

FISHER & PAYKEL

SPECIFICATION GUIDE

COMBINATION STEAM OVEN, 30"



OVERVIEW

Designed to complement our Professional style wall ovens, this built-in Combination Steam Oven is a joy to use, with nine cooking functions and an intuitive touch display. Bringing together the benefits of both convection and steam cooking, it adds more flexibility into the kitchen - with steam functions reducing the need for oils and fats. Pair with other companion products to create a kitchen suite for every need.

MODELS

Combination Steam Oven, 30"

Stainless steel
OS30NPX1

SERIES & STYLE

Series 9
Professional Style

FEATURES

- ① Styled to perfectly match our Professional style kitchen appliances
- ② Pairs perfectly with the Professional style 30" Oven
- ③ Steam cooking allows ingredients to retain their nutrients and moisture, while reducing the need for added oils or fats
- ④ Intuitive touch display for ease of use
- ⑤ Nine oven functions, including five Steam functions, plus Broil and Convection
- ⑥ A CoolTouch door ensures it's safe to touch from the outside, protecting hands
- ⑦ Easy-to-clean stainless steel interior
- ⑧ 1.3 cu ft total gross capacity
- ⑨ Program in desired cooking function and duration with automatic cooking feature

ACCESSORIES

- ④ Baking pan and wire shelf
- ① Perforated tray and lid
- ④ Food probe

FISHER & PAYKEL

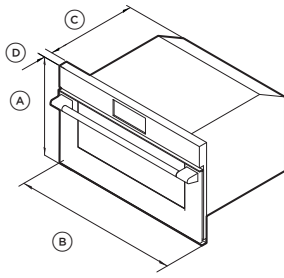
SPECIFICATION GUIDE

COMBINATION STEAM OVEN, 30"

SPECIFICATIONS

Model No.	OS30NPX1
Dimensions	H 18 1/2" (470mm) x W 29 13/16" (757mm) x D 22 3/8" (568mm)
Total capacity	1.3 cu ft (36L)
Electrical	
Supply	120V / 208V - 120V / 240V 60Hz
Service	15 Amp circuit
Receptacle	Hard wired

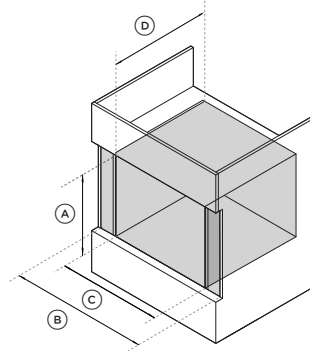
PRODUCT DIMENSIONS



ISO VIEW

	in	mm
Ⓐ Overall height of steam oven	18 1/2	470
Ⓑ Overall width of steam oven	29 13/16	757
Ⓒ Depth of steam oven chassis	20 13/16	528
Ⓓ Depth of steam oven front and control panel	1 9/16	40

CAVITY DIMENSIONS: STANDARD INSTALLATION



ISO VIEW

	in	mm
Ⓐ Minimum inside height of cavity*	18 1/16	459
Ⓑ Minimum inside width of cavity	29 15/16	761
Ⓒ Minimum inside width of inner cavity	22 1/16	560
Ⓓ Minimum inside depth of cavity - proud install	22 1/16	560
Minimum inside depth of cavity - flush install	23 5/8	600

*A spacer must be installed in the base of the cavity, see installation guide for further details.

Note: Ventilation required at the rear of the cavity.