

## Important safety instructions

- Make sure that all levers, handles, knobs, and leg locks are correctly tightened, and that all three legs are fully opened before use.
- Do not carry or transport the tripod with camera equipment attached (for example: over your shoulder or cradled in your arms).
- Do not store or expose your tripod to excessive heat or cold, or use near any flame or fire.
- Do not OIL or GREASE any part of the tripod.
- Do not use any solvents or thinners to clean your tripod. Use only a mild detergent and wipe dry with a soft, lint-free cloth.
- Do not exceed the load limit of this tripod.

## Specifications

Folded length: 22.5" (57.1 cm)

Maximum height: 60" (152.4 cm)

Minimum height: 21.7" (55.2 cm)

Weight: 2.75 lbs (1.25 kg)

Load capacity: 7.7 lbs (3.49 kg)

## One-year limited warranty

For complete warranty go to [www.dynexproducts.com](http://www.dynexproducts.com).

1-800-305-2204 (U.S. and Canada) or 01-800-926-3020 (Mexico)

BEST BUY IMPORTS S. DE R.L. DE C.V.

AVENIDA SANTA FE NO. 440 PISO 2 OFNA 202 Y 203 P3 Y P4

COLONIA SANTA FE CUAJIMALPA, C.P. 05348, DELEGACIÓN

CUAJIMALPA DE MORELOS, MEXICO, DISTRITO FEDERAL

RFC: BBI0802114Q2

DYNEX is a registered trademark of BBY Solutions, Inc. Registered in some countries.

©2013 BBY Solutions, Inc. All Rights Reserved.

# DX-TRP60 60" Tripod

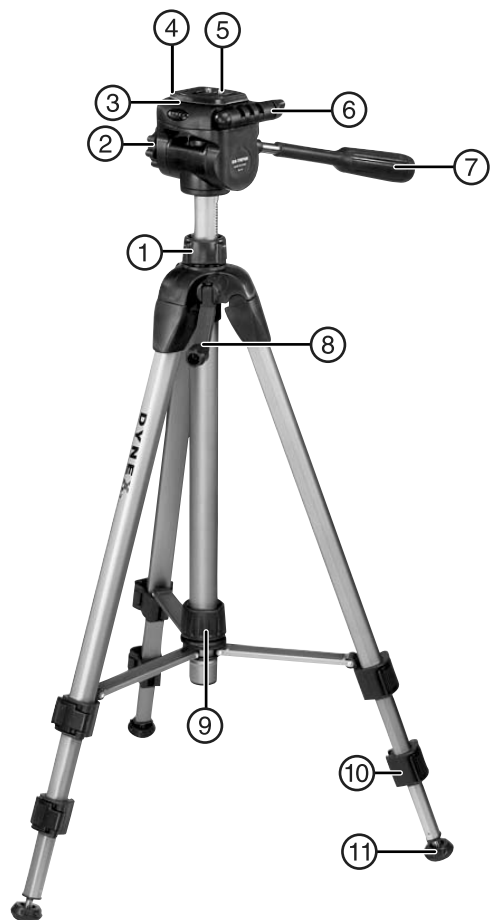


Before using your new product, please read these instructions to prevent any damage.

## Package contents

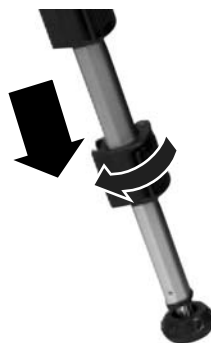
- Tripod (with quick-release plate installed)
- Bag
- Quick-Release Plate
- Quick Setup Guide

## Features



#	Component	Description
1	Elevation locking knob	Locks the center column in place.
2	Pan locking knob	Locks the tripod head so that it will not rotate horizontally.
3	Quick-release plate	Mount your camera to this plate, then mount this plate to the tripod.
4	Leveling bubble	The quick-release plate is level when the bubble is within the circle.
5	Quick-release plate locking lever	Secures the quick-release plate to the tripod.
6	Vertical tilt lock knob	Adjusts vertical tilt up to 90°.
7	Horizontal tilt lock handle	Adjusts horizontal tilt.
8	Elevation crank	Raises and lowers the center column.
9	Locking collar	Locks the tripod legs in place to provide maximum stability & strength.
10	Flip-lever leg locks	Lift to adjust leg height, then close to lock.
11	Rubber foot with retractable leg spike	Provides secure, non-marring footing. Twist rubber feet counter-clockwise to reveal leg spikes.

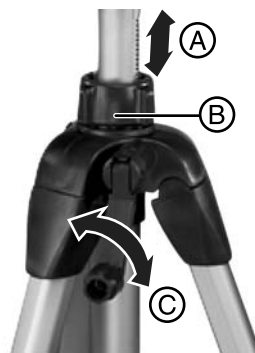
## Using your tripod



- 1 Open the flip-lever leg locks on each leg and extend the legs to the desired length. Open the leg sections from the top down (thickest section first) to reach the desired height. Adjusting the thickest leg sections first gives your tripod more stability and support.
- 2 Close the leg locks to lock each leg at the selected length.

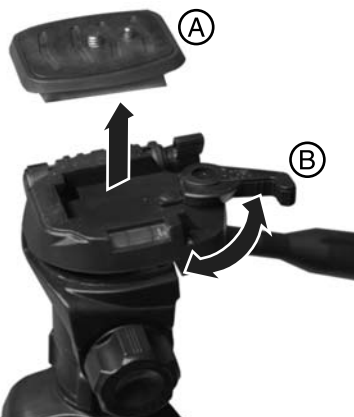
**Caution:** Securing a leg lock incorrectly can cause a leg to

retract unexpectedly and could result in damage to the tripod or equipment mounted on the tripod.



- 3 Loosen the locking collar on the center column, then spread the legs to the preset angle. Set the tripod on a firm surface. Tighten the locking collar to stabilize your tripod. (Close the tripod by loosening the locking collar and pushing in on any leg.)
- 4 Adjust the height of the center column (A) by loosening the elevation locking knob (B),

turning the elevation crank (C) until the center column is at the desired height, then tightening the knob. Turn the locking collar clockwise to lock the center column in place.



- 5 Hold the quick-release plate locking lever (B) open, then lift the mounting plate (A) to remove it.
- 6 Align the bottom of your camera or camcorder with the 1/4" mounting screw and indexing pin (if necessary) on the plate, then secure your camera or camcorder to the plate with the screw. The screw should be tight. The indexing pin retracts if it is not required.

- 7 Open the plate locking lever and slide the plate onto the

tripod head. Push the lever until it stops to secure the plate.

- 8 To adjust vertical tilt, loosen the vertical tilt lock knob, then rotate the plate up to 90° and tighten the knob.
- 9 To adjust horizontal tilt, turn the horizontal tilt lock handle counter-clockwise, tilt the tripod head as desired, and tighten the handle.
- 10 To pan, turn the pan locking knob counter-clockwise, pan the tripod head as desired, then tighten to lock in place or continue panning.

**Note:** For maximum stability, always make sure your camera lens is over a leg.