


# ASSEMBLY INSTRUCTION




## PARTS LIST

[01]




QTY
1

[02]



QTY
1

[03]

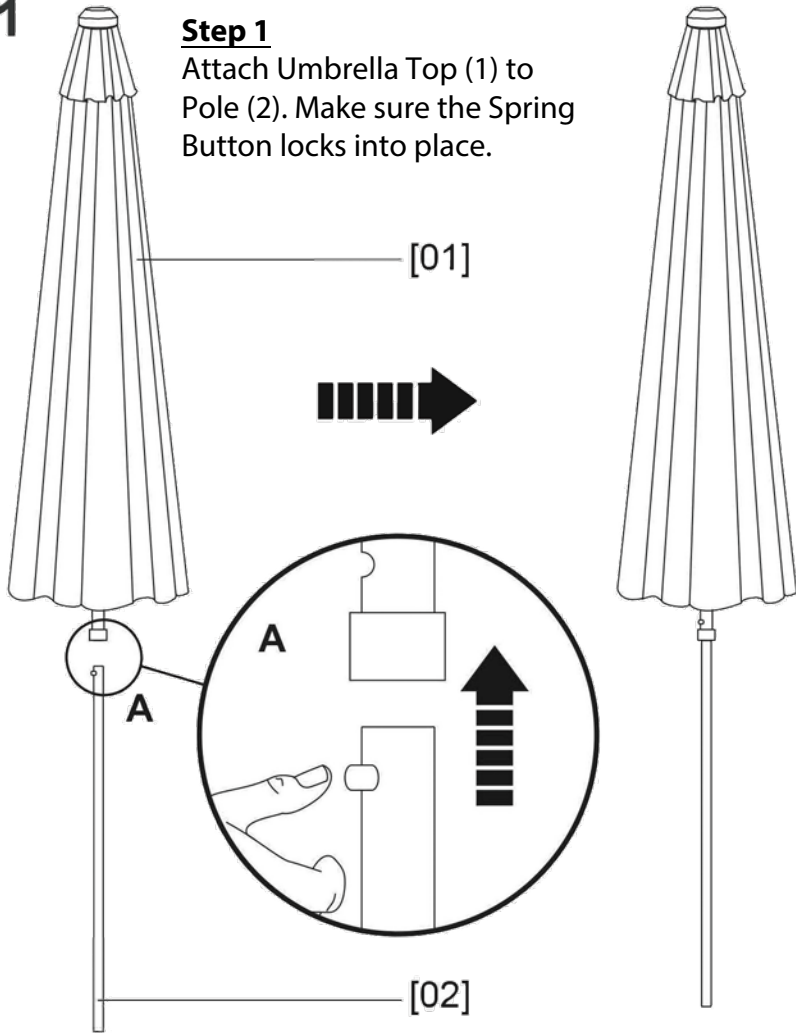


QTY
1

01

**Step 1**

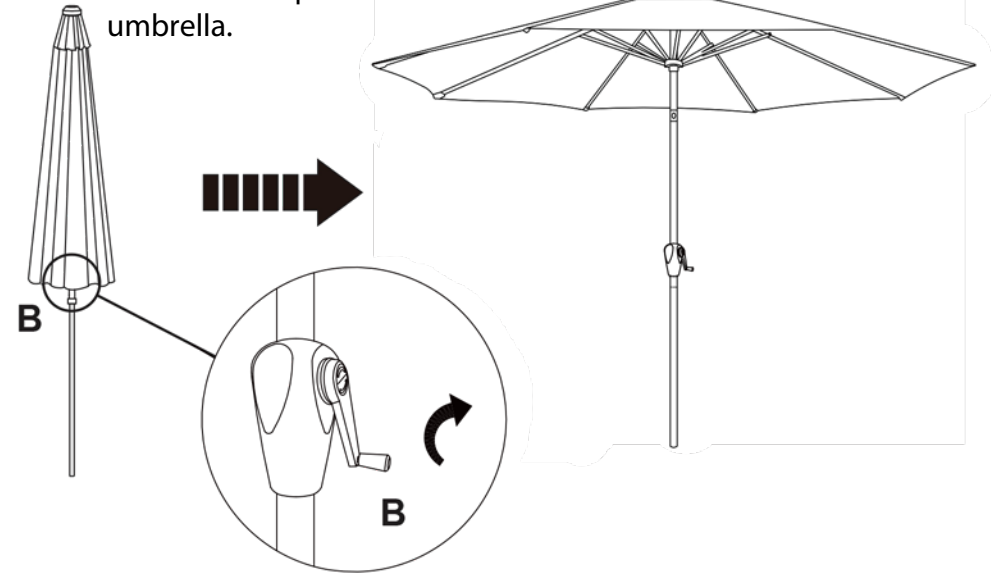
Attach Umbrella Top (1) to Pole (2). Make sure the Spring Button locks into place.



02

**Step 2**

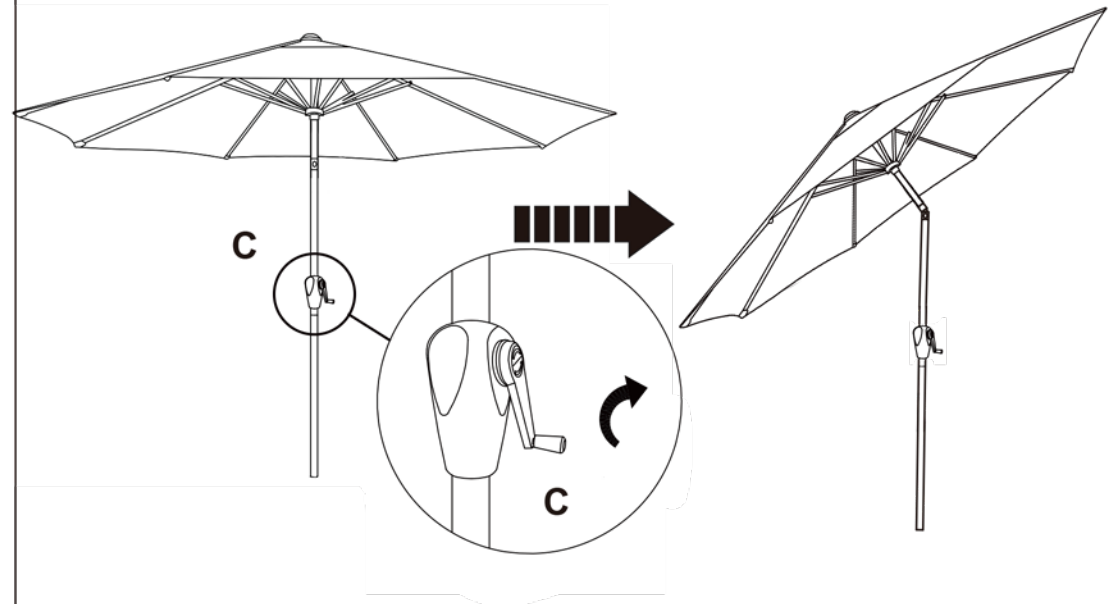
Rotate the Crank Lift (B) clockwise to open the umbrella.



03

**Step 3**

To adjust the umbrella angle, press the Tilt Button (C) and pull towards the desired direction. Release Tilt Button to lock angle in place.



**Warning:**

**Close parasol during windy conditions!**

Keep umbrella fully closed during windy conditions. Store in provided Bag (C) if umbrella will not be used for prolonged periods.