

User Guide | Guide de l'utilisateur | Guía del Usuario



10.4" Digital Picture Frame
Cadre photo numérique de 10,4 po
Marco digital para fotos de 10.4"

NS-DPF10A

Insignia NS-DPF10A Digital Picture Frame

Contents

Welcome	1
Safety information	1
Features	2
Setting up your picture frame	6
Using your picture frame	8
Maintaining your digital picture frame	18
Troubleshooting	18
Specifications	18
Legal Notices	19
6-month limited warranty	21
Français	23
Español	45

Welcome

Congratulations on your purchase of a high-quality Insignia product. Your NS-DPF10A represents the state-of-the-art in digital picture frame design and is designed for reliable and trouble-free performance.

Safety information

Always follow these basic safety precautions when using your digital picture frame. This will reduce the risk of fire, electric shock, and injury.

Warning

To reduce the risk of fire or shock hazard, do not expose your picture frame to rain or moisture.

Warning

To prevent the risk of electric shock, do not remove the cover. There are no user-serviceable parts inside. Refer all servicing to qualified personnel.

- Your picture frame is for indoor use only.
- Unplug your picture frame before performing care and maintenance.
- Do not block the ventilation holes on the back of your picture frame at any time.

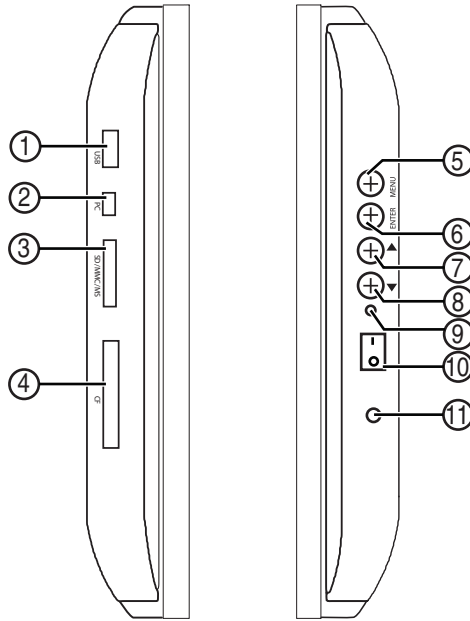
- Keep your picture frame out of direct sunlight and heat sources.
- Protect the power cord. Route power cords so that they are not likely to be walked on or pinched by items placed on or against them. Pay particular attention to the point where the cord attaches to the digital picture frame.
- Only use the AC adapter included with your picture frame. Using any other power adapter will void your warranty.
- Unplug the power cord from the outlet when your picture frame is not in use.

Features

Your digital picture frame features:

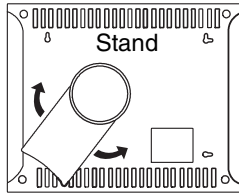
- High resolution 10.4" TFT display
- Image playback in slideshow format
- MP3 audio playback
- MPEG video playback
- Audio slideshow
- Built-in multi-format card reader that reads CF, MMC, SD, MS, MS-Pro, and xD-Picture memory cards
- 256 MB internal memory
- USB port for connecting to a PC
- USB port for connection to devices such as a thumb drive or camera
- Two interchangeable wood frames
- Cleaning cloth
- Remote control with battery

Sides



#	Component	Description
1	USB	Connect an external device, such as a camera or USB flash drive, to this port.
2	PC	Connect a PC to this port.
3	SD/MS/MMC/ xD-Picture	Insert an SD, MS, MMC, or xD-Picture memory card into this slot.
4	CF	Insert a CF memory card into this slot.
5	MENU	Press to open or close the on-screen menu.
6	ENTER	Press to start or pause playback. When the on-screen menu is open, press to confirm selections.
7	▲	Press to navigate up or left in the on-screen menu.
8	▼	Press to navigate down or right in the on-screen menu.
9	Power LED	Lights when your picture frame is turned on.
10	Power switch	Slide to turn your picture frame on or off.
11	Power connector	Plug the AC power adapter into this connector.

Back

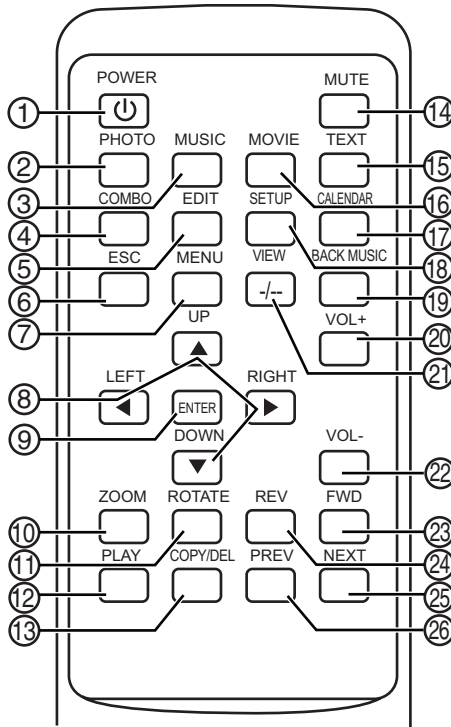


You can use your picture frame in landscape (horizontal) or portrait (vertical) mode.

To change the mode:

- Rotate the stand until it locks into place.
- To remove the stand for wall-mounting, rotate the stand to the center position, then remove.

Remote control



#	Button	Function
1	POWER	Press to turn your picture frame on or off.
2	PHOTO	Press to play a slideshow of pictures.
3	MUSIC	Press to play an MP3 file.
4	COMBO	Press to play a slideshow with background music.
5	EDIT	Press to copy or delete files.
6	ESC	Press to go to the previous command.
7	MENU	Press to open the main menu.
8	Arrow buttons	Press to navigate in on-screen menus.
9	ENTER	Press to confirm selections or save changes.
10	ZOOM	Press to zoom (enlarge) a picture by 20%.
11	ROTATE	Rotate by 90°.
12	PLAY	Press to start or pause slideshow, movie, or audio playback.

#	Button	Function
13	COPY/DEL	Press to copy or delete files.
14	MUTE	Press to mute the audio. Press again to restore the audio.
15	TEXT	Press to play a text file.
16	MOVIE	Press to play a movie (video) clip.
17	CALENDAR	Press to display the calendar.
18	SETUP	Press to change settings.
19	BACK MUSIC	Press to play an MP3 file during a slideshow.
20	VOL+	Press to increase the volume.
21	VIEW	Press to view pictures in thumbnail view. Your picture frame displays three rows of three pictures.
22	VOL-	Press to decrease the volume.
23	FWD	Press to go forward in a slideshow or movie clip.
24	REV	Press to go backward in a slideshow or movie clip.
25	NEXT	Press to go to the next picture in a slideshow.
26	PREV	Press to go to the previous picture in a slideshow.

Setting up your picture frame

Package contents

Make sure that the package contains:

- Digital picture frame unit with removable desktop stand
- AC power adapter
- USB Cable
- Remote control with battery
- Extra wood frame and matting
- Cleaning cloth
- User guide

To set up your picture frame:

- 1 Plug one end of the AC power cord into the power connector on the side of your picture frame, then plug the other end into a power outlet.
- 2 Insert a memory card into the appropriate slot.
- 3 Slide the power switch to the **ON** position. Your picture frame starts playing a slideshow with the pictures stored in its internal memory.

Connecting to a PC

You can connect your picture frame to a PC using the **PC** port. When your picture frame is connected to a PC, you can drag files from the PC to your picture frame. The files are stored in your picture frame's internal memory. You can also delete files from your picture frame's memory.

When your picture frame is connected to a PC, the slideshow of pictures in internal memory stops.

To connect to a PC:

- Plug one end the USB cable into the **PC** port on the side of your picture frame, then plug the other end of the cable into a USB port on your PC.

Note

When your picture frame is connect to a PC, your picture frame's internal memory and any inserted memory cards appear as drives in My Computer and Windows Explorer.

Connecting to an external device

You can connect your picture frame to an external device such as a thumb drive, card reader, or camera. When your picture frame is connected to an external device, you can play the file on the device from the MAIN MENU.

To connect an external device:

- Plug one end of the USB cable into the **USB** port on the side your picture frame, then plug the other end into the USB port on the external device.

Note

Some devices, such as USB thumb drives, do not require the use of the USB cable.

Using your picture frame

Your picture frame can display pictures or video and can play MP3 files.

Using the on-screen menu

To access the on-screen menu:

- 1 Press **MENU**. The MAIN MENU opens.



- 2 Press the arrow buttons to select an option, then press **ENTER**. A screen opens that lets you change the option. A third screen may appear, depending on the option.

Playing a slideshow

To play a slideshow:

- 1 On the main menu, select **Picture**, then press **ENTER**. A screen opens that lists the types of media you can select.



- 2 Press the arrow buttons to select the media that has the pictures you want to play, then press **ENTER**. To access your picture frame's internal memory, select **Memory**. A screen opens that lists the names of the files on the media you selected.



- 3 Press **ENTER** to start playback with the first file. Your picture frame plays the files in a slideshow format.
- 4 If you want to manually control playback, press **PLAY**, then press **NEXT** or **PREV** to select a picture you want to play.
- 5 If you want to enlarge a picture, press **ZOOM**. Each time you press **ZOOM**, the picture enlarges by 20%. After you enlarge a picture, you can use the arrow buttons to move the picture around so you can center the portion of the picture you want to view.
- 6 Press **MENU** to end and go to the main menu.

Playing MP3 files

To play MP3 files:

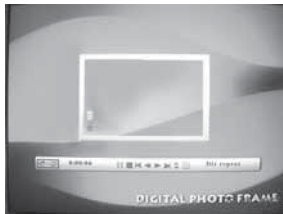
- 1 On the main menu, select **Music**, then press **ENTER**. A screen opens that lists the types of media you can select.



- 2 Press the arrow buttons to select the media that has the MP3 files you want to play, then press **ENTER**. To access your picture frame's internal memory, select **Memory**.
- 3 Press **ENTER**. A screen appears that lists the MP3 files on the media you selected.



- 4 Press **ENTER** to start playback with the first MP3 file.
- 5 Press **PLAY** to pause playback.



- 6 Press the arrow buttons to navigate through the controls, then press **ENTER** to select the option.
- 7 Press **MENU** to end and go to the main menu.

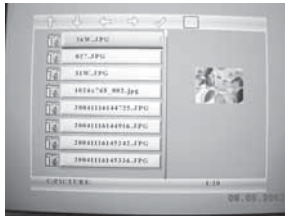
Playing a slideshow with music

To play a slideshow with music:

- 1 On the main menu, select **Combo**, then press **ENTER**. A screen opens that lists the types of media you can select.



- 2 Press the arrow buttons to select the media that has the files you want to play, then press **ENTER**. To access your picture frame's internal memory, select **Memory**.
- 3 Press **ENTER**. A screen appears that lists the picture and MP3 files on the media you selected.



- 4 Press **ENTER** to start playback. Your picture frame plays the pictures in a slideshow format while the selected MP3 file plays in the background.
- 5 Press **PLAY** to pause the slideshow and MP3 playback.
- 6 Press **MENU** to end and go to the main menu.

Playing a movie clip

To play a movie clip:

- 1 On the main menu, select **Movie**, then press **ENTER**. A screen opens that lists the types of media you can select.



- 2 Press the arrow buttons to select the media that has the movie clip you want to play, then press **ENTER**. To access your picture frame's internal memory, select **Memory**.
- 3 Press **ENTER**. A screen appears that lists the movie clips on the media you selected.



- 4 Press **ENTER** to start playback. Your picture frame starts playing the first movie clip.
- 5 Press **PLAY** to pause playback. Press this button again to resume playback. If you press **ENTER**, a screen appears with information about the movie clip.
- 6 Press **MENU** to end and go to the main menu.

Viewing a text file

You can view text files that are in ASCII format. You can create ASCII files in Window Notepad.

To view a text file:

- 1 On the main menu, select **Text**, then press **ENTER**.
- 2 Press the arrow buttons to select the media that has the text file you want to view, then press **ENTER**. To access your picture frame's internal memory, select **Memory**.

- 3 Press **ENTER**. A screen appears that lists the text files on the media you selected.
- 4 Press **ENTER** to start playback. Your picture frame starts playing the first text file.
- 5 Press the arrow buttons to navigate through the text file.
- 6 Press **MENU** to end and go to the main menu.

Copying or deleting files

You can copy files from an external source to your picture frame's memory and delete files from your picture frame's memory.

To copy or delete files:

- 1 On the main menu, select **EDIT**, then press **ENTER**.
- 2 Select the media which you want to copy from, then press **ENTER**.
- 3 Press up or down arrow button to navigate through your files.
- 4 Select the files you want to copy by pressing the right arrow button. The file you selected is tagged with a "paw."
- 5 Press the left arrow button to return to the Media menu.
- 6 Select device you want to copy the files to, then press **ENTER**.
- 7 Press **COPY/DEL**, select the briefcase icon (copy) or trashcan icon (delete), then press **ENTER**.
- 8 When you see *Finished!*, press **ENTER**.

Note

You cannot copy and delete at the same time. Make sure that all the files that you select are files you want to copy or files you want to delete.

Adjusting picture frame settings

You can:

- Select a language for the on-screen menu
- Manage slideshow settings
- Adjust clock and alarm settings
- Set startup options
- Adjust video settings
- Restore default settings
- View the software version

To use the Setup option:

- 1 On the main menu, select **Setup**, then press **ENTER**.
- 2 Press the arrow buttons to select the option you want to adjust, then press **ENTER**. You can select:
 - **Language**—See “Selecting the language” on page 14.
 - **Picture Set**—See “Setting the slideshow display rate” on page 15 and “Setting the picture transitions” on page 15.
 - **Clock Set**—See “Setting the clock” on page 15.
 - **Alarm Set**—See “Setting the alarm” on page 16.
 - **Start Up Set**—See “Setting start up options” on page 16.
 - **Video Set**—See “Adjusting video settings” on page 16.
 - **Default Set**—“Restoring default settings” on page 17.
 - **Version**—See “Viewing the software version” on page 17.
- 3 Press the arrow buttons to adjust the option, then press **ENTER**.

Selecting the language

Press the arrow buttons to select the language for the on-screen menu.



Setting the slideshow display rate

Select **Picture Set**, press the up or down arrow button to highlight **Slide show speed**, then press **ENTER** to display the rate option (the amount of time a picture is displayed before the next picture appears). Press the up or down arrow button to select a rate, then press **ENTER**.



Setting the picture transitions

Press the up or down arrow button to highlight **Slide show Transition**, then press **ENTER**. Press the up or down arrow button to select a transition option, then press **ENTER**.



Setting the clock

Your picture frame displays the time in the lower right corner. Press the arrow buttons to set the time.



Setting the alarm

Press the arrow buttons to set the alarm time, select the number of rings you want to hear when the alarm goes off, and turn the alarm on or off.



Setting start up options

You can select what you want to see or hear when you turn on your picture frame.

Press the arrow buttons to select the start up option you want.



Adjusting video settings

You can adjust the brightness, contrast, and color saturation.

Press the up or down arrow button to select the video option you want to adjust, then press the right or left arrow button to adjust the option.



Restoring default settings

You can restore all settings to the factory defaults.

Press the right arrow to highlight **Default Set**, then press **ENTER**.



Viewing the software version

You can view the software version for your picture frame.



Changing the decorative frame

Your picture frame has interchangeable decorative frames.

To change the decorative frame:

- 1** Remove the four screws on the back of your picture frame.
- 2** Lift the digital picture frame away from the wooden frame.
- 3** Slide the digital picture frame into the new wooden frame.
- 4** Replace and tighten the four screws.

Maintaining your digital picture frame

Cleaning the LCD Screen

Treat the screen gently. The screen is made of glass and can be scratched or broken. To clean fingerprints or dust from the LCD screen, we recommend using the cloth provided or a soft, non-abrasive cloth such as a camera lens cloth. If you use a commercial LCD cleaning kit, do not apply the cleaning liquid directly to the LCD screen. Clean the LCD screen with the cleaning cloth moistened with the liquid.

Cleaning the digital picture frame

Clean the outer surface of the digital picture frame (excluding the screen) with a soft cloth dampened with water.

Troubleshooting

If your picture frame is not working correctly, turn it off, wait a few seconds, then turn it back on again.

Specifications

Specification subject to change without notice.

Function	Specification
Screen size	10.4"
Resolution	640 × 480
AC input power	100-240 VAC, 50/60 Hz
DC unit power	12 VDC@1.5A
Built-in speakers	Stereo
Images	JPG
Audio	MP3
Video	MPEG
Card reader	CF MMC SD xD-Picture MS
USB ports	To PC (1) To devices (1)

Function	Specification
Internal memory	256 MB
Remote control	Yes

Legal Notices

This product complies with requirements set forth in the FCC Rules and Regulations part 15, Subpart B and the measurement procedure according to ANSI C63.4.

6-month limited warranty

Insignia Products (“Insignia”) warrants to you, the original purchaser of this new **NS-DPF10A** (“Product”), that the Product shall be free of defects in the original manufacture of the material or workmanship for a period of 6 months from the date of your purchase of the Product (“Warranty Period”). This Product must be purchased from an authorized dealer of Insignia brand products and packaged with this warranty statement. This warranty does not cover refurbished Product. If you notify Insignia during the Warranty Period of a defect covered by this warranty that requires service, terms of this warranty apply.

How long does the coverage last?

The Warranty Period lasts for 6 months from the date you purchased the Product. The purchase date is printed on the receipt you received with the Product.

What does this warranty cover?

During the Warranty Period, if the original manufacture of the material or workmanship of the Product is determined to be defective by an authorized Insignia repair center or store personnel, Insignia will (at its sole option): (1) repair the Product with new or rebuilt parts; or (2) replace the Product at no charge with new or rebuilt comparable products or parts. Products and parts replaced under this warranty become the property of Insignia and are not returned to you. If service of Products or parts are required after the Warranty Period expires, you must pay all labor and parts charges. This warranty lasts as long as you own your Insignia Product during the Warranty Period. Warranty coverage terminates if you sell or otherwise transfer the Product.

How to obtain warranty service?

If you purchased the Product at a retail store location, take your original receipt and the Product to the store you purchased it from. Make sure that you place the Product in its original packaging or packaging that provides the same amount of protection as the original packaging. If you purchased the Product from an online web site, mail your original receipt and the Product to the address listed on the web site. Make sure that you put the Product in its original packaging or packaging that provides the same amount of protection as the original packaging.

To obtain in-home warranty service for a television with a screen 25 inches or larger, call 1-888-BESTBUY. Call agents will diagnose and correct the issue over the phone or will have an Insignia-approved repair person dispatched to your home.

Where is the warranty valid?

This warranty is valid only to the original purchaser of the product in the United States and Canada.

What does the warranty not cover?

This warranty does not cover:

- Customer instruction
- Installation
- Set up adjustments
- Cosmetic damage
- Damage due to acts of God, such as lightning strikes
- Accident
- Misuse
- Abuse
- Negligence
- Commercial use

- Modification of any part of the Product, including the antenna
- Plasma display panel damaged by static (non-moving) images applied for lengthy periods (burn-in).

This warranty also does not cover:

- Damage due to incorrect operation or maintenance
- Connection to an incorrect voltage supply
- Attempted repair by anyone other than a facility authorized by Insignia to service the Product
- Products sold as is or with all faults
- Consumables, such as fuses or batteries
- Products where the factory applied serial number has been altered or removed

REPAIR REPLACEMENT AS PROVIDED UNDER THIS WARRANTY IS YOUR EXCLUSIVE REMEDY. INSIGNIA SHALL NOT BE LIABLE FOR ANY INCIDENTAL OR CONSEQUENTIAL DAMAGES FOR THE BREACH OF ANY EXPRESS OR IMPLIED WARRANTY ON THIS PRODUCT, INCLUDING, BUT NOT LIMITED TO, LOST DATA, LOSS OF USE OF YOUR PRODUCT, LOST BUSINESS OR LOST PROFITS. INSIGNIA PRODUCTS MAKES NO OTHER EXPRESS WARRANTIES WITH RESPECT TO THE PRODUCT, ALL EXPRESS AND IMPLIED WARRANTIES FOR THE PRODUCT, INCLUDING, BUT NOT LIMITED TO, ANY IMPLIED WARRANTIES OF AND CONDITIONS OF MERCHANTABILITY AND FITNESS FOR A PARTICULAR PURPOSE, ARE LIMITED IN DURATION TO THE WARRANTY PERIOD SET FORTH ABOVE AND NO WARRANTIES, WHETHER EXPRESS OR IMPLIED, WILL APPLY AFTER THE WARRANTY PERIOD. SOME STATES, PROVINCES AND JURISDICTIONS DO NOT ALLOW LIMITATIONS ON HOW LONG AN IMPLIED WARRANTY LASTS, SO THE ABOVE LIMITATION MAY NOT APPLY TO YOU. THIS WARRANTY GIVES YOU SPECIFIC LEGAL RIGHTS, AND YOU MAY ALSO HAVE OTHER RIGHTS, WHICH VARY FROM STATE TO STATE OR PROVINCE TO PROVINCE.

Contact Insignia:

For customer service please call 1-877-467-4289

www.insignia-products.com

INSIGNIA™ is a trademark of Best Buy Enterprise Services, Inc.

Distributed by Best Buy Purchasing, LLC.

Insignia, 7601 Penn Avenue South, Richfield, Minnesota, U.S.A.

Cadre photo numérique Insignia NS-DPF10A

Table des matières

Bienvenue	23
Informations sur la sécurité	23
Fonctionnalités	24
Installation du cadre photo numérique	28
Fonctionnement du cadre photo numérique	30
Entretien du cadre photo numérique	40
Problèmes et solutions	40
Spécifications	41
Avis juridiques	41
Garantie limitée de six (6) mois	43

Bienvenue

Félicitations d'avoir acheté ce produit Insignia de haute qualité. Le modèle NS-DPF10A représente la dernière avancée technologique dans la conception cadres photos numériques et a été conçu pour des performances et une fiabilité exceptionnelles.

Informations sur la sécurité

Toujours observer ces précautions de sécurité élémentaires lors de l'utilisation du cadre photo numérique. Cela permettra de diminuer les risques d'incendie, de choc électrique et de blessures.

Avertissement

Afin de réduire le risque d'incendie et de choc électrique, ne pas exposer cet appareil à la pluie ou l'humidité.

Avertissement

Afin de réduire le risque de choc électrique, ne pas enlever le couvercle. Aucune pièce interne ne peut être réparée par l'utilisateur. Toutes les réparations doivent être réalisées par un personnel qualifié.

- Le cadre photo numérique est conçu uniquement pour une utilisation à l'intérieur.
- Débrancher le cadre photo numérique avant tout nettoyage ou entretien.
- Ne jamais obstruer les orifices de ventilation à l'arrière du cadre photo numérique.

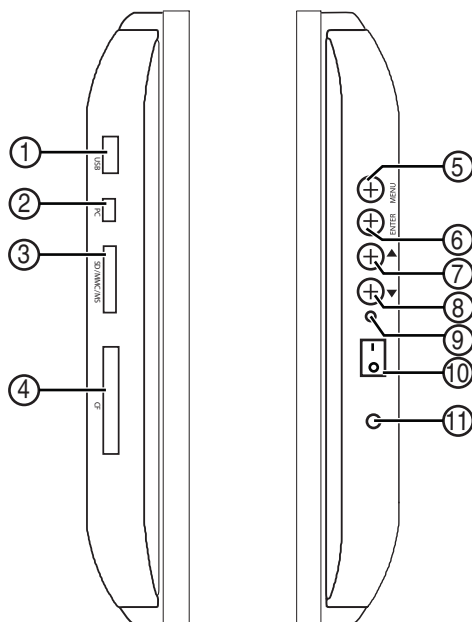
- Maintenir le cadre photo numérique à l'écart de la lumière solaire directe et des sources de chaleur.
- Protéger le cordon d'alimentation. Les cordons d'alimentation électrique doivent être acheminés afin que personne ne puisse marcher dessus et qu'aucun objet posé dessus ne vienne les entraver. Prêter une attention toute particulière au point de raccordement du cordon au cadre photo numérique.
- N'utiliser que l'adaptateur CA fourni avec le cadre photo numérique. L'utilisation d'un autre adaptateur d'alimentation aura pour effet d'annuler la garantie.
- Débrancher le cordon d'alimentation de la prise secteur quand le cadre photo numérique n'est pas utilisé.

Fonctionnalités

Fonctionnalités du cadre photo numérique :

- Affichage haute résolution TFT de 10,4 po
- Visualisation des photos au format présentation
- Lecture audio de MP3
- Reproduction de vidéo MPEG
- Présentation sonorisée de photos
- Lecteur de cartes intégré multiformat pour la lecture des cartes mémoires CF, MMC, SD, MS, MS-Pro et xD-Picture
- Mémoire interne de 256 Mo
- Port USB pour la connexion à un PC
- Port USB pour la connexion à des périphériques tels qu'une clef USB ou un appareil photo
- Deux encadrements en bois interchangeables
- Chiffon de nettoyage
- Télécommande avec pile

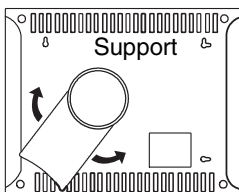
Côtés



#	Composant	Description
1	USB	Connecter à ce port un périphérique externe, tel qu'un appareil de photo ou un lecteur USB à mémoire flash.
2	PC	Connecter un PC à ce port.
3	Fente pour cartes SD/MS/MMC/xD-Picture	Insérer une carte mémoire SD, MCC ou xD-Picture dans cette fente.
4	CF	Insérer une carte mémoire CF dans cette fente.
5	MENU	Permet d'afficher ou de fermer le menu d'écran.
6	ENTRÉE	Permet de démarrer ou de mettre en pause la lecture. Lorsque le menu d'écran est affiché, permet de confirmer les sélections.
7	▲	Permet de parcourir le menu d'écran vers le haut ou sur la gauche.
8	▼	Permet de parcourir le menu d'écran vers le bas ou sur la droite.
9	DEL témoin d'alimentation	S'allume quand le cadre photo est mis sous tension.

#	Composant	Description
10	Interrupteur Marche/Arrêt	Le déplacer pour la mise sous ou hors tension du cadre photo.
11	Connecteur d'alimentation	Brancher le cordon d'alimentation CA sur cette prise.

Arrière

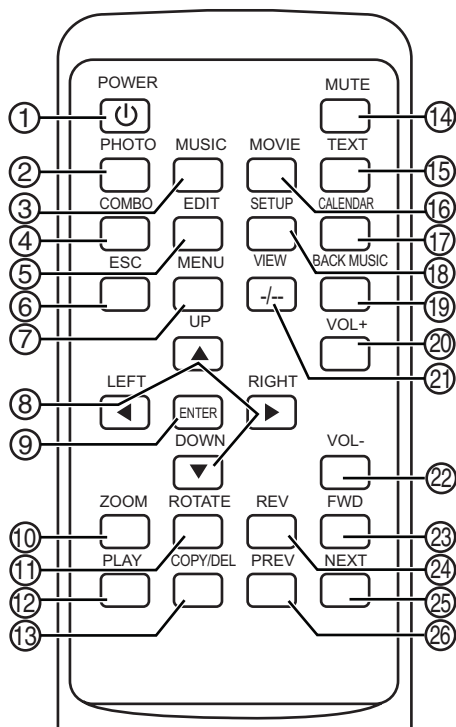


Le cadre photo peut être utilisé en mode paysage (horizontal) ou portrait (vertical).

Pour modifier le mode :

- Faire pivoter le support jusqu'à ce qu'il s'enclenche en position.
- Pour un montage mural, faire pivoter le support pour le mettre en position centrale afin de le retirer.

Télécommande



#	Touche	Fonction
1	MARCHE/ARRÊT	Permet d'allumer ou d'éteindre le cadre photo.
2	PHOTO	Permet de lancer une présentation de photos.
3	MUSIQUE	Permet de lire un fichier MP3.
4	COMBO	Permet de jouer de la musique d'arrière-plan pendant une présentation de photos.
5	ÉDITER	Pour copier ou supprimer des fichiers.
6	Touche d'échappement	Permet de revenir à la commande précédente.
7	MENU	Permet d'afficher le menu principal.
8	Touches directionnelles	Utiliser ces touches pour parcourir les menus d'écran.
9	ENTRÉE	Permet de confirmer les sélections ou d'enregistrer les modifications.
10	ZOOM	Permet d'agrandir (zoom) une photo de 20 %.

#	Touche	Fonction
11	PIVOTEMENT	Pivotement de 90°.
12	LECTURE	Permet de commencer ou d'arrêter momentanément une présentation de photos, un film ou la lecture audio.
13	COPIER/ SUPPRIMER	Pour copier ou supprimer des fichiers.
14	SOURDINE	Permet de mettre le son en sourdine. Permet de restaurer le son.
15	TEXTE	Permet de visualiser un fichier texte.
16	FILM	Permet de reproduire une séquence de film (vidéo).
17	CALENDRIER	Permet d'afficher le calendrier.
18	CONFIGURATION	Permet de modifier les paramètres.
19	MUSIQUE DE FOND	Permet de jouer un fichier MP3 pendant une présentation de photos.
20	VOL+	Permet d'augmenter le volume sonore.
21	VISUALISATION	Permet d'afficher les photos au format vignette. Le cadre photo affiche trois rangées de trois photos.
22	VOL-	Permet de diminuer le volume sonore.
23	AVANCER	Permet d'avancer dans une présentation ou une séquence de film.
24	RETOUR	Permet de revenir en arrière dans une présentation ou une séquence de film.
25	SUIVANT	Permet d'aller à la photo suivante dans une présentation.
26	PRÉCÉDENT	Permet de revenir à la photo précédente dans une présentation.

Installation du cadre photo numérique

Contenu de la boîte

Vérifier que l'emballage contient :

- Cadre photo numérique avec support de bureau amovible
- Adaptateur d'alimentation CA
- Câble USB
- Télécommande avec pile
- Cadre en bois supplémentaire avec passe-partout

- Chiffon de nettoyage
- Guide de l'utilisateur

Pour installer le cadre photo numérique :

- 1 Brancher une extrémité du cordon d'alimentation CA sur la prise située sur le côté du cadre photo et l'autre extrémité sur une prise secteur.
- 2 Insérer une carte mémoire dans la fente appropriée.
- 3 Mettre l'interrupteur marche-arrêt sur **ON** (Marche). Le cadre photo commence une présentation à partir des photos enregistrées sur la mémoire interne.

Connexion à un PC

Le cadre photo peut être connecté à un PC en utilisant le port **PC**. Quand le cadre photo est connecté à un PC, il est possible de faire glisser les fichiers du PC vers le cadre photo. Les fichiers sont alors enregistrés dans la mémoire interne du cadre photo. Il est également possible de supprimer des fichiers et de la mémoire du cadre photo.

Quand le cadre photo est connecté à un PC, la présentation de photos de la mémoire interne s'arrête.

Pour se connecter à un PC :

- Brancher une extrémité du câble USB sur le port **PC** situé sur le côté du cadre photo, puis brancher l'autre extrémité sur un des ports USB du PC.

Remarque

Quand le cadre photo est connecté à un PC, la mémoire interne du cadre photo ainsi que les cartes mémoire s'affichent sous forme de lecteurs dans le Poste de travail (My Computer) et l'explorateur Windows (Windows Explorer).

Connexion d'un périphérique :

Il est possible de connecter le cadre photo à un périphérique tel que qu'une clé USB, un lecteur de cartes ou un appareil de photo. Quand le cadre photo est connecté à un périphérique, il est possible de reproduire le fichier de ce dernier à partir du menu principal (MAIN MENU).

Pour connecter un périphérique :

- Brancher une extrémité du câble USB sur le port **USB** situé sur le côté du cadre photo, puis brancher l'autre extrémité sur un des ports USB du périphérique.

Remarque

Certains périphériques, tels que les clés USB, ne nécessitent pas de câbles USB.

Fonctionnement du cadre photo numérique

Le cadre photo peut afficher des photos ou des vidéos et reproduire des fichiers MP3.

Utilisation du menu d'écran

Pour accéder au menu d'écran :

- 1 Appuyer sur **MENU**. Le Menu principal (MAIN MENU) s'affiche.



- 2 Utiliser les touches directionnelles pour sélectionner une option, puis appuyer sur **ENTER** (Entrée). Une fenêtre s'affiche permettant de modifier l'option.
Une troisième fenêtre peut s'afficher, en fonction de l'option.

Présentation de photos

Pour effectuer une présentation de photos :

- 1 Dans le menu principal, sélectionner **Picture** (Photo), puis appuyer sur **ENTER** (Entrée). Une fenêtre s'affiche avec la liste des types de médias qui peuvent être sélectionnés.



- 2 Utiliser les touches directionnelles pour sélectionner le média qui a les photos souhaitées pour la présentation, puis appuyer sur **ENTER**. Pour accéder à la mémoire interne du cadre photo, sélectionner **Memory** (Mémoire). Une fenêtre s'affiche avec la liste des noms de fichiers sur le média sélectionné.



- 3 Appuyer sur **ENTER** pour commencer la lecture du premier fichier. Le cadre photo reproduit les fichiers au format présentation.
- 4 Pour contrôler manuellement la lecture, appuyer sur **PLAY** (Lecture), puis sur **NEXT** (Suivant) ou **PREV** (Précédent) pour sélectionner la photo souhaitée.
- 5 Pour agrandir une photo, appuyer sur **ZOOM**. Chaque fois que la touche **ZOOM** est appuyée, la photo s'agrandit de 20 %. Quand une photo a été agrandie, il est possible de la déplacer sur l'écran à l'aide des touches directionnelles, afin de pouvoir centrer la partie à visualiser.
- 6 Appuyer sur **MENU** pour terminer et revenir au menu principal.

Lecture de fichiers MP3

Pour lire des fichiers MP3 :

- 1 Dans le menu principal, sélectionner **Music** (Musique), puis appuyer sur **ENTER** (Entrée). Une fenêtre s'affiche avec la liste des types de médias qui peuvent être sélectionnés.



- 2 Utiliser les touches directionnelles pour sélectionner le média qui a les fichiers MP3 souhaités, puis appuyer sur **ENTER**. Pour accéder à la mémoire interne du cadre photo, sélectionner **Memory** (Mémoire).
- 3 Appuyer sur **ENTER** (Entrée). Une fenêtre s'affiche avec la liste des fichiers MP3 sur le média sélectionné.



- 4 Appuyer sur **ENTER** pour commencer la lecture du premier fichier MP3.
- 5 Appuyer sur **PLAY** (Lecture) pour arrêter momentanément la lecture.



- 6 Utiliser les touches directionnelles pour parcourir les commandes, puis appuyer sur **ENTER** (Entrée) pour sélectionner l'option.
- 7 Appuyer sur **MENU** pour terminer et revenir au menu principal.

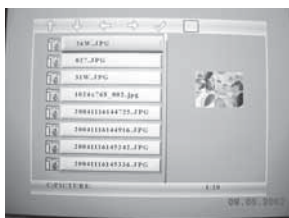
Présentation de photos avec accompagnement musical

Pour effectuer une présentation de photos avec accompagnement musical :

- 1 Dans le menu principal, sélectionner **Combo**, puis appuyer sur **ENTER** (Entrée). Une fenêtre s'affiche avec la liste des types de médias qui peuvent être sélectionnés.



- 2 Utiliser les touches directionnelles pour sélectionner le média qui a les fichiers souhaités, puis appuyer sur **ENTER**. Pour accéder à la mémoire interne du cadre photo, sélectionner **Memory** (Mémoire).
- 3 Appuyer sur **ENTER** (Entrée). Une fenêtre s'affiche avec la liste des photos et des fichiers MP3 sur le média sélectionné.



- 4 Appuyer sur **ENTER** pour commencer la lecture. Le cadre photo affiche les photos au format présentation avec le fichier MP3 reproduit en musique de fond.
- 5 Appuyer sur **PLAY** (Lecture) pour arrêter momentanément la présentation de photos et la lecture de MP3.
- 6 Appuyer sur **MENU** pour terminer et revenir au menu principal.

Reproduction d'une séquence de film

Pour reproduire une séquence de film

- 1 Dans le menu principal, sélectionner **Movie** (Film), puis appuyer sur **ENTER** (Entrée). Une fenêtre s'affiche avec la liste des types de médias qui peuvent être sélectionnés.



- 2 Utiliser les touches directionnelles pour sélectionner la séquence de film souhaitée, puis appuyer sur **ENTER**. Pour accéder à la mémoire interne du cadre photo, sélectionner **Memory** (Mémoire).
- 3 Appuyer sur **ENTER** (Entrée). Une fenêtre s'affiche avec la liste des séquences de film sur le média sélectionné.



- 4 Appuyer sur **ENTER** pour commencer la lecture. Le cadre photo commence à reproduire la première séquence de film.
- 5 Appuyer sur **PLAY** (Lecture) pour arrêter momentanément la lecture. Appuyer de nouveau sur cette touche pour reprendre la lecture. En appuyant sur **ENTER** (Entrée) une fenêtre s'affiche avec l'information sur la séquence de film.
- 6 Appuyer sur **MENU** pour terminer et revenir au menu principal.

Visualisation d'un fichier texte

Il est possible de visualiser des fichiers texte au format ASCII. Les fichiers au format ASCII peuvent être créés en utilisant le Bloc-notes (Notepad) de Windows.

Pour visualiser un fichier texte :

- 1 Dans le menu principal, sélectionner **Text** (Texte), puis appuyer sur **ENTER** (Entrée).
- 2 Utiliser les touches directionnelles pour sélectionner le média qui a le fichier texte souhaité, puis appuyer sur **ENTER**. Pour accéder à la mémoire interne du cadre photo, sélectionner **Memory** (Mémoire).
- 3 Appuyer sur **ENTER** (Entrée). Une fenêtre s'affiche avec la liste des fichiers textes sur le média sélectionné.
- 4 Appuyer sur **ENTER** pour commencer la lecture. Le cadre photo commence à afficher le premier fichier texte.
- 5 Utiliser les touches directionnelles pour parcourir le fichier texte.
- 6 Appuyer sur **MENU** pour terminer et revenir au menu principal.

Copie ou suppression de fichiers

Il est possible de copier des fichiers à partir d'une source externe dans la mémoire du cadre photo ou de supprimer des fichiers de la mémoire.

Pour copier ou supprimer des fichiers :

- 1 Dans le menu principal, sélectionner **EDIT** (Éditer), puis appuyer sur **ENTER** (Entrée).
- 2 Sélectionner le média à partir duquel la copie va se faire, puis appuyer sur **ENTER**.
- 3 Utiliser les touches directionnelles haut ou bas pour parcourir les fichiers.
- 4 Sélectionner les fichiers à copier en appuyant sur la touche directionnelle droite. Le fichier sélectionné est identifié par une « main ».
- 5 Appuyer sur la touche directionnelle gauche pour revenir au menu Media (Média).
- 6 Sélectionner le média à partir duquel la copie va se faire, puis appuyer sur **ENTER**.

- 7 Appuyer sur **COPY/DEL** (Copier/Supprimer), sélectionner l'icône Porte-documents (copier) ou l'icône de la poubelle (supprimer), puis appuyer sur **ENTER**.
- 8 Quand le message *Finished!* (Terminé!) s'affiche, appuyer sur **ENTER**.

Remarque

Il n'est pas possible de copier et de supprimer en même temps. Vérifier que tous les fichiers sélectionnés sont bien des fichiers à copier ou à supprimer.

Réglages de l'image du cadre photo

Il est possible de :

- Sélectionner une langue pour le menu d'écran.
- Gérer les paramètres de la présentation
- Régler les paramètres de l'horloge et de l'alarme
- Définir les options au démarrage
- Régler les paramètres vidéo
- Restaurer les paramètres par défaut
- Visualiser la version du logiciel

Pour utiliser l'option Setup (Configuration) :

- 1 Dans le menu principal, sélectionner **Setup** (Configuration), puis appuyer sur **ENTER** (Entrée).
- 2 Utiliser les touches directionnelles pour sélectionner une option à régler, puis appuyer sur **ENTER** (Entrée). Sélections possibles :
 - **Language** (Langue) – Voir « Sélection de la langue » à la 37.
 - **Picture Set** (Réglage de l'affichage photo) – Voir « Configuration du délai d'affichage pendant la présentation » à la 37.
 - **Clock Set** (Réglage de l'horloge) – Voir « Réglage de l'horloge » à la 38.
 - **Alarm Set** (Réglage de l'alarme) – Voir « Réglage de l'alarme » à la 38.
 - **Start Up Set** (Configuration du démarrage) – Voir « "Setting start up options" on page 16 » à la .
 - **Video Set** (Réglage de la vidéo) – Voir « Réglage des paramètres vidéo » à la 39.
 - **Default Set** (Paramètres par défaut) – Voir « Restauration des paramètres par défaut » à la 39.
 - **Version** – Voir « Visualiser la version du logiciel » à la 39.
- 3 Utiliser les touches directionnelles pour régler une option, puis appuyer sur **ENTER** (Entrée).

Sélection de la langue

Utiliser les touches directionnelles pour sélectionner la langue du menu d'écran.



Configuration du délai d'affichage pendant la présentation

Sélectionner **Picture Set** (Réglage de l'affichage photo), utiliser les touches directionnelles pour mettre en surbrillance **Slide show speed** (Délai d'affichage de la présentation), puis appuyer sur **ENTER** (Entrée) pour afficher l'option du délai d'affichage (durée pendant laquelle une photo est affichée avant le passage à la photo suivante). Utiliser les touches directionnelles haut ou bas pour sélectionner un délai, puis sur **ENTER**.



Réglage de la transition entre les photos

Utiliser les touches directionnelles haut ou bas pour mettre en surbrillance **Slide show Transition** (Effet de transition de la présentation), puis appuyer sur **ENTER** (Entrée). Utiliser les touches directionnelles haut ou bas pour sélectionner une option de transition, puis appuyer sur **ENTER**.



Réglage de l'horloge

Le cadre photo affiche l'heure dans le coin inférieur droit.

Utiliser les touches directionnelles pour régler l'heure.



Réglage de l'alarme

Utiliser les touches directionnelles pour régler l'heure de l'alarme, sélectionner le nombre de sonneries souhaitées avant l'arrêt de l'alarme et activer ou désactiver l'alarme.



Configuration des options au démarrage

Il est possible de sélectionner l'affichage et l'audio lors de la mise en marche du cadre photo.

Utiliser les touches directionnelles pour sélectionner l'option de démarrage souhaitée.



Réglage des paramètres vidéo

Il est possible de régler la luminosité, le contraste et la saturation des couleurs.

Utiliser les touches directionnelles haut ou bas pour sélectionner l'option vidéo à régler, puis utiliser la touche directionnelle droite ou gauche pour régler l'option.



Restauration des paramètres par défaut

Il est possible de restaurer tous les paramètres à leur valeur d'origine par défaut.

Utiliser la touche directionnelle droite pour mettre en surbrillance **Default Set** (Paramètres par défaut), puis appuyer sur **ENTER** (Entrée).



Visualiser la version du logiciel

Il est possible d'accéder à la version du logiciel du cadre photo.



Modification de l'encadrement décoratif

Le cadre photo numérique est doté d'encadrements décoratifs interchangeables.

Pour modifier l'encadrement décoratif :

- 1 Retirer les quatre vis à l'arrière du cadre photo.
- 2 Écarter le cadre photo numérique de l'encadrement en bois.
- 3 Insérer le cadre photo numérique dans le nouvel encadrement en bois.
- 4 Replacer les quatre vis en les serrant.

Entretien du cadre photo numérique

Nettoyage de l'écran ACL

Traiter l'écran avec soin. L'écran est fabriqué avec du verre et peut-être rayé ou cassé. Pour nettoyer les empreintes digitales ou la poussière sur l'écran ACL, il est recommandé d'utiliser le chiffon fourni ou un chiffon doux, non abrasif tel que ceux utilisés pour les lentilles d'appareils de photo. En cas d'utilisation d'une trousse de nettoyage pour ACL du commerce, ne pas appliquer le liquide de nettoyage directement sur l'écran ACL. Humecter le chiffon de nettoyage avec le liquide pour nettoyer l'écran ACL.

Nettoyage du cadre photo numérique

Nettoyer la surface extérieure du cadre photo numérique (à l'exception de l'écran) avec un chiffon doux humecté d'eau.

Problèmes et solutions

Si le cadre photo ne fonctionne pas correctement, l'éteindre, attendre quelques secondes et le rallumer.

Spécifications

Les spécifications sont sujettes à modification sans avis préalable.

Fonction	Spécifications
Dimensions de l'écran	10,4 po
Résolution	640 × 480
Entrée d'alimentation CA	100 à 240 V CA, 50/60 Hz
Alimentation CC de l'unité	12 V CC à 1,5 A
Haut-parleurs intégrés	Stéréo
Photos	JPG
Audio	MP3
Vidéo	MPEG
Lecteur de cartes	CF MMC SD xD-Picture MS
Ports USB	Pour PC (1) Pour périphériques (1)
Mémoire interne	256 Mo
Télécommande	Oui

Avis juridiques

Ce produit est en conformité avec la section 15, sous-section B de la réglementation de la FCC et les méthodes de mesure de la norme ANSI C63.4.

Garantie limitée de six (6) mois

Insignia Products (« Insignia ») garantit au premier acheteur de ce **NS-DPF10A** neuf (« Produit »), qu'il est exempt de vices de fabrication et de main-d'œuvre à l'origine, pour une période de 6 mois à partir de la date d'achat du Produit (« Période de garantie »). Ce Produit doit avoir été acheté chez un revendeur agréé des produits de la marque Insignia et emballé avec cette déclaration de garantie. Cette garantie ne couvre pas les Produits remis à neuf. Les conditions de la présente garantie s'appliquent à tout Produit pour lequel Insignia est notifié pendant la Période de garantie, d'un vice couvert par cette garantie qui nécessite une réparation.

Quelle est la durée de la couverture?

La Période de garantie dure six (6) mois à compter de la date d'achat de ce Produit. La date d'achat est imprimée sur le reçu fourni avec le Produit.

Que couvre cette garantie?

Pendant la Période de garantie, si un vice de matériau ou de main-d'œuvre d'origine est détecté sur le Produit par un service de réparation agréé par Insignia ou le personnel du magasin, Insignia (à sa seule discrétion) : (1) réparera le Produit en utilisant des pièces détachées neuves ou remises à neuf; ou (2) remplacera le Produit par un produit ou des pièces neuves ou remises à neuf de qualité comparable. Les produits et pièces remplacés au titre de cette garantie deviennent la propriété d'Insignia et ne sont pas retournés à l'acheteur. Si les Produits ou pièces nécessitent une réparation après l'expiration de la Période de garantie, l'acheteur devra payer tous les frais de main-d'œuvre et les pièces. Cette garantie reste en vigueur tant que l'acheteur reste propriétaire du Produit Insignia pendant la Période de garantie. La garantie prend fin si le Produit est revendu ou transféré d'une quelconque façon que ce soit à tout autre propriétaire.

Comment obtenir une réparation sous garantie?

Si le Produit a été acheté chez un détaillant, le rapporter accompagné du reçu original chez ce détaillant. Prendre soin de remettre le Produit dans son emballage d'origine ou dans un emballage qui procure la même qualité de protection que celui d'origine. Si le Produit a été acheté en ligne, l'expédier accompagné du reçu original à l'adresse indiquée sur le site Web. Prendre soin de remettre le Produit dans son emballage d'origine ou dans un emballage qui procure la même qualité de protection que celui d'origine.

Pour obtenir le service de la garantie à domicile pour un téléviseur avec écran de 25 po ou plus, appeler le 1-888-BESTBUY. L'assistance technique établira un diagnostic et corrigera le problème au téléphone ou enverra un technicien agréé par Insignia pour la réparation à domicile.

Où cette garantie s'applique-t-elle?

Cette garantie ne s'applique qu'à l'acheteur original du produit aux États-Unis et au Canada.

Ce qui n'est pas couvert par cette garantie limitée

La présente garantie ne couvre pas :

- la formation du client;
- l'installation;
- les réglages de configuration;
- les dommages esthétiques;
- les dommages résultants de catastrophes naturelles telles que la foudre;
- les accidents;
- une utilisation inadaptée;

- une manipulation abusive;
- la négligence;
- une utilisation commerciale;
- la modification de tout ou partie du Produit, y compris l'antenne;
- un écran plasma endommagé par les images fixes (sans mouvement) qui restent affichées pendant de longues périodes (rémanentes).

La présente garantie ne couvre pas non plus :

- les dommages ayant pour origine une utilisation ou une maintenance défectueuse;
- la connexion à une source électrique dont la tension est inadéquate;
- toute réparation effectuée par quiconque autre qu'un service de réparation agréé par Insignia pour la réparation du Produit;
- les produits vendus en l'état ou hors service;
- les consommables tels que les fusibles ou les piles;
- les produits dont le numéro de série usine a été altéré ou enlevé.

LA RÉPARATION OU LE REMPLACEMENT, TELS QU'OFFERTS PAR LA PRÉSENTE GARANTIE, CONSTITUENT LE SEUL RECOURS DE L'ACHETEUR. INSIGNIA NE SAURAIT ÊTRE TENU POUR RESPONSABLE DE DOMMAGES ACCESSOIRES OU CONSÉCUTIFS, RÉSULTANT DE L'INEXÉCUTION D'UNE GARANTIE EXPRESSE OU IMPLICITE SUR CE PRODUIT, Y COMPRIS, SANS S'Y LIMITER, LA PERTE DE DONNÉES, L'IMPOSSIBILITÉ D'UTILISER LE PRODUIT, L'INTERRUPTION D'ACTIVITÉ OU LA PERTE DE PROFITS. INSIGNIA PRODUCTS N'OCTROIE AUCUNE AUTRE GARANTIE EXPRESSE RELATIVE À CE PRODUIT; TOUTES LES GARANTIES EXPRESSES OU IMPLICITES POUR CE PRODUIT, Y COMPRIS MAIS SANS LIMITATION, TOUTE GARANTIE DE QUALITÉ MARCHANDE, D'ADÉQUATION À UN BUT PARTICULIER, SONT LIMITÉES À LA PÉRIODE DE GARANTIE APPLICABLE TELLE QUE DÉCRITE CI-DESSUS ET AUCUNE GARANTIE EXPRESSE OU IMPLICITE NE S'APPLIQUERA APRÈS LA PÉRIODE DE GARANTIE. CERTAINS ÉTATS ET PROVINCES NE RECONNAISSENT PAS LES LIMITATIONS DE LA DURÉE DE VALIDITÉ DES GARANTIES IMPLICITES. PAR CONSÉQUENT, LES LIMITATIONS SUSMENTIONNÉES PEUVENT NE PAS S'APPLIQUER À L'ACHETEUR ORIGINAL. LA PRÉSENTE GARANTIE DONNE À L'ACHETEUR DES GARANTIES JURIDIQUES SPÉCIFIQUES; IL PEUT AUSSI BÉNÉFICIER D'AUTRES GARANTIES QUI VARIENT D'UN ÉTAT OU D'UNE PROVINCE À L'AUTRE.

Pour contacter Insignia :

Pour le service à la clientèle, appeler le 1-877-467-4289

www.insignia-products.com

INSIGNIA^{MC} est une marque de commerce de Best Buy Enterprise Services, Inc.

Distribué par Best Buy Purchasing, LLC.

Insignia, 7601 Penn Avenue South, Richfield, Minnesota, U.S.A.

Insignia NS-DPF10A

Marco digital para fotos

Contenido

Bienvenido	45
Información de seguridad	45
Características	46
Preparando su marco para fotos	50
Usando su marco para fotos	52
Mantenimiento de su marco digital para fotos	62
Localización y corrección de fallas	62
Especificaciones	63
Avisos Legales	63
Garantía limitada de 6 meses	65

Bienvenido

Felicitaciones por su compra de un producto de alta calidad de Insignia. Su NS-DPF10A representa el más moderno diseño de marcos para fotos y está concebido para brindar un rendimiento confiable y sin problemas.

Información de seguridad

Siempre siga estas precauciones básicas de seguridad cuando use su marco digital para fotos. Esto reducirá el riesgo de incendio, choque eléctrico y lesiones.

Advertencia

Para reducir el riesgo de fuego o choque eléctrico no exponga el marco digital para fotos a la lluvia o humedad.

Advertencia

Para prevenir el riesgo de choque eléctrico, no quite la cubierta. No existen partes reparables por el usuario en el interior. Remita todas las reparaciones a personal calificado.

- Su marco para fotos está diseñado para uso únicamente en interiores.
- Desconecte su marco para fotos antes de realizar cualquier cuidado o mantenimiento.
- Nunca bloquee los agujeros de ventilación en la parte posterior de su marco para fotos.

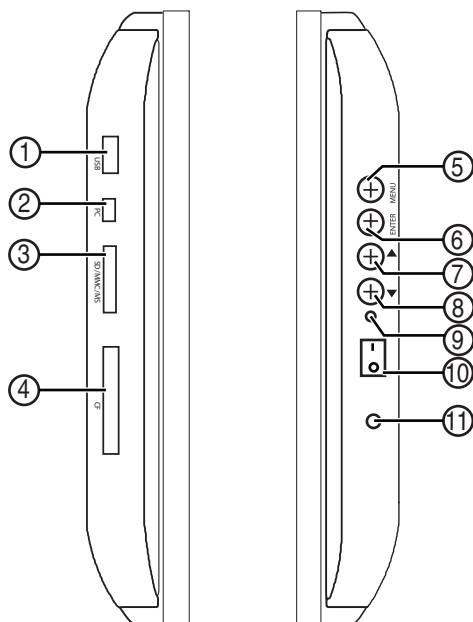
- Mantenga su marco para fotos alejado de la luz del sol directa y de fuentes de calor.
- Proteja el cable de alimentación. Los cables de alimentación deben colocarse de manera que no se pisen ni se los aplaste con artículos colocados sobre ellos o contra ellos. Preste atención en particular al punto donde el cable se conecta al marco digital para fotos.
- Sólo use el adaptador de CA incluido con su marco para fotos. Usar cualquier otro adaptador de alimentación anulará su garantía.
- Desconecte el cable de alimentación del tomacorriente cuando su marco para fotos no se está usando.

Características

Su marco para fotos digitales cuenta con:

- Pantalla TFT de alta resolución de 10.4"
- Reproducción de imágenes en formato de presentación de diapositivas
- Reproducción de audio MP3
- Reproducción de video MPEG
- Presentación de diapositivas con audio
- Lector integrado de tarjetas multiformato que lee tarjetas de memoria CF, MMC, SD, MS, MS-Pro y xD-Picture
- 256 MB de memoria interna
- Puerto USB para conectarse a una PC
- Puerto USB para conectarse a dispositivos tales como unidades de memoria flash o cámaras
- Dos marcos de madera intercambiables
- Paño de limpieza
- Control remoto con pila

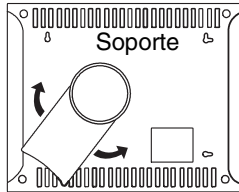
Vistas Laterales



#	Componente	Descripción
1	USB	Conecte un dispositivo externo, tal como una cámara o una unidad de memoria flash en este puerto.
2	PC	Conecte una PC en este puerto.
3	Ranura para tarjetas SD/MS/MMC/xD-Picture	Inserte una tarjeta de memoria SD, MS, MMC o xD-Picture en esta ranura.
4	CF	Inserte una tarjeta de memoria CF en esta ranura.
5	MENÚ	Permite abrir o cerrar el menú de pantalla.
6	ENTRAR	Permite comenzar o pausar la reproducción. Cuando se muestra el menú de pantalla, permite confirmar selecciones.
7	▲	Permite navegar hacia arriba o hacia la izquierda en el menú de pantalla.
8	▼	Permite navegar hacia abajo o hacia la derecha en el menú de pantalla.
9	Indicador LED de encendido	Se ilumina cuando su marco para fotos se encuentra encendido.

#	Componente	Descripción
10	Interruptor de encendido	Deslice para encender o apagar su marco para fotos.
11	Toma de alimentación	Enchufe el cable de alimentación de CA en esta toma.

Vista posterior

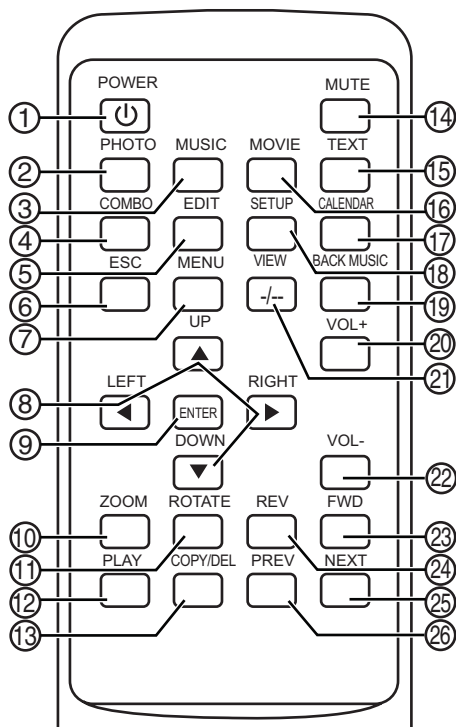


Puede usar su marco para fotos en el modo de orientación horizontal o vertical.

Para cambiar el modo:

- Gire la base hasta que encaje en su lugar.
- Para remover la base para montaje en pared, gire la base a la posición central y remuévala.

Control remoto



#	Botón	Función
1	ENCENDIDO	Permite encender o apagar su marco para fotos.
2	FOTOS	Permite reproducir una presentación de diapositivas con fotografías.
3	MÚSICA	Permite reproducir un archivo MP3.
4	COMBO	Permite reproducir una presentación de diapositivas con música de fondo.
5	EDITAR	Para copiar o borrar archivos.
6	ESC	Permite regresar al comando anterior.
7	MENÚ	Permite abrir el menú principal.
8	Botones direccionales	Permiten navegar los menús de pantalla.
9	ENTRAR	Permite confirmar las selecciones o guardar los cambios.
10	AMPLIAR	Permite a ampliar una imagen por un 20 %.

#	Botón	Función
11	GIRAR	Girar 90°.
12	REPRODUCIR	Permite iniciar o pausar la reproducción de una presentación de diapositivas, una película o audio.
13	COPIAR/BORRAR	Para copiar o borrar archivos.
14	SILENCIAR	Permite silenciar el audio. Presiónelo de nuevo para restaurar el audio.
15	TEXTO	Permite visualizar un archivo de texto.
16	PELÍCULA	Permite reproducir un clip de película (video).
17	CALENDARIO	Permite mostrar el calendario.
18	CONFIGURACIÓN	Permite cambiar los ajustes.
19	MÚSICA DE FONDO	Permite reproducir un archivo MP3 durante una presentación de diapositivas.
20	VOL +	Permite subir el volumen.
21	VISUALIZAR	Permite ver imágenes en la vista de miniaturas. Su marco para fotos muestra tres filas de tres fotos.
22	VOL –	Permite bajar el volumen.
23	AVANZAR	Permite avanzar en una presentación de diapositivas o un clip de película.
24	RETROCEDER	Permite retroceder en una presentación de diapositivas o un clip de película.
25	SIGUIENTE	Permite ir a la siguiente foto en una presentación de diapositivas.
26	ANTERIOR	Permite ir a la siguiente foto de una presentación de diapositivas.

Preparando su marco para fotos

Contenido del paquete

Verifique que el paquete contiene lo siguiente:

- Unidad de marco digital para fotos con base desmontable para escritorio
- Adaptador de alimentación de CA
- Cable de USB
- Control remoto con pila
- Marco de madera y esteras adicional

- Paño de limpieza
- Guía del usuario

Para preparar su marco para fotos:

- 1 Conecte un extremo del cable de alimentación de CA en la toma de alimentación a un lado del marco para fotos y enchufe el otro extremo en un tomacorriente.
- 2 Inserte una tarjeta de memoria en la ranura apropiada.
- 3 Deslice el interruptor de encendido a la posición **ON** (Encendido). Su marco para fotos comenzará reproducir una presentación de diapositivas con las fotos guardadas en su memoria interna.

Para conectarse a una PC

Puede conectar su marco para fotos a una PC usando el puerto **PC**. Cuando su marco para fotos está conectado a una PC, puede arrastrar archivos desde la PC a su marco para fotos. Los archivos están almacenados en la memoria interna de su marco para fotos. También puede borrar archivos de la memoria interna de su marco para fotos.

Cuando su marco para fotos está conectado a una PC, la presentación de diapositivas de las fotos en la memoria interna se detiene.

Para conectarse a una PC:

- Conecte un extremo del cable de USB en el puerto **PC** a un lado de su marco para fotos y enchufe el otro extremo del cable en un puerto de USB en su PC.

Nota

Cuando su marco para fotos está conectado a una PC, la memoria interna de su marco para fotos y cualquier tarjeta de memoria insertada aparecerá como una unidad en My Computer (Mi PC) y Windows Explorer (Explorador de Windows).

Conectándose a un dispositivo externo

Puede conectar su marco para fotos a un dispositivo externo tal como una unidad de memoria flash, un lector de tarjetas o una cámara. Cuando su marco para fotos está conectado un dispositivo externo, puede reproducir archivos que se encuentra en el dispositivo por medio del MENÚ PRINCIPAL.

Para conectar un equipo externo:

- Conecte un extremo del cable de USB en el puerto **USB** a un lado de su marco para fotos y enchufe el otro extremo en un puerto de USB en el dispositivo externo.

Nota

Algunos dispositivos, tales como unidades de memoria flash con USB, no requieren el uso de un cable de de USB.

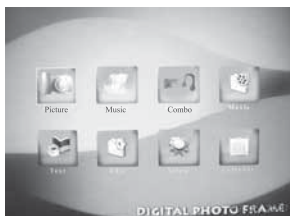
Usando su marco para fotos

Su marco para fotos puede mostrar películas o video y puede reproducir archivos MP3.

Usando el menú de pantalla

Para acceder al menú de pantalla:

- 1 Presione **MENU** (Menú). Se abre el MENÚ PRINCIPAL.



- 2 Presione los botones direccionales para seleccionar una opción y presione **ENTER** (Entrar). Aparece una pantalla que le permite cambiar la opción.

Puede aparecer una tercera pantalla, dependiendo de la opción.

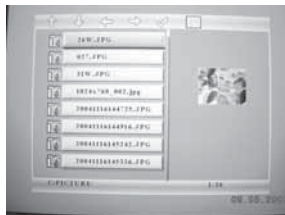
Reproduciendo una presentación de diapositivas

Para reproducir una presentación de diapositivas:

- 1 En el menú principal, seleccione **Picture** (Imagen) y presione **ENTER** (Entrar). Aparece una pantalla que lista los tipos de medios que puede seleccionar.



- 2 Presione los botones direccionales para seleccionar el medio que tiene las imágenes que quiere reproducir y presione **ENTER** (Entrar). Para acceder a la memoria interna de su marco para fotos, seleccione **Memory** (Memoria). Aparece una pantalla que lista los nombres de los archivos en el medio que seleccionó.



- 3 Presione **ENTER** (Entrar) para comenzar la reproducción con el primer archivo. Su marco para fotos reproduce los archivos en un formato de presentación de diapositivas.
- 4 Si desea controlar la reproducción manualmente, presione **PLAY** (Reproducir), luego presione **NEXT** (Siguiente) o **PREV** (Anterior) para seleccionar una imagen que desea reproducir.
- 5 Si desea agrandar una imagen, presione **ZOOM** (Ampliar). Cada vez que presiona **ZOOM** (Ampliar), la imagen se agranda por 20%. Cuando agrande una foto, la puede mover en la pantalla usando los botones direccionales, para centrar la parte que desea visualizar.
- 6 Presione **MENU** (Menú) para finalizar e ir al menú principal.

Reproducción de archivos MP3

Para reproducir archivos MP3:

- 1 En el menú principal, seleccione **Music** (Música) y presione **ENTER** (Entrar). Aparece una pantalla que lista los tipos de medios que puede seleccionar.



- 2 Presione los botones direccionales para seleccionar el medio que tiene los archivos de MP3 que quiere reproducir y presione **ENTER** (Entrar). Para acceder la memoria interna de su marco para fotos, seleccione **Memory** (Memoria).
- 3 Presione **ENTER** (Entrar). Aparece una pantalla que lista los nombres de los archivos MP3 en el medio que seleccionó.



- 4 Presione **ENTER** (Entrar) para comenzar la reproducción con el primer archivo MP3.
- 5 Presione **PLAY** (Reproducir) para pausar la reproducción.



- 6 Presione los botones direccionales para navegar por los controles, luego presione **ENTER** (Entrar) para seleccionar la opción.
- 7 Presione **MENU** (Menú) para finalizar e ir al menú principal.

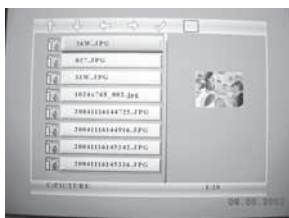
Reproduciendo una presentación de diapositivas con música

Para reproducir una presentación de diapositivas con música:

- 1 En el menú principal, seleccione **Combo** y presione **ENTER** (Entrar). Aparece una pantalla que lista los tipos de medios que puede seleccionar.



- 2 Presione los botones direccionales para seleccionar el medio que tiene los archivos que quiere reproducir y presione **ENTER** (Entrar). Para acceder la memoria interna de su marco para fotos, seleccione **Memory** (Memoria).
- 3 Presione **ENTER** (Entrar). Aparece una pantalla que lista los nombres de los archivos de fotos y MP3 en el medio que seleccionó.



- 4 Presione **ENTER** (Entrar) para empezar a reproducir. Su marco para fotos reproduce las fotos en un formato de presentación de diapositivas mientras se reproduce el archivo MP3 en el fondo.
- 5 Presione **PLAY** (Reproducir) para pausar la presentación de diapositivas y la reproducción de MP3.
- 6 Presione **MENU** (Menú) para finalizar e ir al menú principal.

Reproduciendo un clip de película

Para reproducir un clip de película:

- 1 En el menú principal, seleccione **Movie** (Película) y presione **ENTER** (Entrar). Aparece una pantalla que lista los tipos de medios que puede seleccionar.



- 2 Presione los botones direccionales para seleccionar el medio que tiene el clip de película que quiere reproducir y presione **ENTER** (Entrar). Para acceder la memoria interna de su marco para fotos, seleccione **Memory** (Memoria).
- 3 Presione **ENTER** (Entrar). Aparece una pantalla que lista los clips de película en el medio que seleccionó.



- 4 Presione **ENTER** (Entrar) para empezar a reproducir. Su marco para fotos comienza a reproducir el primer clip de película.
- 5 Presione **PLAY** (Reproducir) para pausar la reproducción. Presione nuevamente este botón para reanudar la reproducción. Si presiona **ENTER** (Entrar), aparece una pantalla con información acerca del clip de película.
- 6 Presione **MENU** (Menú) para finalizar e ir al menú principal.

Viendo un archivo de texto

Puede ver archivos de texto que están en el formato ASCII. Puede crear archivos ASCII en Windows Notepad.

Para ver un archivo de texto:

- 1 En el menú principal, seleccione **Text** (Texto) y presione **ENTER** (Entrar).
- 2 Presione los botones direccionales para seleccionar el medio que tiene los archivos de texto que quiere ver y presione **ENTER** (Entrar). Para acceder la memoria interna de su marco para fotos, seleccione **Memory** (Memoria).
- 3 Presione **ENTER** (Entrar). Aparece una pantalla que lista los nombres de los archivos de texto en el medio que seleccionó.
- 4 Presione **ENTER** (Entrar) para empezar a reproducir. Su marco para fotos comienza a reproducir el primer archivo de texto.
- 5 Presione los botones direccionales para navegar por el archivo de texto.
- 6 Presione **MENU** (Menú) para finalizar e ir al menú principal.

Copiando o borrando archivos

Puede copiar los archivos desde una fuente externa a la memoria de su marco para fotos y borre los archivos de la memoria de su marco para fotos.

Para copiar o borrar archivos:

- 1 En el menú principal, seleccione **EDIT** (Editar) y presione **ENTER** (Entrar).
- 2 Seleccione el medio desde el que quiere copiar y presione **ENTER** (Entrar).
- 3 Presione el botón direccional arriba o abajo para navegar por sus archivos.
- 4 Seleccione los archivos que desea copiar presionando el botón direccional derecho. El archivo que seleccionó estará marcado con una "garra."
- 5 Presione el botón direccional para regresar al menú Media (Medios).
- 6 Seleccione el medio al que quiere copiar los archivos y presione **ENTER** (Entrar).

- 7 Presione **COPY/DEL** (Copiar/Borrar), seleccione el icono de maletín (copiar) o el icono de papelería (borrar) y presione **ENTER** (Entrar).
- 8 Cuando vea el mensaje *Finished!* (¡Finalizado!), presione **ENTER** (Entrar).

Nota

No puede copiar y borrar al mismo tiempo. Asegúrese de que todos los archivos que seleccione son archivos que desea copiar o borrar.

Ajustando la configuración del marco para fotos

Podría:

- Seleccionar un idioma para el menú de pantalla
- Ajustar la configuración de la presentación de diapositivas
- Ajustar la configuración del reloj y la alarma
- Configurar las opciones de inicio
- Ajustar la configuración de video
- Restaurar la configuración predefinida
- Ver la versión de software

Para usar la opción de configuración:

- 1 En el menú principal, seleccione **Setup** (Configuración) y presione **ENTER** (Entrar).
- 2 Presione los botones direccionales para seleccionar la opción que desea ajustar y presione **ENTER** (Entrar). Se puede seleccionar:
 - **Language** (Idioma) – Refiérase a “Seleccionando el idioma” en la página 59.
 - **Picture Set** (Configurar imagen) – Refiérase a “Configurando al velocidad de presentación de diapositivas” on page 59 y “Configurando las transiciones de imágenes” en la página 59.
 - **Clock Set** (Configurar reloj) – Refiérase a “Configurando el reloj” en la página 60.
 - **Alarm Set** (Configurar alarma) – Refiérase a “Configurando la alarma” en la página 60.
 - **Start Up Set** (Configurar inicio) – Refiérase a “Configurando las opciones de inicio” en la página 60.
 - **Video Set** (Configurar video) – Refiérase a “Ajustando la configuración de video” en la página 61.
 - **Default Set** (Configurar valores predefinidos) – “Restaurando la configuración de fábrica” en la página 61.
 - **Version** (Versión) – Refiérase a “Viendo la versión del software” en la página 61.

- 3 Presione los botones direccionales para ajustar la opción y presione **ENTER** (Entrar).

Seleccionando el idioma

Presione los botones direccionales para seleccionar el idioma para el menú de pantalla.



Configurando al velocidad de presentación de diapositivas

Seleccione **Picture Set** (Configurar imagen), presione el botón direccional arriba o abajo para resaltar Slides how speed (Velocidad de presentación de diapositivas), y presione **ENTER** (Entrar) para mostrar la opción de velocidad (la cantidad de tiempo que una imagen se mostrará antes de que aparezca la siguiente imagen). Presione los botones direccionales arriba o abajo para seleccionar una velocidad y presione **ENTER** (Entrar).



Configurando las transiciones de imágenes

Presione el botón direccional arriba o abajo para resaltar **Picture Play Mode** (Modo de reproducción de imágenes) y presione **ENTER** (Entrar). Presione el botón direccional arriba o abajo para seleccionar una opción de transición y presione **ENTER** (Entrar).



Configurando el reloj

Su marco para fotos puede mostrar la hora en la esquina inferior derecha.

Presione los botones direccionales para ajustar la hora.



Configurando la alarma

Presione los botones numéricos para ajustar la hora de la alarma, seleccionar el número de timbrazos que escuchará cuando se active la alarma y activar o desactivar la alarma.



Configurando las opciones de inicio

Puede seleccionar lo que quiere ver o escuchar cuando encienda su marco para fotos.

Presione los botones direccionales para seleccionar la opción de inicio que desea.



Ajustando la configuración de video

Puede ajustar el brillo, el contraste y la saturación de color.

Presione el botón direccional arriba y abajo para seleccionar la opción de video que desea ajustar y presione el botón direccional derecho o izquierdo para ajustar la opción.



Restaurando la configuración de fábrica

Puede restaurar la configuración a los valores predefinidos de fábrica.

Presione el botón direccional derecho para resaltar **Default Set** (Configurar valores predefinidos) y presione **ENTER** (Entrar).



Viendo la versión del software

Puede ver la versión del software de su marco para fotos.



Cambiando el marco decorativo

Su marco para fotos cuenta con marcos decorativos intercambiables.

Para cambiar el marco decorativo:

- 1** Retire los cuatro tornillos de la parte posterior de su marco para fotos.
- 2** Separe el marco para fotos del marco de madera.
- 3** Deslice el marco digital para fotos en el nuevo marco de madera.
- 4** Reemplace y apriete los cuatro tornillos.

Mantenimiento de su marco digital para fotos

Limpieza de la pantalla LCD

Trate la pantalla delicadamente. La pantalla está hecha de vidrio y se puede rayar o quebrar. Para limpiar huellas digitales o polvo de la pantalla LCD, le recomendamos que utilice el paño suministrado o un paño que no sea áspero tal como un paño para limpiar lentes de cámara. Si utiliza un kit de limpieza de LCD comercial, no aplique el líquido de limpieza directamente a la pantalla LCD. Limpie la pantalla LCD con el paño de limpieza humedecido con el líquido.

Limpieza del marco para fotos digitales

Limpie la superficie exterior del marco para fotos digitales (excluyendo la pantalla) con un paño suave humedecido con agua.

Localización y corrección de fallas

Si su marco para fotos no funciona correctamente, apáguelo, espere unos cuantos segundos, y vuelva a encenderlo.

Especificaciones

Las especificaciones están sujetas a cambio sin aviso previo.

Función	Especificación
Tamaño de pantalla	10.4"
Resolución	640 × 480
Entrada de alimentación de CA	100-240 V CA, 50/60 Hz
Alimentación de la unidad de CC	12 V CC @ 1.5 A
Altavoces integrados	Estéreo
Imágenes	JPG
Audio	MP3
Vídeo	MPEG
Lector de tarjetas	CF MMC SD xD-Picture MS
Puertos de USB	A la PC (1) A los dispositivos (1)
Memoria interna	256 MB
Control remoto	Sí

Avisos Legales

Este producto cumple con los requisitos que se especifican en el reglamento de FCC y las normas parte 15, Subparte B y el procedimiento de medida de acuerdo a ANSI C63.4.

Garantía limitada de 6 meses

Insignia Products (“Insignia”) le garantiza a usted, el comprador original de este nuevo **NS-DPF10A** (“Producto”), que éste se encontrará libre de defectos de material o de mano de obra en su fabricación original por un período de 6 (noventa) días a partir de la fecha de compra del Producto (“Período de Garantía”). Este Producto debe ser comprado en un distribuidor autorizado de productos Insignia y empacado con esta declaración de garantía. Esta garantía no cubre Productos reacondicionados. Si notifica a Insignia durante el Período de Garantía sobre un defecto cubierto por esta garantía que requiere reparación, los términos de esta garantía se aplican.

¿Cuánto dura la garantía?

El Período de Garantía dura por 6 (seis) meses a partir de la fecha en que compró el Producto. La fecha de compra se encuentra impresa en el recibo que recibió con el Producto.

¿Qué es lo que cubre esta garantía?

Durante el Período de Garantía, si un centro de reparación autorizado de Insignia concluye que la fabricación original del material o la mano de obra del Producto se encuentran defectuosos Insignia (cómo su opción exclusiva): (1) reparará el Producto con repuestos nuevos o reacondicionados; o (2) reemplazará el Producto con uno nuevo o con uno reacondicionado con repuestos equivalentes. Los Productos y repuestos reemplazados bajo esta garantía se volverán propiedad de Insignia y no se le regresarán a usted. Si se requiere la reparación de Productos o partes después de que se vence el Período de Garantía, usted deberá pagar todos los costos de mano de obra y de repuestos. Esta garantía estará vigente con tal que usted sea el dueño de su producto Insignia durante el periodo de garantía. El alcance de la garantía se termina si usted vende o transfiere el producto.

¿Cómo se obtiene la reparación de garantía?

Si ha comprado el Producto en una tienda de ventas, lleve su recibo original y el Producto a la tienda en donde lo compró. Asegúrese de que vuelva a colocar el Producto en su empaque original o en un empaque que provea la misma protección que el original. Si compró el Producto en un sitio Web, envíe por correo su recibo original y el Producto a la dirección postal listada en el sitio Web. Asegúrese de colocar el Producto en su empaque original o en un empaque que provea la misma protección que el original.

Para obtener servicio de garantía a domicilio para un televisor con una pantalla de 25 pulgadas o más, llame al 1-888-BESTBUY. El soporte técnico diagnosticará y corregirá el problema por teléfono o enviará un técnico certificado por Insignia a su casa.

¿En dónde es válida la garantía?

Esta garantía sólo es válida al comprador original del producto en los Estados Unidos y en Canadá.

¿Qué es lo que no cubre la garantía?

Esta garantía no cubre:

- Capacitación del cliente
- Instalación
- Ajuste de configuración
- Daños cosméticos
- Daños debido a actos de la naturaleza, tal cómo rayos
- Accidentes
- Mal uso

- Abuso
- Negligencia
- Uso comercial
- Modificación de alguna parte del Producto, incluyendo la antena
- Un panel de pantalla de plasma dañado por la persistencia de imágenes estáticas (sin movimiento), mostradas por periodos de tiempo extendido (efecto "burn-in").

Esta garantía tampoco cubre:

- Daño debido al uso o mantenimiento incorrecto
- La conexión a una fuente de voltaje incorrecta
- El intento de reparación por alguien que no sea una compañía autorizada por Insignia para reparar el Producto
- Productos vendidos tal cual (en el estado en que se encuentran) o con todas sus fallas
- Productos consumibles, tal cómo fusibles o baterías
- Productos en los cuales el número de serie asignado en la fábrica ha sido alterado o removido

EL REEMPLAZO DE REPARACIÓN SEGÚN PROVISTO BAJO ESTA GARANTÍA ES SU ÚNICO RECURSO. INSIGNIA NO SERÁ RESPONSABLE POR DAÑOS INCIDENTALES O CONSECUENTES DEBIDO AL INCUMPLIMIENTO DE CUALQUIER GARANTÍA EXPRESA O IMPLÍCITA RELACIONADA CON ESTE PRODUCTO, INCLUYENDO PERO SIN LIMITARSE A LA PÉRDIDA DE INFORMACIÓN, LA PÉRDIDA DE NEGOCIOS O DE GANANCIAS. INSIGNIA PRODUCTS NO HACE NINGUNA OTRA GARANTÍA EXPRESA E IMPLÍCITA RELACIONADA A ESTE PRODUCTO, INCLUYENDO PERO SIN LIMITARSE A, CUALQUIER GARANTÍA IMPLÍCITA DE O CONDICIONES DE COMERCIALIZACIÓN O IDONEIDAD PARA UN USO PARTICULAR, ESTÁN LIMITADAS EN DURACIÓN AL PERÍODO DE GARANTÍA DECLARADO ANTERIORMENTE Y NINGUNA GARANTÍA YA SEA EXPRESA O IMPLÍCITA SE APLICARÁ DESPUÉS DEL PERÍODO DE GARANTÍA. ALGUNOS ESTADOS, PROVINCIAS Y JURISDICCIÓNES NO PERMITEN RESTRICCIONES EN CUANTO A LA DURACIÓN DE UNA GARANTÍA IMPLÍCITA, ASÍ QUE LA RESTRICCIÓN ANTERIOR PUEDE NO APLICARSE EN SU CASO. ESTA GARANTÍA LE DA DERECHOS LEGALES ESPECÍFICOS, Y USTED PUEDE POSEER OTROS DERECHOS QUE VARIAN DE ESTADO A ESTADO, O DE PROVINCIA A PROVINCIA.

Comuníquese con Insignia:

Para servicio al cliente favor llamar al 1-877-467-4289

www.insignia-products.com

INSIGNIA™ es una marca comercial de Best Buy Enterprise Services, Inc.

Distribuido por Best Buy Purchasing, LLC

Insignia, 7601 Penn Avenue South, Richfield, Minnesota, U.S.A.



www.insignia-products.com (877) 467-4289

Distributed by Best Buy Purchasing, LLC
7601 Penn Avenue South, Richfield, MN USA 55423-3645
© 2007 Best Buy Enterprise Services, Inc.

All rights reserved. INSIGNIA is a trademark of Best Buy Enterprise Services, Inc. Registered in some countries.
All other products and brand names are trademarks of their respective owners.

Distribué par Best Buy Purchasing, LLC
7601 Penn Avenue South, Richfield, MN USA 55423-3645
© 2007 Best Buy Enterprise Services, Inc.

Tous droits réservés. INSIGNIA est une marque de Best Buy Enterprise Services, Inc. Déposée dans certains pays.
Tous les autres produits ou noms de marques sont des marques de commerce qui appartiennent à leurs propriétaires respectifs.

Distribuido por Best Buy Purchasing, LLC
7601 Penn Avenue South, Richfield, MN USA 55423-3645
© 2007 Best Buy Enterprise Services, Inc.

Todos los derechos reservados. INSIGNIA es una marca de Best Buy Enterprise Services, Inc. Registrada en ciertos países.
Todos los demás productos y marcas son marcas comerciales de sus respectivos dueños.