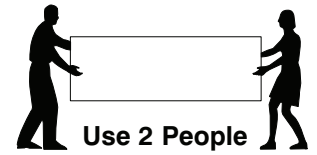
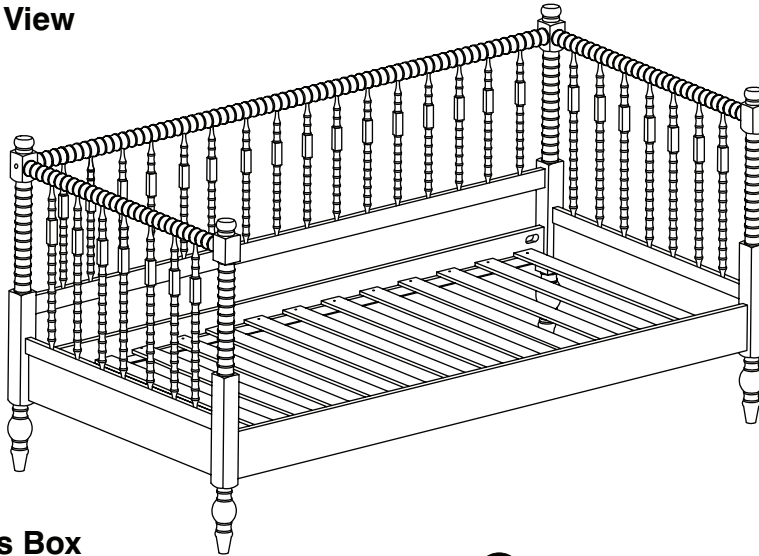


0259-1 Daybed

Assembly Instructions

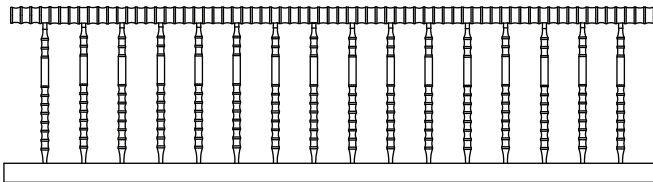
WII-0925

1 Assembled View



Note: Do not assemble using power tools. This can cause the bolts to be overtightened

2 Parts in this Box



A Back Panel x 1



B Side Rail x 2

3 Hardware in this Box



1 M6 x 40mm JCB x 18



2 M6 x 70mm JCB x 2



3 Wood Dowel (10 x 40mm) x 4

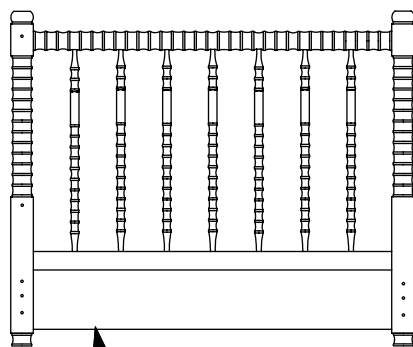


4 Wood Screw (M4 x 32mm) x 18

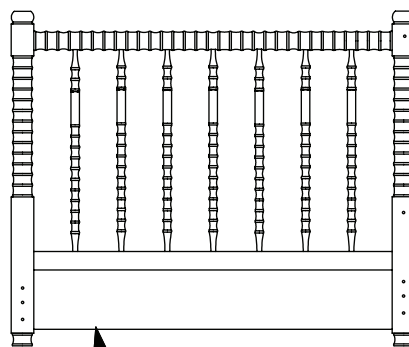


5 Allen Key x 1

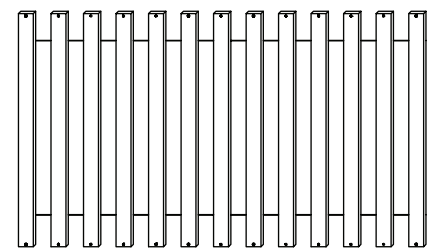
Slats are packed in separately in Box B



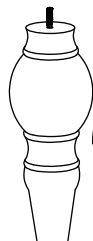
C Side Panel (Right) x 1



D Side Panel (Left) x 1



E Set of Slats x 1



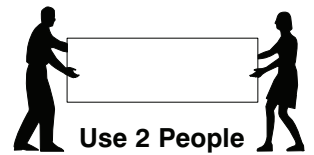
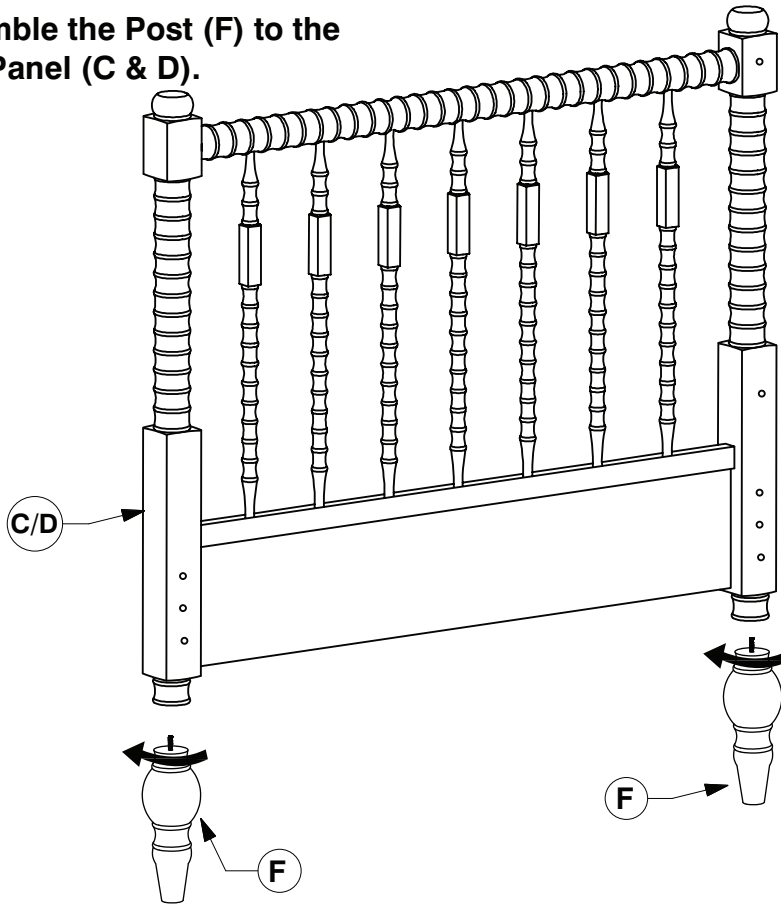
F Post x 4

0259-1 Daybed

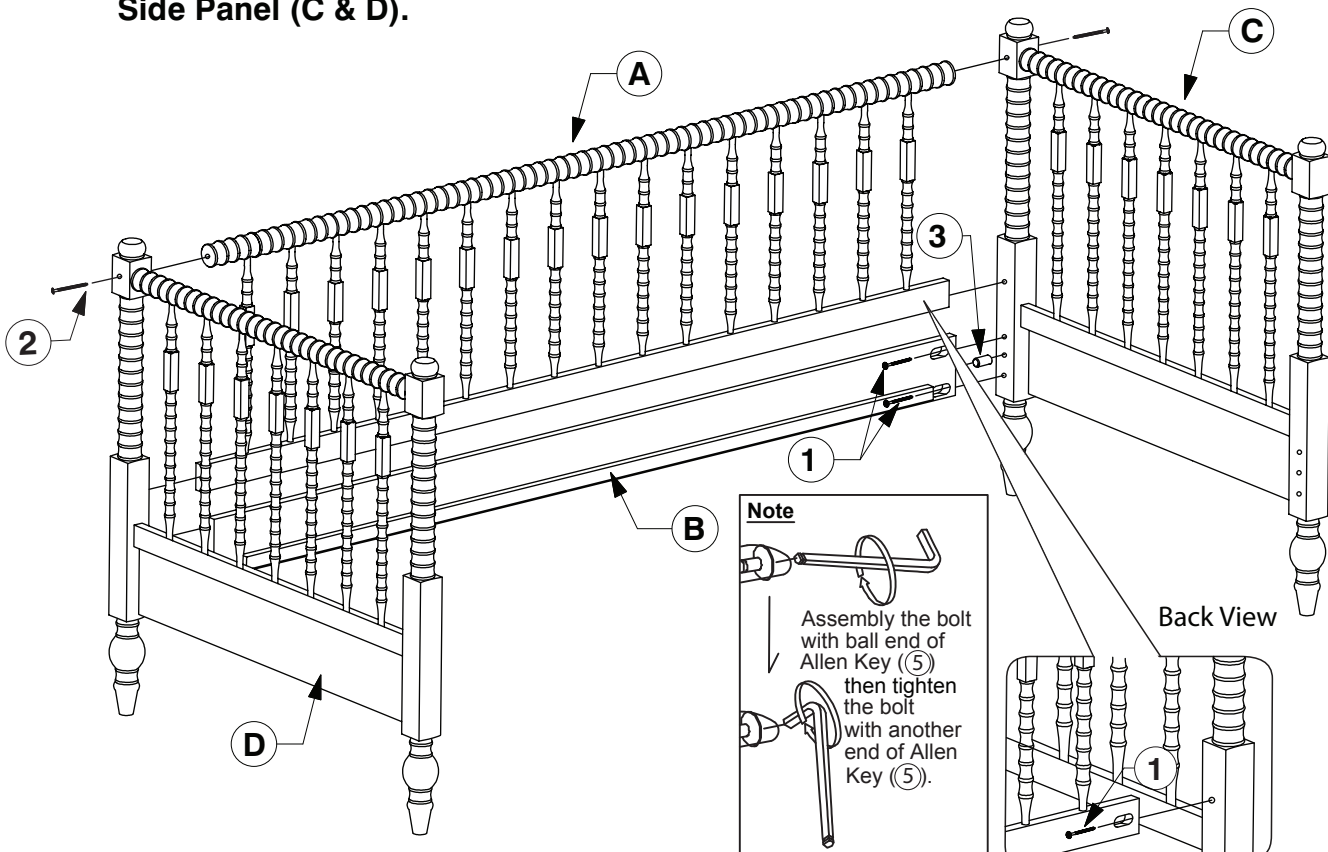
Assembly Instructions

W11-0925

- 4** Assemble the Post (F) to the Side Panel (C & D).



- 5** Assemble the Back Panel (A) and Side Rail (B) to the Side Panel (C & D).

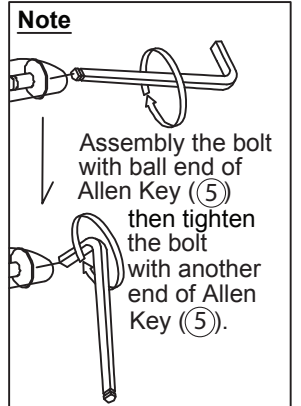
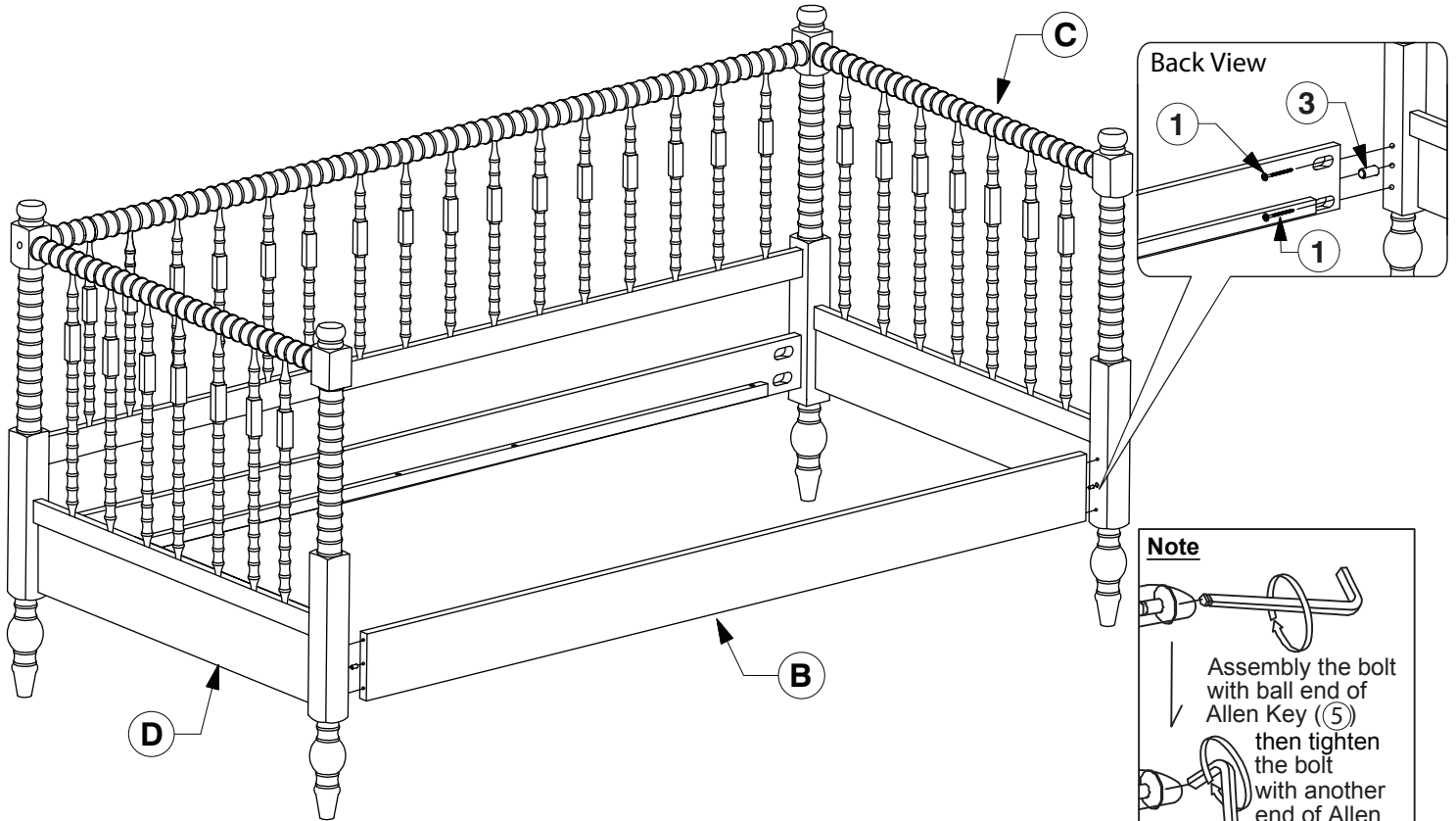
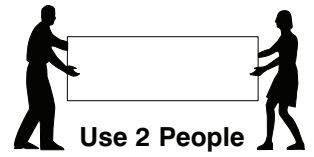


0259-1 Daybed

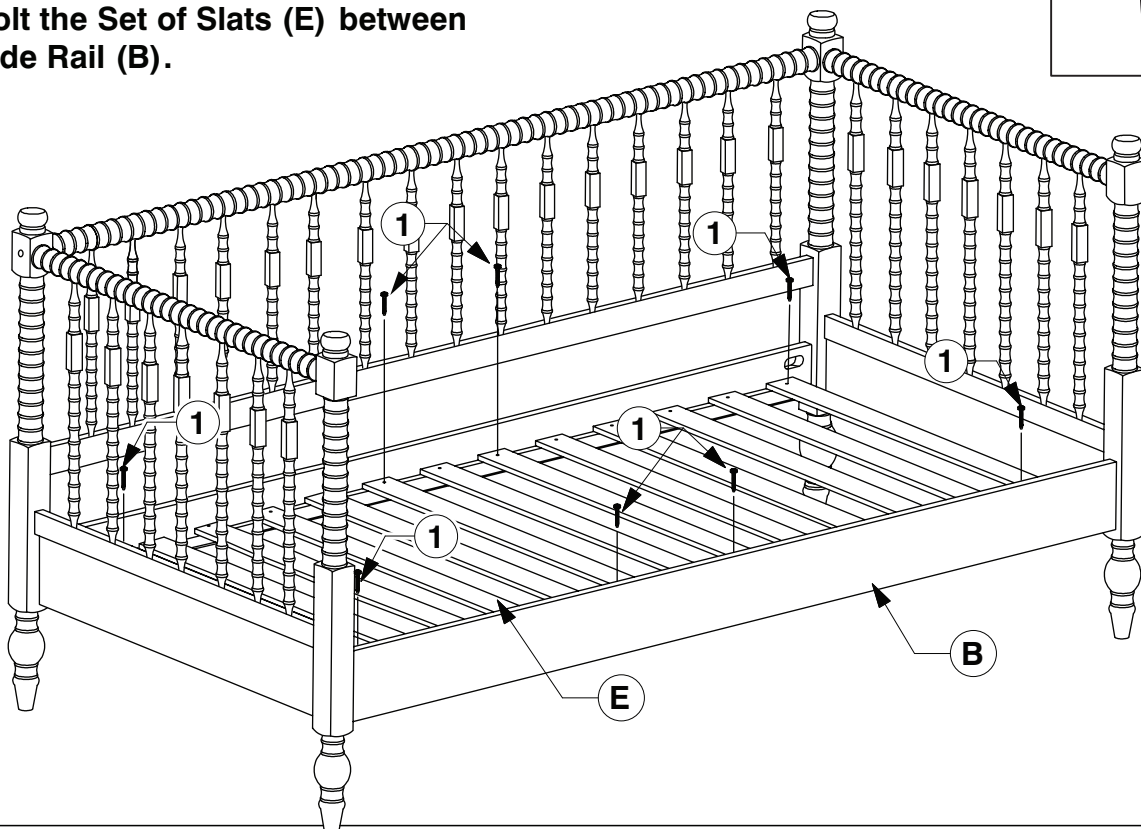
Assembly Instructions

W11-0925

- 6 Assemble the Side Rail (B) to the Side Panel (C & D).**



- 7 Bolt the Set of Slats (E) between Side Rail (B).**



0259-1 Daybed

Assembly Instructions

WII-0259

- 8** Screw the Set of Slats (E) between the Side Rail (B).

