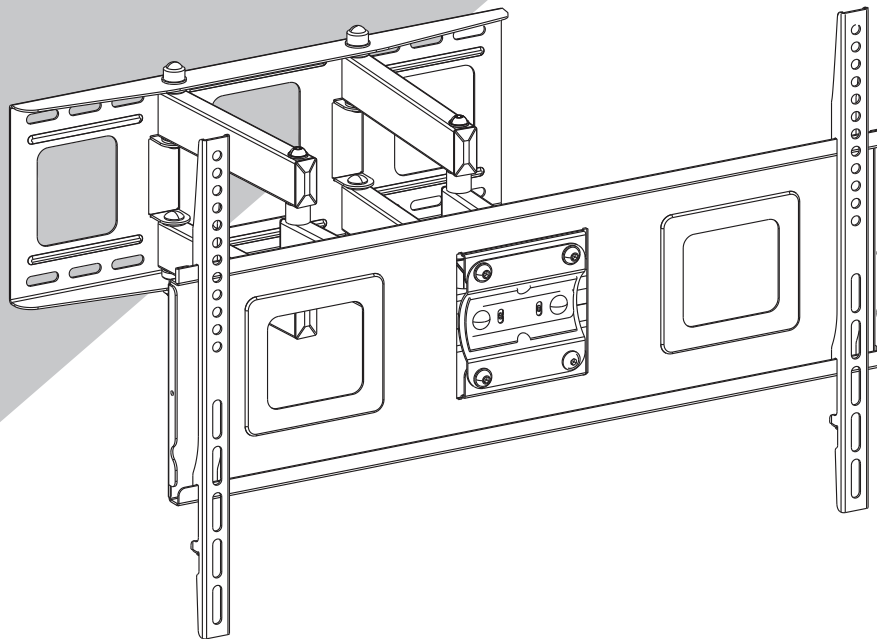


Large Full Motion Mount for 47–84" TVs /

Soporte grande de movimiento completo para televisores de 47 a 84 pulg.

User Guide / Guía de usuario

BE-MLFM



ENGLISH	3
ESPAÑOL.....	19

BEST BUY
essentials[™]

/Before using your new product, please read these instructions to prevent any damage.

Avant l'utilisation de ce produit neuf, lire ces instructions afin d'éviter tout dommage.

Contents

ENGLISH	3
IMPORTANT SAFETY INSTRUCTIONS	3
Features	3
VESA TV screw hole patterns	3
Dimensions	4
Tools needed	4
Package contents	5
Parts	5
TV Hardware Bag	5
Installation instructions	6
STEP 1 - Determine whether your TV has a flat back or an irregular or obstructed back	6
STEP 2 - Select screws, washers, and spacers	7
STEP 3 - Option 1: Attach the mounting hardware to a TV with a flat back	8
STEP 3 - Option 2: Attach the mounting hardware to a TV with an irregular or obstructed back	9
STEP 4 - Determine the wall-mount location	10
STEP 5 - Option 1: Install on a wood stud* wall	11
STEP 5 - Option 2: Install on a solid concrete or concrete block wall	13
STEP 6 - Secure your TV to the wall plate	15
STEP 7 - Manage cables	16
STEP 8 - Adjust the mount arm and tilt angles	17
ONE-YEAR LIMITED WARRANTY	18
ESPAÑOL	19
INSTRUCCIONES IMPORTANTES DE SEGURIDAD	19
Características	19
Patrones de agujeros de tornillos VESA para televisores	19
Dimensiones	20
Herramientas requeridas	20
Contenido del paquete	21
Elementos	21
Bolsa de accesorios para televisor	21
Instrucciones de instalación	22
PASO 1 - Determine si su televisor tiene una parte posterior plana, irregular u obstruida	22
PASO 2 - Selección de los tornillos, arandelas y espaciadores	23
PASO 3 - Opción 1: Instalación de la ferretería de montaje para televisor con una parte posterior plana	24
PASO 3 - Opción 2: Instalación de la tornillería de montaje en un televisor con la parte posterior irregular u obstruida	25
PASO 4 - Determine la ubicación del montaje en pared	27
PASO 5 - Opción 1: Instalación en una pared con viga de madera*	28
PASO 5 - Opción 2: Instalación en una pared de concreto sólido o de bloques de concreto	30
PASO 6 - Fije el televisor a la placa para pared	32
PASO 7 - Organización de los cables	33
PASO 8 - Ajuste el brazo de montaje y los ángulos de inclinación	34
GARANTÍA LIMITADA DE UN AÑO	35

ENGLISH

IMPORTANT SAFETY INSTRUCTIONS

SAVE THESE INSTRUCTIONS

CAUTION: Do not use this product for any purpose not explicitly specified by BEST BUY ESSENTIALS.

- Improper installation may cause property damage or personal injury. If you do not understand these directions, or have doubts about the safety of the installation, contact Customer Service or call a qualified contractor. Best Buy Essentials is not responsible for damage or injury caused by incorrect installation or use.
- The weight of your TV must not exceed 110 lbs. (50 kg). The wall must be capable of supporting five times the weight of your TV and wall mount combined.
- This product contains small items that could be a choking hazard if swallowed. Keep these items away from young children!

Features

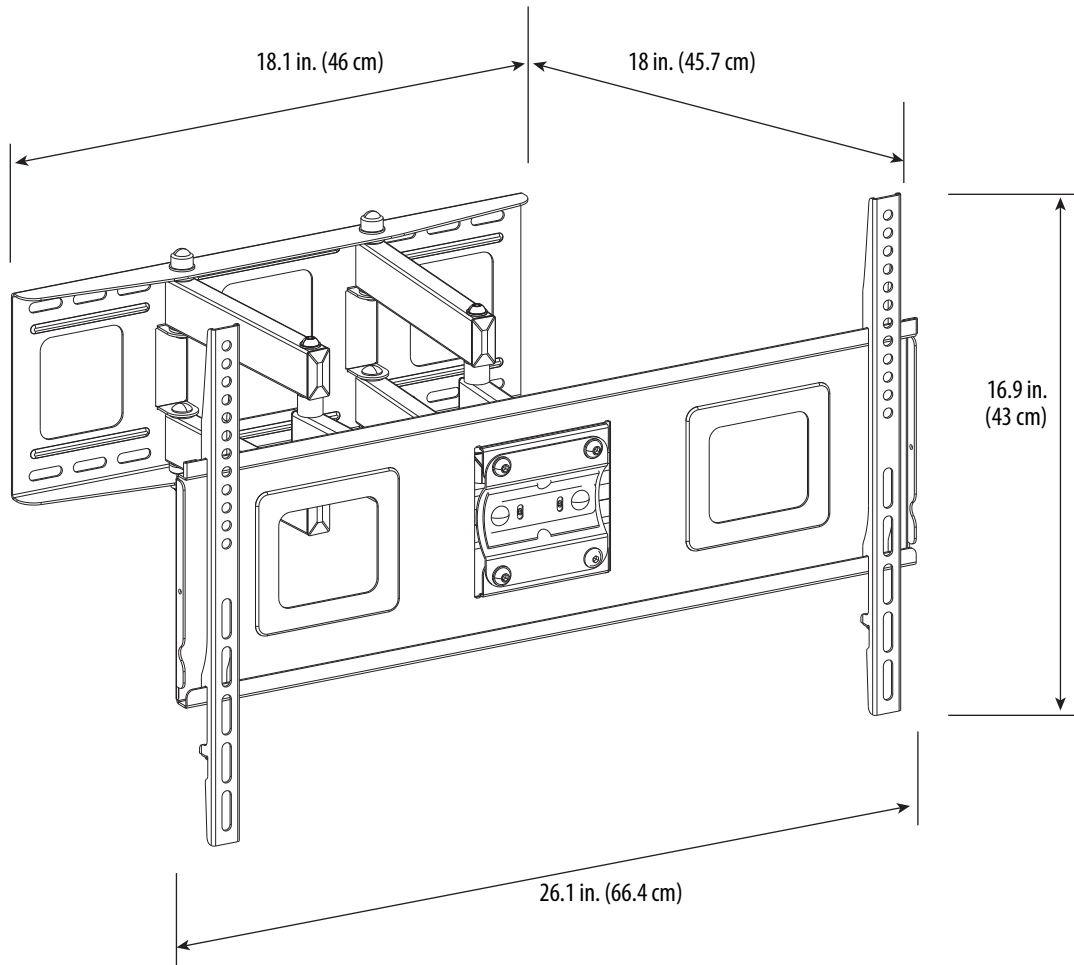
- Supports TVs from 47-84" and up to 110 lbs. (50 kg)
- Mounts to VESA patterns from 200 × 200 to 600 × 400 (with all common sizes in between)
- Center your TV with our lateral shift capability
- Adjust the viewing angle by swiveling and tilting
- Years of dependable use with our sturdy steel construction
- Built and backed by Best Buy

VESA TV screw hole patterns

Your wall mount works with the following VESA TV screw hole patterns:

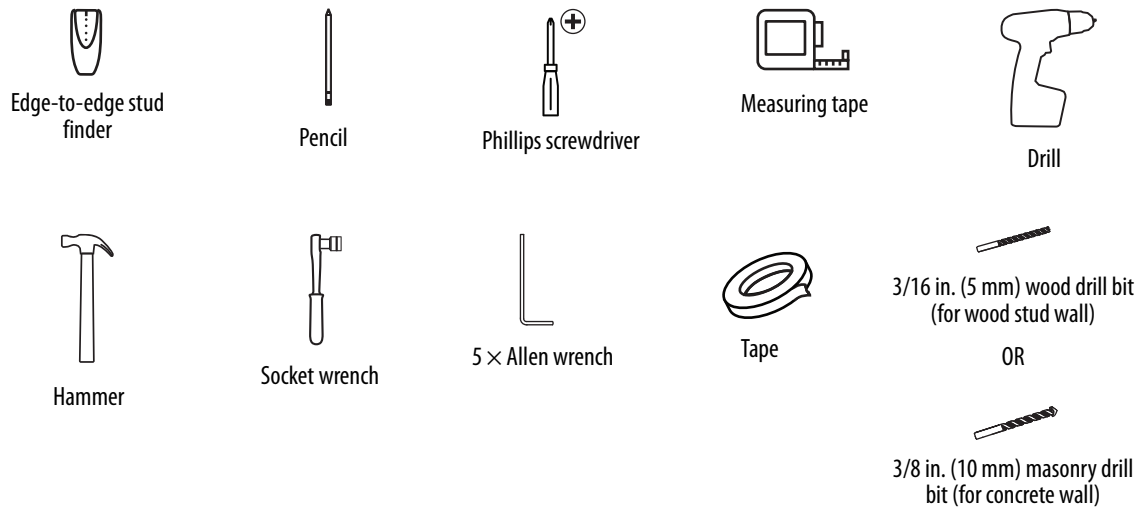
200 × 200 mm (7.9 × 7.9")	400 × 200 mm (15.7 × 7.9")	500 × 400 mm (19.7 × 15.7")
300 × 200 mm (11.8 × 7.9")	400 × 300 mm (15.7 × 11.8")	600 × 400 mm (23.6 × 15.7")
300 × 300 mm (11.8 × 11.8")	400 × 400 mm (15.7 × 15.7")	

Dimensions



Tools needed

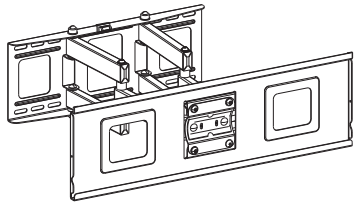
You need the following tools to assemble your new TV wall mount:



Package contents

Parts

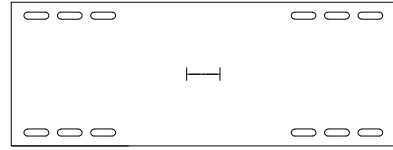
Make sure that you have all the parts and hardware necessary to assemble your new TV wall mount:



Wall Mount













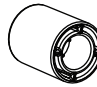





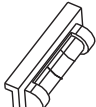

TV Brackets (2)



Wall Mount Template

TV Hardware Bag

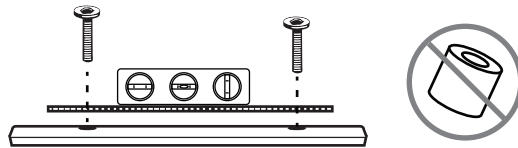
LABEL	HARDWARE	QTY.
A1	 M4 × 12 mm screw	4
A2	 M4 × 30 mm screw	4
A3	 M5 × 12 mm screw	4
A4	 M5 × 30 mm screw	4
A5	 M6 × 12 mm screw	4
A6	 M6 × 20 mm screw	4
A7	 M6 × 35 mm screw	4
A8	 M8 × 16 mm screw	4
A9	 M8 × 25 mm screw	4

LABEL	HARDWARE	QTY.
A10	 M8 × 50 mm screw	4
A11	 Spacer	4
A12	 M4/M5 washer	4
A13	 M6/M8 washer	4
B1	 Lag bolt	4
B2	 Concrete anchor	4
B3	 Lag bolt washer	4
	 Magnetic removable bubble level	1
	 Cable holder	3

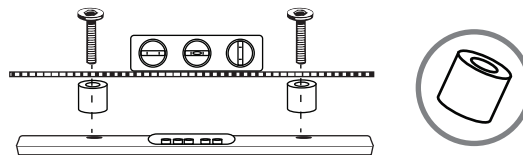
Installation instructions

STEP 1 - Determine whether your TV has a flat back or an irregular or obstructed back

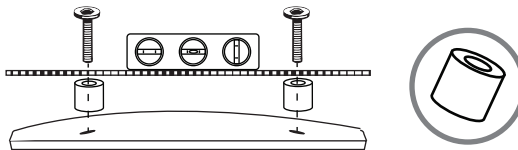
- 1 Carefully place your TV screen face-down on a cushioned, clean surface to protect the screen from damages and scratches.
- 2 If your TV has a table-top stand attached, remove the stand. See the documentation that came with your TV for instructions.
- 3 Lay the TV brackets, oriented vertically, on the back of your TV.
- 4 Align the screw holes in the TV brackets with the mounting screw holes on your TV.
- 5 Identify which type of back your TV has:
 - **Flat back:** The brackets lay flush against the back of your TV and do not block any jacks. You do not need spacers when assembling the wall mount.



- **Obstructed back:** The brackets block one or more of the jacks on the back of your TV. You need spacers when assembling the wall mount.



- **Irregularly-shaped back:** There is a gap between a bracket and some part of the back of your TV. You need spacers when assembling the wall mount.



- 6 Remove the TV brackets.

STEP 2 - Select screws, washers, and spacers

- 1 Select the hardware for your TV (screws, washers, and spacers). A limited number of TVs come with mounting hardware included. (If there are screws that came with your TV, they are almost always in the holes on the back of your TV.) If you don't know the correct length of the mounting screws your TV requires, test various sizes by hand-threading the screws.

Select one of the following types of screws:

For a TV with a flat back:

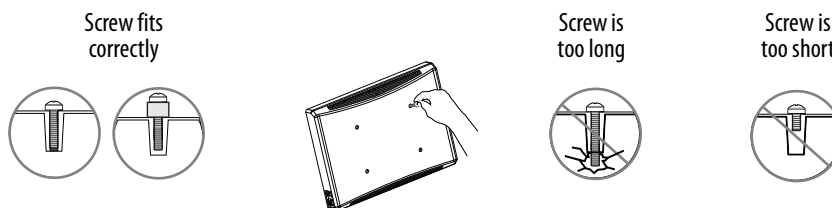
- M4 X 12 mm screws (A1)
- M5 X 12 mm screws (A3)
- M6 X 12 mm screws (A5)
- M8 X 16 mm screws (A8)

For a TV with an irregular/obstructed back:

- M4 X 30 mm screws (A2)
- M5 X 30 mm screws (A4)
- M6 X 20 mm screws (A6)
- M6 X 35 mm screws (A7)
- M8 X 25 mm screws (A9)
- M8 X 50 mm screws (A10)

If you use M4 or M5 screws, select the M4/M5 washer (A12) or if you use M6 or M8 screws, select the M6/M8 washer (A13). For an irregular or obstructed TV back, also use the spacers (A11).

CAUTION: To avoid potential personal injuries and property damage, make sure that there are adequate threads to secure the brackets to your TV. If you encounter resistance, stop immediately and contact customer service. Use the shortest screw and spacer combination to accommodate your TV. Using hardware that is too long may damage your TV. However, using a screw that is too short may cause your TV to fall from the mount.

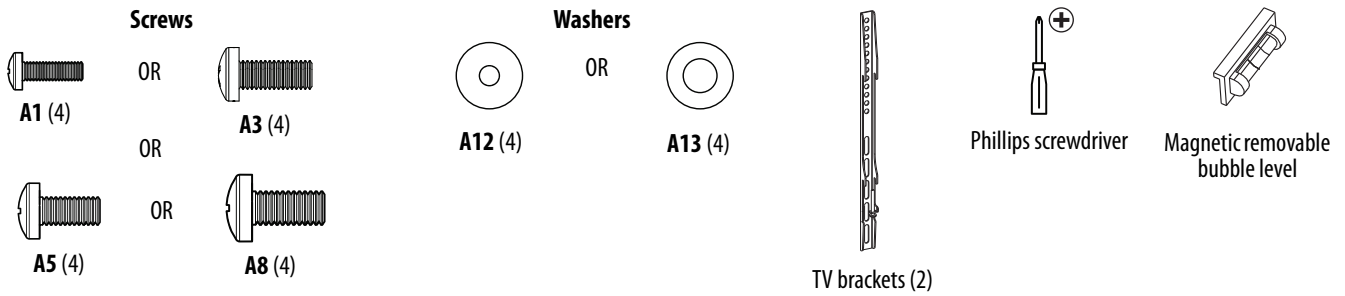


- 2 Remove the screws from the holes in the back of your TV.
- 3 For a flat back TV, go to STEP 3 - Option 1: Attach the mounting hardware to a TV with a flat back on page 8.
-OR-

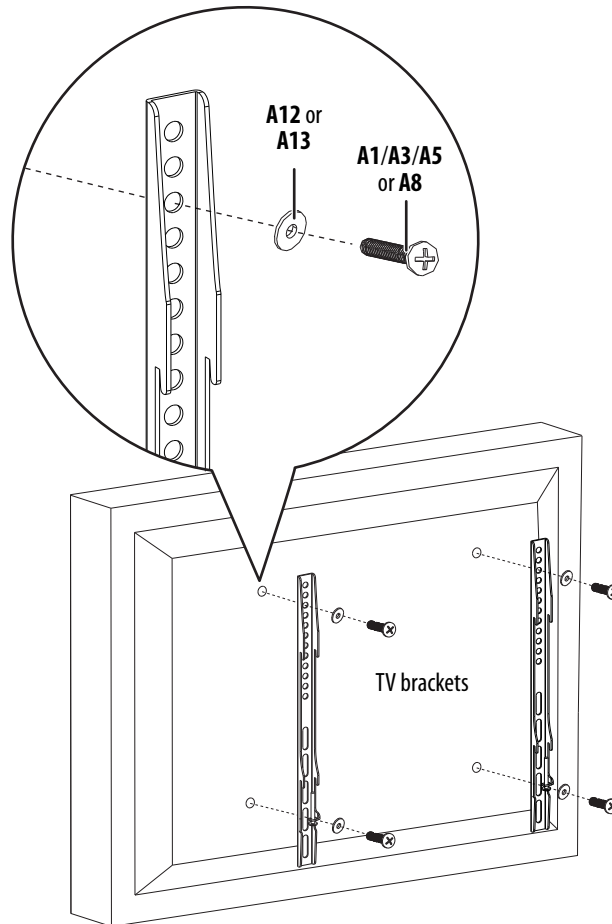
For an irregular or obstructed back, go to STEP 3 - Option 2: Attach the mounting hardware to a TV with an irregular or obstructed back on page 9.

STEP 3 - Option 1: Attach the mounting hardware to a TV with a flat back

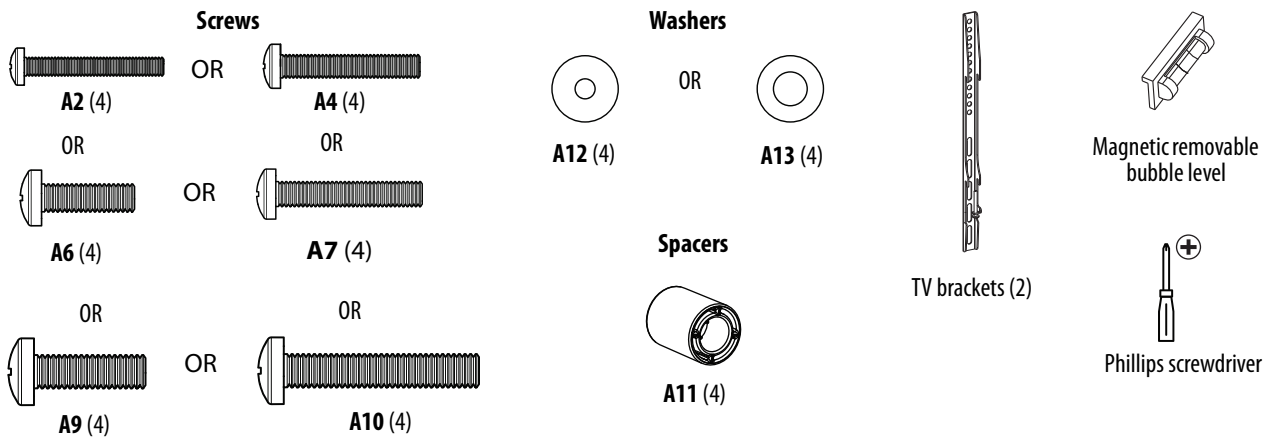
You'll need



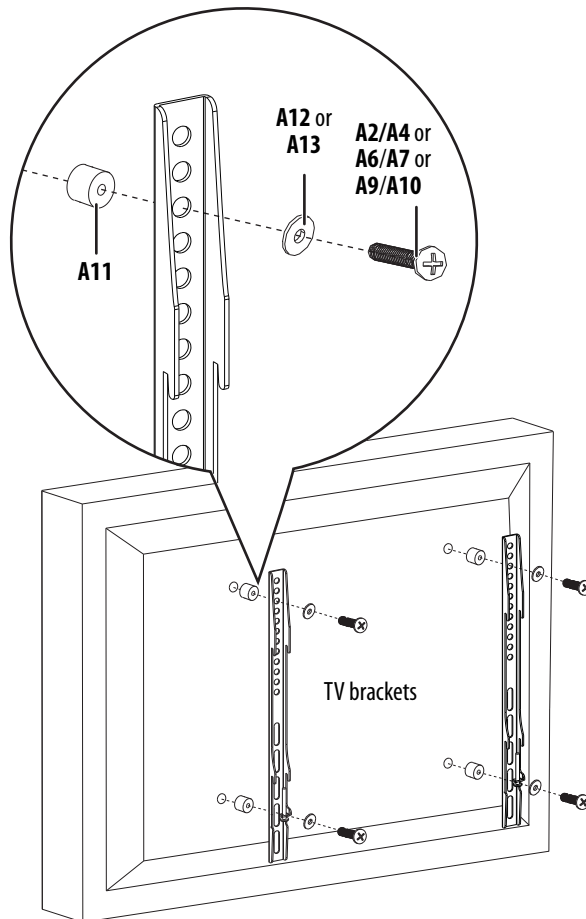
- 1 Align the left and right TV brackets with the screw holes on the back of your TV. Make sure that the brackets are level.
- 2 Install washers (**A12** or **A13**) and screws (**A1**, **A3**, **A5**, or **A8**) into the holes in the back of your TV.
- 3 Tighten the screws until they are snug against your TV brackets. Do not over tighten.



STEP 3 - Option 2: Attach the mounting hardware to a TV with an irregular or obstructed back You'll need



- 1 Place spacers (**A11**) over the holes on the back of your TV.
- 2 Align the left and right TV brackets with the screw holes on the back of your TV. Make sure that the brackets are level.
- 3 Place washers (**A12** or **A13**) over the holes in the TV brackets. Insert screws (**A2, A4, A6, A7, A9, or A10**) through the washers, TV brackets, and spacers and into the screw holes on the back of your TV.
- 4 Tighten the screws until they are snug against the TV brackets. Do not over tighten.



STEP 4 - Determine the wall-mount location

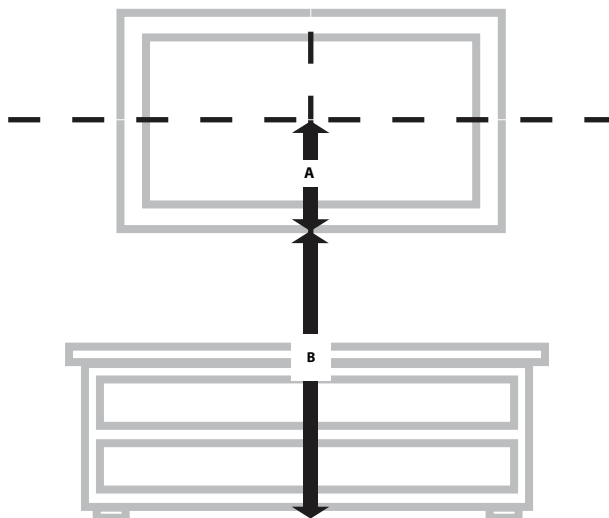
You'll need

**Notes:**

- For more detailed information on determining where to drill your holes, visit our online height-finder at: <http://mf1.bestbuy.selectionassistant.com/index.php/heightfinder>
- Your TV should be high enough so your eyes are level with the middle of the screen. This is normally 40 to 60 in. from the ground.

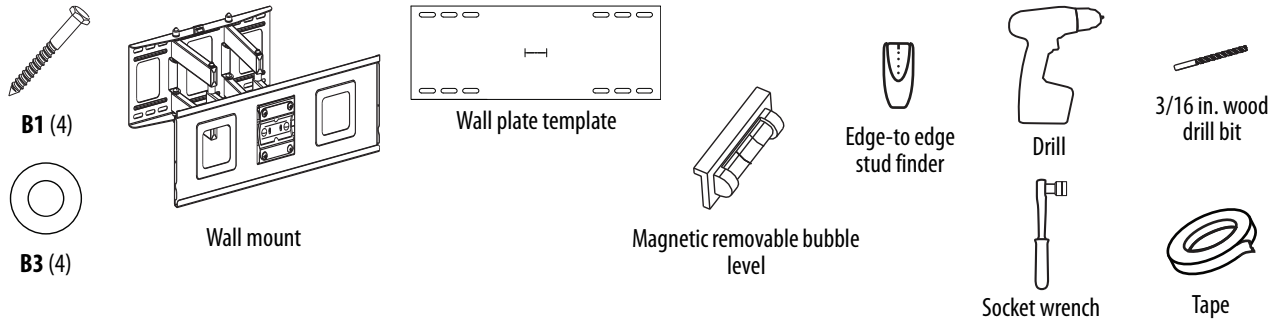
The center of your TV will be offset .8 in. lower than the center of the wall plate on the wall-mount. Before you drill holes in the wall:

- 1 Measure the distance from the bottom of your TV to the center point halfway between the top and bottom mounting holes on the back of your TV. This is measurement **a**.
- 2 Measure the distance from the floor to where you want the bottom of your TV to be placed on the wall. Keep in mind that the bottom of your TV should be placed above any furniture (such as entertainment centers or TV stands). Your TV should also be above items placed on top of the furniture (like a Blu-ray player or cable box). This measurement is **b**.
- 3 Add **a + b**. The total measurement is the height where you want the center of the wall plate to be on the wall.
- 4 Use a pencil to mark this spot on the wall.



STEP 5 - Option 1: Install on a wood stud* wall

You'll need

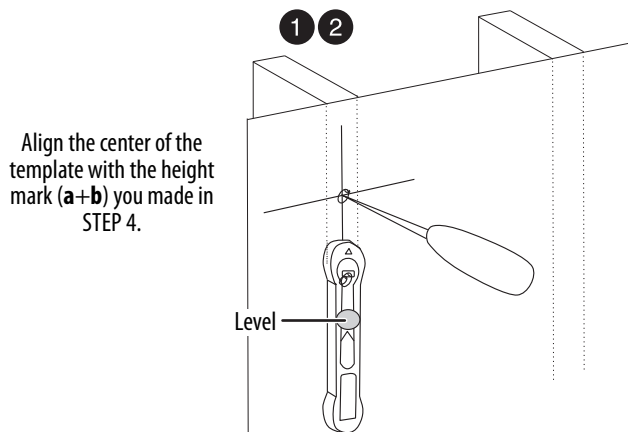


Note: Any drywall covering the wall must not exceed 5/8 in. (16 mm).

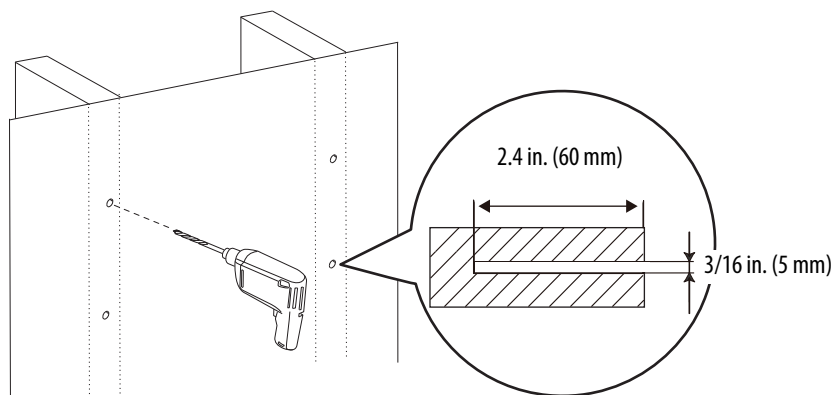
- 1 Locate the stud. Verify the center of the stud with an edge-to-edge stud finder.
- 2 Align the center of the wall plate template at the height (**a + b**) you determined in the previous step, make sure that the template is level, then tape it to the wall.

* Minimum wood stud size: common 2 × 4 in. (51 × 102 mm) nominal 1 1/2 × 3 1/2 in. (38 × 89 mm).

* Minimum horizontal spacing between fasteners cannot be less than 16 in. (406 mm).

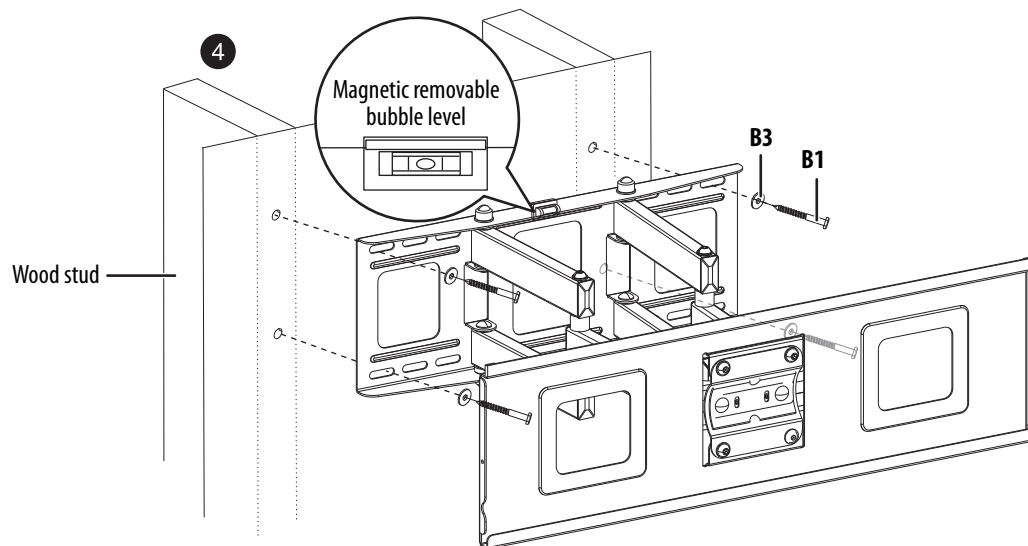


- 3 Drill four pilot holes through the template to a depth of 2.4 in. (60 mm) using a 3/16 in. (5 mm) diameter drill bit, then remove the template.



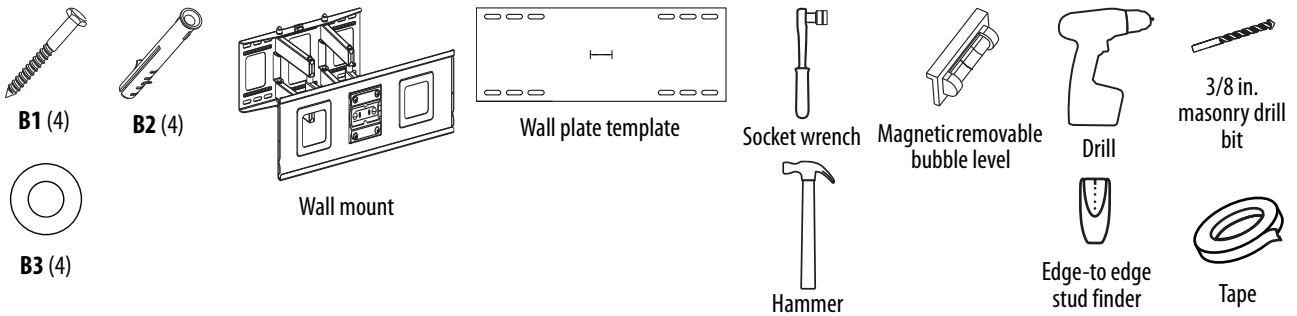
- Align the wall plate on the wall mount with the pilot holes, insert the lag bolts (**B1**) through the lag bolt washers (**B3**), then through the holes in the wall plate. Make sure that the wall plate is level. Tighten the lag bolts with a socket wrench only until they are firm against the wall plate.

CAUTION: DO NOT over-tighten the lag bolts (**B1**).



STEP 5 - Option 2: Install on a solid concrete or concrete block wall

You'll need



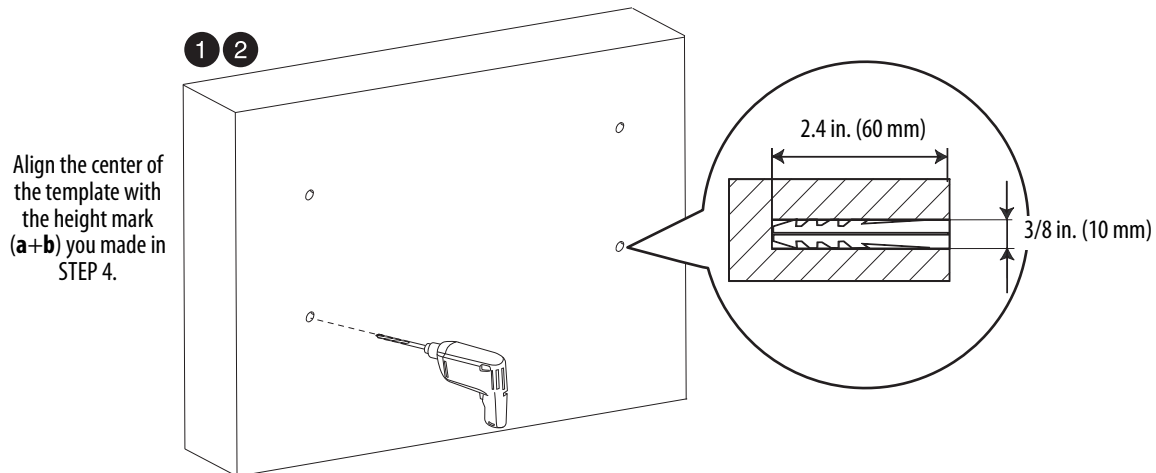
CAUTION: To prevent property damage or personal injury, never drill into the mortar between blocks. Mount the wall plate directly onto the concrete surface.

- 1 Align the center of the wall plate template at the height (**a + b**) you determined in the previous step, make sure that it is level, then tape it to the wall.
- 2 Drill four pilot holes through the template to a depth of 2.4 in. (60 mm) using a 3/8 in. (10 mm) diameter masonry drill bit, then remove the template.

* Minimum solid concrete thickness: 8 in. (203mm)

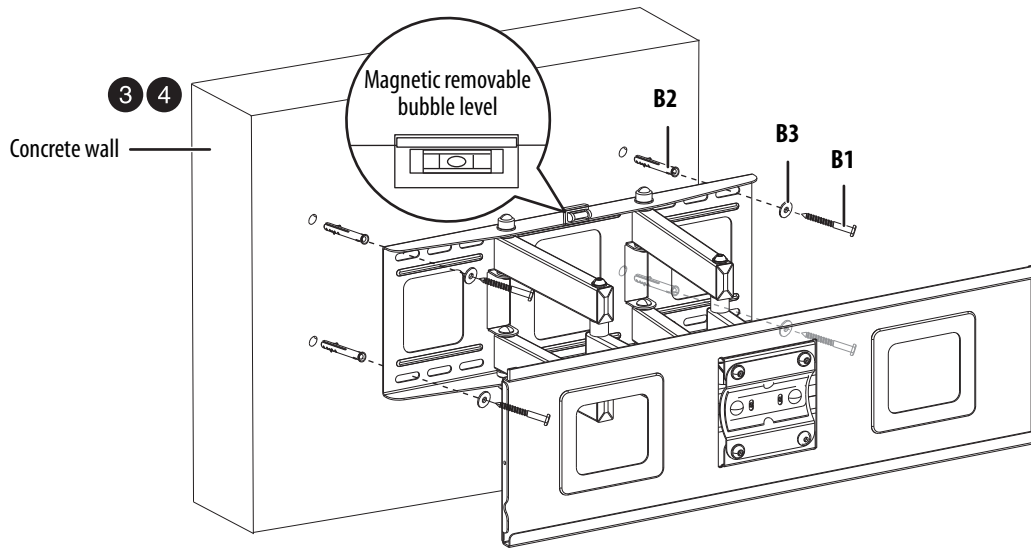
* Minimum concrete block size: 8 x 8 x 16 in. (203 x 203 x 406 mm).

* Minimum horizontal spacing between fasteners cannot be less than 16 in. (406 mm).



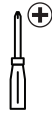
- 3 Insert the concrete wall anchors (**B2**) into the pilot holes and use a hammer to make sure that the anchors are flush with the concrete surface.
- 4 Align the wall plate on the wall mount with the anchors, insert the lag bolts (**B1**) through the lag bolt washers (**B3**), then through the holes in the wall plate. Make sure that the wall plate is level. Tighten the lag bolts with a socket wrench only until they are firm against the wall plate.

CAUTION: DO NOT over-tighten the lag bolts (**B1**).



STEP 6 - Secure your TV to the wall plate

You'll need



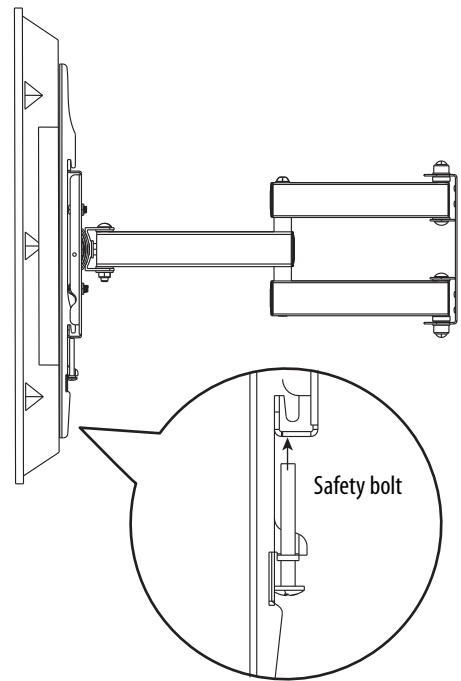
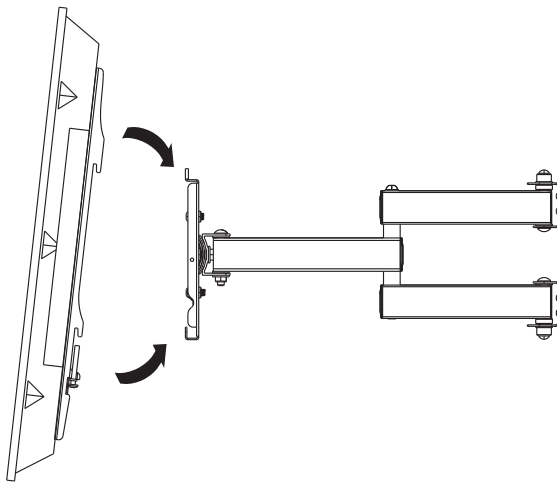
Phillips screwdriver

- 1 Holding your TV with the top of the screen tilted toward the wall, slide the upper edges of the right and left TV brackets into the notches on the upper lip of your TV wall plate.
- 2 Push the bottom of your TV toward the wall until the safety bolts click into place, then tighten the bolts with a Phillips screw driver.

CAUTION: Do not release your TV until the TV brackets are securely locked onto the wall plate.



HEAVY! You will need assistance with this step.



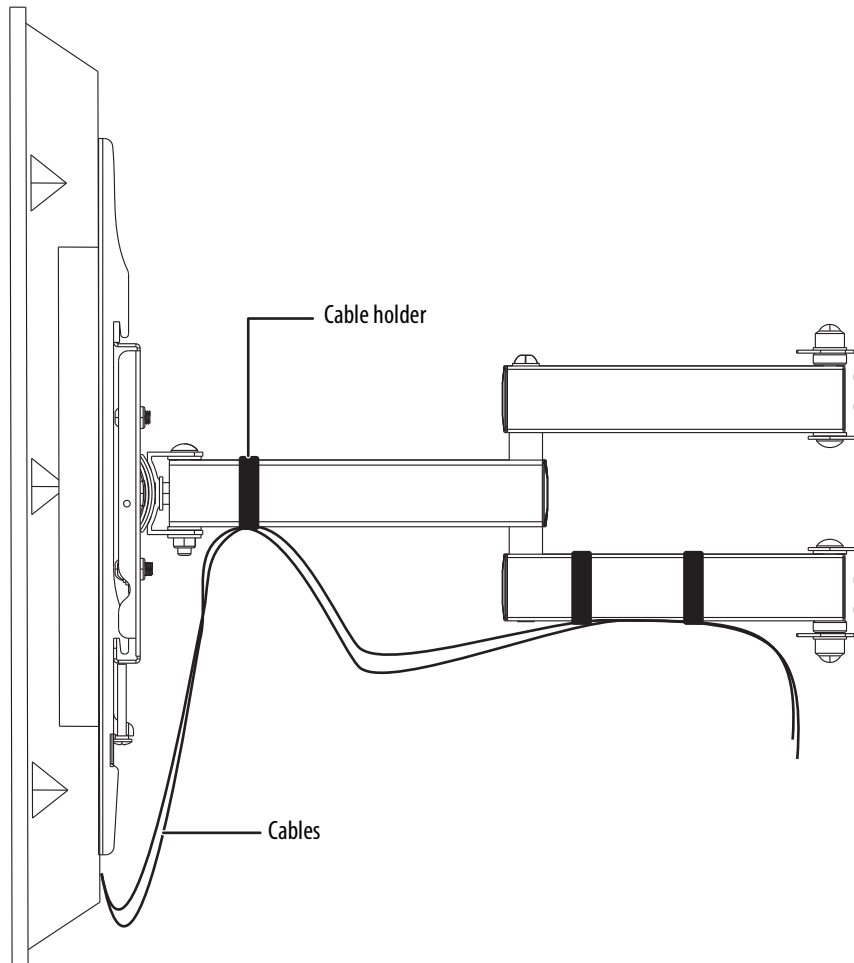
STEP 7 - Manage cables

You'll need



Cable holder (3)

- Thread cables for attached devices along the mounting arm, then snap the cable holders over the cables to hold them in place.

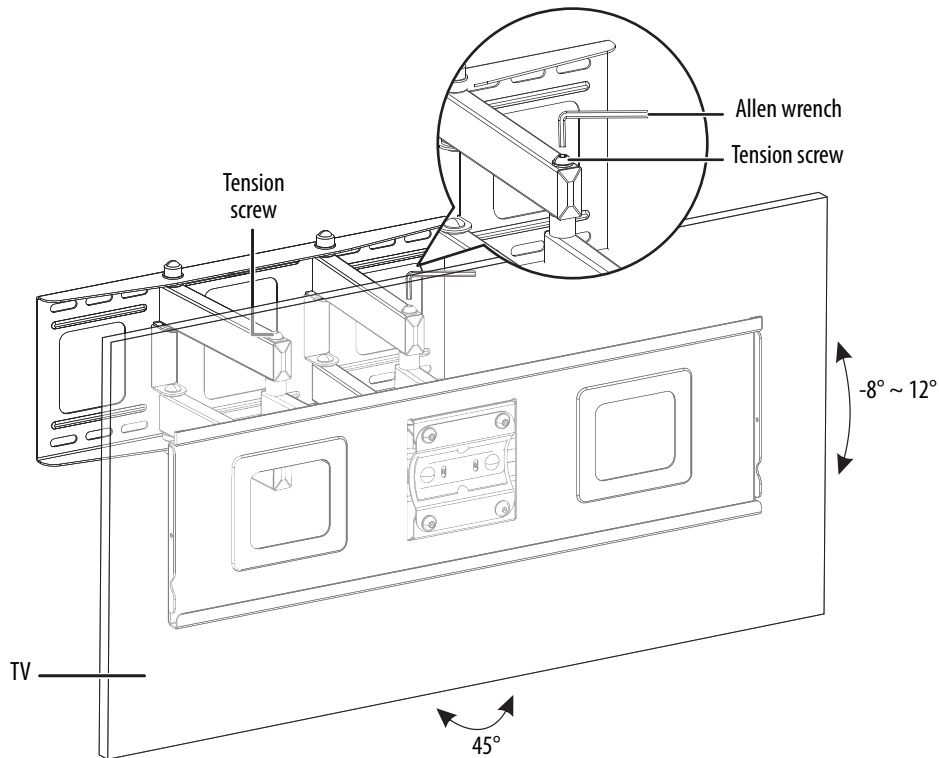


STEP 8 - Adjust the mount arm and tilt angles

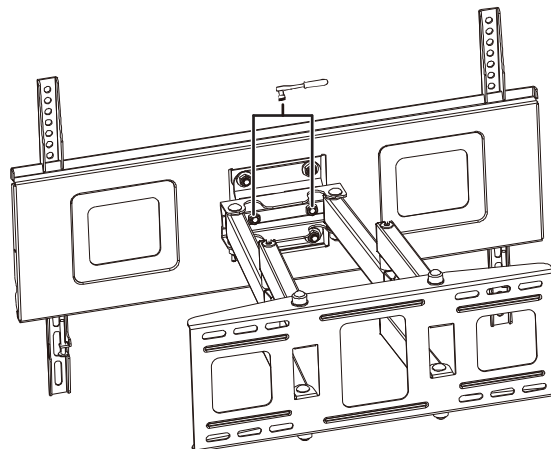
You'll need



- 1 To adjust the arms' tension (to make the arm easier or harder to move), loosen or tighten the tension screws with an Allen wrench.
- 2 To rotate your TV left or right, hold the sides of your TV, then push one side while pulling the other side.
- 3 To tilt of your TV up or down, hold the top and bottom of your TV, then tilt your TV forward or backward.



- 4 If the TV screen sags, tighten the two bolts (shown below) on the TV plate with a socket wrench until they are snug.



ONE-YEAR LIMITED WARRANTY

Definitions:

The Distributor* of Best Buy Essentials branded products warrants to you, the original purchaser of this new Best Buy Essentials-branded product ("Product"), that the Product shall be free of defects in the original manufacturer of the material or workmanship for a period of one (1) year from the date of your purchase of the Product ("Warranty Period").

For this warranty to apply, your Product must be purchased in the United States or Canada from a Best Buy branded retail store or online at www.bestbuy.com or www.bestbuy.ca and is packaged with this warranty statement.

How long does the coverage last?

The Warranty Period lasts for 1 year (365 days) from the date you purchased the Product. Your purchase date is printed on the receipt you received with the Product.

What does this warranty cover?

During the Warranty Period, if the original manufacture of the material or workmanship of the Product is determined to be defective by an authorized Best Buy Essentials repair center or store personnel, Best Buy Essentials will (at its sole option): (1) repair the Product with new or rebuilt parts; or (2) replace the Product at no charge with new or rebuilt comparable products or parts. Products and parts replaced under this warranty become the property of Best Buy Essentials and are not returned to you. If service of Products or parts are required after the Warranty Period expires, you must pay all labor and parts charges. This warranty lasts as long as you own your Best Buy Essentials Product during the Warranty Period. Warranty coverage terminates if you sell or otherwise transfer the Product.

How to obtain warranty service?

If you purchased the Product at a Best Buy retail store location or from a Best Buy online website (www.bestbuy.com or www.bestbuy.ca), please take your original receipt and the Product to any Best Buy store. Make sure that you place the Product in its original packaging or packaging that provides the same amount of protection as the original packaging.

To obtain warranty service, in the United States and Canada call 1-866-597-8427. Call agents may diagnose and correct the issue over the phone.

Where is the warranty valid?

This warranty is valid only in the United States and Canada at Best Buy branded retail stores or websites to the original purchaser of the product in the country where the original purchase was made.

What does the warranty not cover?

This warranty does not cover:

- Customer instruction/education
- Installation
- Set up adjustments
- Cosmetic damage
- Damage due to weather, lightning, and other acts of God, such as power surges
- Accidental damage
- Misuse
- Abuse
- Negligence
- Commercial purposes/use, including but not limited to use in a place of business or in communal areas of a multiple dwelling condominium or apartment complex, or otherwise used in a place of other than a private home.
- Modification of any part of the Product, including the antenna
- Display panel damaged by static (non-moving) images applied for lengthy periods (burn-in).
- Damage due to incorrect operation or maintenance
- Connection to an incorrect voltage or power supply
- Attempted repair by any person not authorized by Best Buy Essentials to service the Product
- Products sold "as is" or "with all faults"
- Consumables, including but not limited to batteries (i.e. AA, AAA, C etc.)
- Products where the factory applied serial number has been altered or removed
- Loss or Theft of this product or any part of the product
- Display panels containing up to three (3) pixel failures (dots that are dark or incorrectly illuminated) grouped in an area smaller than one tenth (1/10) of the display size or up to five (5) pixel failures throughout the display. (Pixel based displays may contain a limited number of pixels that may not function normally.)
- Failures or Damage caused by any contact including but not limited to liquids, gels or pastes.

REPAIR REPLACEMENT AS PROVIDED UNDER THIS WARRANTY IS YOUR EXCLUSIVE REMEDY FOR BREACH OF WARRANTY. BEST BUY ESSENTIALS SHALL NOT BE LIABLE FOR ANY INCIDENTAL OR CONSEQUENTIAL DAMAGES FOR THE BREACH OF ANY EXPRESS OR IMPLIED WARRANTY ON THIS PRODUCT, INCLUDING, BUT NOT LIMITED TO, LOST DATA, LOSS OF USE OF YOUR PRODUCT, LOST BUSINESS OR LOST PROFITS. BEST BUY ESSENTIALS PRODUCTS MAKES NO OTHER EXPRESS WARRANTIES WITH RESPECT TO THE PRODUCT, ALL EXPRESS AND IMPLIED WARRANTIES FOR THE PRODUCT, INCLUDING BUT NOT LIMITED TO ANY IMPLIED WARRANTIES OF AND CONDITIONS OF MERCHANTABILITY AND FITNESS FOR A PARTICULAR PURPOSE, ARE LIMITED IN DURATION TO THE WARRANTY PERIOD SET FORTH ABOVE AND NO WARRANTIES, WHETHER EXPRESS OR IMPLIED, WILL APPLY AFTER THE WARRANTY PERIOD. SOME STATES, PROVINCES AND JURISDICTIONS DO NOT ALLOW LIMITATIONS ON HOW LONG AN IMPLIED WARRANTY LASTS, SO THE ABOVE LIMITATION MAY NOT APPLY TO YOU. THIS WARRANTY GIVES YOU SPECIFIC LEGAL RIGHTS, AND YOU MAY ALSO HAVE OTHER RIGHTS, WHICH VARY FROM STATE TO STATE OR PROVINCE TO PROVINCE.

Contact Best Buy Essentials:

1-866-597-8427

www.bestbuy.com/bestbuyessentials

BEST BUY ESSENTIALS is a trademark of Best Buy and its affiliated companies.

*Distributed by Best Buy Purchasing, LLC

7601 Penn Ave South, Richfield, MN 55423 U.S.A.

©2021 Best Buy. All rights reserved.

ESPAÑOL

INSTRUCCIONES IMPORTANTES DE SEGURIDAD

GUARDE ESTAS INSTRUCCIONES

ADVERTENCIA: No utilice este producto con cualquier propósito que no esté explícitamente especificado por BEST BUY ESSENTIALS.

- Una instalación inadecuada podría causar daños materiales o lesiones personales. Si no comprende estas instrucciones, o tiene dudas sobre la seguridad de la instalación, póngase en contacto con Servicio al cliente o llame a un contratista calificado Best Buy Essentials no se hace responsable por daños o lesiones causadas por una instalación o uso incorrecto.
- El peso de su televisor no debe exceder 110 lb. (50 kg). La pared debe ser capaz de soportar cinco veces el peso de su televisor, incluyendo el montaje de pared.
- Este producto contiene piezas pequeñas que representan un peligro de asfixia si se tragan. ¡Mantenga estas piezas alejadas de los niños!

Características

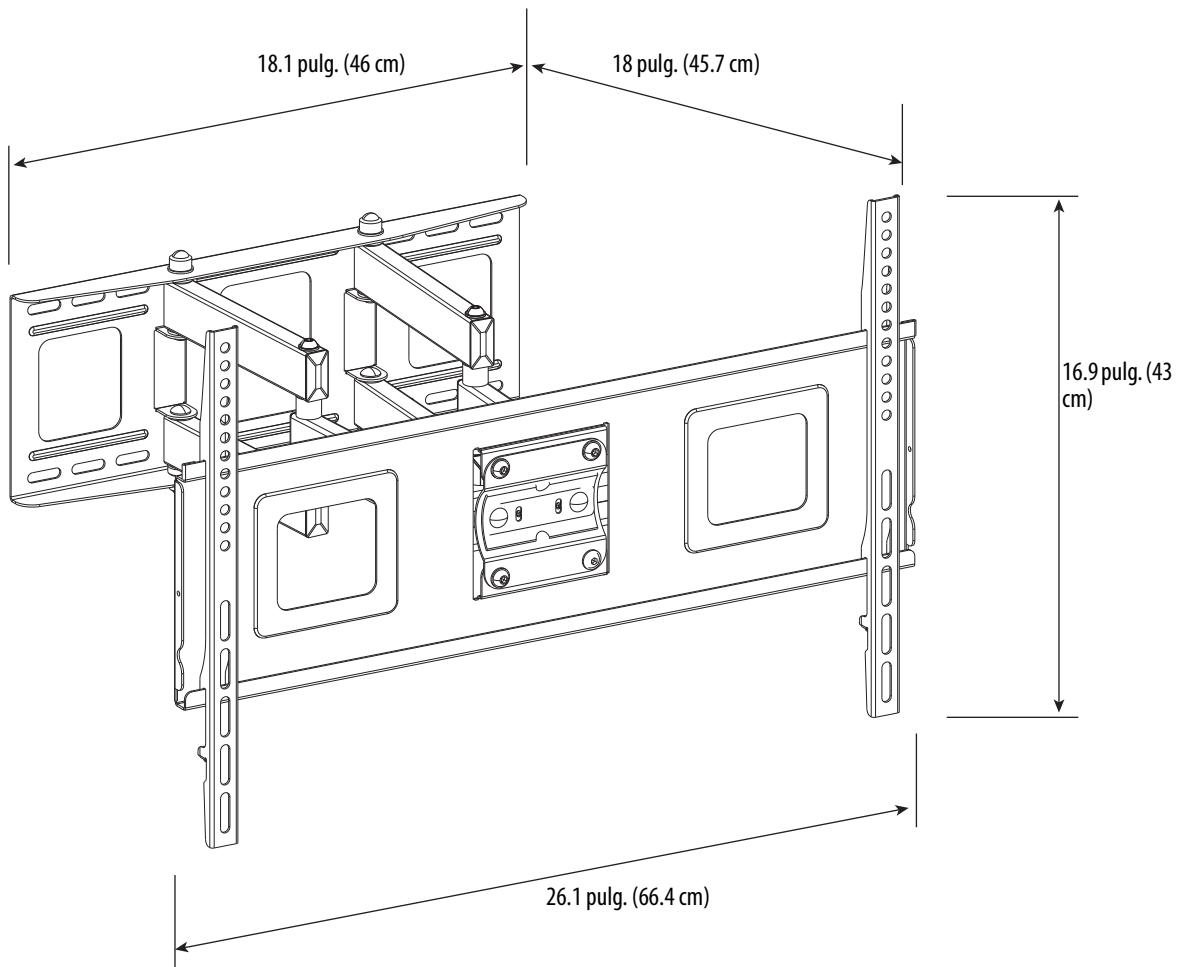
- Aguanta televisores de 47 a 84 pulg. y de hasta 110 lb (50 kg)
- Compatible con patrones VESA desde 200 × 200 hasta 600 × 400 (con todos los tamaños comunes entre ellos)
- Centre su televisor con nuestra capacidad de desplazamiento lateral
- Ajuste el ángulo de visión mediante el giro y la inclinación
- Años de uso confiable con nuestra robusta construcción de acero
- Construido y respaldado por Best Buy

Patrones de agujeros de tornillos VESA para televisores

Su soporte de pared funciona con los siguientes patrones de orificios para tornillos VESA para televisores:




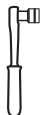



200 × 200 mm (7.9 × 7.9 pulg.)	400 × 200 mm (15.7 × 7.9 pulg.)	500 × 400 mm (19.7 × 15.7 pulg.)
300 × 200 mm (11.8 × 7.9 pulg.)	400 × 300 mm (15.7 × 11.8 pulg.)	600 × 400 mm (23.6 × 15.7 pulg.)
300 × 300 mm (11.8 × 11.8 pulg.)	400 × 400 mm (15.7 × 15.7 pulg.)	

Dimensiones



Herramientas requeridas

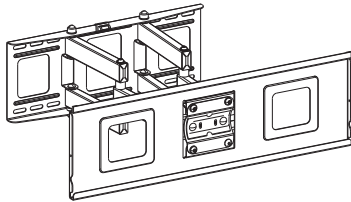
Necesitará las siguientes herramientas para ensamblar su montaje de pared nuevo para el televisor:

- | | | | | |
|---|--|--|--|---|
| 
Detector de vigas de borde a borde | 
Lápiz | 
Destornillador Phillips | 
Cinta métrica | 
Taladro |
| 
Martillo | 
Llave de tubo | 
Llave Allen 5 × | 
Cinta adhesiva | 
Broca de taladro para madera de 3/16 pulg. (5 mm)
(para pared con vigas de madera)
0 |
| | | | | 
Broca de taladro para concreto de 3/8 pulg. (10 mm) para pared de concreto |

Contenido del paquete

Elementos

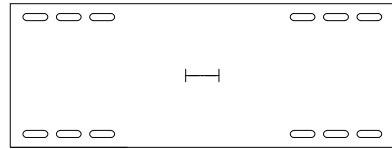
Asegúrese de tener todas las piezas y los accesorios necesarios para montar su soporte de montaje en pared nuevo:



Montaje en pared







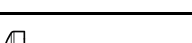

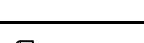



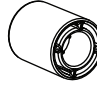





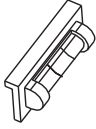

Soportes para televisor (2)



Plantilla de montaje en pared

Bolsa de accesorios para televisor

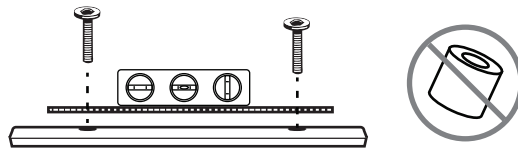
ETIQUET A	ACCESORIOS	CANT .
A1	 Tornillo M4 de 12 mm	4
A2	 Tornillo M4 de 30 mm	4
A3	 Tornillo M5 de 12 mm	4
A4	 Tornillo M5 de 30 mm	4
A5	 Tornillo M6 de 12 mm	4
A6	 Tornillo M6 de 20 mm	4
A7	 Tornillo M6 de 35 mm	4
A8	 Tornillo M8 de 16 mm	4
A9	 Tornillo M8 de 25 mm	4

ETIQUET A	ACCESORIOS	CANT .
A10	 Tornillo M8 de 50 mm	4
A11	 Espaciador	4
A12	 Arandela M4/M5	4
A13	 Arandela M6/M8	4
B1	 Perno de retraso	4
B2	 Anclajes para concreto	4
B3	 Arandela para perno de retraso	4
	 Nivel de burbuja magnético extraíble	1
	 Sostenedor de cable	3

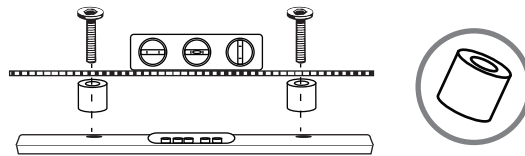
Instrucciones de instalación

PASO 1 - Determine si su televisor tiene una parte posterior plana, irregular u obstruida

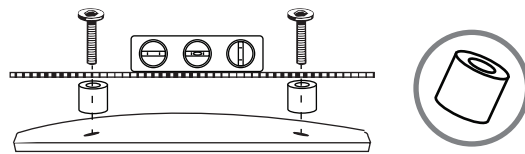
- 1 Coloque cuidadosamente el televisor con la pantalla hacia abajo, sobre una superficie acolchonada y limpia para protegerlo de daños y rayones.
- 2 Si su televisor tiene una base para mesa instalada, remueva la base. Refiérase a los documentos que vienen con su televisor para obtener instrucciones.
- 3 Ponga los soportes para televisor, orientada verticalmente en la parte posterior de su televisor.
- 4 Alinee los agujeros de tornillos en los soportes del televisor con los agujeros de tornillo de montaje en su televisor.
- 5 Determine que tipo de parte posterior su televisor tiene:
 - **Panel posterior plano:** los soportes están al ras de la parte posterior de su televisor y no bloquean ninguna toma. No necesitará espaciadores al ensamblar el soporte de montaje en pared.



- **Parte posterior obstruida:** el soporte bloquea una o más de las tomas en la parte posterior de su televisor. Necesitará espaciadores al ensamblar el soporte de montaje de pared.



- **Parte posterior con forma irregular:** hay un espacio entre un soporte y alguna parte de la parte posterior de su televisor. Necesitará espaciadores al ensamblar el soporte de montaje de pared.



- 6 Retire los soportes del televisor

PASO 2 - Selección de los tornillos, arandelas y espaciadores

- 1 Seleccione los herrajes para su televisor (tornillos, arandelas y espaciadores). Algunos televisores vienen con accesorios de montaje incluido. (Si hay tornillos que vinieron con su televisor, casi siempre están en los agujeros de la parte posterior del televisor). Si no conoce la longitud y el diámetro correcto de los tornillos de montaje que su televisor requiere, pruebe tamaños diferentes enroscándolos manualmente.

Seleccione uno de los siguientes tipos de tornillo:

Para un televisor con parte posterior plana:

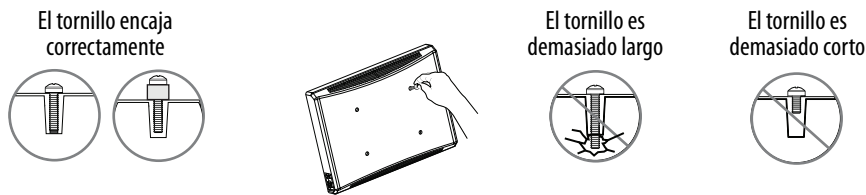
- Tornillos M4 de 12 mm (A1)
- Tornillos M5 de 12 mm (A3)
- Tornillos M6 de 12 mm (A5)
- Tornillos M8 de 16 mm (A8)

Para un televisor con parte posterior irregular u obstruida:

- Tornillos M4 de 30 mm (A2)
- Tornillos M5 de 30 mm (A4)
- Tornillos M6 de 20 mm (A6)
- Tornillos M6 de 35 mm (A7)
- Tornillos M8 de 25 mm (A9)
- Tornillos M8 de 50 mm (A10)

Si usa tornillos M4 o M5, seleccione la arandela M4/M5 (A12) o si usa tornillos M6 o M8, seleccione la arandela M6/M8 (A13). Para televisores con una parte posterior irregular u obstruida, utilice también los espaciadores (A11).

ADVERTENCIA: Para evitar posibles lesiones personales y daños materiales, asegúrese de que haya una rosca adecuada para asegurar los soportes a su televisor. Si encuentra resistencia, deténgase inmediatamente y póngase en contacto con Servicio al cliente. Utilice la combinación de tornillo y espaciador más corta para acomodar su televisor. Usar accesorios demasiado largos puede dañar su televisor. Sin embargo, el uso de un tornillo que es demasiado corto puede causar la caída del televisor del montaje.



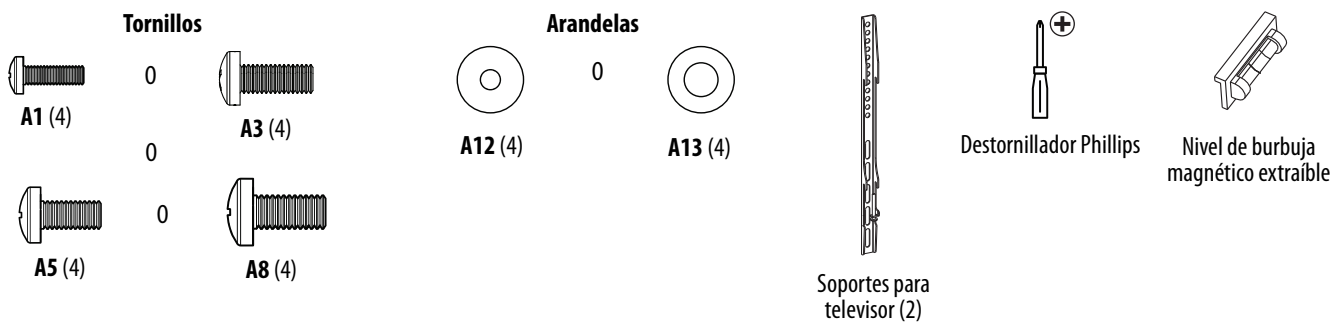
- 2 Retire los tornillos de los agujeros en la parte posterior de su televisor.
- 3 Para un televisor con parte posterior plana, refiérase a la sección STEP 3 - Option 1: Attach the mounting hardware to a TV with a flat back en la página 8.

- O -

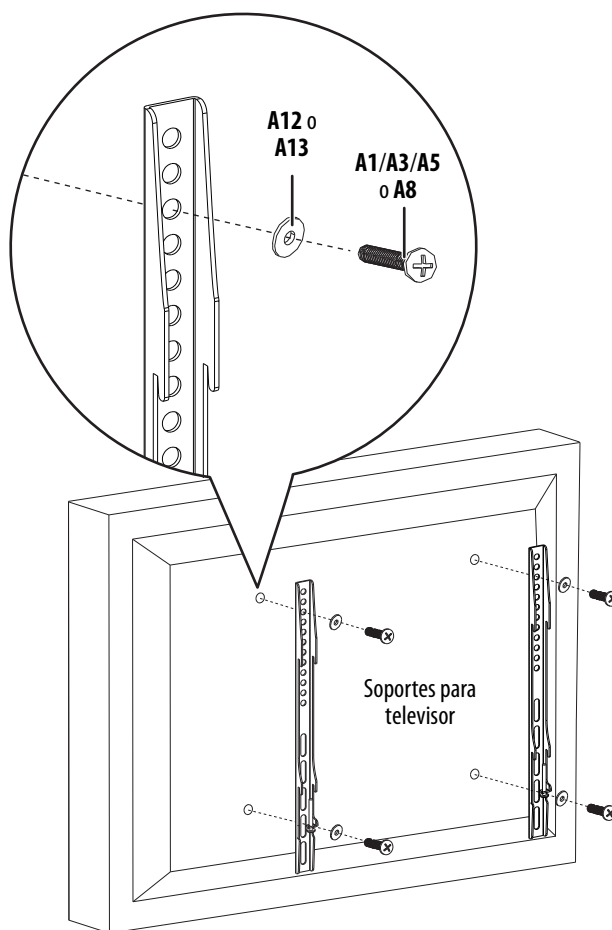
Para una parte posterior irregular u obstruida, refiérase a la sección STEP 3 - Option 2: Attach the mounting hardware to a TV with an irregular or obstructed back en la página 9.

PASO 3 - Opción 1: Instalación de la ferretería de montaje para televisor con una parte posterior plana

Necesitará

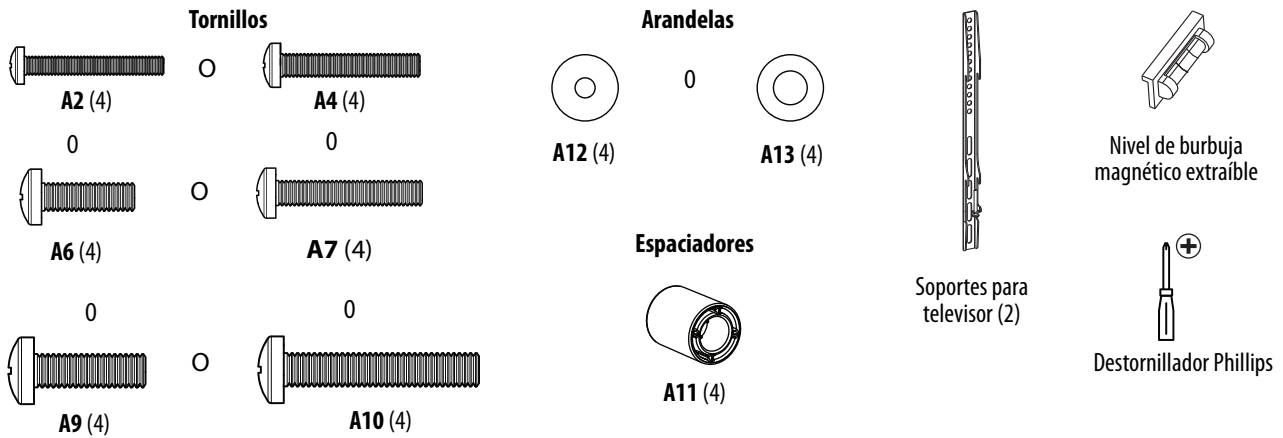


- 1 Alinee los soportes izquierdo y derecho con los agujeros para los tornillos en la parte posterior de su televisor. Asegúrese de que los soportes estén a nivel.
- 2 instale las arandelas (A12 o A13) y los tornillos (A1, A3, A5, o A8) en los agujeros de la parte posterior de su televisor.
- 3 Apriete los tornillos hasta que estén firmemente contra los soportes del televisor. No apriete demasiado.



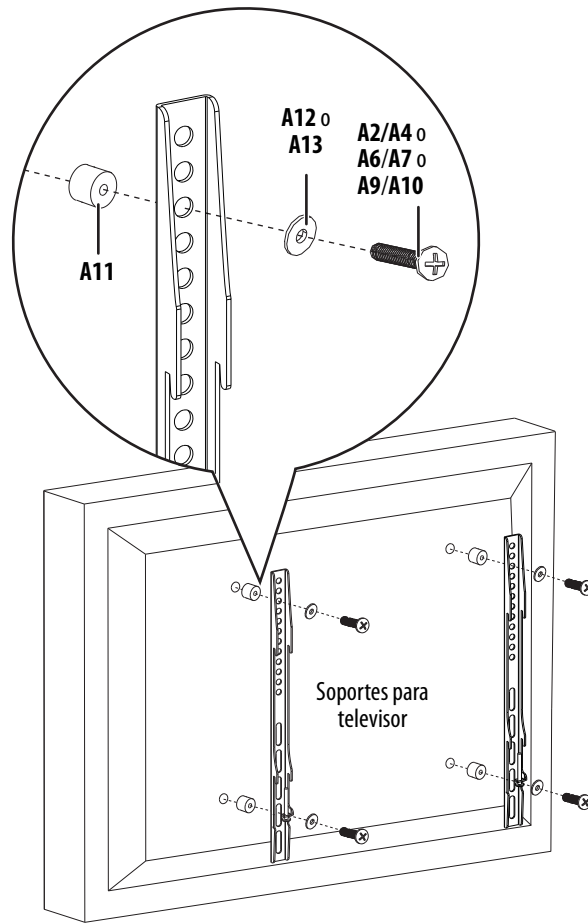
PASO 3 - Opción 2: Instalación de la tornillería de montaje en un televisor con la parte posterior irregular u obstruida

Necesitará



- 1 Coloque los espaciadores (**A11**) sobre los agujeros para tornillos en la parte posterior de su televisor.
- 2 Alinee los soportes izquierdo y derecho con los agujeros para los tornillos en la parte posterior de su televisor. Asegúrese de que los soportes estén a nivel.
- 3 Coloque las arandelas (**A12** o **A13**) sobre los agujeros en los soportes para televisor. Coloque los tornillos (**A2, A4, A6, A7, A9** o **A10**) a través de las arandelas, los soportes del televisor y los espaciadores y en los agujeros de los tornillos en la parte posterior de su televisor.

4 Apriete los tornillos hasta que estén firmemente contra los soportes del televisor. No apriete demasiado.



PASO 4 - Determine la ubicación del montaje en pared

Necesitará

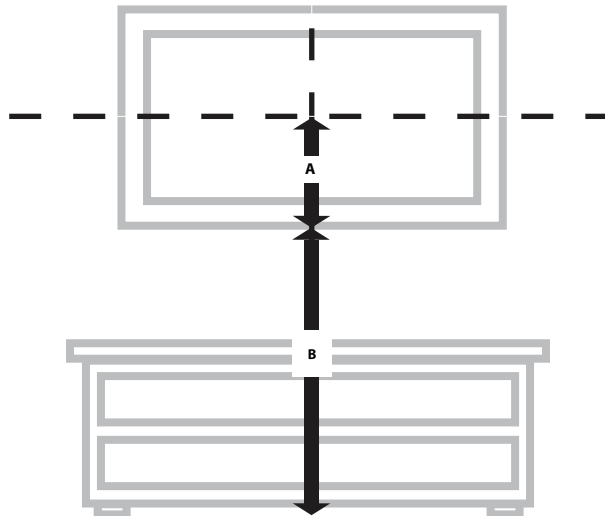


Notas:

- Para información más detallada en como determinar donde taladrar los agujeros, visite el sitio height-finder (Detector de altura) en línea en: <http://mf1.bestbuy.selectionassistant.com/index.php/heightfinder>
- Su televisor debe de estar lo suficientemente alto que sus ojos estén al mismo nivel del centro de la pantalla. Normalmente, de 40 a 60 pulgadas del piso.

El centro de su televisor estará desplazado de 0.8 pulg. más bajo que el centro de la placa para pared en el montaje en pared. Antes de taladrar los agujeros en la pared:

- 1 Mida la distancia desde la parte inferior de su televisor al punto medio entre los agujeros de montaje superior e inferior en la parte posterior de su televisor. Esta medida es **a**.
- 2 Mida la distancia desde el suelo hasta donde desea que la parte inferior del televisor sea colocada en la pared. Recuerde que la parte inferior del televisor se debe colocar por encima de cualquier mueble (tales como los centros de entretenimiento o las bases de televisor). Su televisor también debería de estar colocado por encima de los componentes (como un reproductor de discos Blu-ray o un receptor de TV por cable). Esta medida es **b**.
- 3 Adicione **a + b**. La medida total es la altura donde debe de estar el centro de la placa de pared en la pared.
- 4 Use un lápiz para marcar este lugar en la pared.

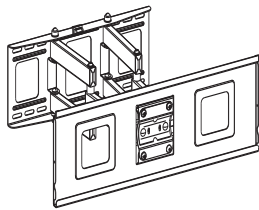


PASO 5 - Opción 1: Instalación en una pared con viga de madera*

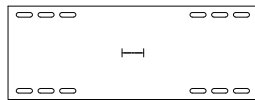
Necesitará



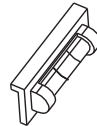
B1 (4)



Montaje en pared



Plantilla de la placa de pared



Nivel de burbuja magnético extraíble



Detector de vigas de borde a borde



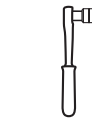
Taladro



Broca de taladro para madera de 3/16 pulg.



B3 (4)



Llave de tubo



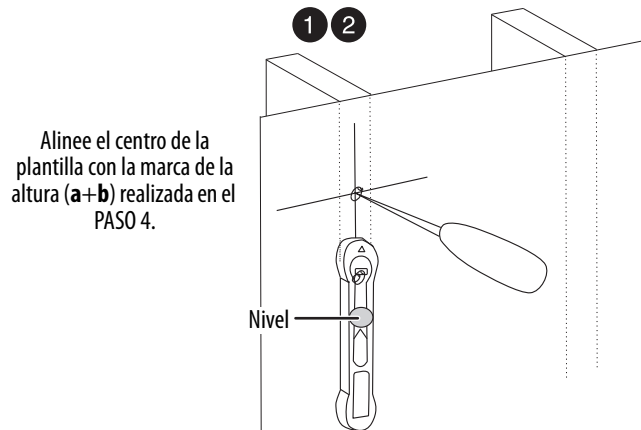
Cinta adhesiva

Nota: Cualquier panel de yeso que cubra la pared no debe exceder 5/8 pulg. (16 mm).

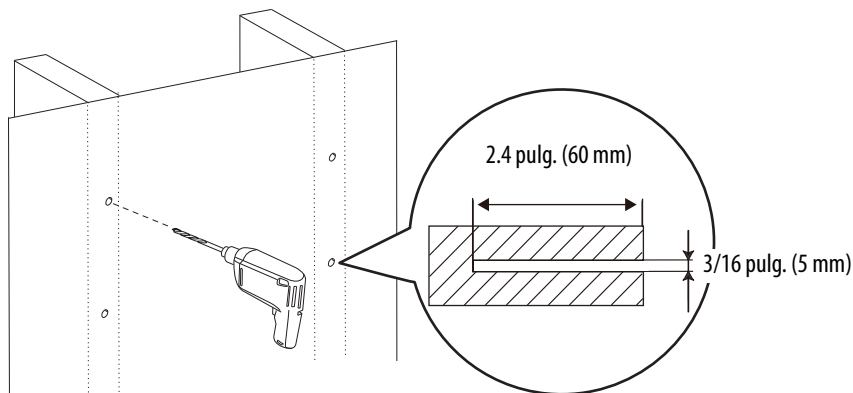
- 1 Localice la viga. Verifique el centro de la viga con un detector de vigas de borde a borde.
- 2 Alinee el centro de la plantilla de la placa para pared a la altura (a + b) que determinó en el paso anterior y asegúrese de que esté a nivel, después péguela con cinta adhesiva a la pared.

* Tamaño mínimo de la viga de madera: estándar 2 x 4 pulg. (51 x 102 mm) nominal de 1 1/2 x 3 1/2 pulg. (38 x 89 mm).

* El espacio mínimo horizontal entre los sujetadores no puede ser menor de 16 pulg. (406 mm)

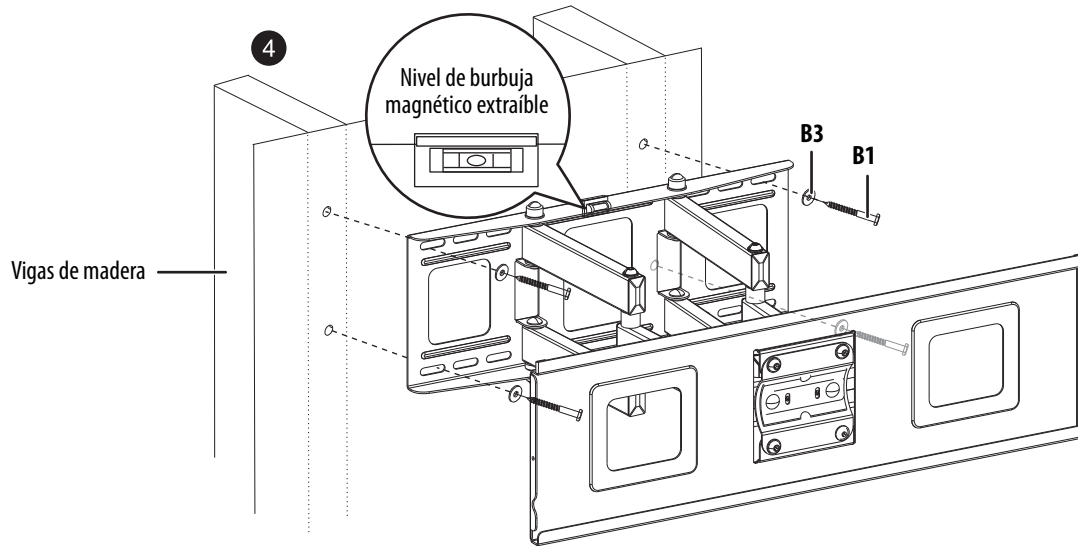


- 3 Taladre cuatro agujeros guía a través de la plantilla a una profundidad de 2.4 pulg. (60 mm) usando una broca de taladro de 3/16 pulg. (5 mm) de diámetro, luego retire la plantilla.



- 4 Alinee la placa de pared en el soporte de pared con los agujeros piloto, inserte los pernos de retraso (**B1**) a través de las arandelas de los pernos de retraso (**B3**), y luego a través de los agujeros de la placa de pared. Asegúrese de que la placa de pared esté nivelada. Apriete los pernos de retraso con una llave de tubo hasta que se encuentren firmemente contra la placa de pared.

ADVERTENCIA: NO apriete excesivamente los pernos de retraso (**B1**).



PASO 5 - Opción 2: Instalación en una pared de concreto sólido o de bloques de concreto

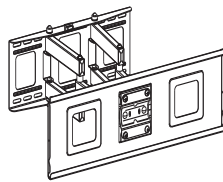
Necesitará



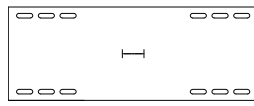
B1 (4)



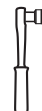
B2 (4)



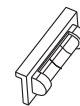
Montaje en pared



Plantilla de la placa de pared



Llave de tubo



Nivel de burbuja magnético extraíble



Taladro



Broca de taladro para concreto de 3/8 pulg.



B3 (4)



Martillo



Detector de vigas de borde a borde



Cinta adhesiva

ADVERTENCIA: Para evitar daños materiales o lesiones a personas, nunca taladre en la argamasa entre los bloques. Monte la placa de pared directamente sobre la superficie de concreto.

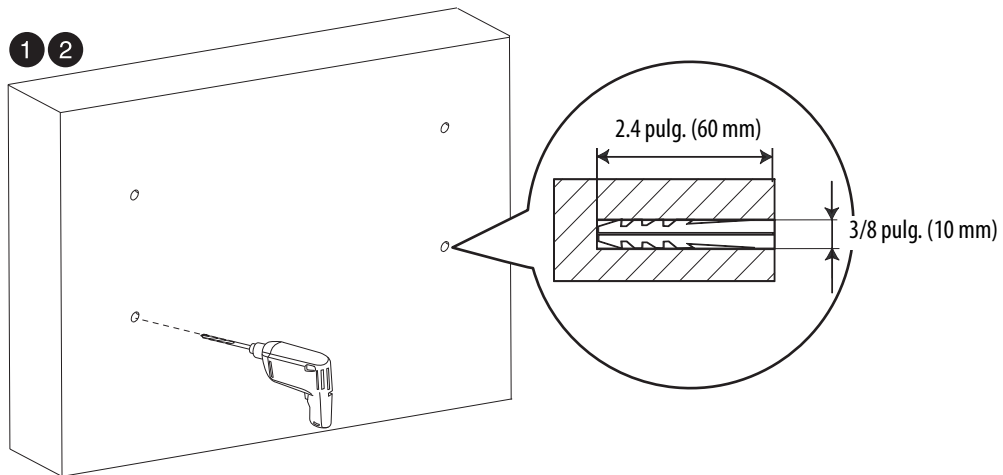
- 1 Alinee el centro de la plantilla de la placa para pared a la altura (**a + b**) que determinó en el paso anterior y asegúrese de que esté a nivel, después péguela con cinta adhesiva a la pared.
- 2 Taladre los agujeros guía a través de la plantilla a una profundidad de 2.4 pulg. (60 mm) usando una broca de taladro para concreto de 3/8 pulg. (10 mm) de diámetro, luego retire la plantilla.

* Grosor mínimo del concreto sólido: 8 pulg. (203 mm)

* Tamaño mínimo del bloque de concreto: 8 x 8 x 16 pulg. (203 x 203 x 406 mm)

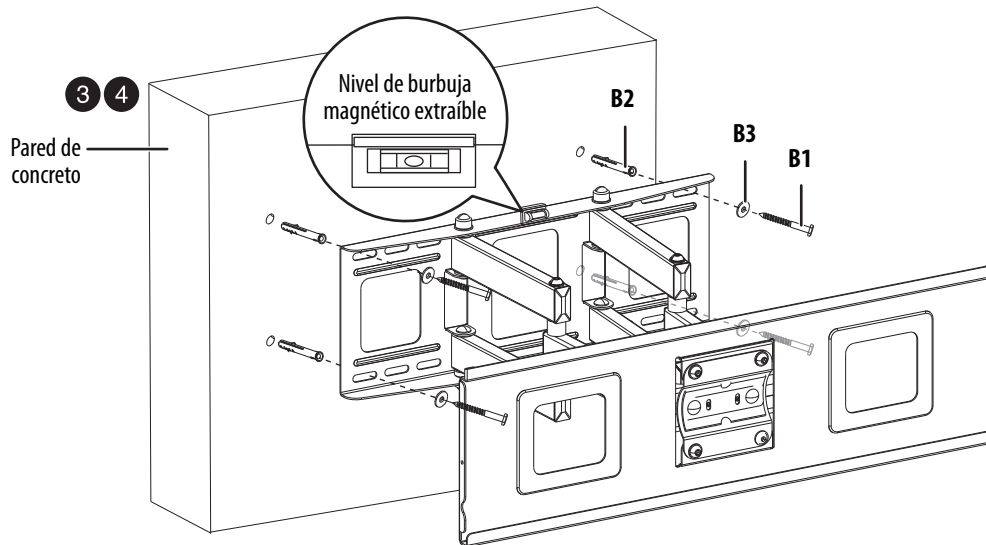
* El espacio mínimo horizontal entre los sujetadores no puede ser menor de 16 pulg. (406 mm).

Alinee el centro de la plantilla con la marca de la altura (**a+b**) realizada en el PASO 4.



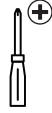
- 3 Inserte los anclajes de pared para concreto (**B2**) en los agujeros guías y con un martillo asegúrese de que los anclajes estén al ras de la superficie.
- 4 Alinee la placa de pared del soporte de pared con los anclajes, inserte los pernos de retraso (**B1**) a través de las arandelas de los pernos de retraso (**B3**), y luego a través de los agujeros de la placa de pared. Asegúrese de que la placa de pared esté nivelada. Apriete los pernos de retraso con una llave de tubo hasta que se encuentren firmemente contra la placa de pared.

ADVERTENCIA: NO apriete excesivamente los pernos de retraso (**B1**).



PASO 6 - Fije el televisor a la placa para pared

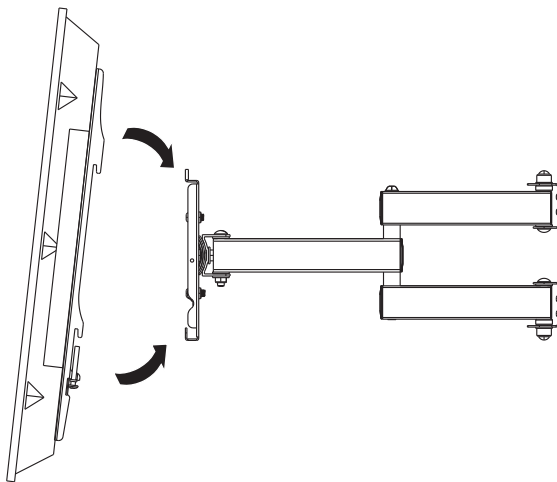
Necesitará



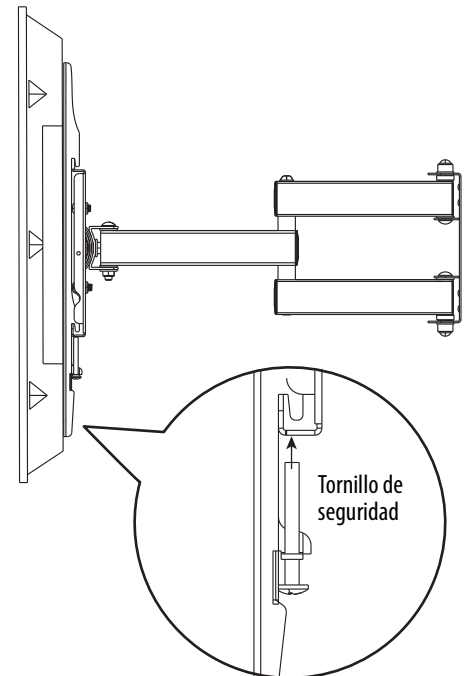
Destornillador Phillips

- 1 Manteniendo su televisor con la parte superior de la pantalla inclinada hacia la pared, deslice los bordes superiores derecho e izquierdo de los soportes para televisor sobre las muescas del borde superior de la placa para pared de su televisor.
- 2 Empuje la parte inferior de su televisor hacia la pared hasta que los pernos de seguridad encajen en su sitio, y luego apriete los pernos con un destornillador Phillips.

ADVERTENCIA: No suelte su televisor hasta que los soportes sean seguramente bloqueados en la parte posterior de la placa para pared.



¡PESADO!
Necesitará ayuda
con este paso.



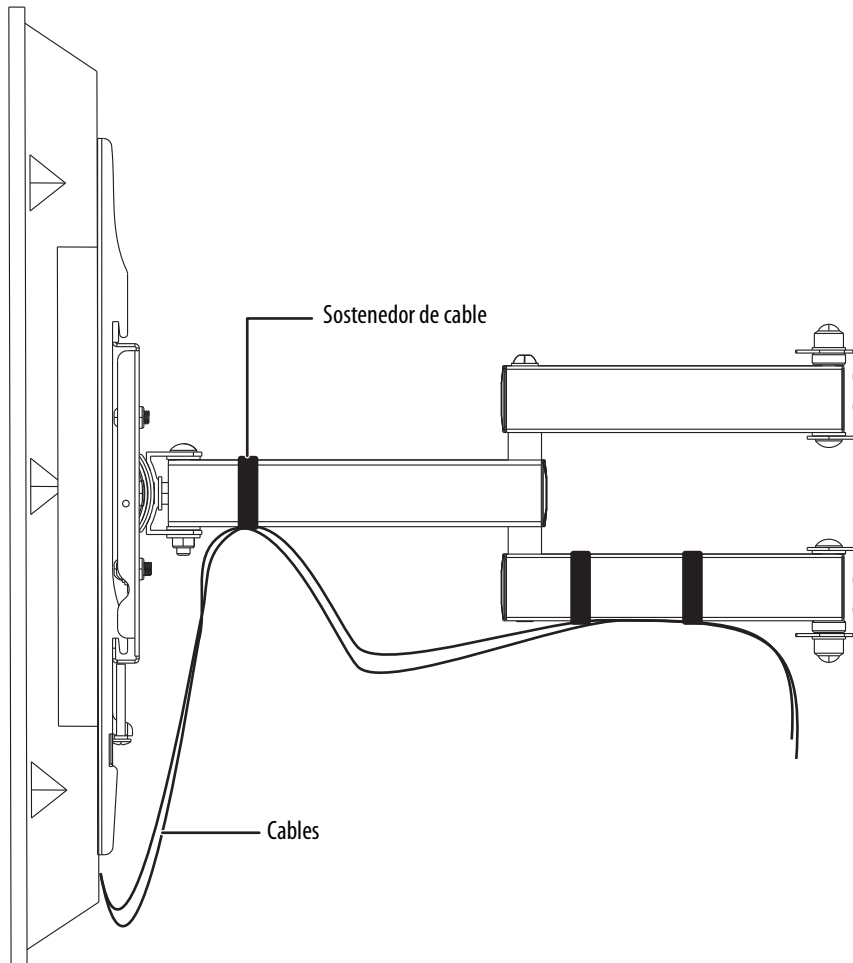
PASO 7 - Organización de los cables

Necesitará



Sujetador de cable (3)

- Enhebre los cables de los dispositivos conectados a lo largo del brazo de montaje y encaje los soportes de los cables para mantenerlos en su sitio.

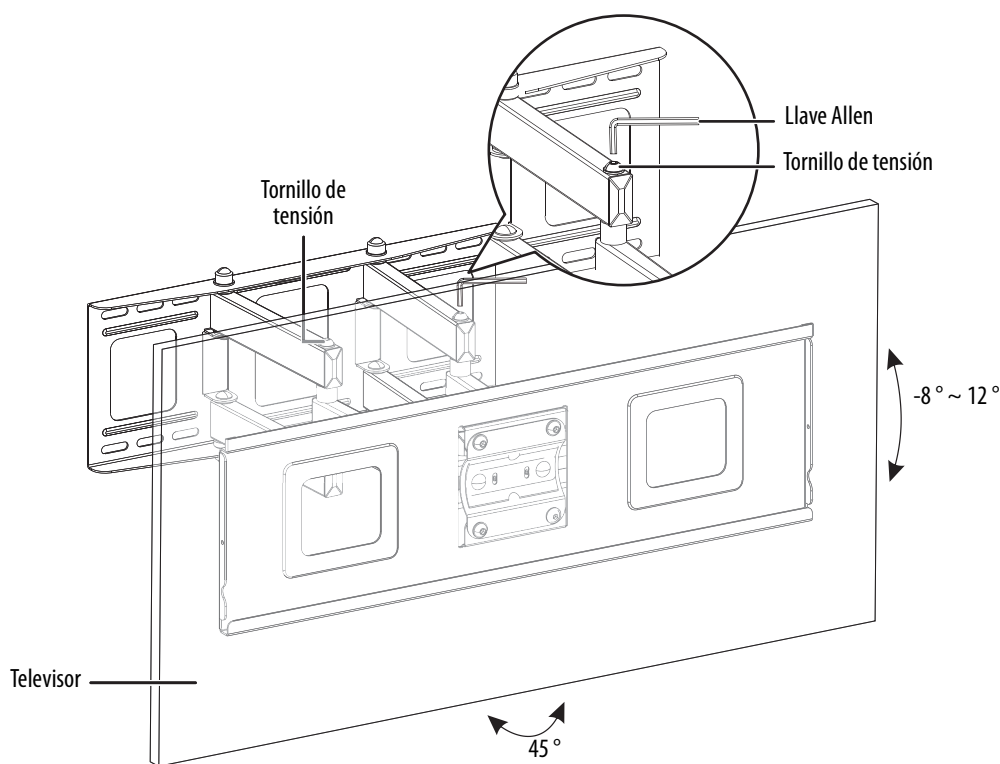


PASO 8 - Ajuste el brazo de montaje y los ángulos de inclinación

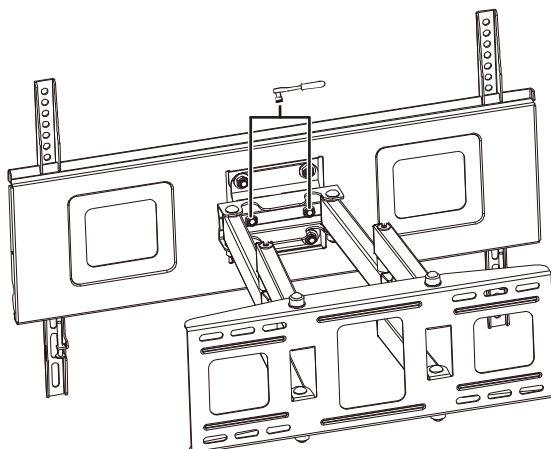
Necesitará



- 1 Para ajustar la tensión del brazo (para que el brazo sea más fácil o más difícil de mover), afloje o apriete los tornillos de tensión con la llave Allen.
- 2 Para girar su televisor a la izquierda o a la derecha, sujete los lados de su televisor y empuje un lado mientras tira del otro.
- 3 Para inclinar su televisor hacia arriba o hacia abajo, sujete la parte superior e inferior de su televisor e inclínelo hacia adelante o hacia atrás.



- 4 Si la pantalla del televisor se hunde, apriete los dos tornillos (mostrados abajo) de la placa del televisor con una llave de tubo hasta que queden ajustados.



GARANTÍA LIMITADA DE UN AÑO

Descripción:

El distribuidor* de los productos de la marca Best Buy Essentials le garantiza a usted, el comprador original de este producto nuevo de la marca Best Buy Essentials ("Producto"), que éste se encontrará libre de defectos de material o de mano de obra en su fabricación original por un periodo de un (1) año a partir de la fecha de compra del Producto ("Período de Garantía").

Para que esta garantía se aplique, su Producto tiene que haberse comprado en los Estados Unidos o en Canadá con un detallista de la marca Best Buy o en línea en los sitios www.bestbuy.com o www.bestbuy.ca y empaquetado con esta declaración de garantía.

¿Cuánto dura la garantía?

El Período de garantía dura por 1 año (365 días) a partir de la fecha en que compró el Producto. La fecha de compra se encuentra impresa en el recibo que recibió con el Producto.

¿Qué es lo que cubre esta garantía?

Durante el período de garantía, si un centro de reparación autorizado de Best Buy Essentials o el personal de la tienda determinan que el material o la mano de obra originales del producto son defectuosos, Best Buy Essentials (cómo su opción exclusiva): (1) reparará el Producto con repuestos nuevos o reconstruidos; o (2) reemplazará el Producto sin costo alguno por un producto nuevo o reconstruido con características similares. Los Productos y repuestos reemplazados bajo esta garantía se volverán propiedad de Best Buy Essentials y no se le regresarán a usted. Si se requiere la reparación de Productos o partes después de que se vence el Período de Garantía, usted deberá pagar todos los costos de mano de obra y de repuestos. Esta garantía estará vigente tanto como usted sea el dueño de su producto Best Buy Essentials durante el período de garantía. La cobertura de la garantía se anula si usted vende o transfiere el Producto.

¿Cómo se obtiene el servicio de garantía?

Si se compró el Producto en una tienda de Best Buy, o en un sitio Web de Best Buy (www.bestbuy.com o www.bestbuy.ca), lleve su recibo original y el Producto a cualquier tienda de Best Buy. Asegúrese de volver a colocar el Producto en su empaque original o en un empaque que provea la misma protección que el original.

Para obtener servicio de garantía, llame al 1-866-597-8427 en los Estados Unidos y Canadá. Los agentes de soporte técnico diagnosticarán y corregirán el problema por teléfono.

¿Dónde es válida la garantía?

Esta garantía sólo es válida en los Estados Unidos y Canadá en las tiendas de Best Buy o en sus sitios web para el comprador original del producto en el país donde se realizó la compra.

¿Qué es lo que no cubre la garantía?

Esta garantía no cubre:

- Capacitación o instrucción del cliente
- Instalación
- Ajustes de configuración
- Daños cosméticos
- Daños debidos al clima, relámpagos, causas de fuerza mayor, tales como sobretensiones
- Danos accidentales
- Uso inapropiado
- Abuso
- Negligencia
- Uso o propósito comercial, incluyendo pero no limitado al uso en centros comerciales o lugares comunes de un condominio de varios pisos o un edificio de departamentos, o cualquier uso en un lugar que no sea una casa privada.
- Modificación de alguna parte del Producto, incluyendo la antena
- Un panel de pantalla dañado por la persistencia de imágenes estáticas (sin movimiento), mostradas por períodos de tiempo extendido (efecto "burn-in").
- Daño debido al uso o mantenimiento inapropiado
- Conexión a una fuente de voltaje o de alimentación incorrecta
- Intento de reparación por cualquier persona que no sea autorizada por BEST BUY ESSENTIALS para reparar el Producto
- Productos vendidos "tal cual" (en el estado en que se encuentran) o "con todas sus fallas"
- Consumibles, incluyendo pero no limitado a pilas (tipo AA, AAA, C etc.)
- Productos en los cuales el número de serie asignado en la fábrica ha sido alterado o removido
- Pérdida o robo de este producto o cualquier parte de sus componentes
- Las pantallas con hasta tres (3) píxeles defectuosos (puntos oscuros o incorrectamente iluminados) agrupados en una superficie más pequeña que la décima parte (1/10) del tamaño de la pantalla ni hasta cinco (5) píxeles defectuosos en toda la superficie de la pantalla. (Las pantallas basadas en píxeles pueden contener un número limitado de píxeles que pueden no funcionar normalmente).
- Los defectos o daños causados como resultado de cualquier contacto, sin limitarse a líquidos, geles o pastas.

EL REEMPLAZO O LA REPARACIÓN ESTIPULADOS BAJO ESTA GARANTÍA SON SU RECURSO EXCLUSIVO POR CUALQUIER VIOLACIÓN DE LA GARANTÍA. BEST BUY ESSENTIALS NO SERÁ RESPONSABLE POR DAÑOS INCIDENTALES O CONSECUENTES DEBIDO AL INCUMPLIMIENTO DE CUALQUIER GARANTÍA EXPRESA O IMPLÍCITA RELACIONADA CON ESTE PRODUCTO, INCLUYENDO PERO SIN LIMITARSE A ELLO, LA PÉRDIDA DE DATOS, LA IMPOSIBILIDAD DE USO DE SU PRODUCTO, LA PÉRDIDA DE NEGOCIOS O DE GANANCIAS. BEST BUY ESSENTIALS PRODUCTS NO HACE NINGUNA OTRA GARANTÍA EXPRESA E IMPLÍCITA RELACIONADA A ESTE PRODUCTO, INCLUYENDO PERO SIN LIMITARSE A, CUALQUIER GARANTÍA IMPLÍCITA Y CONDICIONES DE COMERCIALIZACIÓN Y IDONEIDAD PARA UN USO PARTICULAR, ESTÁN LIMITADAS EN DURACIÓN AL PERÍODO DE GARANTÍA DECLARADO ANTERIORMENTE Y NINGUNA GARANTÍA YA SEA EXPRESA O IMPLÍCITA SE APLICARÁ DESPUÉS DEL PERÍODO DE GARANTÍA. ALGUNOS ESTADOS, PROVINCIAS Y JURISDICIONES NO PERMITEN RESTRICCIONES EN CUANTO A LA DURACIÓN DE UNA GARANTÍA IMPLÍCITA, ASÍ QUE LA RESTRICCIÓN ANTERIOR PUEDE NO APLICARSE EN SU CASO. ESTA GARANTÍA LE DA DERECHOS LEGALES ESPECÍFICOS, Y USTED PUEDE POSEER OTROS DERECHOS QUE VARIAN DE ESTADO A ESTADO, O DE PROVINCIA A PROVINCIA.

Póngase en contacto con Best Buy Essentials:

1-866-597-8427

www.bestbuy.com/bestbuyessentials

BEST BUY ESSENTIALS es una marca comercial de Best Buy y sus compañías asociadas.

* Distribuido por Best Buy Purchasing, LLC

7601 Penn Av. South, Richfield, MN 55423 E.U.A.

© 2021 Best Buy. Todos los derechos reservados.

BEST BUY essentials™

For product inquiries, please contact us with the information below:

1-866-597-8427

www.bestbuy.com/bestbuyessentials

BEST BUY ESSENTIALS is a trademark of Best Buy and its affiliated companies.

Distributed by Best Buy Purchasing, LLC

7601 Penn Ave South, Richfield, MN 55423 U.S.A.

©2021 Best Buy. All rights reserved.

V2 ENGLISH/ESPAÑOL
21-0508