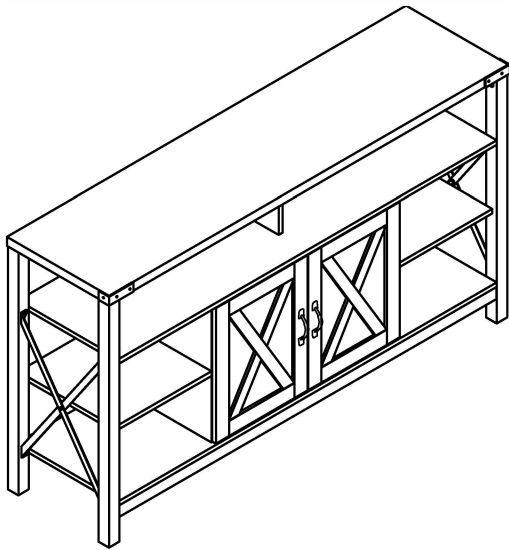


Thank you for your purchase!



TV-Stand with Storage



ASSEMBLY INSTRUCTIONS

Before You Begin:

Please identify all component parts and hardware pieces required before you begin. Carefully remove all of the components from the packaging and set aside for assembly. Assemble on a soft surface to prevent scratching during assembly.

Caution:

Tighten all components securely before use. Failure to do so may result in personal injury. DO NOT use any sharp objects to open plastic wrapped components as damage to product or components may result.

Warning:

CHOKING HAZARD - Small Parts. Adult Assembly Required.

DO NOT ALLOW CHILDREN TO CLIMB ON FURNITURE

Serious or fatal injuries can occur from furniture tipping over. You must install Tipping Restraint Hardware (where included) to help prevent the unit from tipping and causing accidental injury, instability, death or damage. The tipping restraint is intended only as a safety measure, it is not a substitute for proper adult supervision.

To help prevent furniture from tipping over it must be permanently attached to the wall. Anti-Tip Safety Wall Straps suitable for the unit weight and wall materials (if not included) should be purchased and installed.

Have a Question/Concern?

Quality products and first-class customer service are the cornerstone of long-lasting consumer relationships. We strive toward excellence in all we do and want you to be completely satisfied with your purchase.

Please contact our exceptional Customer Experience Agents at the email address or phone number shown below to assist you with any product questions or issues before requesting a return.

We look forward to serving you in a friendly, efficient manner to resolve any issues you may have.

Customer Service Email: CustomerExperience@belnick.com

Customer Service Phone: 866-552-2810

Our Warranty Statement

This warranty covers manufacturing defects associated with your new product. The product is warranted from the original purchase date and to the original purchaser for normal usage, according to the below-referenced specifications and limitations.

- Non-moving metal parts are warranted for 5 years.
- Component parts including pneumatic cylinder, control mechanism, base and casters are warranted for 2 years.
- All other items are warranted for 1 year.

Normal usage means use in compliance with the restrictions and weight limits specified for the product. In the absence of product-specific restrictions and weight limits, normal usage means use for no more than forty hours per week by persons weighing 250 lbs. or less. Coverage terminates if the product is sold or otherwise transferred. Repairs made by parties other than Belnick also void this warranty.

This warranty will not cover: (1) labor, freight, or damage from misuse, abuse, negligence, alteration, assembly, installation, attachments, accident, vandalism, acts of nature or any other event beyond the control of Belnick; (2) tearing, scratching, scuffing, or blemishing of leather or fabric; (3) cosmetic damage that may result from normal usage; (4) damage attributable to use by persons exceeding specified weight limits or commercial use exceeding forty hours per week; or (5) rust or other damage caused by exposure to moisture. The user assumes all risk of injury resulting from use of this product. Liability for incidental or consequential damage is excluded. Some states do not allow the exclusion or limitation of incidental or consequential damages, so the above limitation or exclusion may not apply to you.



Safety and Care Advice

Important – Please read these instructions fully before starting assembly

- Check you have all the components and tools listed on the following pages.
- Remove all fittings from the plastic bags and separate them into their groups.
- Keep children and animals away from the work area, small parts could choke if swallowed.
- Make sure you have enough space to layout the parts before starting.

- During assembly do not stand or put weight on the product, this could cause damage.
- Assemble the item as close to its final position (in the same room) as possible.
- Assemble on a soft level surface to avoid damaging the unit or your floor.
- Parts of the assembly will be easier with 2 people.



power drill is set on a low torque setting.

- To reduce the likelihood of damaging your product please ensure that your

Care and maintenance

- Only clean using a damp cloth and mild detergent, do not use bleach or abrasive cleaners.
- From time to time check that there are no loose screws on this unit.
- This product should not be discarded with household waste. Take to your local authority waste disposal centre.

Handy Hints

- Assemble all parts and bolts loosely during assembly, only once the product is complete should you fully tighten the bolts
- Regularly check and ensure That all bolts and fittings are tightend properly.

WARNING In order to help prevent overturning – please follow these instructions

To help prevent product toppling over please follow the below steps:-

Use the anti tip stap or wall fixing method provided (if applicable)
Do not allow children to climb or hang on the furniture
Do not open more than one drawer at a time
Do not place heavy items in the top drawers
Do not place heavy items on top of the furniture, unless the furniture has been designed for this purpose

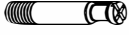


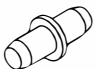

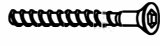


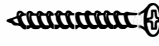



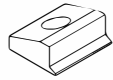




please note that only the anti tip strap is provided.

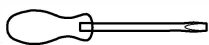
You will need to provide wall plugs and screws applicable for your wall type

Components - Fittings

Please check you have all the panels listed below

Note: The quantities below are the correct amount to complete the assembly. In some cases more fittings may be supplied than are required.

A  Male Camlock x 28	B  Female Camlock x 28	C  Wood Dowel x 20
D  Shelf Support Pin x 4	E  3.5*14mm Screw x 32	F  6*50mm Screw x 8
G  Handle & Fixings x 2	H  H bar x 1	I  4*45mm Screw x 4
J  Bolt 6*10 X 2	K  Bolt 10*12 X 2	L  Wrench x 1
M  Plastic Wedge x 6	N  3*16mm Screw x 6	O  Hinge x 4
P  Anti-Tip Hardware Pack x 2	R  Allen Wrench x 1	



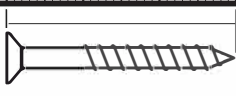
Tools required



Phillips screwdriver
(medium & large)

Ruler - Use this ruler to help correctly identify the screws

0 5 10 15 20 25 30 35 40 45 50 55 60 65 70 75 80 85 90 95 100 105 110 115 120 125 130 135 140 145 150 155 160 165 170



The screws length is measured from the head to the point (50mm screw shown).

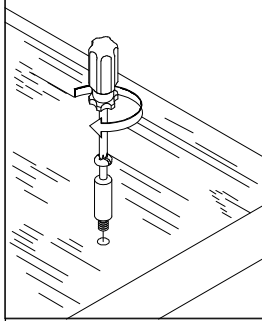
Using Camlocks

Step 1

Connect the male camlock as directed in the assembly instructions using a screwdriver.

1

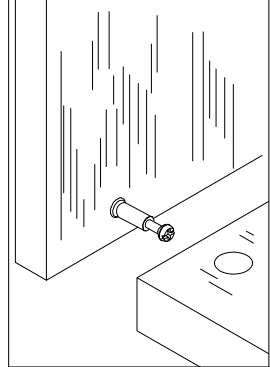
DO NOT OVER TIGHTEN.
NE PAS SERRER EXCESSIVEMENT.



Step 2

Push the male camlock into the entry hole.

2

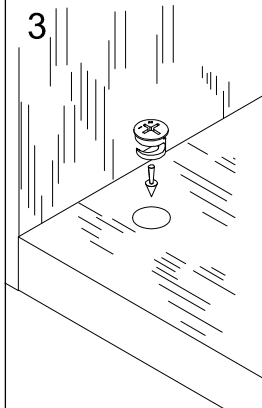


Step 3

Insert the female camlock as shown in the instruction.

Note: ensure that the arrow on the top of the camlock points towards the entry hole for the male camlock.

3



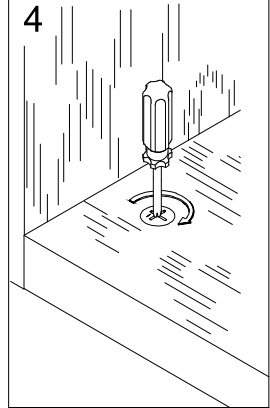
Step 4

Turn the female camlock clockwise with a screwdriver.

You should feel a click when the camlock is locked in place.

The joint is now secure.

4



Adjusting Hinges

Hinge adjustment:

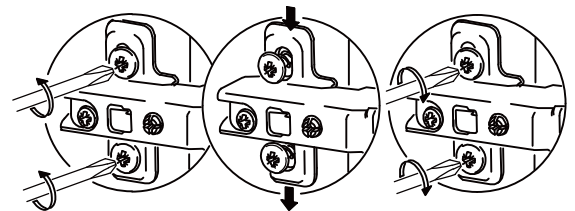
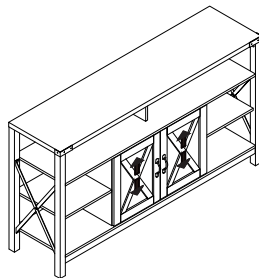
a: To move the top panel up or down, loosen screws shown and move top panel to suit

b. To move the top panel in or out, loosen screws shown and move top panel to suit.

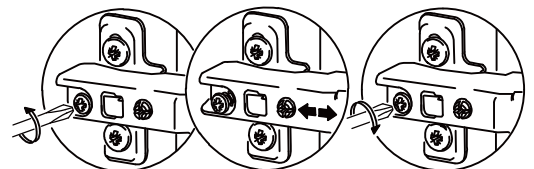
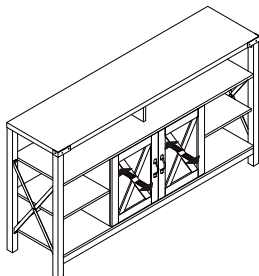
Retighten screws

c: To move the top panel left or right, adjust screws shown.

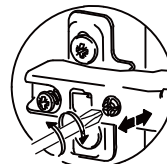
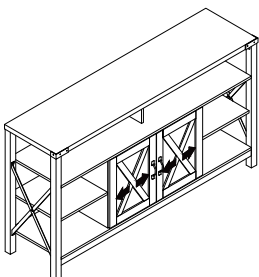
a:



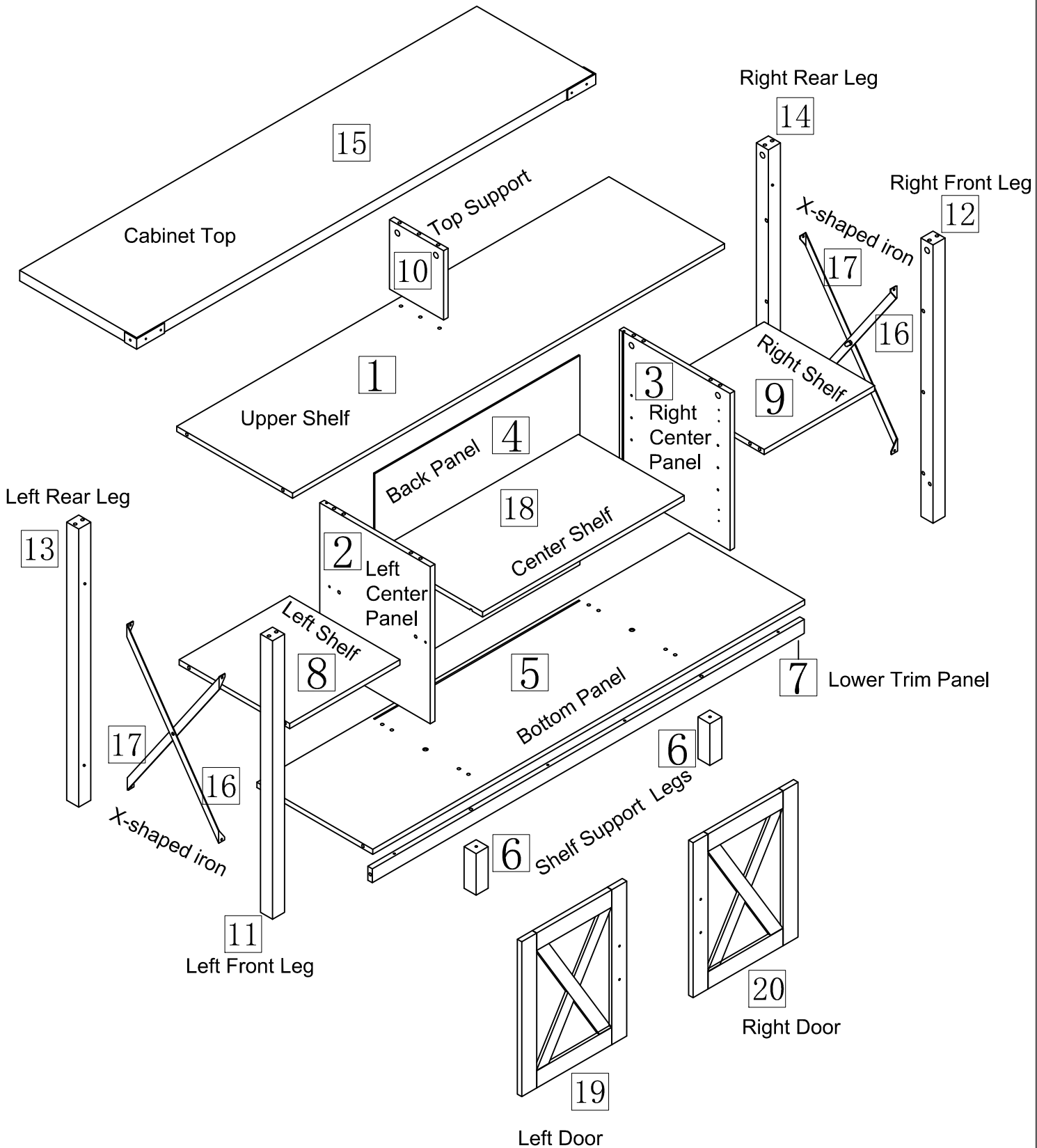
b:



c:



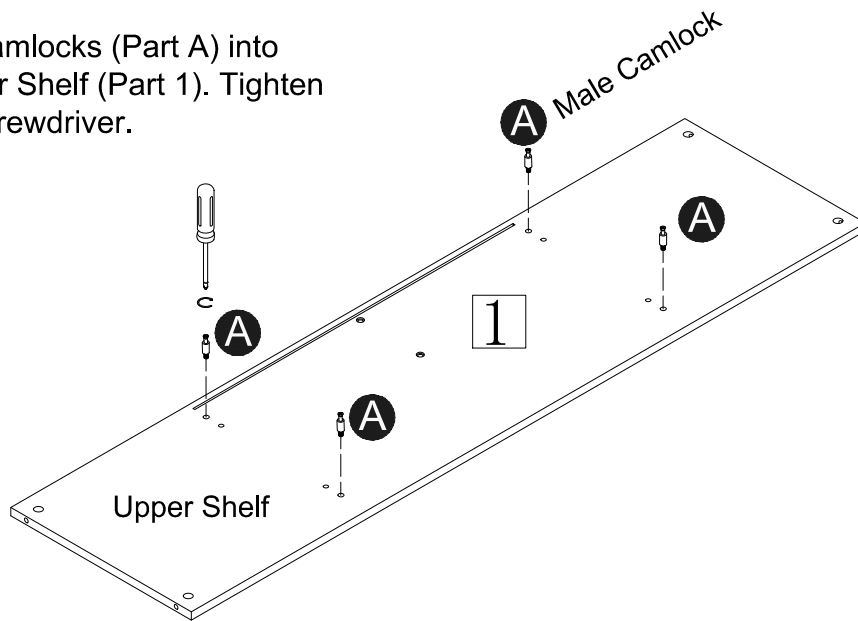
Assembly Instructions



Assembly Instructions

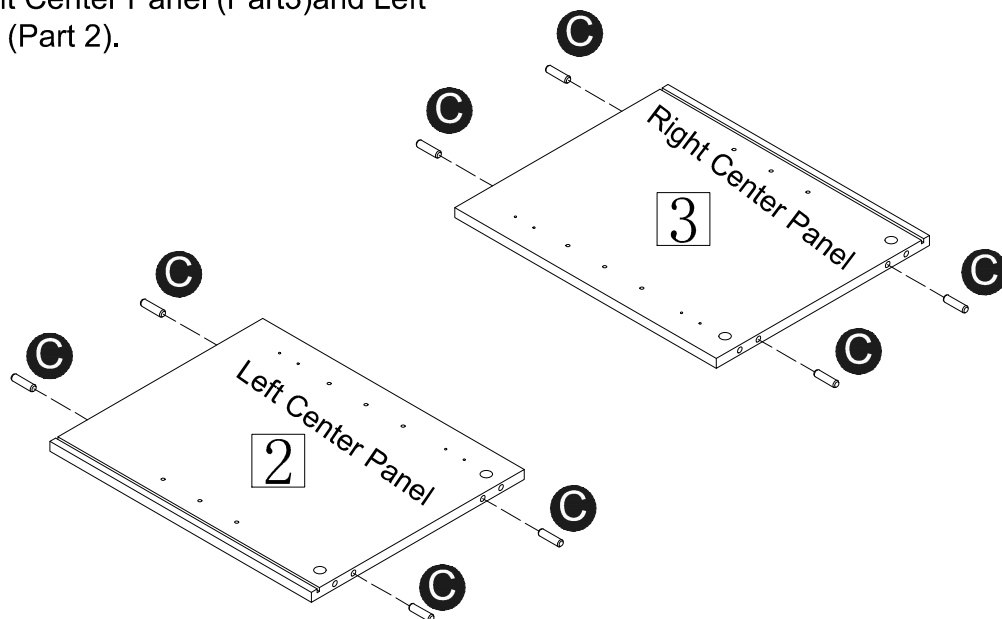
Step 1

Attach (4) Male Camlocks (Part A) into underside of Upper Shelf (Part 1). Tighten using a Phillips Screwdriver.



Step 2

Insert (8) Wood Dowels (Part C) into inner holes on Right Center Panel (Part 3) and Left Center Panel (Part 2).

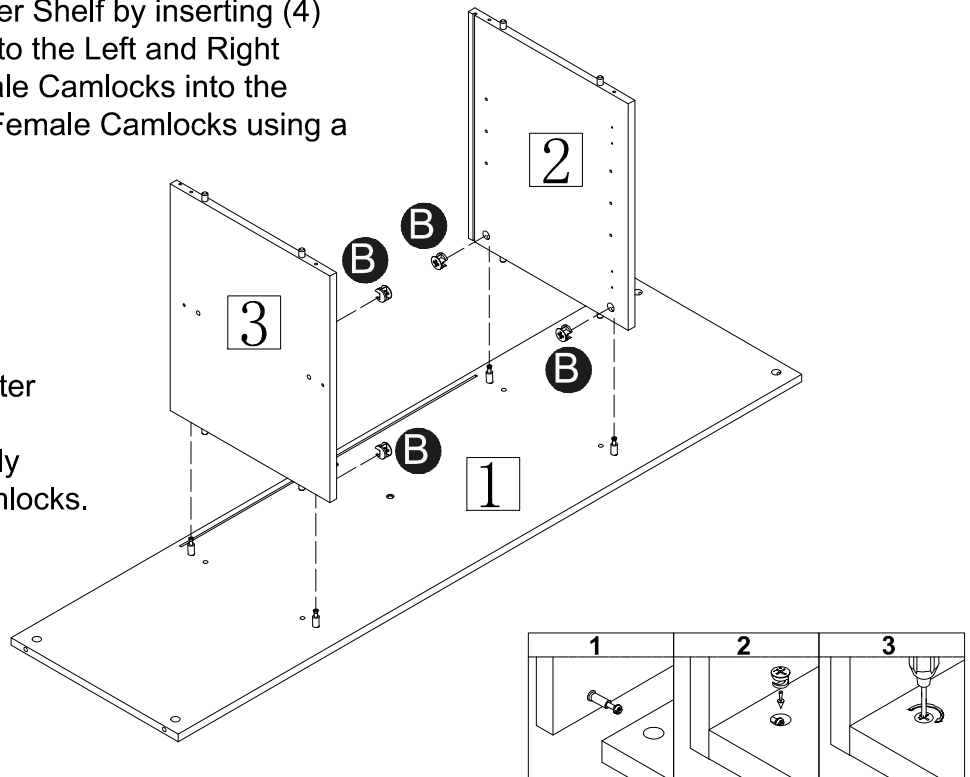


Assembly Instructions

Step 3

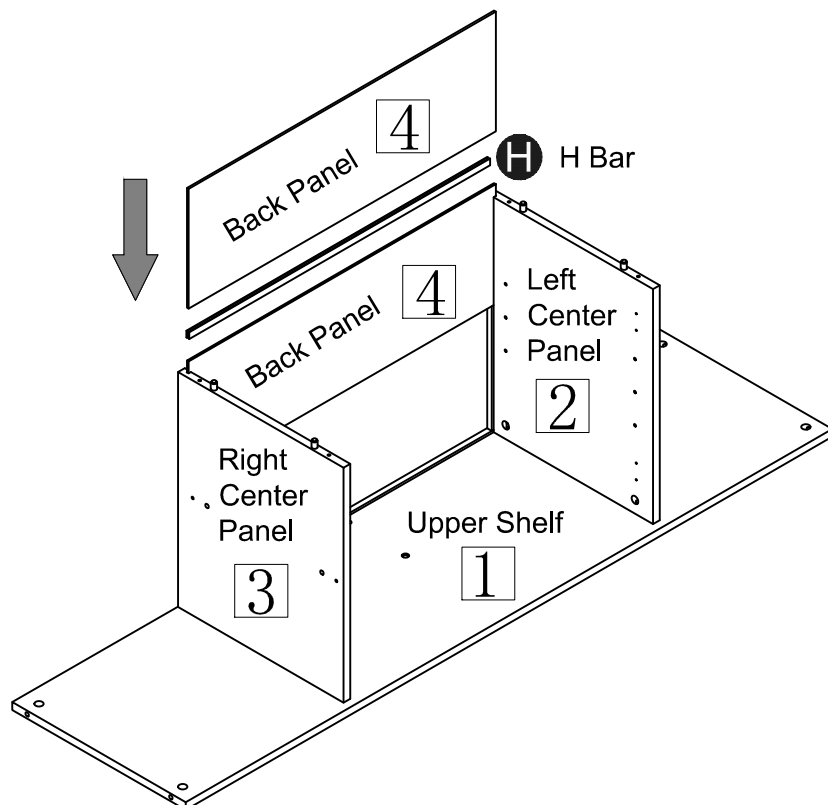
Attach Center Panels to Upper Shelf by inserting (4) Female Camlocks (Part B) into the Left and Right Center Panels. Insert the Male Camlocks into the Female Camlocks. Tighten Female Camlocks using a Phillips Screwdriver.

Note: Ensure grooves in Center Panels are aligned and that the Wood Dowels are properly seated before tightening Camlocks.



Step 4

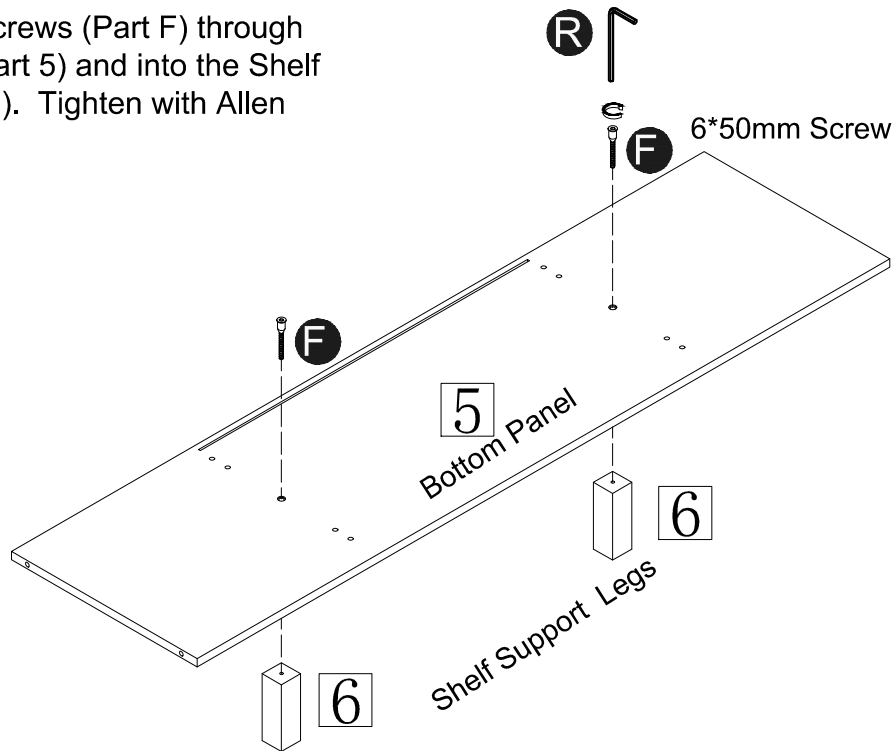
Insert the first Back Panel (Part 4) into the grooves in the Center Panels then insert the H Bar (Part H) then insert the last Back Panel.



Assembly Instructions

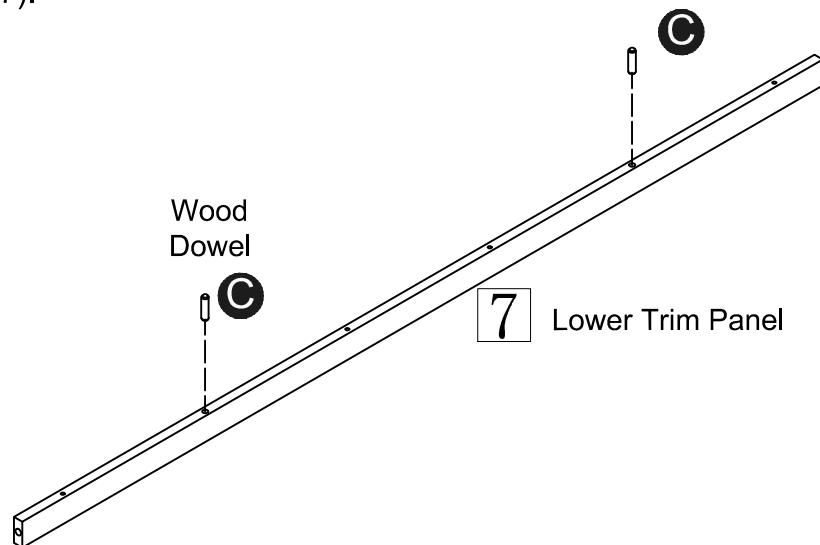
Step 5

Insert (2) 6*50MM Screws (Part F) through the Bottom Panel (Part 5) and into the Shelf Support Legs (Part 6). Tighten with Allen Wrench (Part R).



Step 6

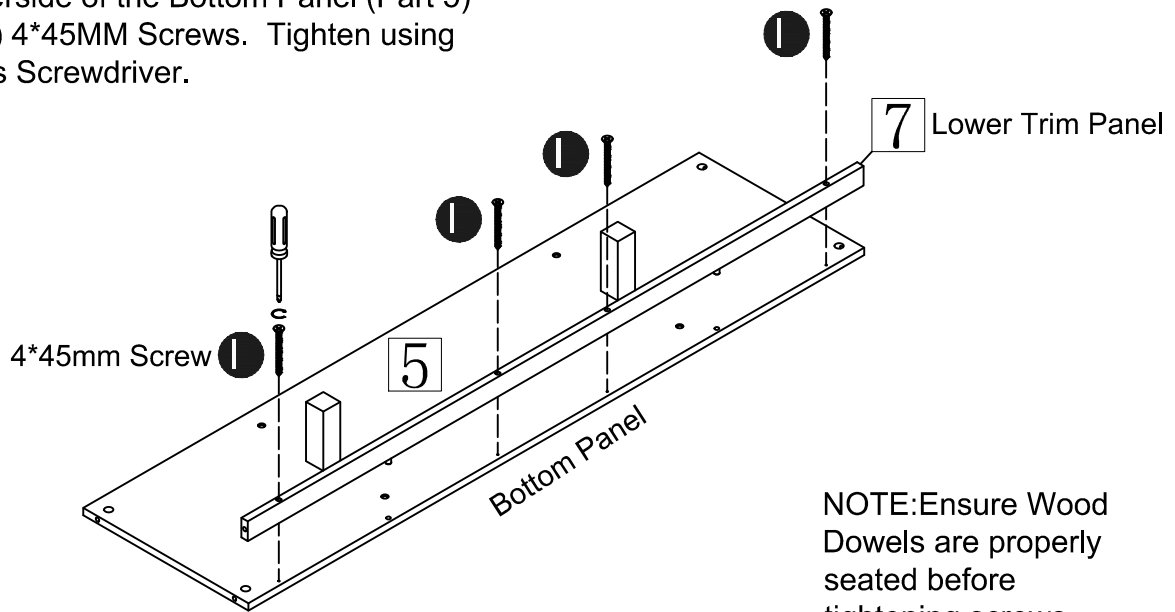
Insert (2) Wood Dowels into the Lower Trim Panel (Part 7).



Assembly Instructions

Step 7

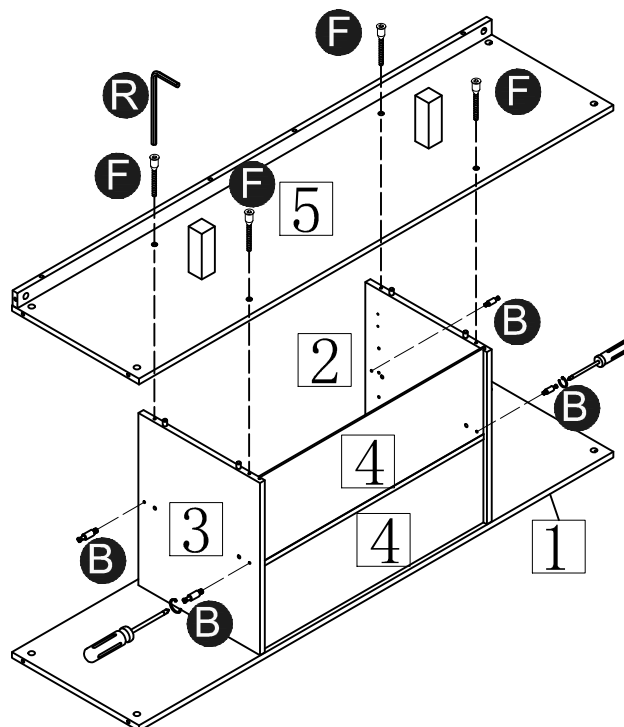
Attach the Lower Trim Panel (Part 7) to the underside of the Bottom Panel (Part 5) using (4) 4*45MM Screws. Tighten using a Phillips Screwdriver.



Step 8

Attach Bottom Panel (Part 5) to Center Panels 2 & 3 using (4) 6*50MM Screws (Part F). Tighten with Allen Wrench (Part R).

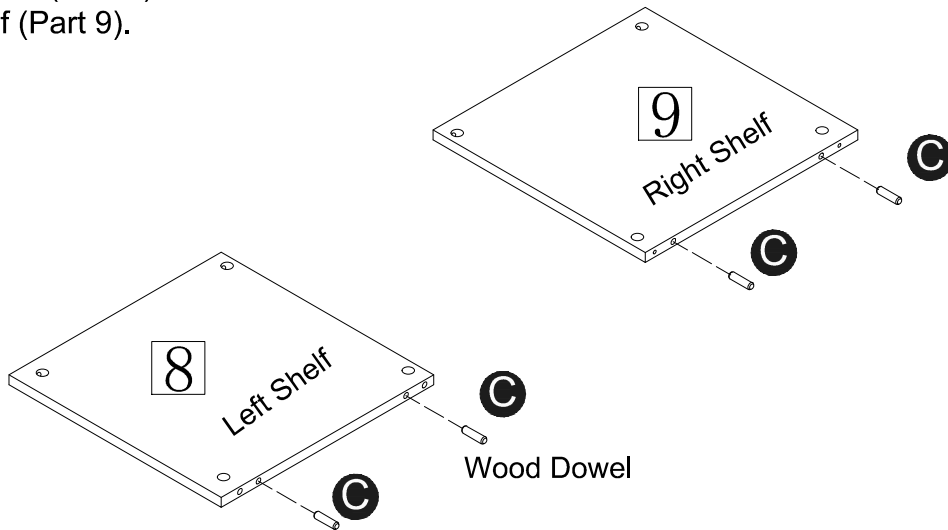
Insert (4) Male Camlocks into the outer holes of the Left and Right Side Panels. Tighten using a Phillips Screwdriver.



Assembly Instructions

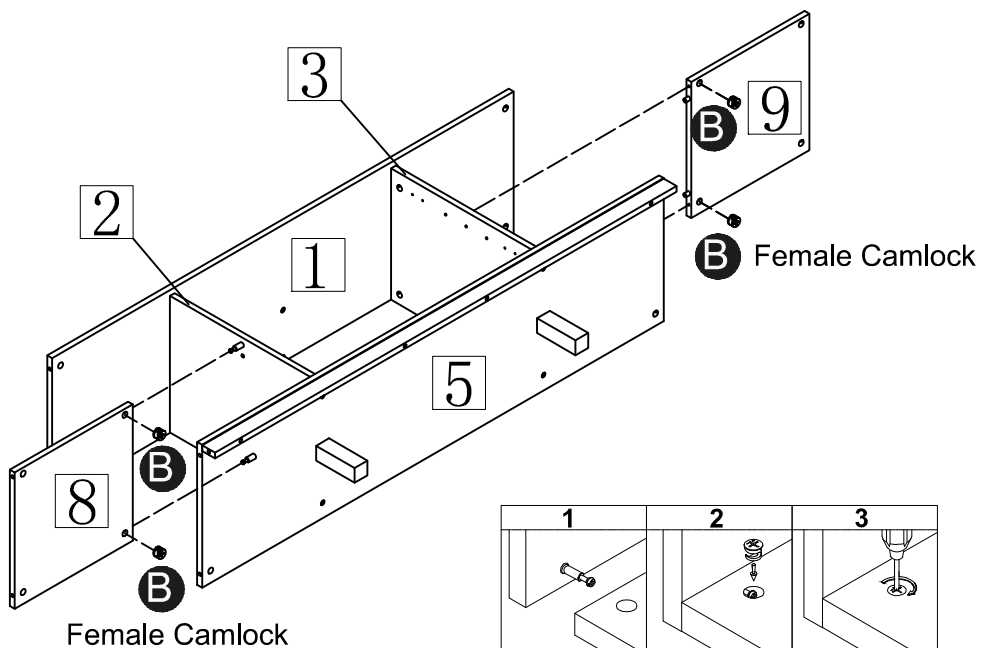
Step 9

Insert (4) Wood Dowels into Inner Holes of Left Shelf (Part 8) and Right Shelf (Part 9).



Step 10

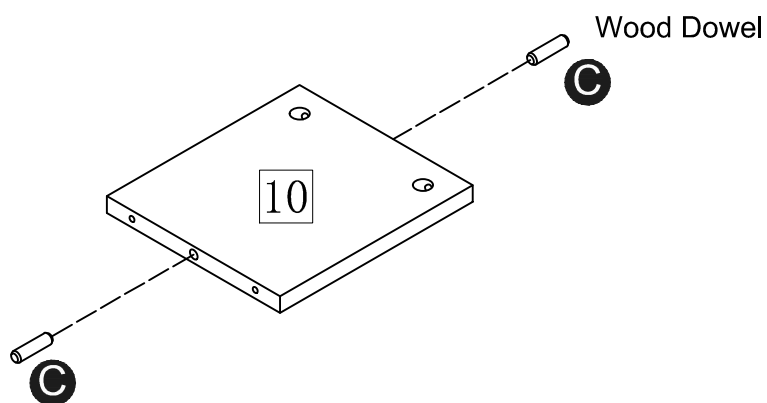
Insert (4) Female Camlocks into Left and Right Shelves. Insert Male Camlocks on Left and Right Center Panels into the Female Camlocks and tighten.



Assembly Instructions

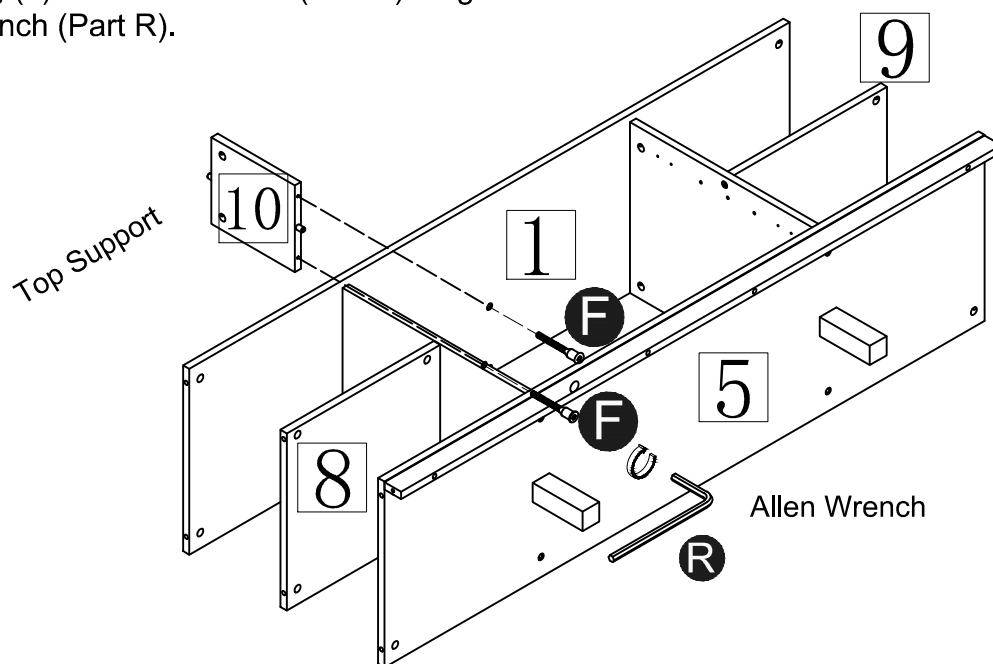
Step 11

Insert (2) Wood Dowels (Part C) into the Top Support (Part 10).



Step 12

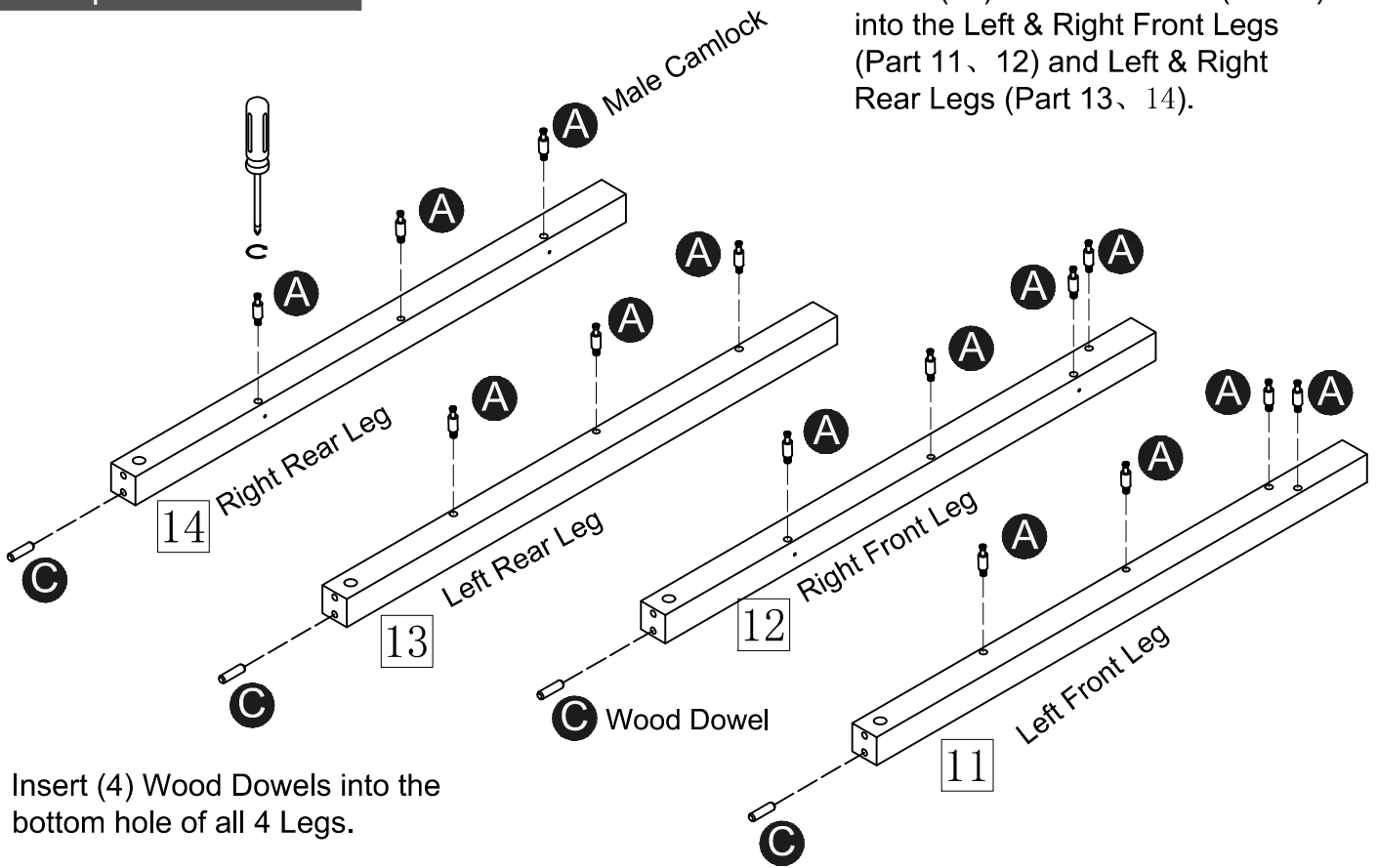
Attach the Top Support (Part 10) to the Upper Shelf (Part 1) using (2) 6*50MM Screws (Part F). Tighten with Allen Wrench (Part R).



NOTE: Ensure Wood Dowels are properly seated before tightening screws.

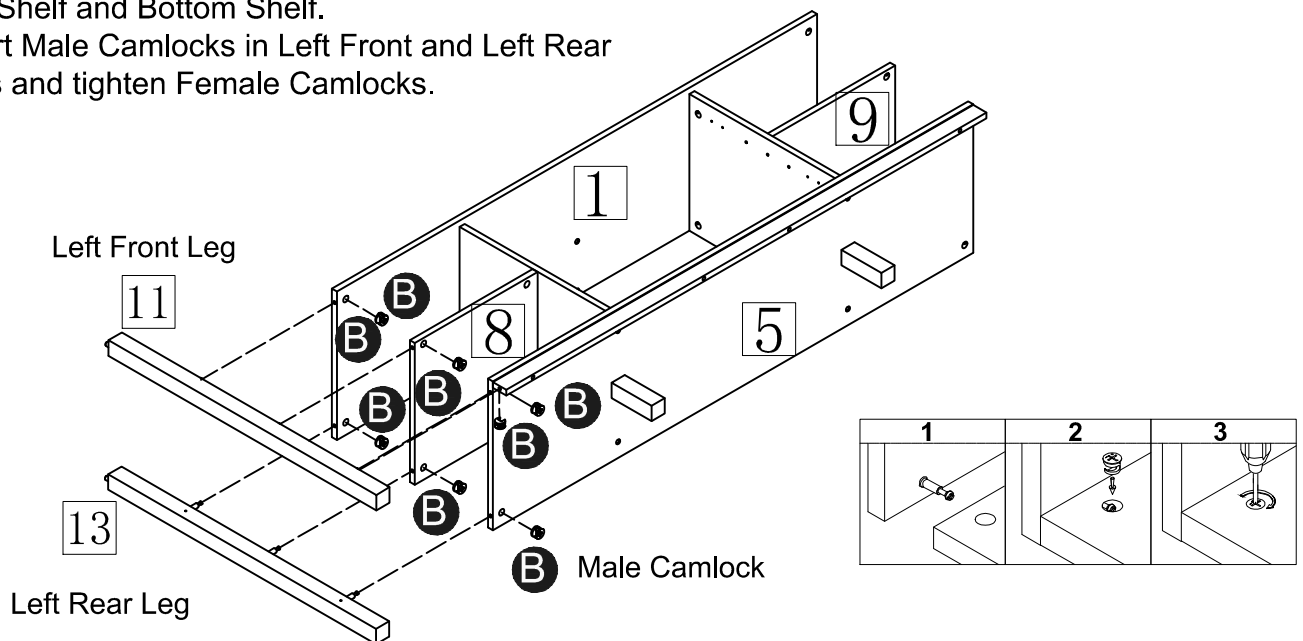
Assembly Instructions

Step 13



Step 14

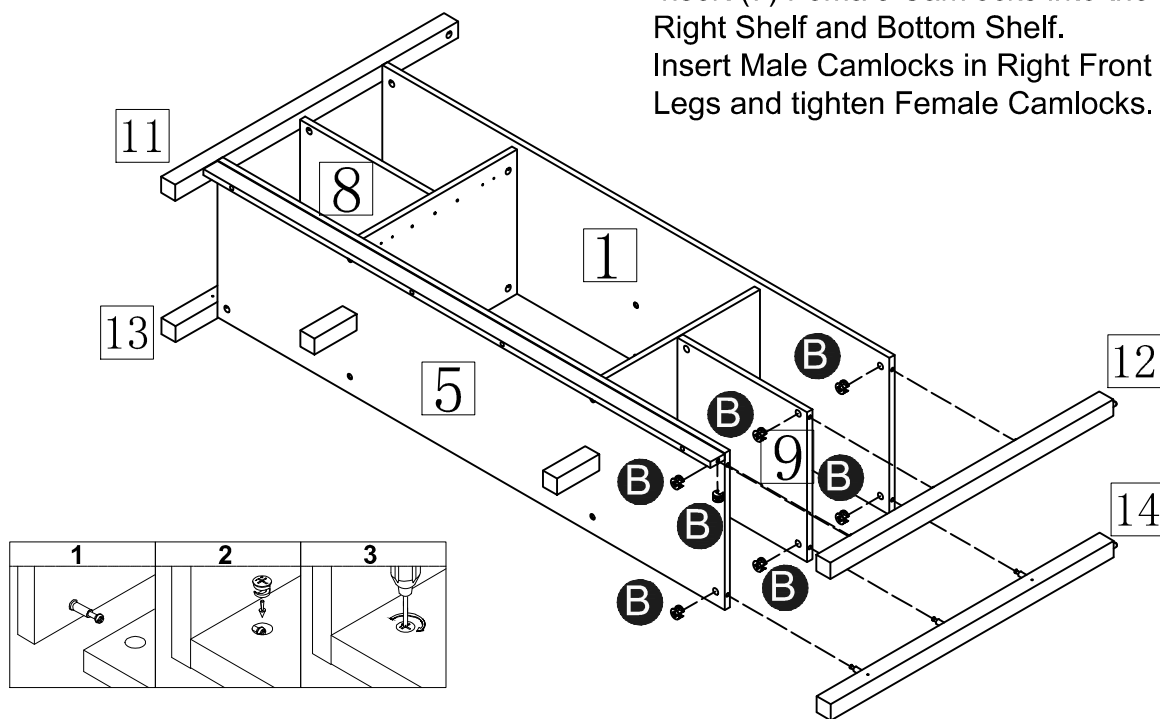
Insert (7) Female Camlocks into the Upper Shelf, Left Shelf and Bottom Shelf.
 Insert Male Camlocks in Left Front and Left Rear Legs and tighten Female Camlocks.



Assembly Instructions

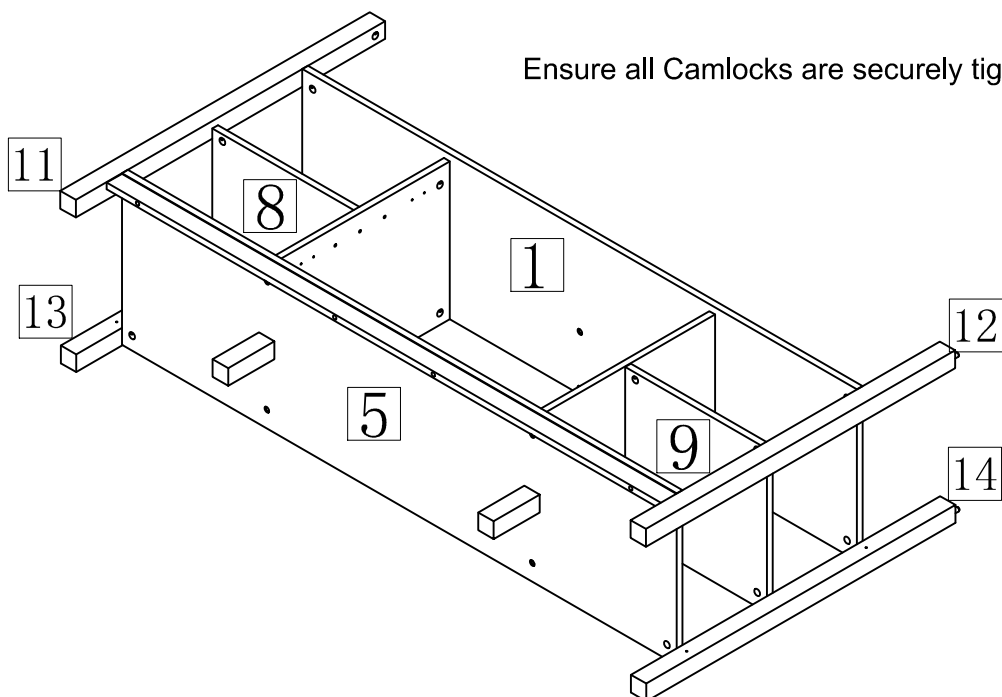
Step 15

Insert (7) Female Camlocks into the Upper Shelf, Right Shelf and Bottom Shelf.
Insert Male Camlocks in Right Front and Right Rear Legs and tighten Female Camlocks.



Step 16

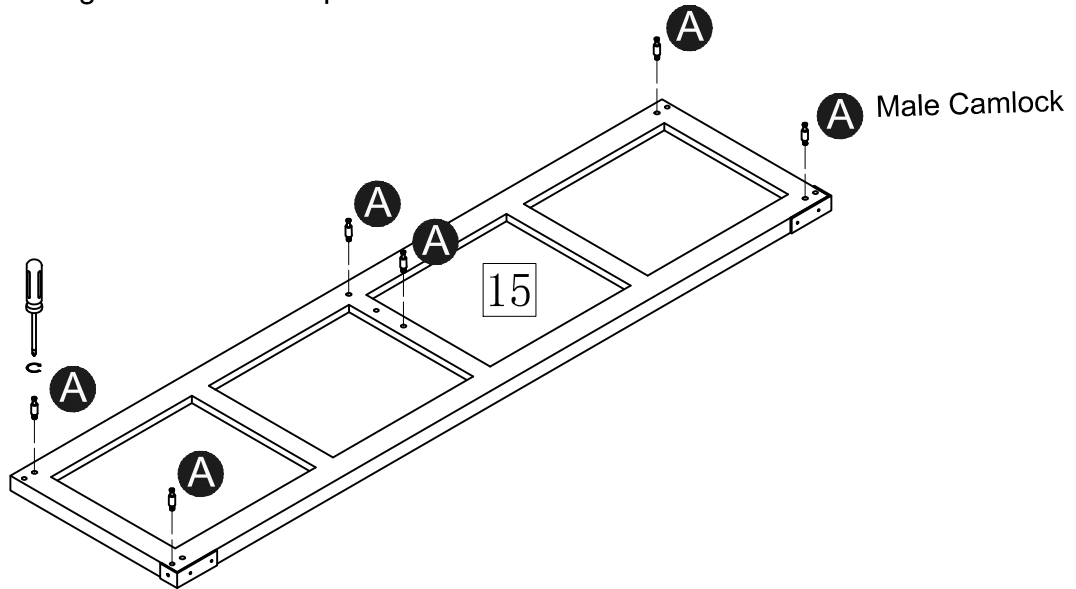
Ensure all Camlocks are securely tightened.



Assembly Instructions

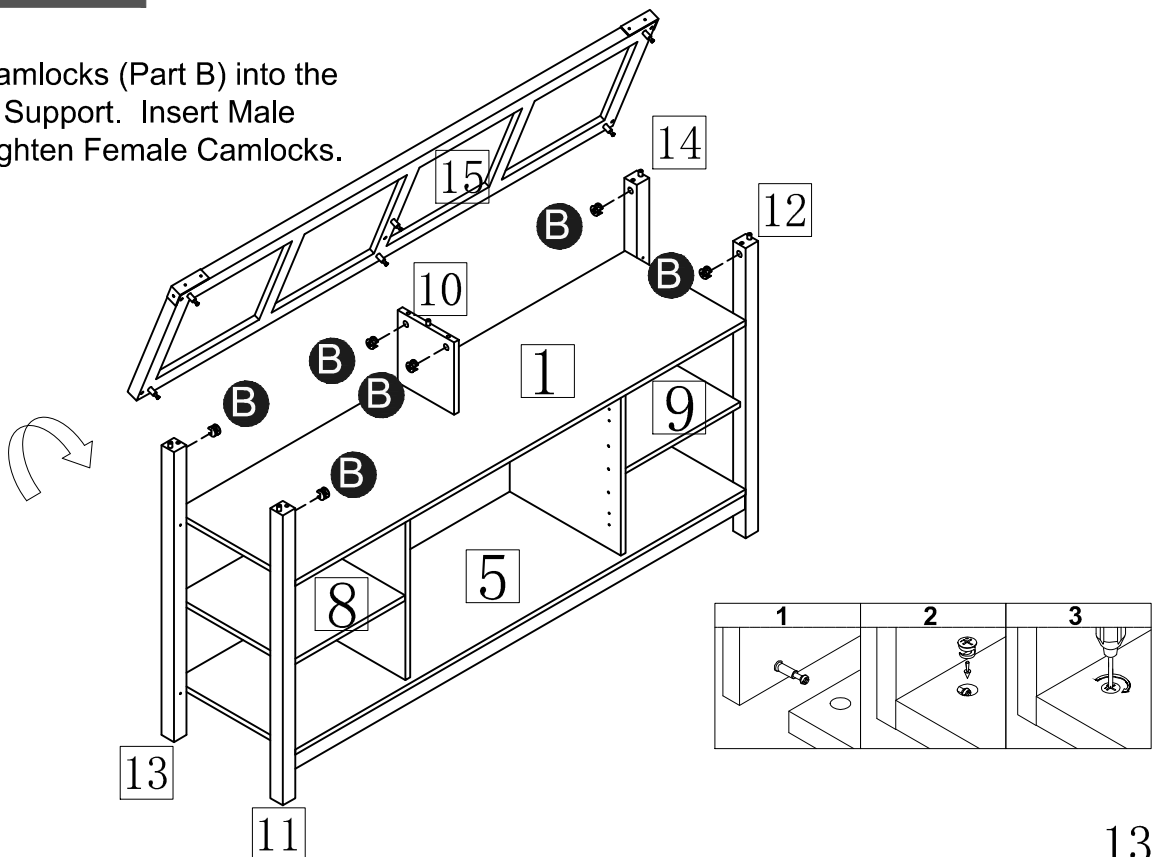
Step 17

Insert (6) Male Camlocks into underside of Cabinet Top (Part 13) as shown. Tighten with a Phillips Screwdriver.



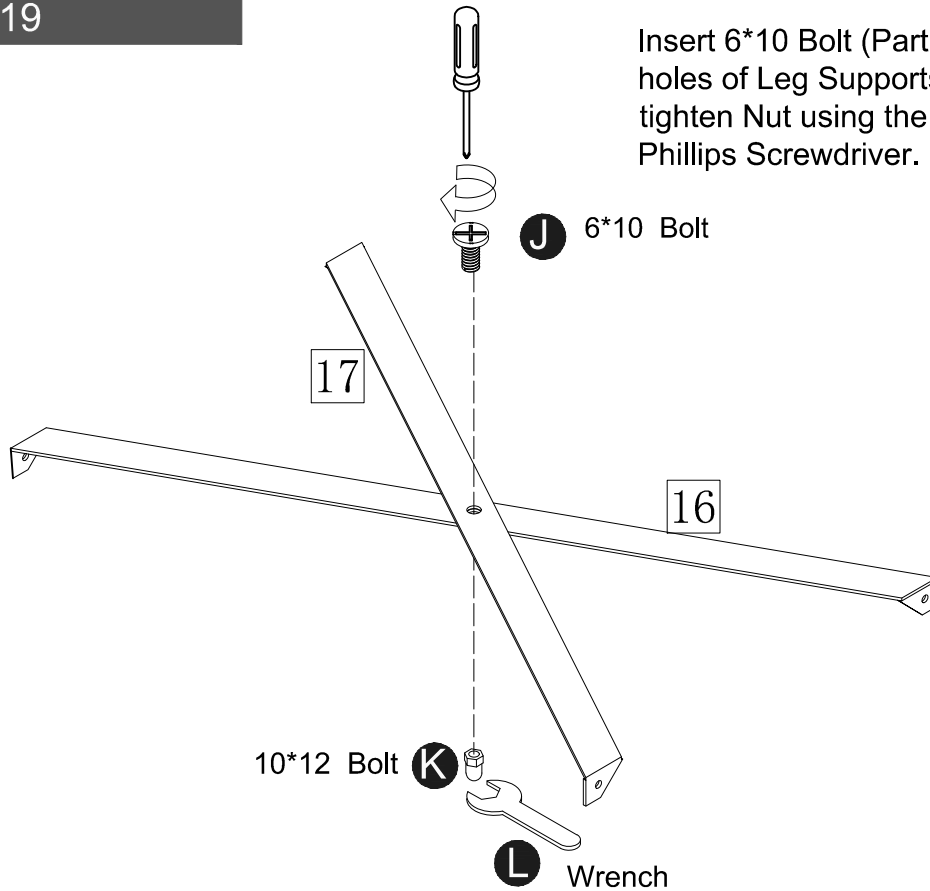
Step 18

Insert Female Camlocks (Part B) into the Legs and Upper Support. Insert Male Camlocks and tighten Female Camlocks.



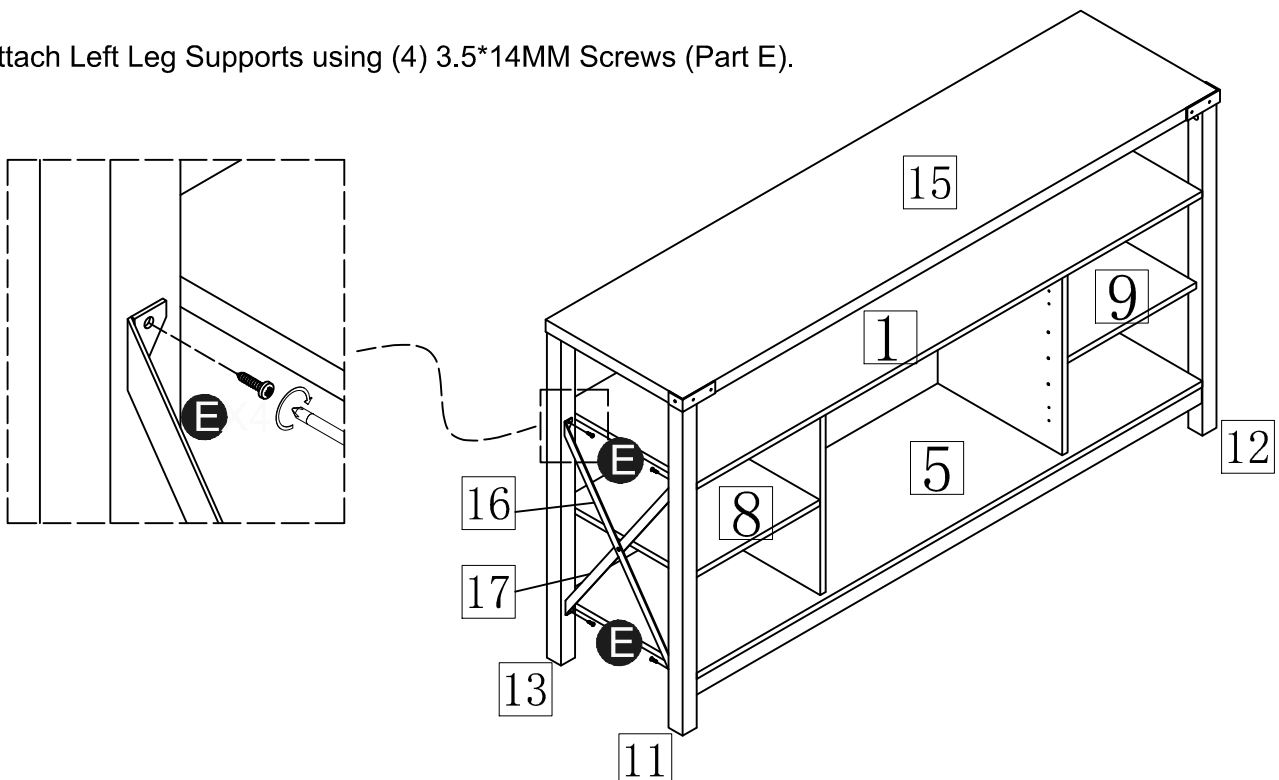
Assembly Instructions

Step 19



Step 20

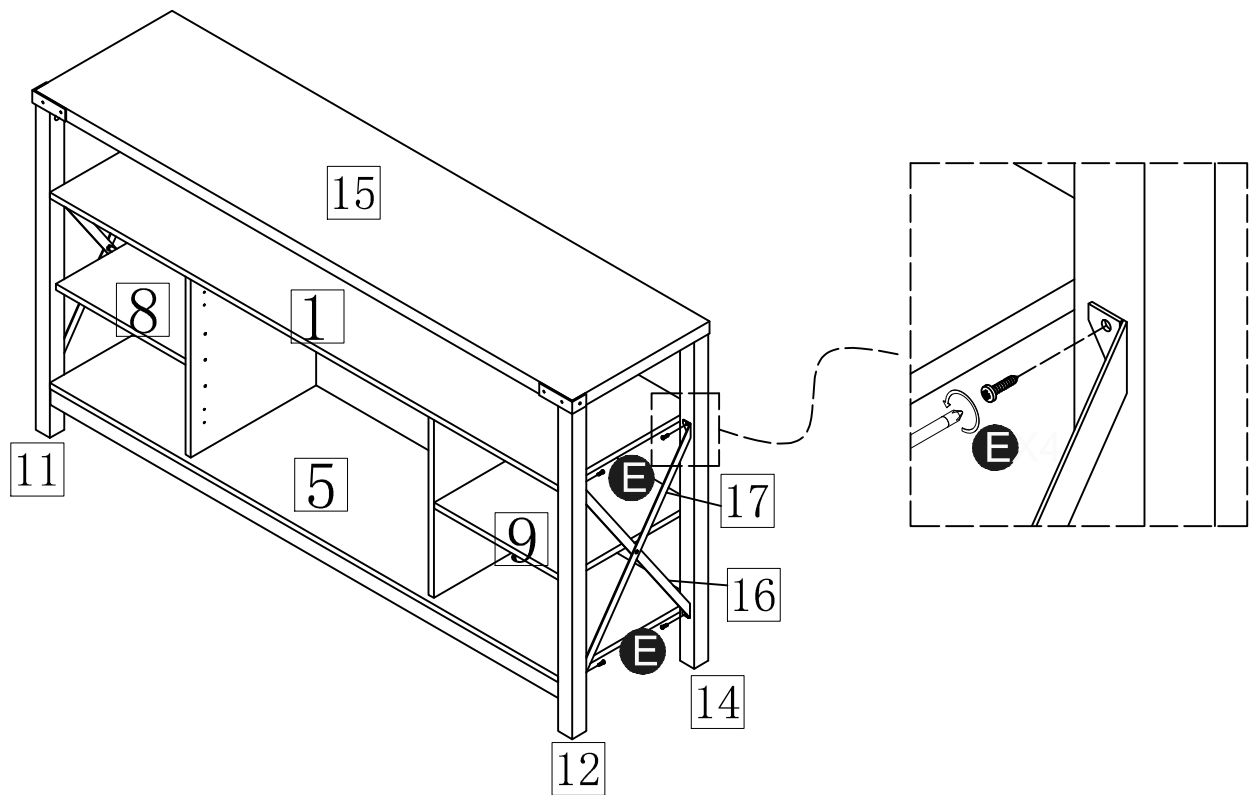
Attach Left Leg Supports using (4) 3.5*14MM Screws (Part E).



Assembly Instructions

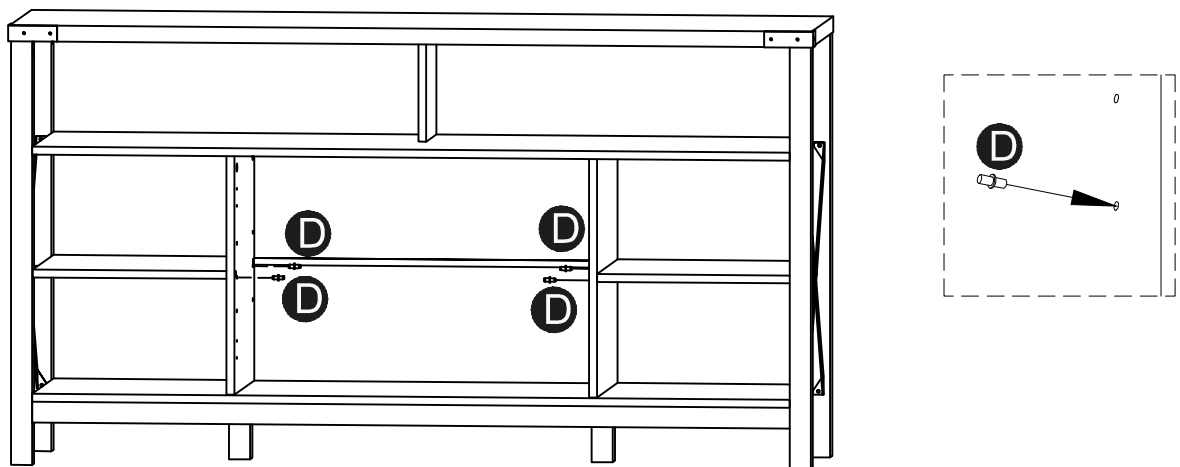
Step 21

Attach Right Leg Supports using (4) 3.5*14MM Screws (Part E).



Step 22

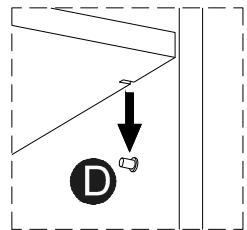
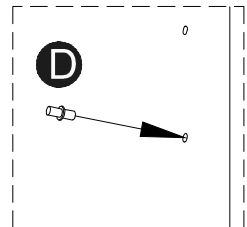
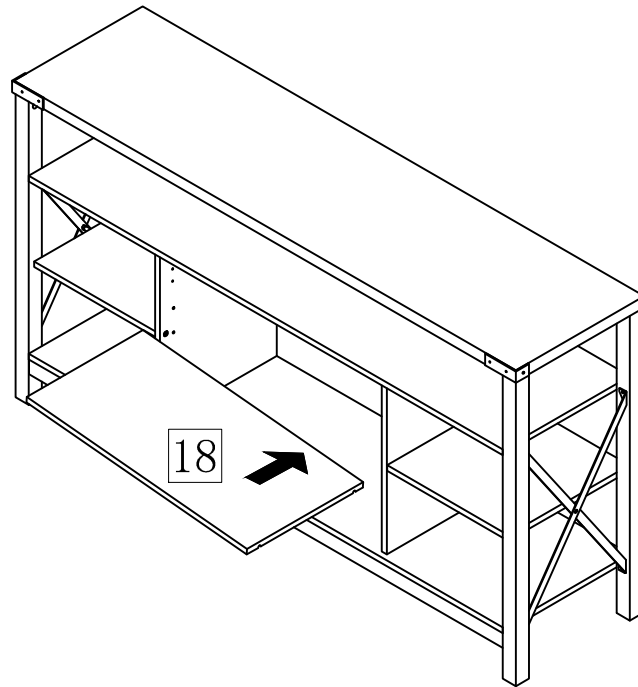
Insert Metal Shelf Support Pins (Part D) at your preferred height.



Assembly Instructions

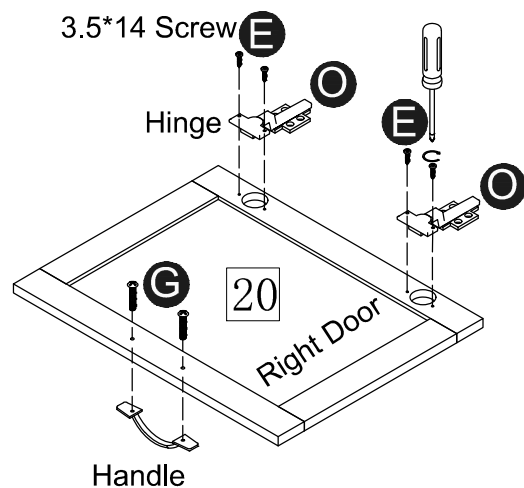
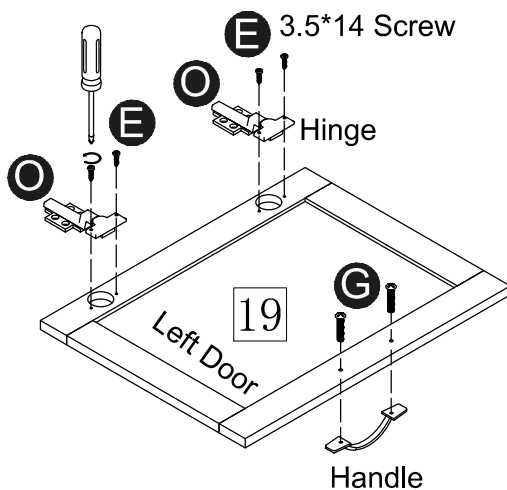
Step 23

Insert Center Shelf (Part 18).



Step 24

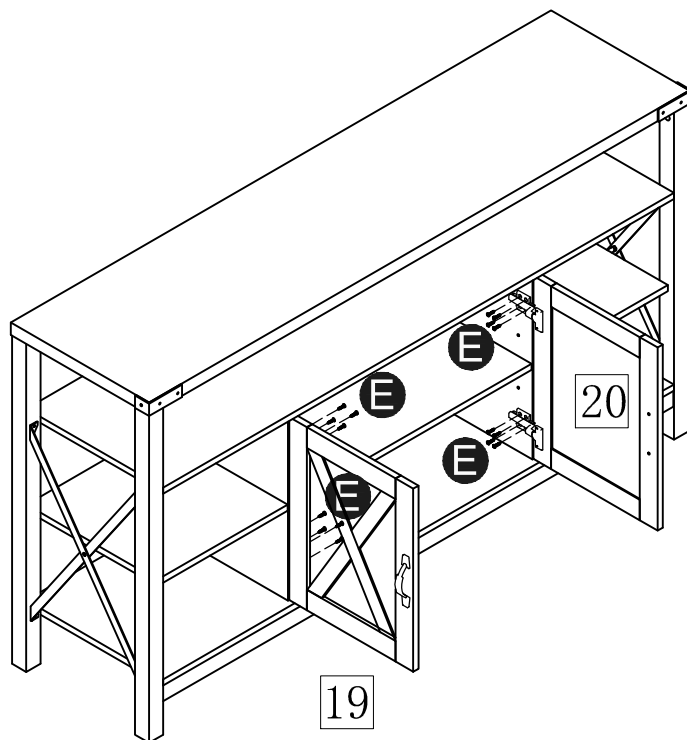
Attach (4) Hinges (Part O) to Left Door (Part 19) and Right Door (Part 20) using (8) 3.5*14MM Screws (Part E).



Attach Handles (Part G) to Doors using included Screws.

Assembly Instructions

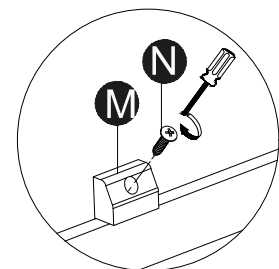
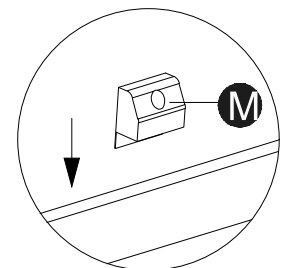
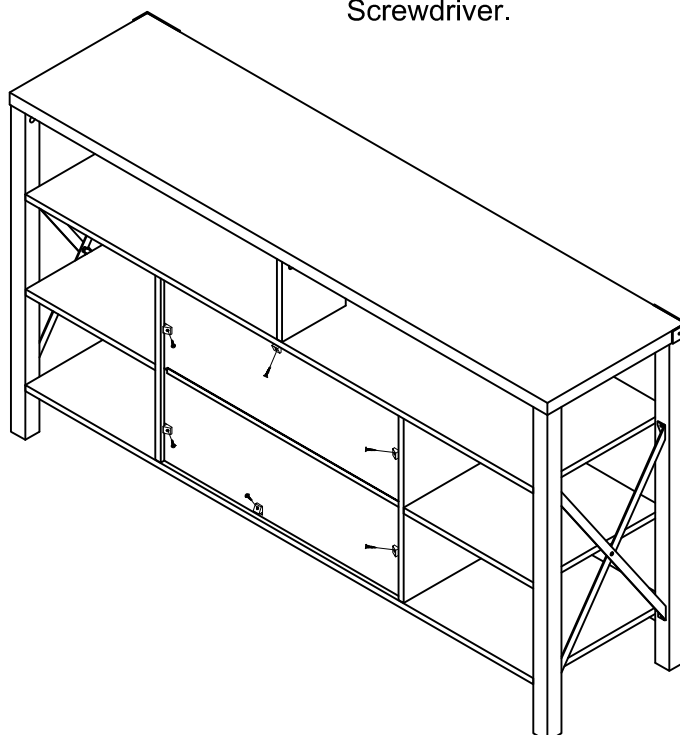
Step 25



Attach the other end of the hinges to the inside of the Center Panels using (16) 3.5*14MM Screws (Part E). Tighten or loosen the screws to ensure a proper fit.

Step 26

Attach (6) Brackets to the Back Panels using (6) 3*16MM Screws. Tighten with a Phillips Screwdriver.



Assembly Instructions

Step 27

The unit is floor standing, but it is recommended that the unit is secured to the wall.

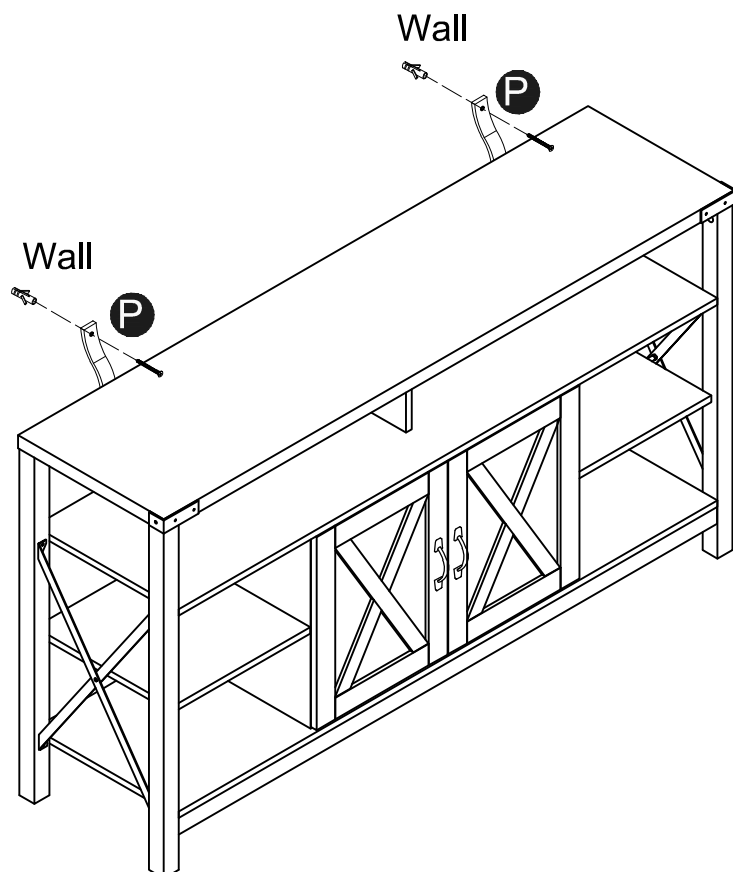
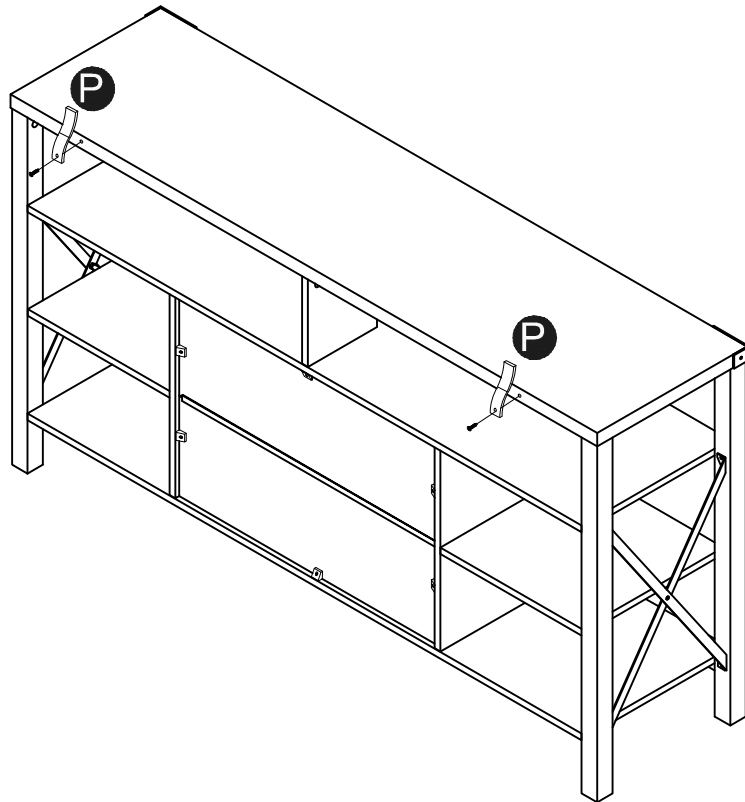
1. Move the unit into desired position.
2. Mark the wall with a suitable scribe the position of the fixing holes.



Warning:
Before drilling, check wall for hidden pipes and cables.

3. Drill holes and insert 2 x wall plug
4. Attach 2 x Wall Straps to the top of the unit using 2 x Washers and 2 x Screws
5. Secure the straps to the wall using 2 x Washers and 2 x Screws

Note: To hide the straps behind the unit, drill the holes lower than the top of the unit



A Guide to Wall Mounting & Fixings

Important note:

If plastic wall plugs (rawl plugs) are supplied with your product, e.g.:



- these are only suitable for use in masonry walls.

If you are in any doubt about the correct wall plugs for your wall, seek professional advice.


Failure of the product due to using the incorrect fixings is the responsibility of the installer.



Important: when drilling into walls always check that there are no hidden wires or pipes etc.

Make sure that the screws and wall plugs being used are suitable for **supporting your unit**. **Consult a qualified tradesperson if you are unsure.**

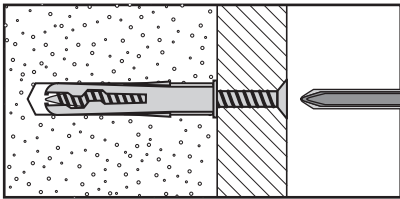
Hints:

- 1: General rule:  always use a larger screw and wall plug if you are not sure.
- 2: Ensure you use the recommended drill bit to match the wall plug and hole size.
- 3: Ensure you drill the hole horizontally; do not force the drill or enlarge the hole.
- 4: Take extra care when drilling high walls, ceilings and ceramic tiles. Ensure wall plugs are inserted beyond the thickness of the ceramic tiles to avoid the tiles splitting or cracking.
- 5: Ensure wall plugs are well fitted and are a tight fit in the drilled hole.

Types of walls

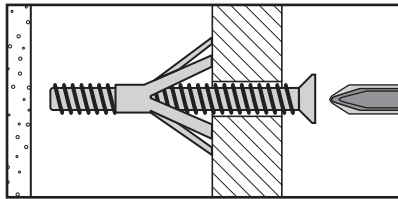
You can use one of the following types of wall plug if your walls are made of brick, breeze block, concrete, stone or wood.

No.1 "General Purpose" wall plug



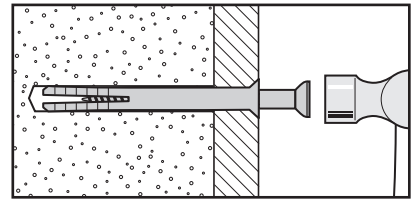
Generally aerated blocks should not be used to support heavy loads, use a specialist fitting in this case. For light loads, general purpose wall plugs can be used.

No.3 "Cavity Fixing" wall plug



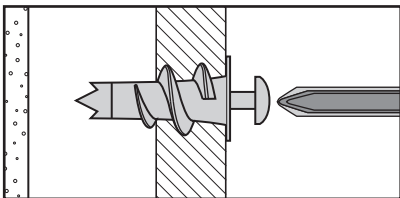
For use with plasterboard partitions or hollow wooden doors.

No.5 "Hammer Fixing" wall plug



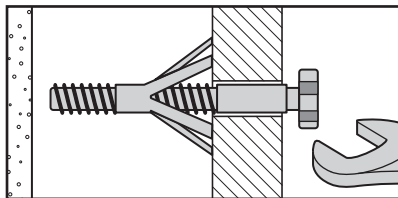
For use with walls stuck with plasterboard. The hammer fixing allows it to be fixed to the wall rather than the plasterboard. Always check the fixing is secure to the retaining wall.

No.2 "Plasterboard" wall plug



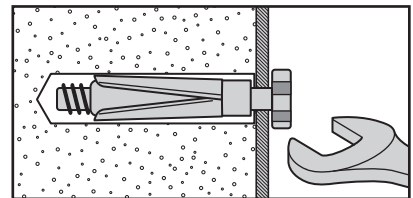
For use when attaching light loads onto plasterboard partitions.

No.4 "Cavity Fixing - Heavy Duty" wall plug



For use when fitting or supporting heavy loads such as shelving, wall cabinets and coat racks.

No.6 "Shield Anchor" wall plug - heavy loads



For use with heavier loads such as TV and HiFi speakers and satellite dishes etc.



Care & Maintenance

Safety: always check the fitting and location to ensure your safety in and around the home.

Fitting: from time to time check the fitting to ensure the wall plugs or screws do not become loose.