

# 15 Amp Switch with HomeKit Technology

decora smart™



## APPLICATION

Leviton's Decora Smart™ accessories with HomeKit™ technology are designed to streamline home control using HomeKit-enabled accessories. Apple® HomeKit technology provides an easy, secure way to control HomeKit-enabled accessories using Siri® voice control on your iPhone®, iPad® or iPod touch®. After installing your Decora Smart™ switch, configure it from the Leviton Decora Smart Home app with just a few simple steps. The free Leviton app provides control of connected loads, grouping into rooms and zones for easy control, as well as access to advanced lighting control settings including LED response activity.

## UNMATCHED STYLE

Decora Smart with HomeKit Technology switches leverage the popular Decora form factor and styling, along with compatible accessories including three-way devices, color change kits, and wallplates. To meet any decor, color change kits are available in black, ivory, gray, brown, white, and light almond. The switches feature true rocker action, pressing the top to turn on and the bottom to turn off. An indicator LED is hidden at the bottom of the rocker paddle, ensuring it won't catch dust or keep you awake at night. For the most professional and cleanest installation, pair the device with an optional Leviton screwless wallplate.

## FEATURES:

- The Decora Smart switch is HomeKit-enabled using Wi-Fi technology for residential applications
- No Hub Required for local app control
- Decora Smart Home app provides control over connected lights – control your lights individually or turn off an entire room at once
- Use Siri on your iPhone, iPad or iPod touch to turn lights on/off with just your voice
- White and Light Almond color faces included and six color change kits available
- ON/OFF LED
- Over The Air (OTA) firmware updates via Leviton Decora Smart Home App
- Single pole or three way compatible

## AGENCY STANDARDS AND COMPLIANCE

- Complies with FCC Part 15, Class B
- UL Listed (E66800)
- NOM Certified (#057)
- CSA Certified (File #152105)
- UL Listed (File #898F)

## WARRANTY INFORMATION

Five Year Limited Warranty

### Leviton Manufacturing Co., Inc. Global Headquarters

201 N. Service Rd. Melville, NY 11747-3138 Tech Line: 1-800-824-3005 Fax: 1-800-832-9538

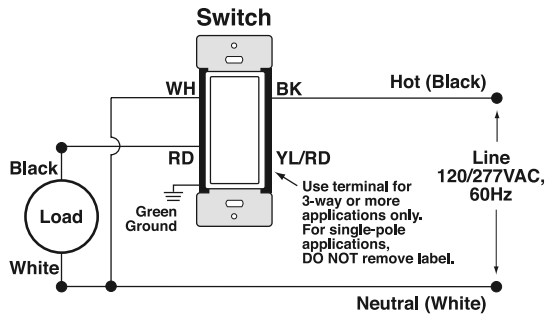
### Leviton Manufacturing Co., Inc. Energy Management, Controls and Automation.

4330 Michoud Blvd., New Orleans, LA, 70129 Tel: 1-504-736-9810 Fax: 1-504-253-2954

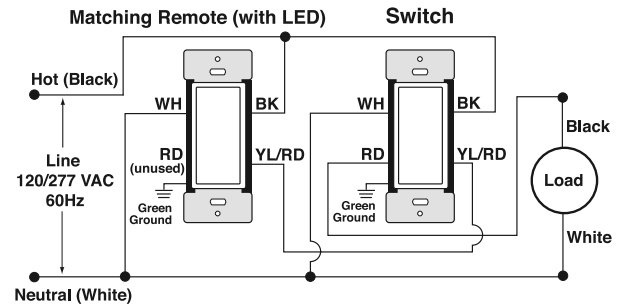
Visit our Website at: [www.leviton.com/decorasmart](http://www.leviton.com/decorasmart)

©2017 Leviton Manufacturing Co., Inc. All rights reserved. Subject to change without notice.

**SINGLE POLE WIRING DIAGRAM**



**THREE-WAY WIRING DIAGRAM**



**ORDERING INFORMATION**

DESCRIPTION	CAT. NO.
Decora Smart Switch with HomeKit Technology	DH15S-1BZ
Coordinating Switch Remote	DD0SR-1
Matching Switch Remote	DD0SR-DLZ

Decora Smart Switch with HomeKit Technology

**Leviton Manufacturing Co., Inc. Global Headquarters**

201 N. Service Rd. Melville, NY 11747-3138 Tech Line: 1-800-824-3005 Fax: 1-800-832-9538

**Leviton Manufacturing Co., Inc. Energy Management, Controls and Automation.**

4330 Michoud Blvd., New Orleans, LA, 70129 Tel: 1-504-736-9810 Fax: 1-504-253-2954

Visit our Website at: [www.leviton.com/decorasmart](http://www.leviton.com/decorasmart)

©2017 Leviton Manufacturing Co., Inc. All rights reserved. Subject to change without notice.

SAT-10116  
REV MAR 2017