

WALL 7

SEVEN STAND

—A2 GRAND TYPE—

Before assembling >P1

model number	Satin White WLTVL7111	Satin Black WLTVL7119	Walnut WLTVL7238
product ID	X04000076	X04000077	X04000078

Step1
Assemble the TV stand >P3

type Grand type **size** W68×D68×H117~142cm **material** steel **surface finish** powder coating
country of origin China **maximum load** 80" (77.1 lbs / 35kg equivalent) **weight** 45.1 lbs/20.5kg

Assembly Instructions [1st Edition]

Step2
Prepare to install the TV >P5

Thank you for purchasing this product.


In order to use this product safely and for many years, please read this document carefully and use the product correctly.

Also, keep this in a safe place so that you can refer to it as needed.

Please Note

- Nakamura Co. Ltd. assumes no responsibility for damage or injury of any kind because of the misuse or improper application of any part of this product in any way by any person.
- Nakamura Co. Ltd. shall not be liable for any indirect or consequential damages whatsoever.

Step3
Determine the installation height of the TV and assemble >P9

 **THIS PRODUCT CONTAINS SMALL ITEMS THAT COULD BE A CHOKING HAZARD IF SWALLOWED.**
caution · **KEEP ALL PRODUCTS OUT OF THE REACH OF CHILDREN WHILE ASSEMBLING.**
· **THIS PRODUCT SHOULD NOT BE USED IN HOMES OR OTHER ENVIRONMENTS WITH SMALL CHILDREN WHO MAY ACCIDENTALLY TIP OVER THE STAND AND TV, UNLESS A WALL STRAP HAS BEEN INSTALLED TO HELP SECURE THE STAND AGAINST TIPPING OVER.**

Step4
Install the TV to the TV stand >P11

Nakamura Co. Ltd. shall not be responsible for any damages in the following cases:

- 1) When the customer resells the product to a third party.
- 2) In case of failure or damage due to careless or improper handling.
- 3) In case of failure or damage caused by use in combination with other products.
- 4) In case of natural disaster, fire, environmental destruction, harmful substances, war, abnormal voltage or malfunction or damage due to external factors.
- 5) If product is used for purposes other than the original purpose.

TV tilt adjustment method >P12
Safety precaution >P13

This product was manufactured in China (country of origin) under the planning and quality control of Nakamura Corporation of Japan. Some specifications may differ due to improvements for better quality.

Nakamura Co. Ltd.

Official brand site : <https://equals.tokyo/>

Contact us in English : info-gl@nakamura-jpn.co.jp



Be sure to check before assembling

This product may not be used with certain TV models.

Be sure to check this product can be used with your TV before assembling, referring to the following.

1 Make sure that your TV meets all three of the following requirements

1-1. The size of the TV must be between 45" and 80"

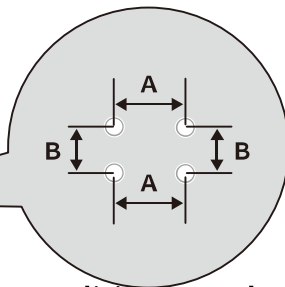
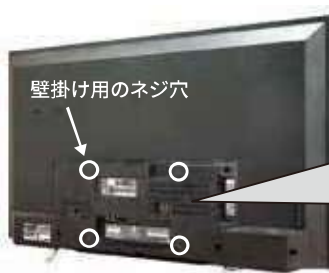
1-2. The weight of the TV (excluding the stand) must be 77.1 lbs / 35kg or less

1-3. Written documentation from the TV's manufacturer says it is a wall-mounted TV

*Some TVs do not support wall mounting, even if the back of the TV may appear to support it.

2 Check the back side of your TV

2-1. The spacing between the four screw holes meets the conditions A and B below

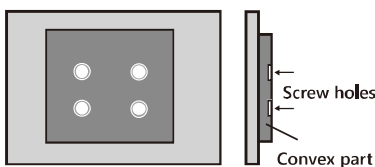


A : Any of 10, 20, 30, 40, 50, 60cm

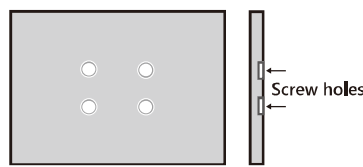
B : Within the range of 10 - 40cm

2-2. Satisfy all of the above conditions, and satisfy any one of the following

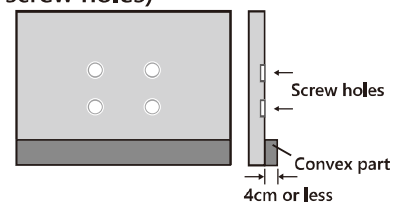
All 4 screw holes are on the raised part (shaded area) of the TV's back, or



There is no raised part near the surface of the 4 screw holes, or

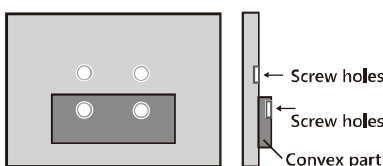


The difference in height between the raised part (shaded area) and the rest of the TV's back is 4cm or less (if the raised area is located below the 4 screw holes)

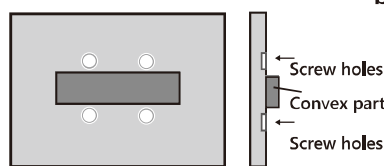


The following TVs cannot be installed onto this product:

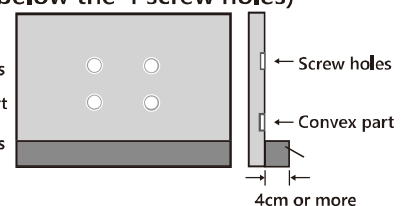
Less than all of the 4 screw holes are located on the raised part (shaded area) of the TV's back



There is a raised part (shaded area) between the 4 screw holes

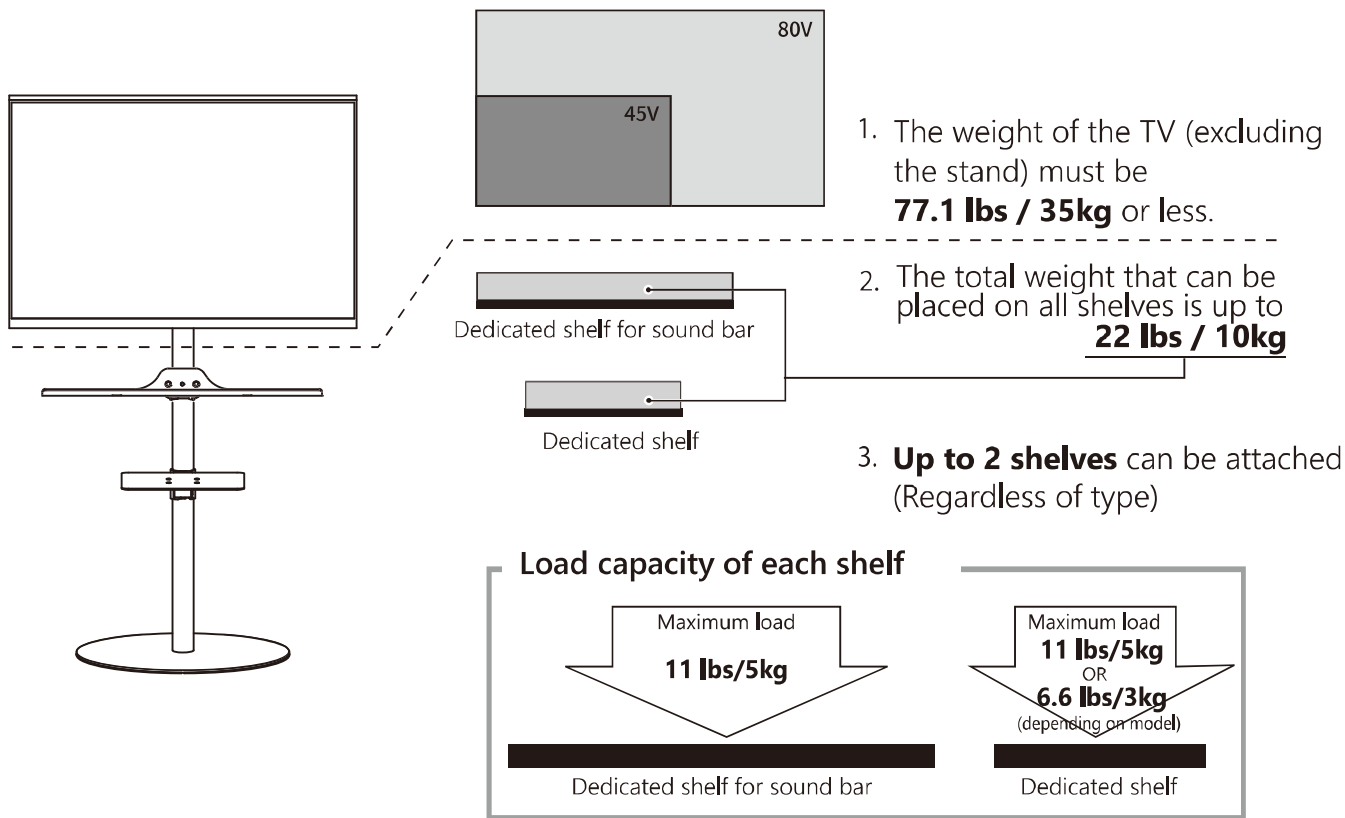


There is a difference of 4cm or more between the height of the raised part (shaded part) and the rest of the TV's back (if the raised part is located below the 4 screw holes)



3

Precautions regarding load capacity and installation of shelf



as of January 2025

✓

77.1 lbs / 35kg

— 11 lbs / 5kg

— 11 lbs / 5kg

✓

The total weight on all shelves is no more than **22 lbs / 10kg**

— 11 lbs / 5kg

— 11 lbs / 5kg

✗

The weight of the TV is **77.1 lbs / 35kg** or less with or without shelves

88.1 lbs / 40kg

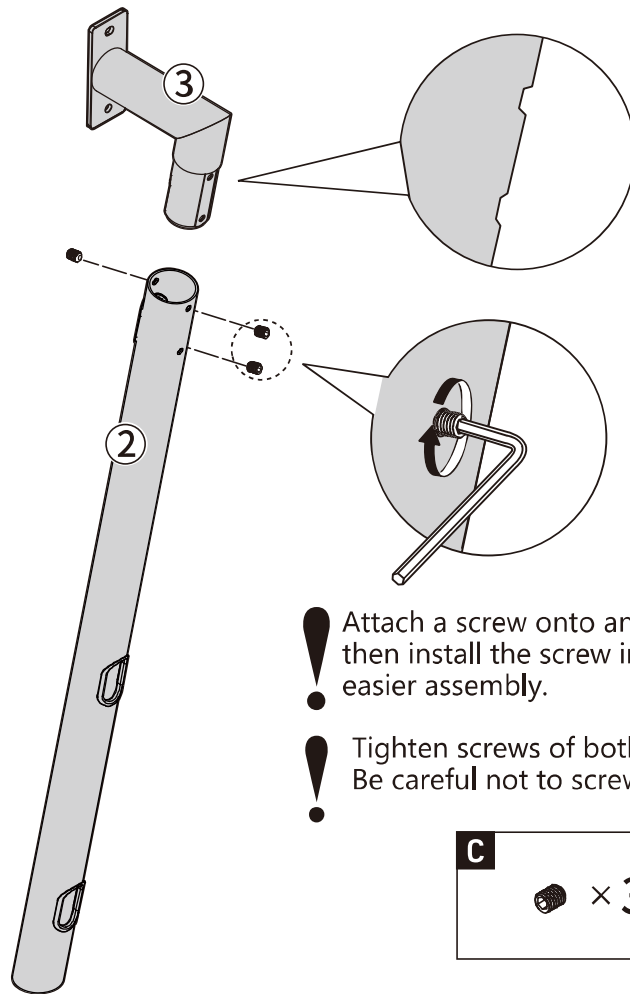
✗

Up to **2 shelves** can be attached

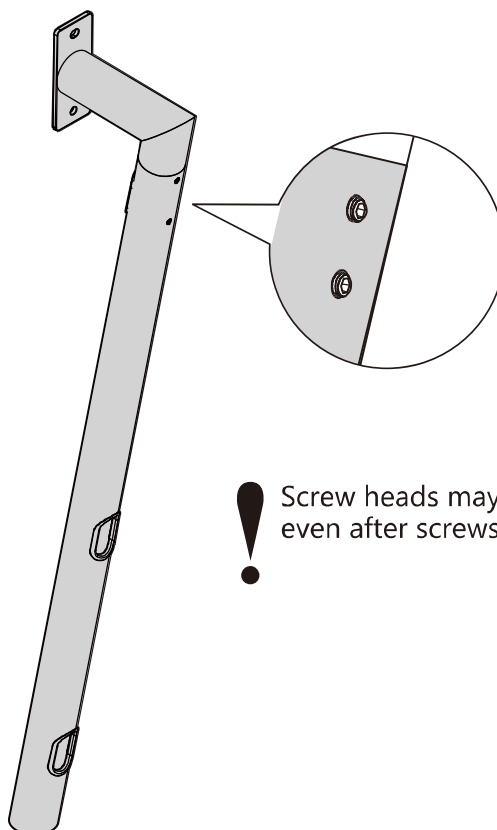
Step 1

Assemble the TV stand

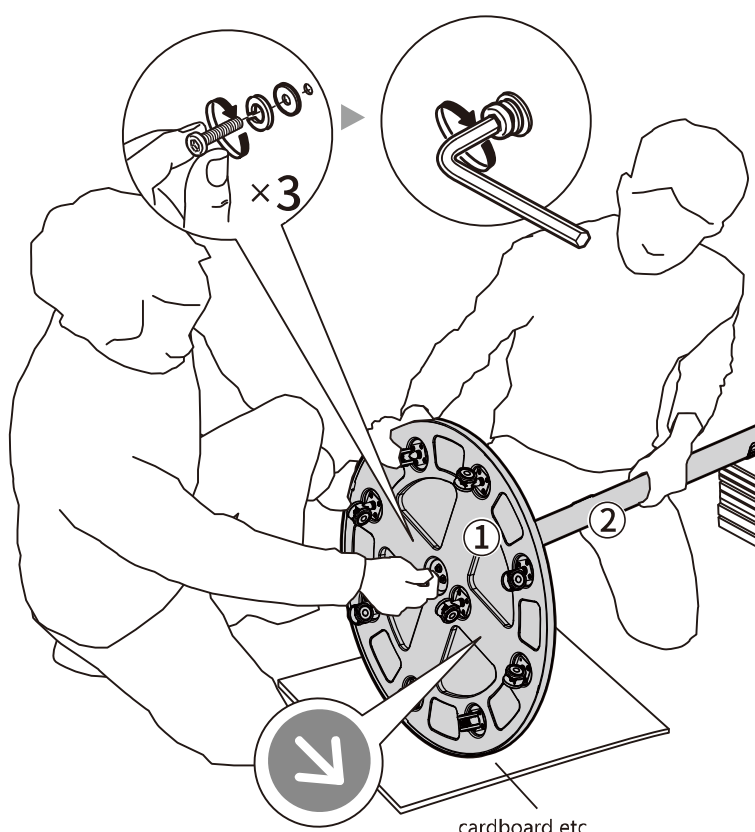
1



2



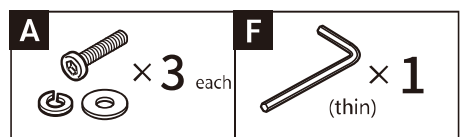
3



! Two or more persons do the installation.

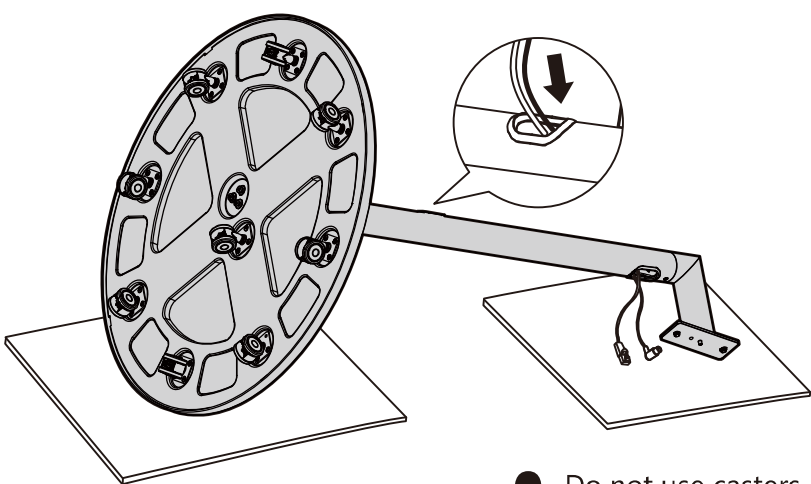
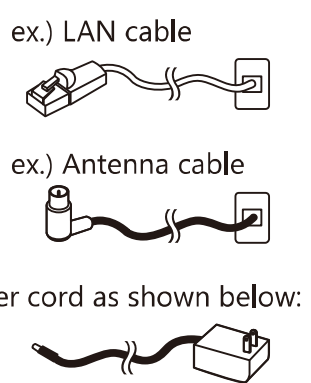
! Put magazines and others for easier assembly.

! To make sure an arrow mark on the back of ① and a plate of ③ are facing the same direction.



4

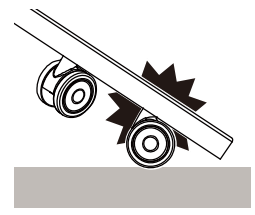
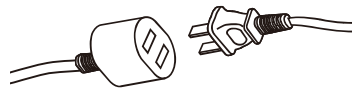
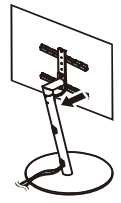
Put through the cables before installing the TV.



! Insert other cords into ② through a hole on the top after installing a TV.

! Not to use extension cords inside of ② pipe, which may be the cause of fire and malfunction by loose connection.

! Do not use casters as a pivot point when getting it up

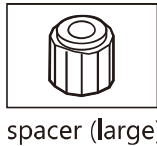


Step 2

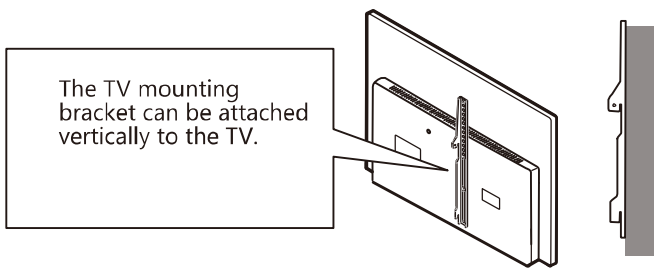
Prepare to install the TV

1 Apply the TV mounting bracket to the TV

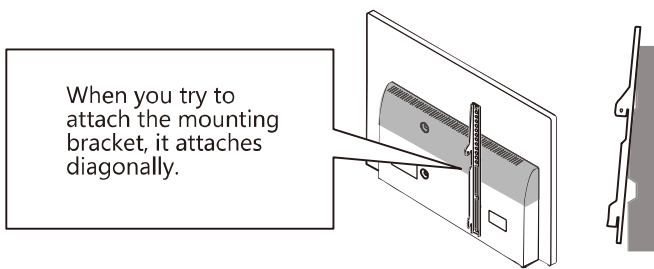
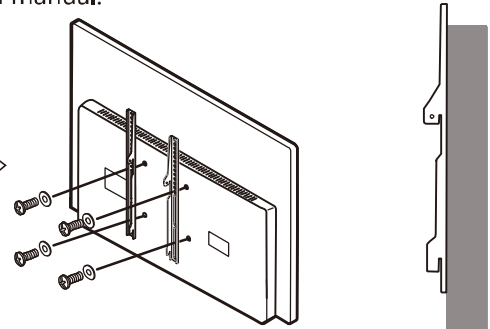
The shape of the back of the TV determines whether or not the spacer (large) is used.



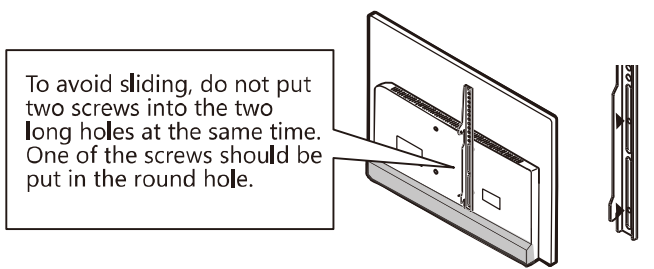
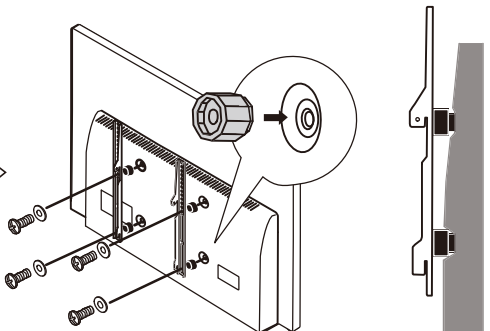
It is designed so that it can be attached to various TVs. Please install it according to the installation method that suits your TV. Some TVs recommend a dedicated mounting method, so please check the TV wall-mounted design manual.



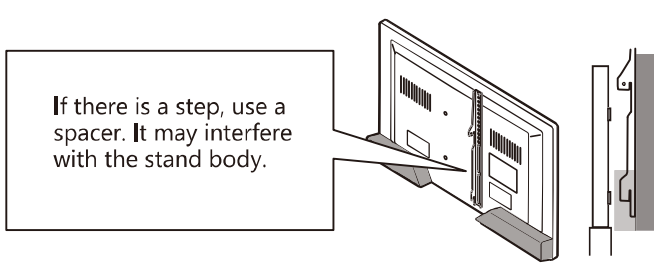
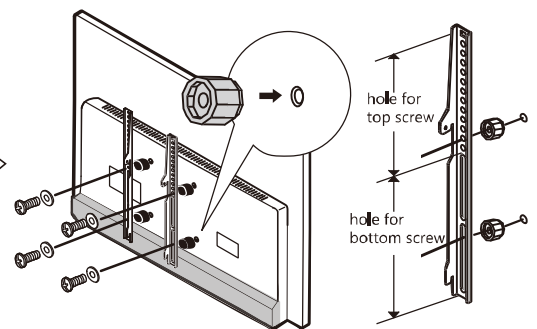
No spacer required



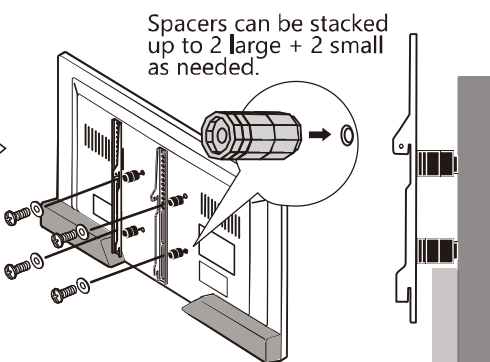
How to install A



How to install B

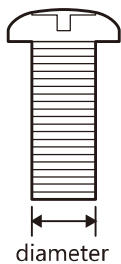
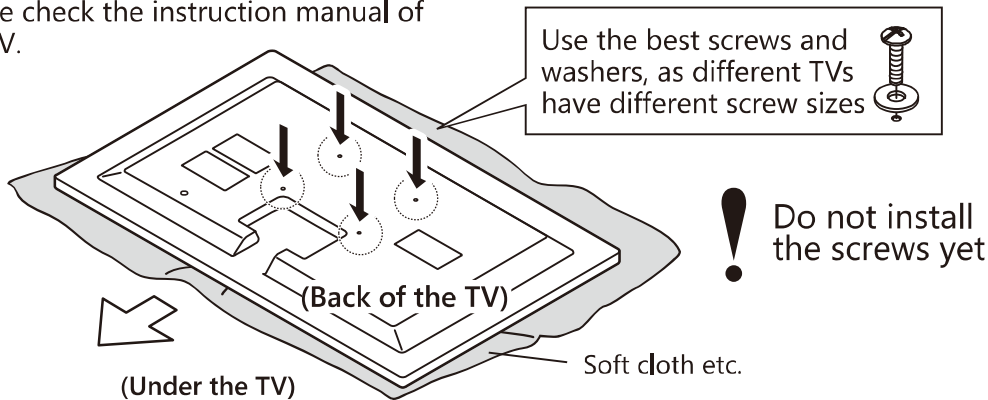








How to install C



2 Check the diameter of the screw holes

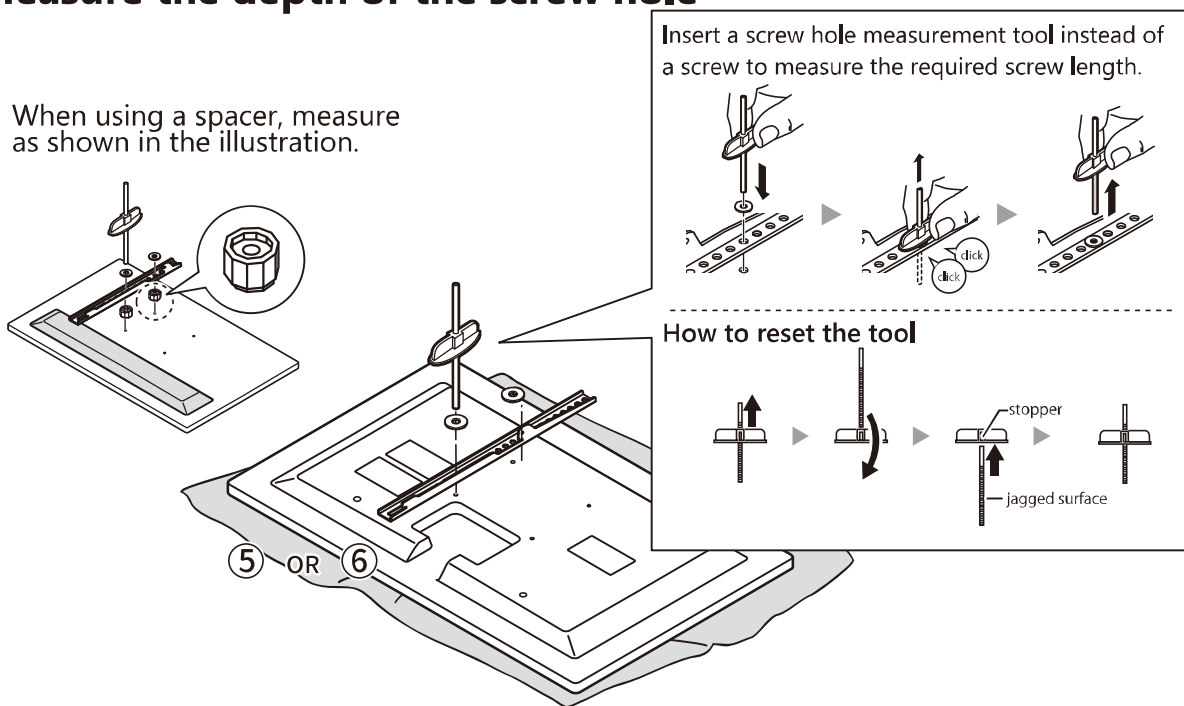
! To prevent the panel from cracking, some TVs should not be laid down, so please check the instruction manual of the TV.






M	N	O
 × 4 (small)	 × 4 (medium)	 × 4 (large)
 × 4 each (15, 25, 35mm)	 × 4 each (15, 25, 35, 45, 55mm)	 × 4 each (15, 25, 35, 45mm)

3 Measure the depth of the screw hole

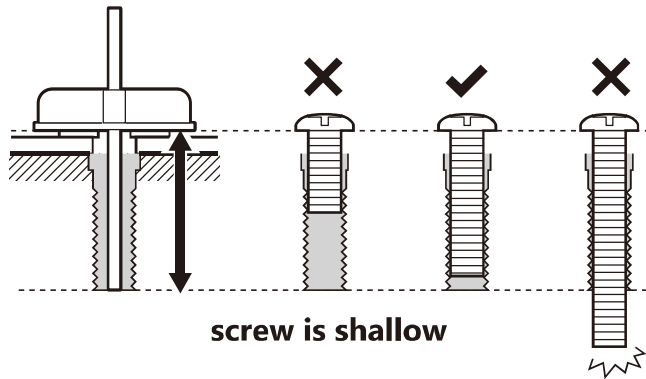
! When using a spacer, measure as shown in the illustration.



 (small)	 (medium)	 (large)
---	--	---

4

Choose the screw of the required length



screw is shallow

screw is too long



If the thickness of the screws in the screw set does not match or the length of the screws is not enough, please purchase.

M (diameter) x (length) mm
e.g. 5mm diameter, 15mm length

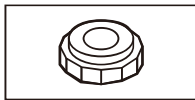
--> M5 x 15mm

Please select "truss screws" or "pan screws".



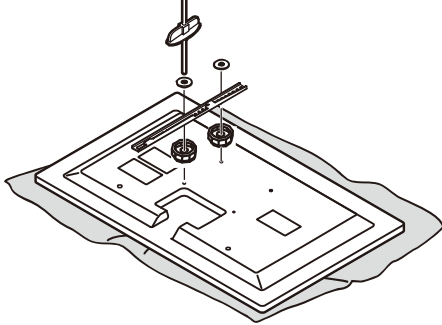
There is no problem if the screw is hooked 5 turns or more.

If you can't find a screw of the required length, use spacer(small) to adjust the screw length.

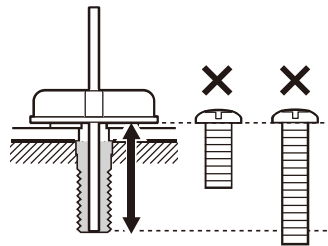


spacer (small)

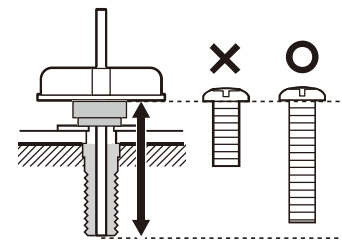
The thickness is approximately 5mm.



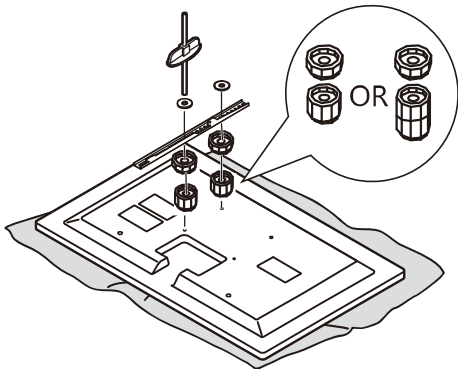
Before adjustment



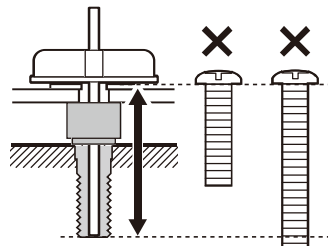
After adjustment



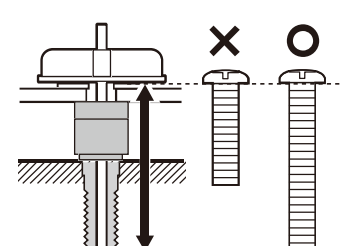
When used in combination with a spacer (large)



Before adjustment



After adjustment



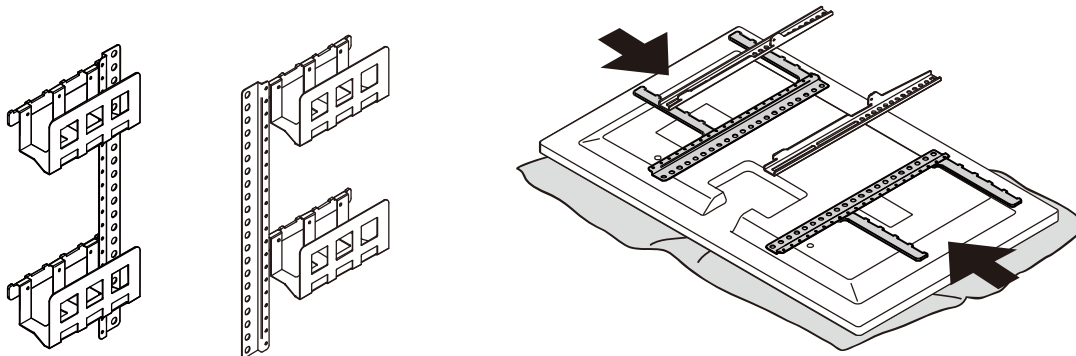
5

Assemble with suitable screws.

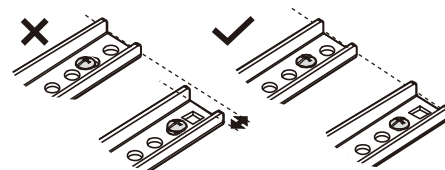
Spacers only if needed.

[Sold separately] Installation of MULTI DEVICE HOLDER

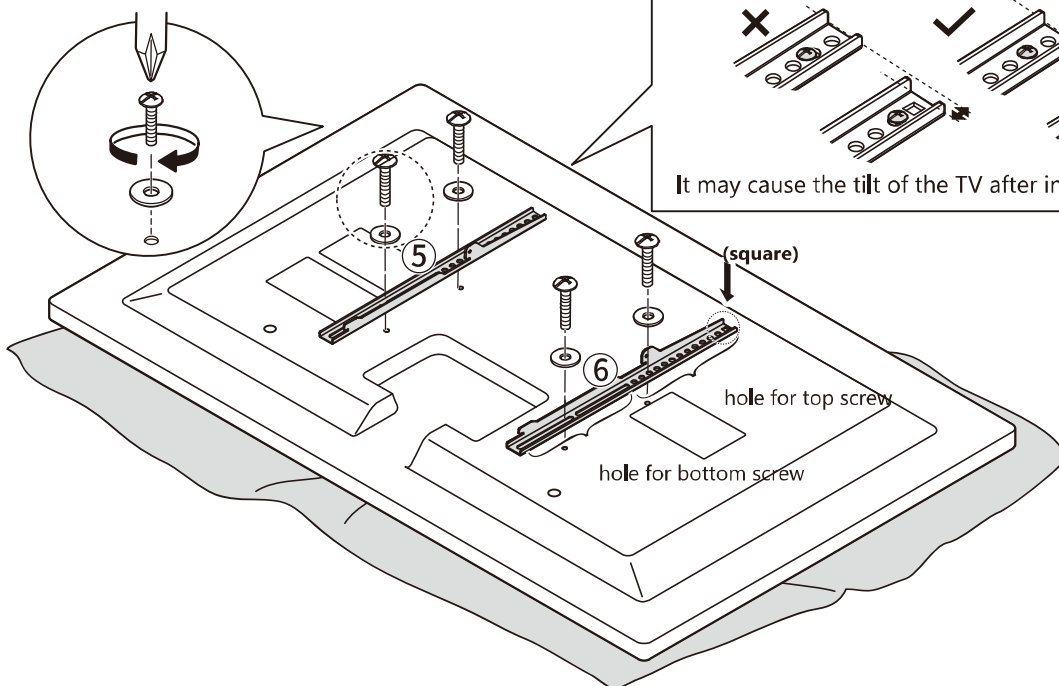
• Install it here with TV mounting brackets



Match the right and left heights



It may cause the tilt of the TV after installation.



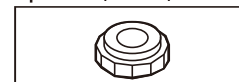
! To prevent the panel from cracking, some TVs should not be laid down, so please check the instruction manual of the TV.

<p>M</p> <p>○ × 4 (small)</p> <hr/> <p>⚙ × 4 each (15, 25, 35mm)</p>	<p>N</p> <p>○ × 4 (medium)</p> <hr/> <p>⚙ × 4 each (15, 25, 35, 45, 55mm)</p>	<p>O</p> <p>○ × 4 (large)</p> <hr/> <p>⚙ × 4 each (15, 25, 35, 45mm)</p>
---	--	---

spacer (large)



spacer (small)

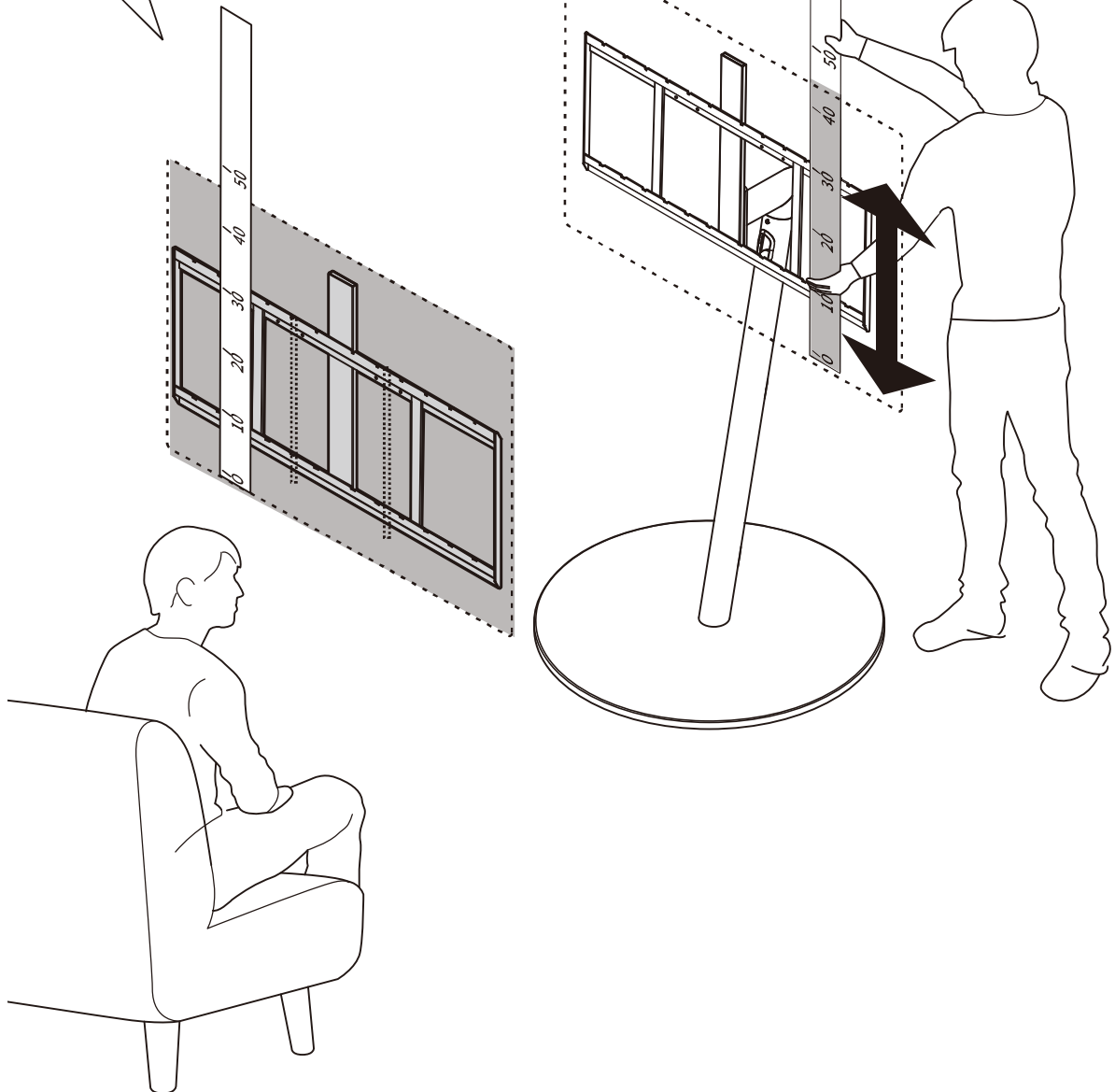


Step 3

Determine the installation height of the TV and assemble

Place the attached paper measure on the TV to mark it, and make the paper measure look like a TV.

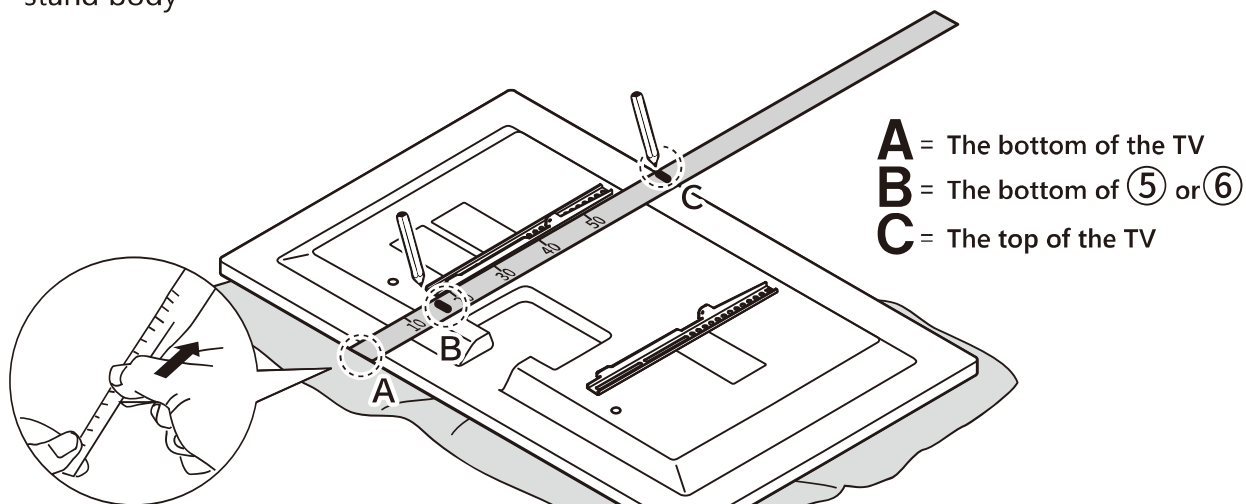
Move the paper measure up and down while touching the stand, and determine the height by imagining the screen position after installing the TV.



1

Make marks on a paper measure

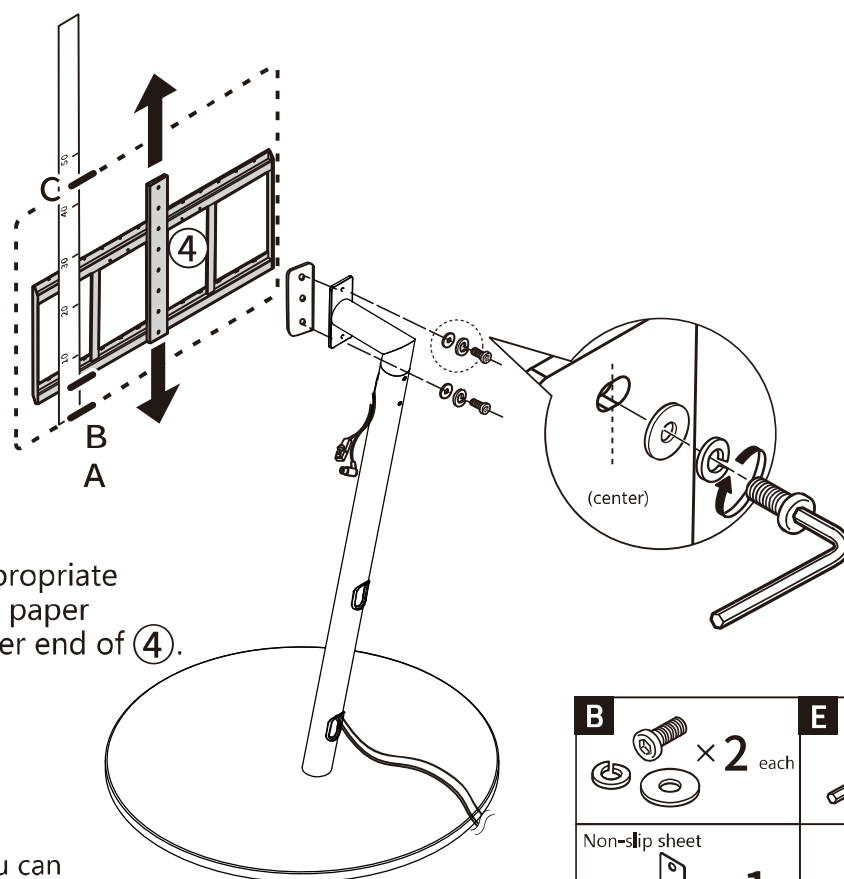
Use a pen to write the marks A and C for the size of the TV and the mark B to match the stand body



- ! Paper measures are easier to use if you crease them in half.
- The mark B is the level for matching with the stand body.




2

Determine the height



- ! Attach ④ at an appropriate height by putting a paper measure at the lower end of ④.

- ! From this height, you can increase the height by 5cm, up to a maximum of 20cm

B	 × 2 each	E	 × 1 (thick)
	Non-slip sheet		
	 × 1		

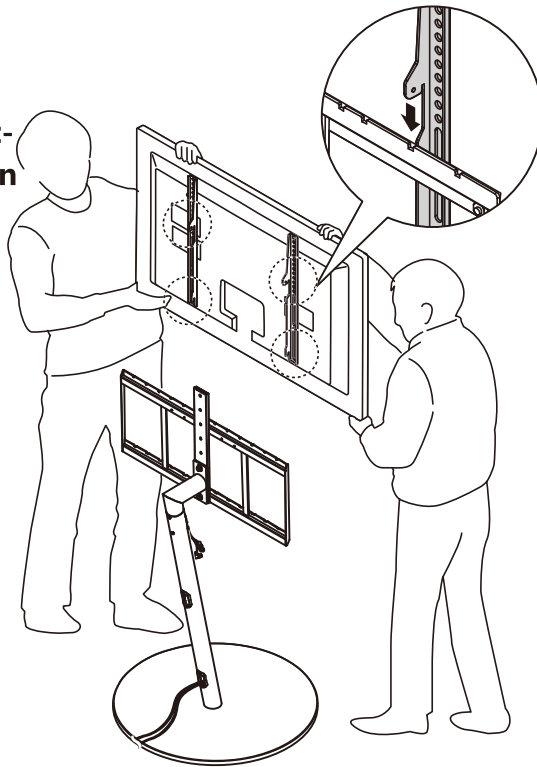
Step 4

Install the TV to the TV stand

1

! Do not apply pressure directly to the TV screen. TV screen can be damaged when pressed too hard.

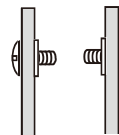
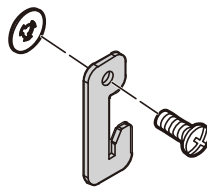
Refer to the instruction manual of the TV for how to hold the TV. Two or more persons do the installation.



2

Step 1. Preparation

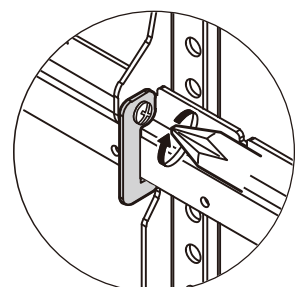
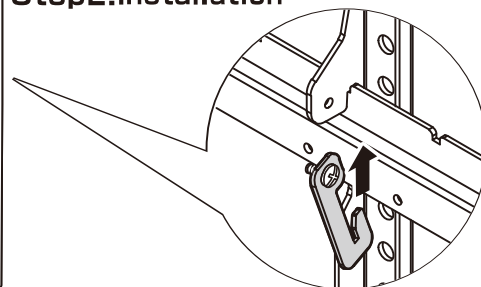
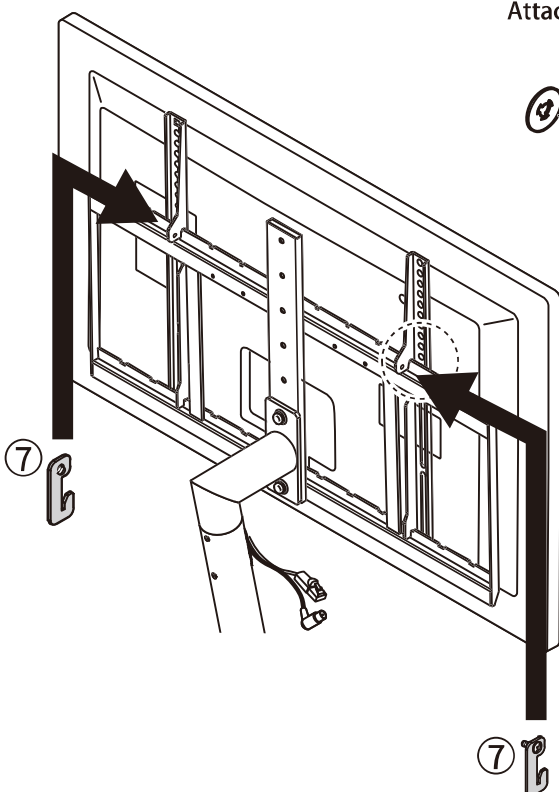
Attach a retaining washer to the screw.



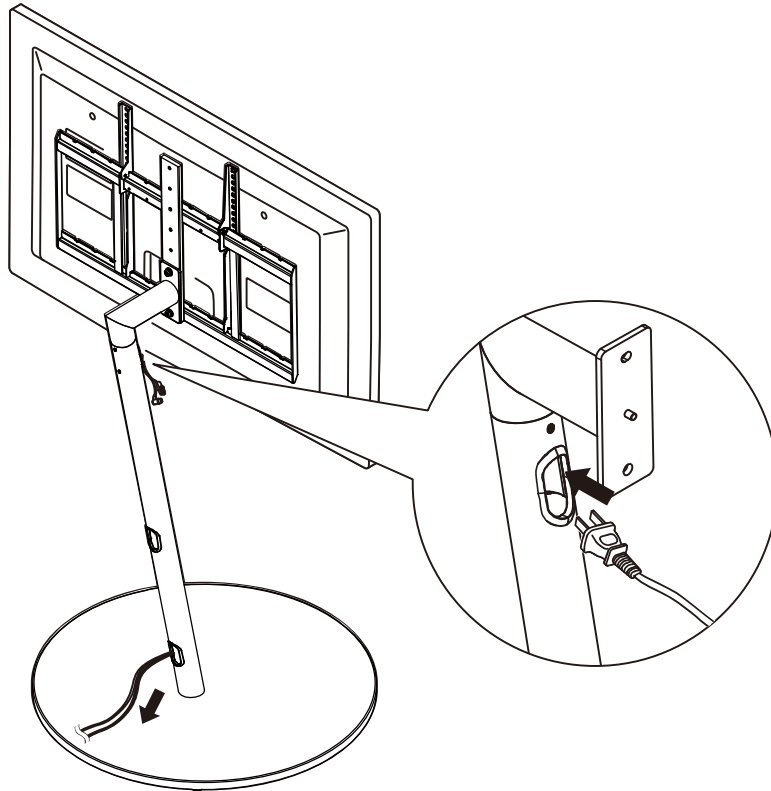
Point

Pay attention to the inserting direction of the screws and attach them properly.

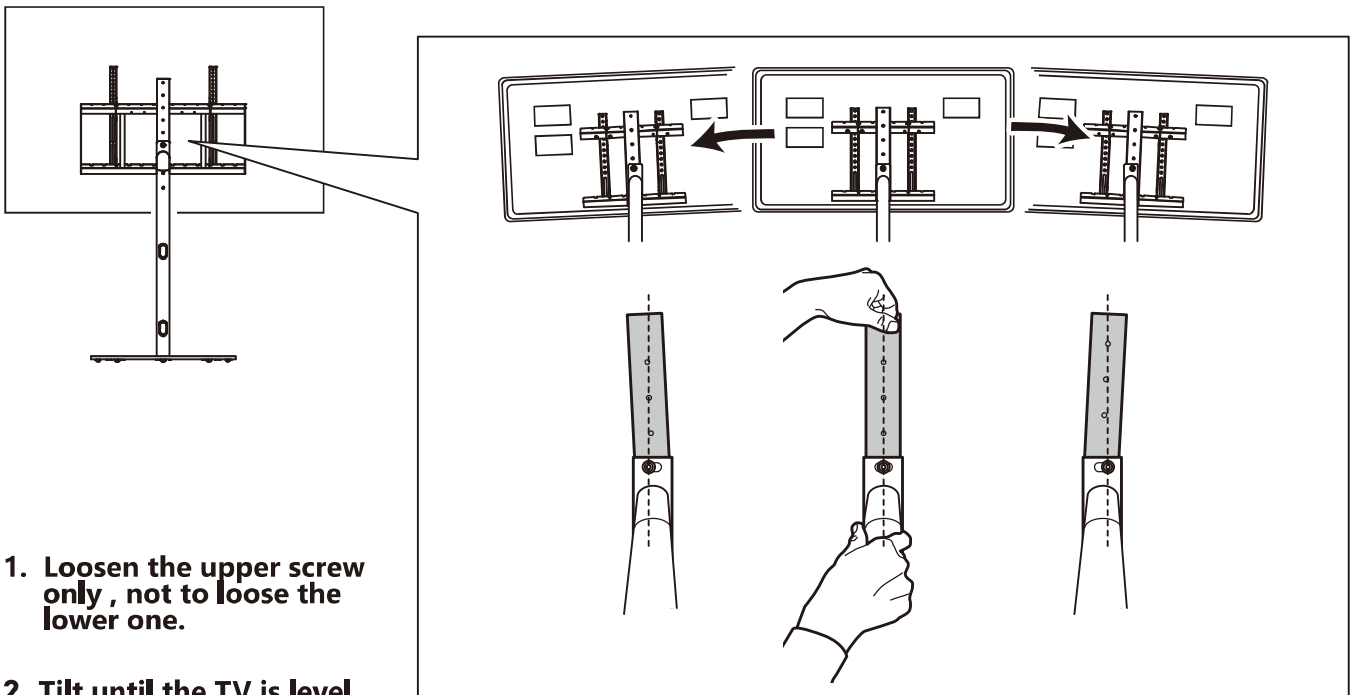
Step 2. Installation



3 Put through the cables



How to adjust the tilt of the TV



1. Loosen the upper screw only, not to loose the lower one.

2. Tilt until the TV is level

3. Tighten the screw



Adjust the tilt while supporting a TV

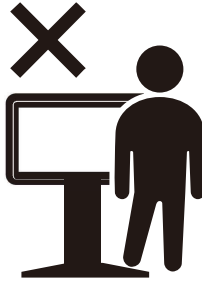
! Safety precautions

Failure to abide by the following advisories may result in personal injury or property damage:



Securely tighten bolts and screws in place before installing the TV

The TV stand may fall over or the TV may fall off, resulting in damage or injury.



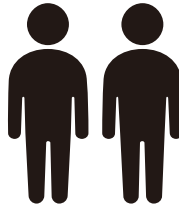
Do not step on the base

The TV stand may fall over or the TV may fall off, resulting in damage or injury.



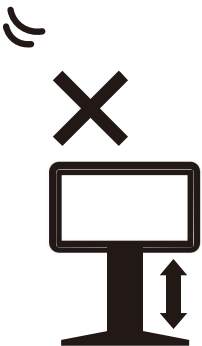
Do not install the TV stand on a unstable place

Install on a flat and stable place with sufficient load bearing strength. (Do not install on sloped or uneven surfaces, unstable surfaces such as carpets, or deformed surfaces)



Do not move the TV stand with the TV installed

The TV stand may fall over or the TV may fall off, resulting in damage or injury.



Do not adjust the height with the TV installed

The TV stand may fall over or the TV may fall off, resulting in damage or injury.



Do not apply pressure directly to the TV screen. TV screen can be damaged when pressed too hard

Refer to the instruction manual of the TV for how to hold the TV.

And be careful when you move the TV stand with casters.

There is a risk of tripping over cords, which could lead to the TV stand or TV falling, posing a danger of tripping for yourself and your family. Please exercise extra caution when using this in places with small children or elderly individuals.

Nakamura Co.Ltd. assumes no responsibility for damage or injury

of any kind because of tipping over the stand and TV in case of an earthquake or accident.



Never allow children to climb, hang or move the TV stand and TV.

The TV stand may fall over or pinch your toes, resulting in damage or injury.



Take safety precautions when not moving the TV stand.

Consider using the fall prevention strap or some stoppers.



Caution

If the following precautions are not observed, injury or property damage may occur.

1 Assembly and installation

1. Causes of falls and damage

Be sure to assemble and install on a stable and flat surface. Spread a thick cloth or cardboard over the workspace so as not to damage the floor or walls.

2. Causes of discoloration and damage

For indoor use. Keep away from direct sunlight, as well as direct airflow from heating or, air conditioning.

In some cases, depending on the type of flooring or floor material, there is a possibility that caster marks or color transfer may occur on the floor surface with use.

3. Causes of fire and electric shock

When installing or removing a flat-screen TV from this product, be sure to turn off the power switch of the flat-screen TV, unplug the power plug from the outlet, and disconnect external connection cords (such as the cord between the antenna and TV).

Otherwise, the cord may be damaged, resulting in fire or electric shock.

2 During use

1. Causes of falls, injury and damage

Do not stand or hang on the product or use it for anything other than a TV stand.

Do not apply a concentrated load to the TV stand. (It may tilt).

Be careful not to pinch hands or fingers.

When you move the TV stand with casters, not to move it forcefully or rotate it.

Be careful not to trip over a power cord.

There is a risk of tripping over cords, which could lead to the TV stand or TV falling, posing a danger of tripping for yourself and your family. Please exercise extra caution when using this in places with small children or elderly individuals.

Due to the weight of the TV/monitor, it may require some force to move.

Please be assured that it is difficult for small children or pets to move it by force.

2. Causes of fire and discoloration

Do not use near a fire or heat source such as a stove or heater.

3. Cause of odor

When unpacking, there may be residual smells from packing materials or paint. Wipe well with a clean dry cloth and leave in a well-ventilated place for a while.

3 Care and maintenance

Causes of cracking, discoloration and deformation

Do not wipe the surface with a damp cloth.

Do not use cleanser, thinner, benzene, alcohol, kerosene, etc.

- Use a soft cloth soaked in a diluted neutral detergent, tightly wrung, to remove dirt, and wipe off any residual moisture with a dry cloth.

- Check the screws regularly and tighten them securely if they are loose. (Once a month)

