

Job Name:	
Submitted By:	



Submittal Sheet For:	CK012GMSILDFHG / YN012GMSI24RPG
-----------------------------	--

Date _____
 Ref. _____

One-Way Ceiling Cassette 22SEER Inverter Heat Pump

System Full Set Model: **CYK012GMSI24RL**

AHRI Reference Number: **218010987**

Cooling Mode Performance

Rated Cooling	12,000 BTU/hr
Ambient Range	5~131°F
SEER2 Rating	22.1 BTU/W·h
EER2 Rating	12.3 BTU/W·h

* 100% Capacity @ Indoor DB 80°F / WB 67°F

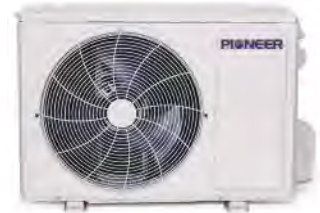
Heating Mode Performance

Rated Heating	12,000 BTU/hr
Ambient Range	-13~86°F
HSPF2 IV (V)	10.0 (7.8) BTU/W·h
COP2 (47°F)	3.4 W/W

Heating (17°F) = 8,600 BTU / Heating (5°F) = 8,600 BTU / COP2 (5°F) = 2.48 W/W



One-Way Cassette Indoor Unit



Outdoor Condensing Unit



User-Selected Installation Kit



Handheld Remote Controller

Electrical Information

	Cooling	Heating
Rated Input (W)	975	1,034
Rated Current (A)	4.4	4.7
Breaker Needed	15A (Double-Pole)	
Power Supply	208~230V, 60Hz, 1Ph	

Piping and Refrigerant

Liquid Line (OD)	1/4 in
Suction Line (OD)	3/8 in
Refrigerant Precharge	R-454b(Supports 10-50 ft.)
Max Length/Height Diff.	80 ft. / 50 ft.

This combination is Energy-Star certified.



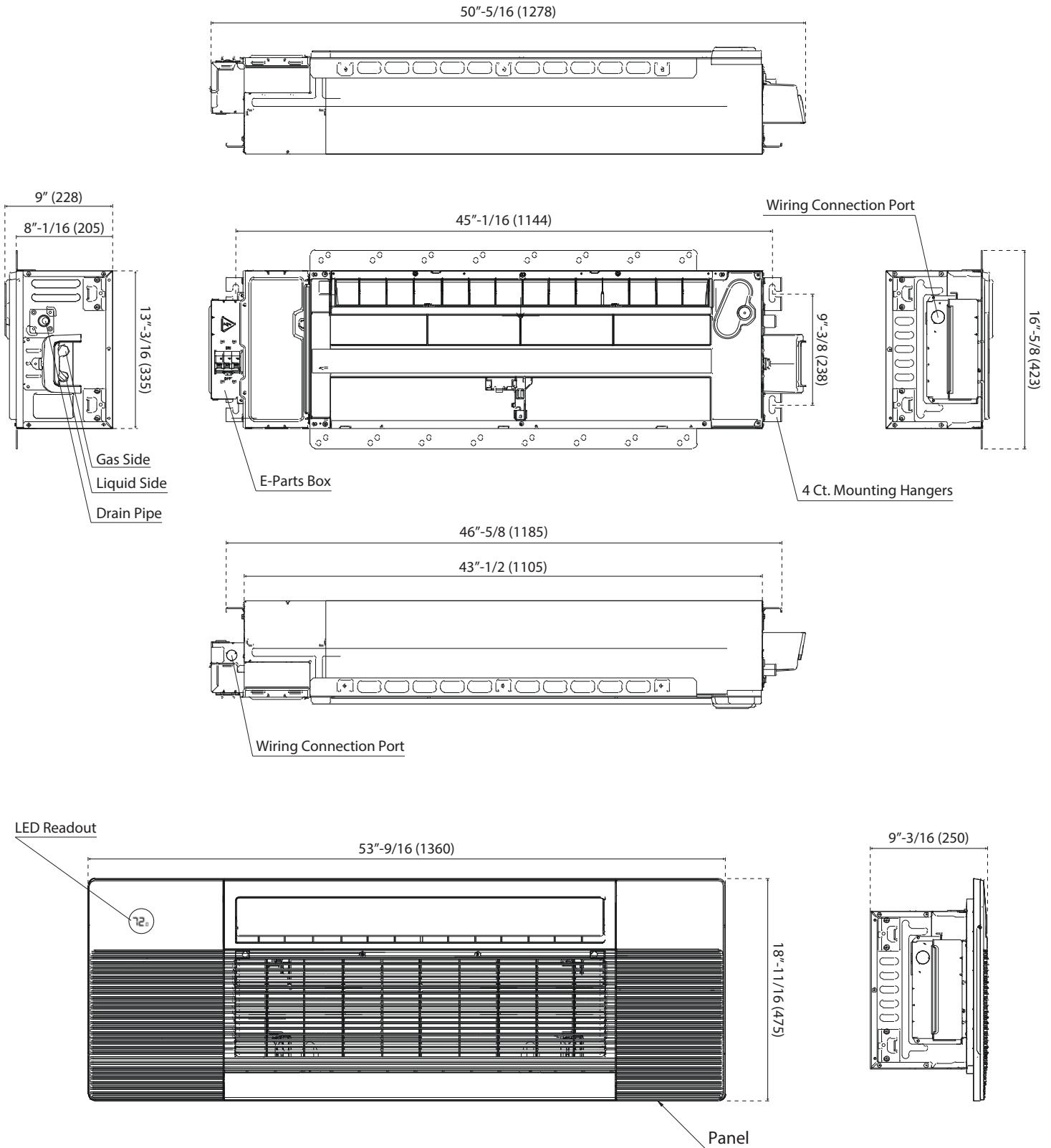
Interior Unit (Air Handler) Specifications

Type	Heat Pump
Sound Level (dBA)	47 (Turbo)/43 (Hi)/38 (Med)/26 (Lo)/22 (Mute)
Auto Air Circulation	1-Way Louver (Auto Up-Down Swing)
Dimensions (WDH)	50-3/8 in x 13-1/4 in x 10 in
Weight (lbs)	45

Exterior Unit (Condenser) Specifications

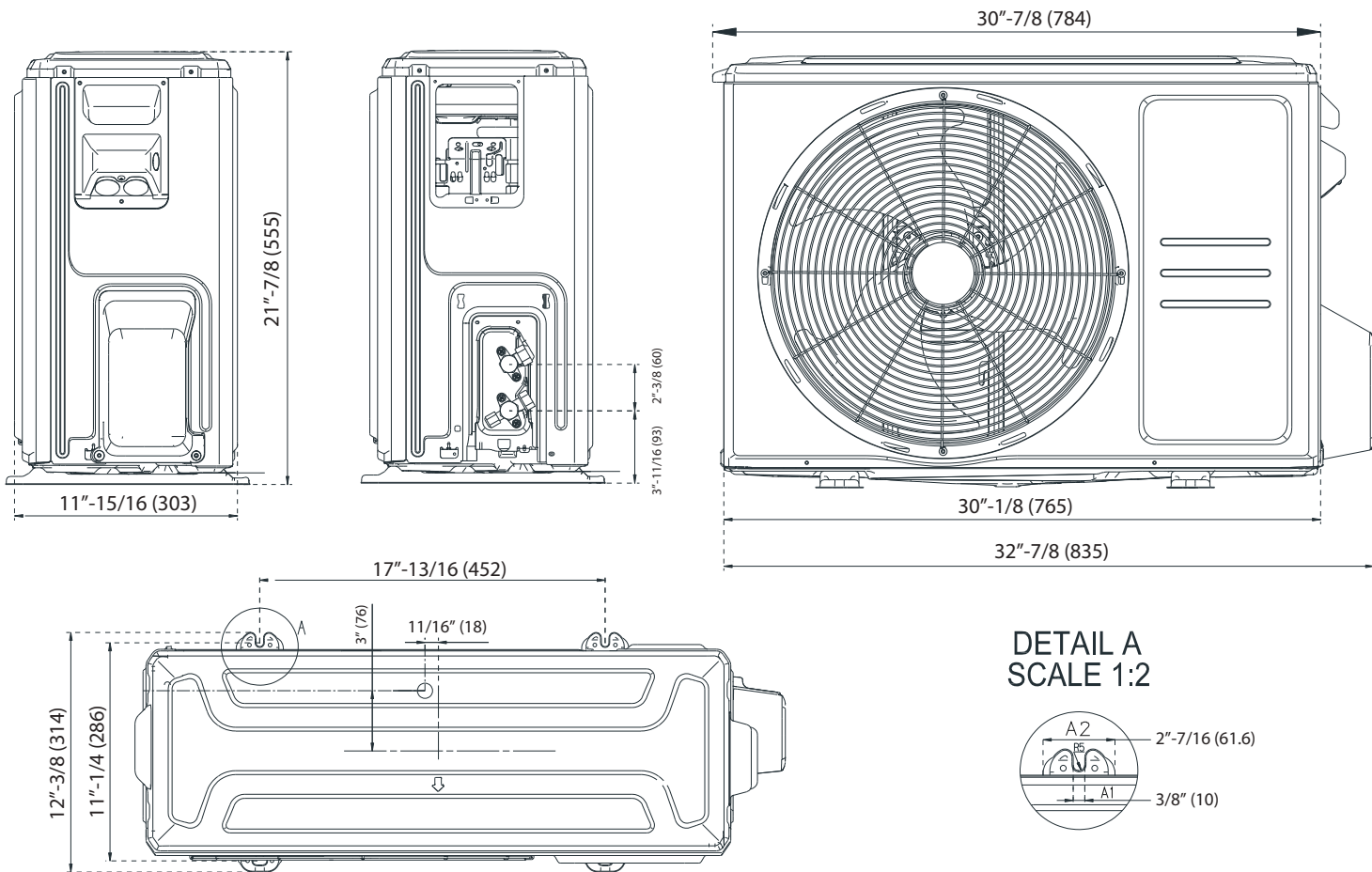
Sound Level (dBA)	54
Recommended Room Size	350~500 Sq. ft.
Minimum Room Size	37 Sq. ft.
Compressor	Inverter-Driven Rotary
Dimensions (WDH)	30-1/8 in x 12 in x 21-7/8 in
Weight (lbs)	62.1

CK012GMSILDFHG Air Handler Dimensional Data



All dimensions are in Inches (mm)

YN012GMSI24RPG Condenser Unit Dimensional Data



Warranty Information and Length



Complete warranty details are available with the vendor or online at <https://www.pdhvac.com/support/warranty/>. This high quality system is eligible for up to 10 years limited warranty on the compressor, and 7 years on other internal parts. To qualify for this warranty, the system must be installed within 90 days by a registered technician. All other installations that are registered default to 5 years parts/compressor. Products unregistered qualify for only 1 year parts/compressor warranty.

Outstanding Features

- LED Display
- Energy Saving
- Ultra-Thin Design
- Dual Drain Options
- Customizable Timer
- Eco-Friendly Refrigerant
- Whisper-Quiet Operation
- Power Loss Memory Recovery



Available Accessories

Part Number	Description
IKT-LCVR4P-KIT	Decorative PVC Line Cover Kit
IKT-LNBR-1/4-3/8	BendAid Flexible Easy Bender Kit
BRK-FRM-C-2P	Folding Mounting Bracket w/ Leveler
IKT-UVL32UL-AG	UVC Bacterial Disinfection Kit
IKT-SURPRK-DV2	Ultimate Surge and Power Protection