



DD36STI2 + #23991 (DCS)
 36" single Dishdrawer™ with DCS panel - PDS: \$2,169.00



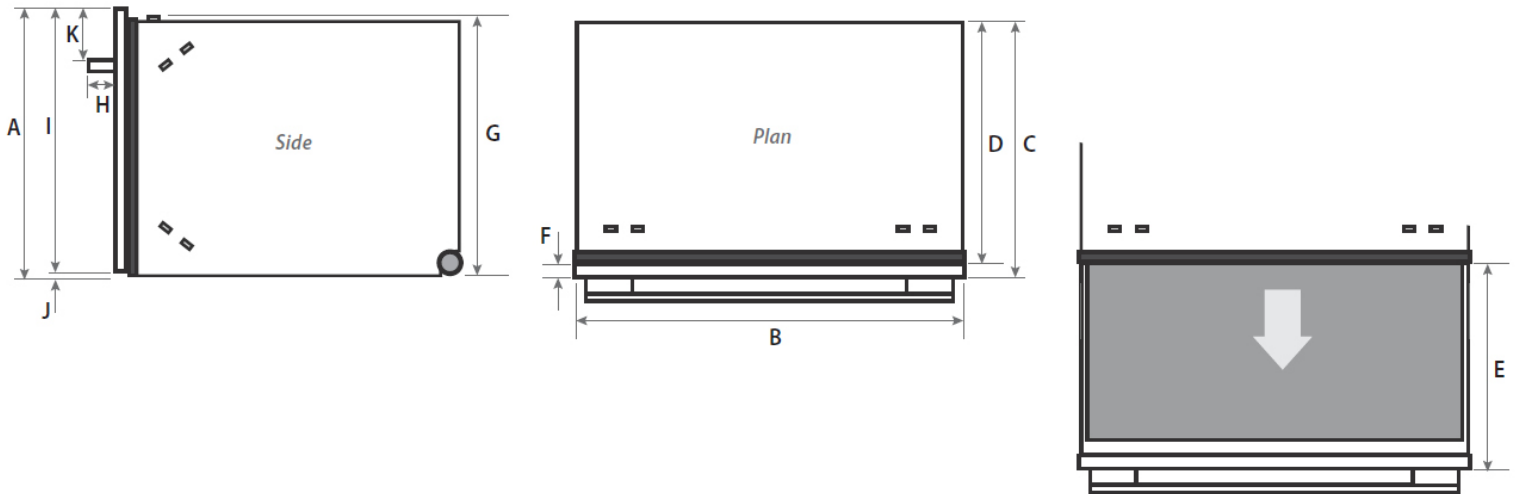
Features	
Place Settings	9
Tub	Carbon Polymer
Audible End-of-Cycle Signal	Yes
Control Type	Wireless Remote (included)
Rinse Aid Dispenser	With indicator
Wash System	
Automatic Temperature Control	Yes
Variable Water Pressure	Yes
Washing System	SmartDrive™
Eco options	Yes
Cycles	
Amount of washing programs	9
Exterior Appearance	
Color	Custom Panel Ready (not supplied)
Racking	
Support with Adjustable Storage Interval (near or distanced)	4
Flexible utility shelf system	4 - adjustable
Rack Coating	Nylon Colored Graphite
Maximum Plate Height	13"
DryIndex	
Heating Element	Multiple Wattage
Quiet Fan Dry	Yes
Economical / Quiet	
Energy Star Qualified	Yes
Direct Drive Motor	Yes
Water Consumption	As little as 3.7 gallons Fast Cycle: 2.8 gallons
Options	
Automatic Child Lock Once Started	Yes
Child Lock	Yes
Delay Start	Yes - Up to 12 hours
Start / Pause / Reset	Yes
Electrical Requirements	
Energy Consumption	ENERGY STAR 266 kWh per year
Volts; Hertz; Amps	120V / 60 Hz / 6.9 amp
Accessories (optional)	
DCS Stainless Steel Panel Door	#23991
Warranty	
1 Year full Warranty	Entire appliance; parts and labour, in-home service

Dimension of Optionnal Exterior Panel

#23991



Dimensions	
Height (in.)	18 ¾"
Width (in.)	35 ¼"
Depth (in.)	11/16"

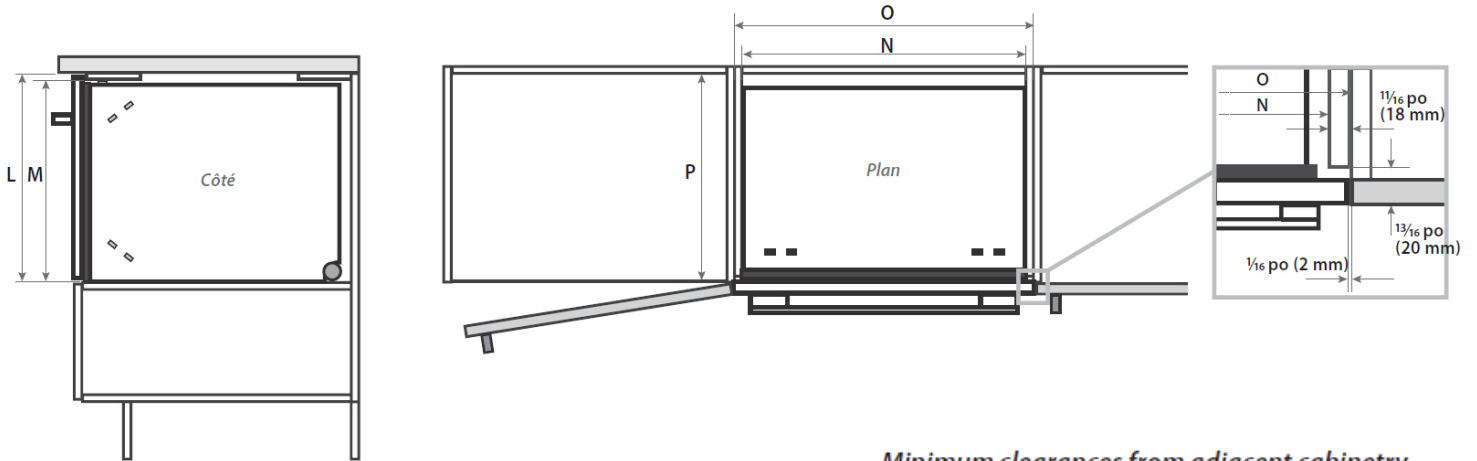
PRODUCT DIMENSIONS

Product dimensions inches (mm)

	Integrated DD36STI2
A overall height ¹ of product (incl. front panel height)	18 ¹³ / ₁₆ " (478) ³
B overall width of product	min. 33 ¹¹ / ₁₆ " (855)
C overall depth of product (excl. handle)	22 ¹ / ₂ " (571) ²
D depth of chassis (to back of front panel)	21 ³ / ₄ " (553)
E maximum extension of drawer (excl. handle)	21 ⁷ / ₁₆ " (545) ²
F depth of front panel (excl. handle)	⁵ / ₈ - ¹³ / ₁₆ " (16-20)
G height ¹ of chassis	18 ¹ / ₁₆ " (458)
H depth of handle	n/a
I height of front panel	18 ³ / ₄ " (476) ³
J height of ventilation gap below front panel	min. ¹ / ₁₆ " (2)
K height from top of handle to top of front panel	n/a

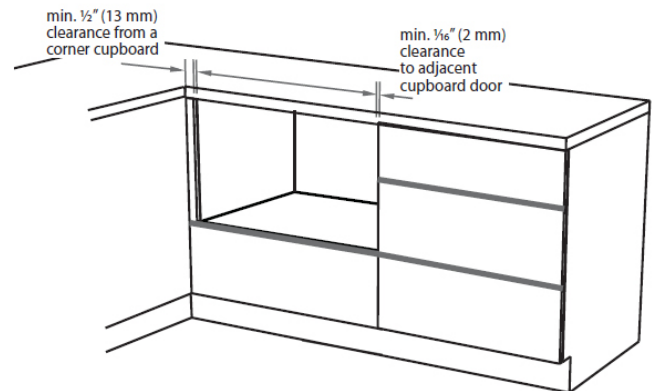
¹includes ¹/₁₆" (2 mm) high bracket slots ²Assuming panel thickness of ¹/₁₆" (18 mm)

³Recommended for a ¹/₁₆" (2 mm) ventilation gap below front panel, if cavity height is 18 ³/₁₆" (480 mm)

CABINETRY DIMENSIONS



Minimum clearances from adjacent cabinetry

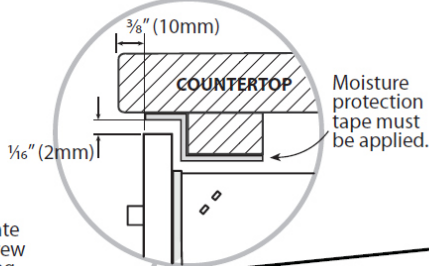


Integrated
DD36STI2

L	height of cavity (from support surface to underside of countertop)	18 7/8" (480)*
M	inside height of cavity	min. 18 1/8" (460)
N	inside width of cavity	34" (864)
O	overall width of cabinetry	35 7/16" (900)
P	inside depth of cavity	min. 22 1/16" (560)
* Recommended		

The information contained herein is based on sources that we believe to be reliable, but is not guaranteed by us, may be incomplete or may change without notice

CAVITY PREPARATION



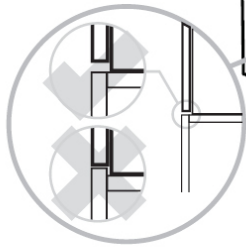
Moisture protection tape must be applied.

Important!
The power outlet must be located in a cabinet adjacent to the dishwasher cavity.
110-120 VAC max. 15 A

These marks indicate formed bracket screw locations, if securing by drawer removal.

If there is no side partition, you can construct timber bracing as something to secure into.

Important!
Adjacent cabinetry must not extend above cavity base



Services can be located either side of the dishwasher.

Ø max. 1 1/2" (38 mm)

max. 5 7/8" (150 mm)

Services hole
Can be located either side of dishwasher, preferably at the bottom of the cavity, as shown. If adequate clearance, services hole can be made higher to clear toe-kick space. If hole is higher, ensure drain hose(s) are routed straight into the waste connection.

- If the hole is through wood, make sure its edges are smooth and rounded.
- If the hole is through metal, ensure you fit the supplied Edge Protector to prevent damage to the power cord.

Water Connection

Recommended HOT (Maximum 140°F/60°C).
Supplied hose to suit 3/8" (9 mm) male compression fitting.

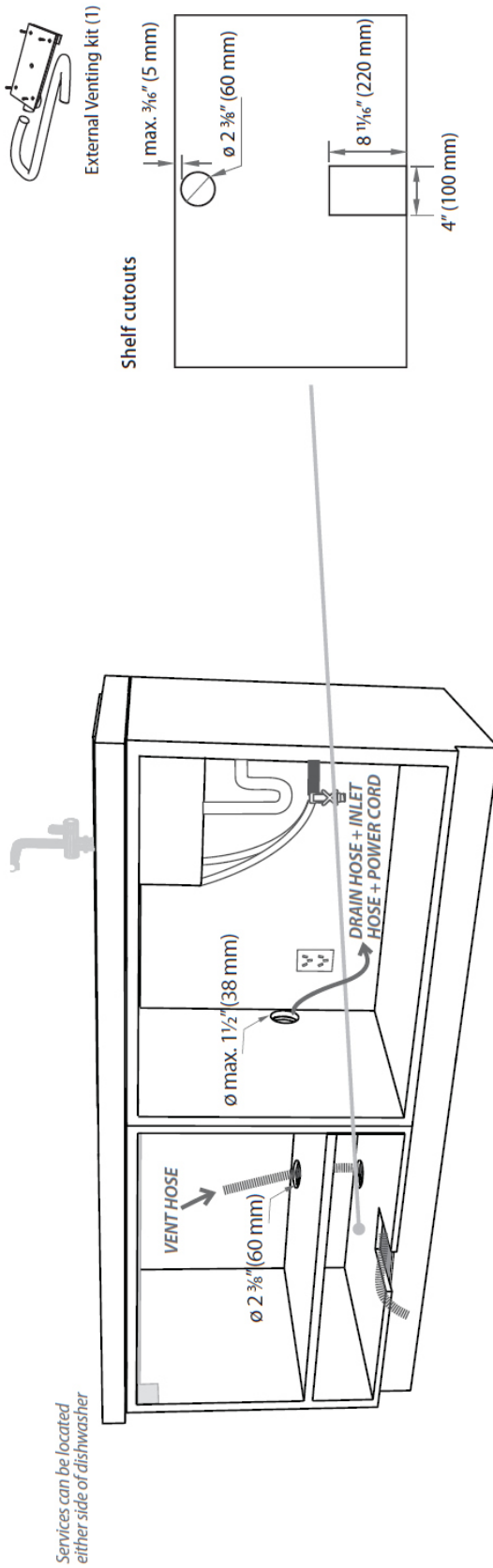
Water Pressure

Water softener models
Max. 1 MPa (145 psi)
Min. 0.1 MPa (14.5 psi)

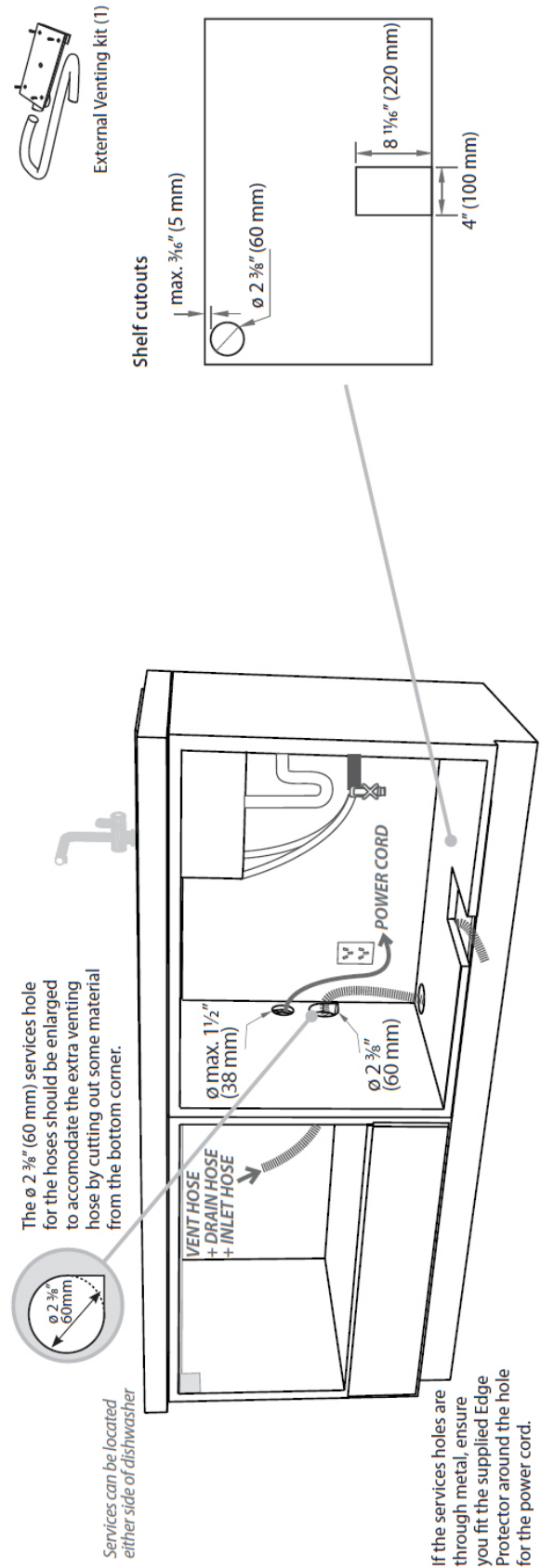
Models without water softener
Max. 1 MPa (145 psi)
Min. 0.03 MPa (4.3 psi)

min. 7 7/8" (200 mm)

INTEGRATED MODELS ONLY - PREPARATION FOR EXTERNAL VENTING THROUGH SAME CABINET

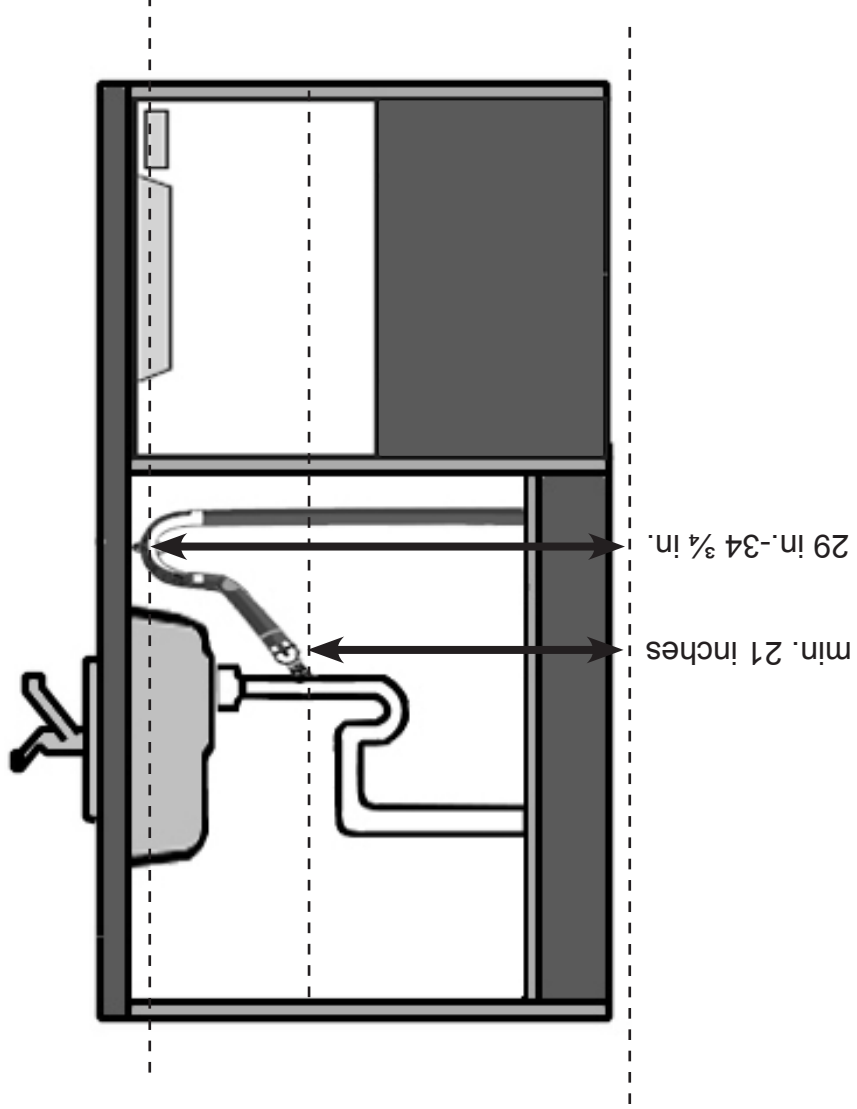


INTEGRATED MODELS ONLY - PREPARATION FOR EXTERNAL VENTING THROUGH ADJACENT CABINET



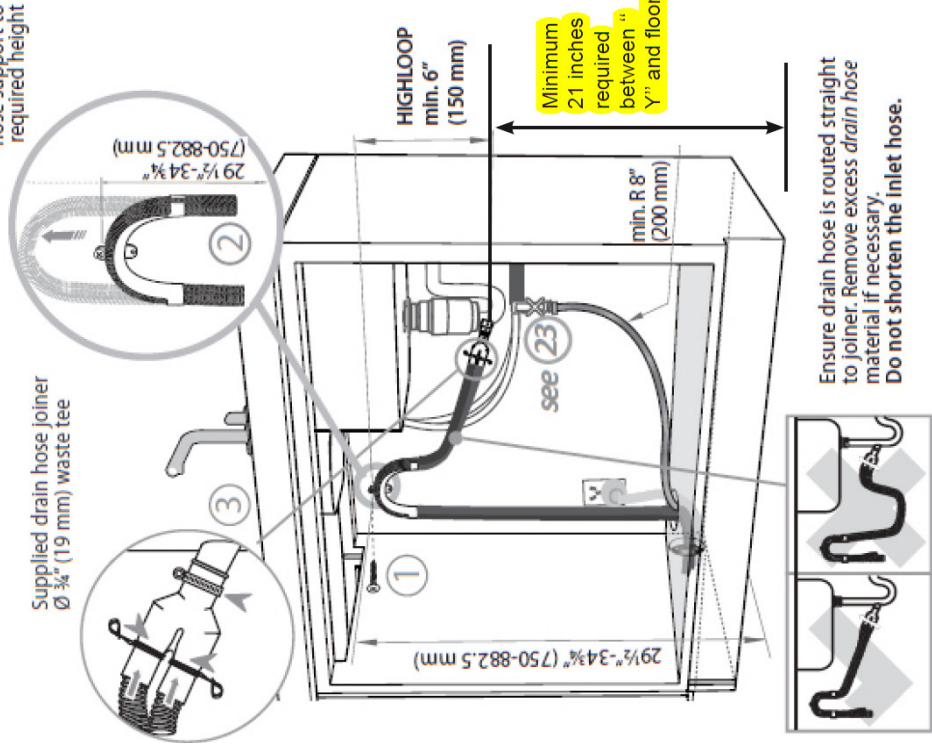
IMPORTANT!

Minimum distance from the ground to provide for connecting the drain hose



Dishwasher using sink trap with drain hose joiner

If space is limited for fixing, push hose through drain hose support to required height



Ensure drain hose is routed straight to joiner. Remove excess drain hose material if necessary. Do not shorten the inlet hose.

Please note: These instructions are complementary to your installation guide. Please refer installation guide given with your appliance in order to get all required instructions.

Important! Ensure that drain connection will comply with local plumbing regulations.