

PEDESTAL

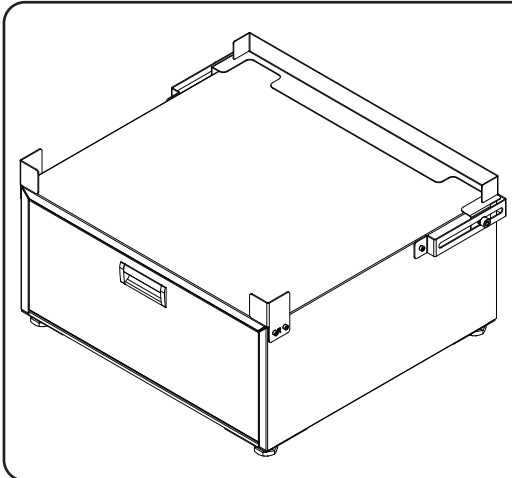
(For 24" Combos, Washers & Dryers)

APPLIANCE **DESK**

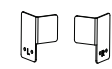
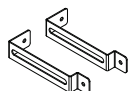





Part# PDL 6000



Check that all accessory parts are included.
If any parts are missing, contact your dealer.

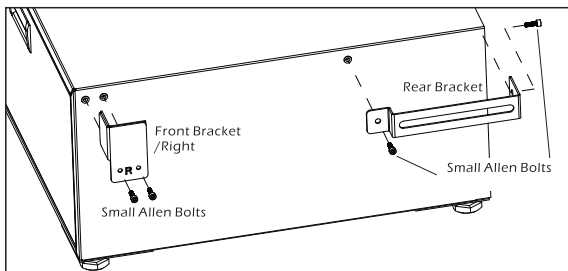


CONTENTS

Front Brackets	Rear Brackets	
		
2 Small Brackets-Left/Right	2 Long Brackets -Left/Right	1 Long Lever
		
Small Allen Key	Large Allen Key	2 Large Allen Bolts
		
8 Small Allen Bolts		

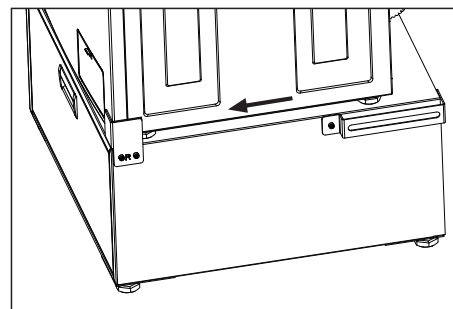
To ensure safe and secure installation, please observe the instructions below.

Installation Instructions



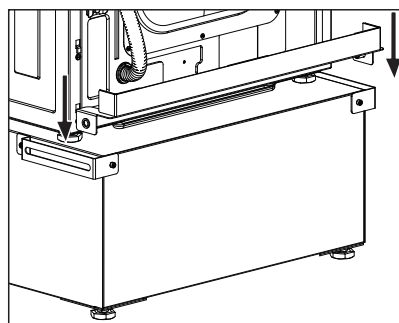
STEP 1: Right-side brackets

Attach the front bracket (right) and a rear bracket to the right side of the pedestal using the Small Allen bolts with Small Allen key.



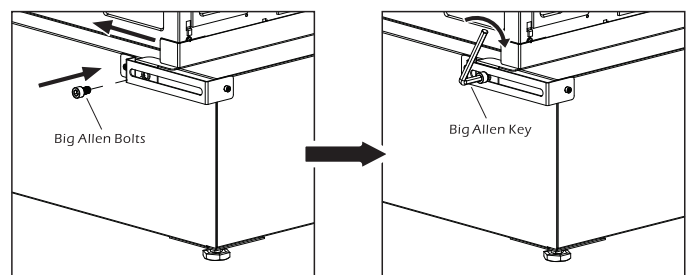
STEP 2: Place machine - Left-side brackets

- Place the machine onto the pedestal.
- Attach the front bracket (left) and the other rear bracket to the left side of the pedestal using the Small Allen bolts with Small Allen key.



STEP 3: Rear lever A

Insert the rear lever between the pedestal and 2 rear brackets.



STEP 4: Rear lever B

- Secure the rear lever firmly to the rear of the machine.
- Fasten both sides of the rear lever with 2 Large Allen Bolts using Large Allen Key.

Appliance Desk Inc.

5006 Steffani Lane, Houston, Texas, 77041, USA.
Tel: 800-490-8018 Web: www.ApplianceDesk.com