

**SIMPLI™**  
**H O M E**

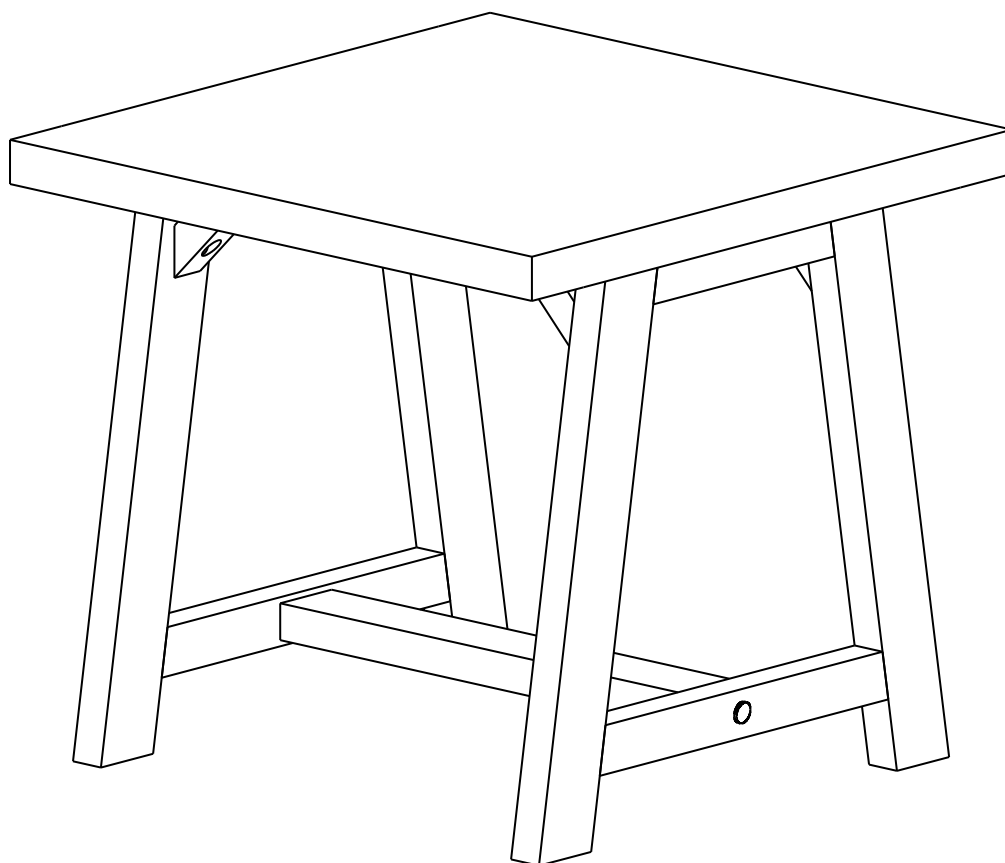
*Wyndent Hall™*  
HOME DECOR  
brooklyn + max™

**SAWHORSE / HAWKINS / SPOKANE**

---

**END / SIDE TABLE**

MODEL # 3AXCSAW-02





**FOR REPLACEMENT PARTS OR HELP WITH  
ASSEMBLY PLEASE CONTACT US AT:**

**[simpli-home.com/customer-support](https://simpli-home.com/customer-support)**

**PLEASE ENSURE TO HAVE THE MODEL #  
FROM THE PACKAGING OR INSTRUCTION BOOKLET**

**TO RETURN THE PRODUCT:  
PLEASE CONTACT THE RETAILER  
WHERE THE ITEM WAS PURCHASED FROM**

**SIMPLI**<sup>™</sup>  
**H O M E**

Wyndent Hall<sup>™</sup>  
HOME DECOR  
brooklyn + max<sup>™</sup>

**ENTER  
TO WIN**

**Upload an image of our furniture  
in your home with a short review  
to our facebook page for a chance to**

**Win up to \$3000 of  
Simpli Home furniture!!!**

[www.facebook.com/simplihomefurnishings](http://www.facebook.com/simplihomefurnishings)



**IMPORTANT** : Please read this manual carefully before beginning assembly of this product. Keep this manual for future reference.

## **SAFETY INFORMATION**

Identify all the parts and hardware. Do not discard of the packaging until you have checked that you have all of the parts and hardware required. Hardware package may have spare parts.

**WARNING:** This item contains small parts which can be swallowed by children and pets. Keep children and pets away during assembly. To avoid danger of suffocation, always keep plastic bags away from children and pets. We recommend that you assemble this unit on a carpeted floor to avoid scratches. If using power tools, set the tool to low torque to avoid damage.

**May require 2 people for ease of assembly.**

## **CARE and MAINTENANCE**

To clean, use a soft or slightly damp cloth, then wipe with a clean, dry cloth. Dust with soft dry cloth.

Do not use ammonia-based cleaning products, as they will damage the finish.

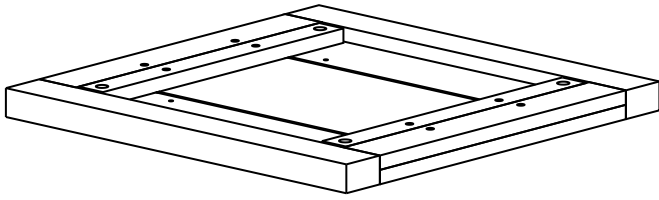
Do not leave liquids or damp cloths on this furniture.

To avoid dulling of the finish, do not place furniture in direct sunlight.

Please inspect and tighten all screws or bolts on a regular basis to ensure proper performance and safety of your item.

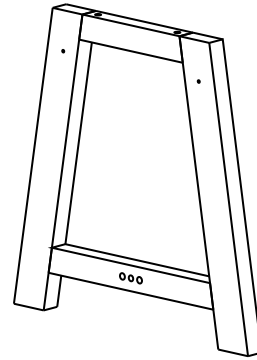
**PARTS DESCRIPTION**

**A**



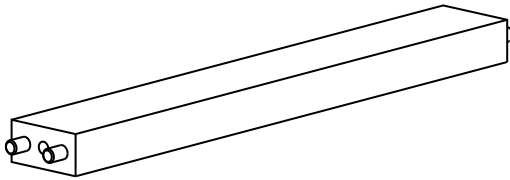
TOP  
QTY 1

**B**



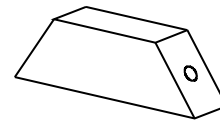
LEG  
QTY 2

**C**



LEG LOWER CONNECTOR  
QTY 1

**D**

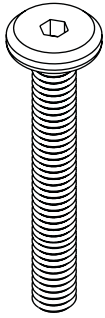


LEG SUPPORTER  
QTY 4

**NEED HELP?** For help with assembly or if you are missing a part,  
Please call customer service at 1-866-518-0120 ext. 262 (9 am to 4 pm EST)

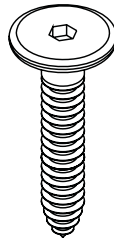
HARDWARE DESCRIPTION

1



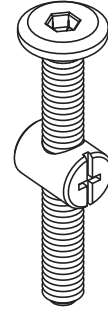
ALLEN KEY SCREW  
M6 X 50 mm  
QTY 4

2



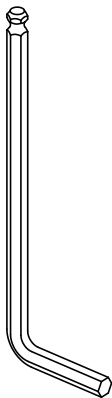
ALLEN KEY SCREW  
M6 X 30 mm  
QTY 8

3



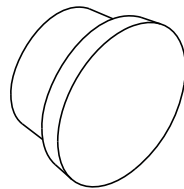
ALLEN KEY BOLT & CROSS NUT  
M6 X 50 mm  
QTY 2 SETS

4

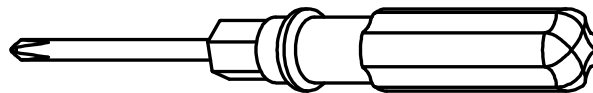


ALLEN KEY  
QTY 1

5

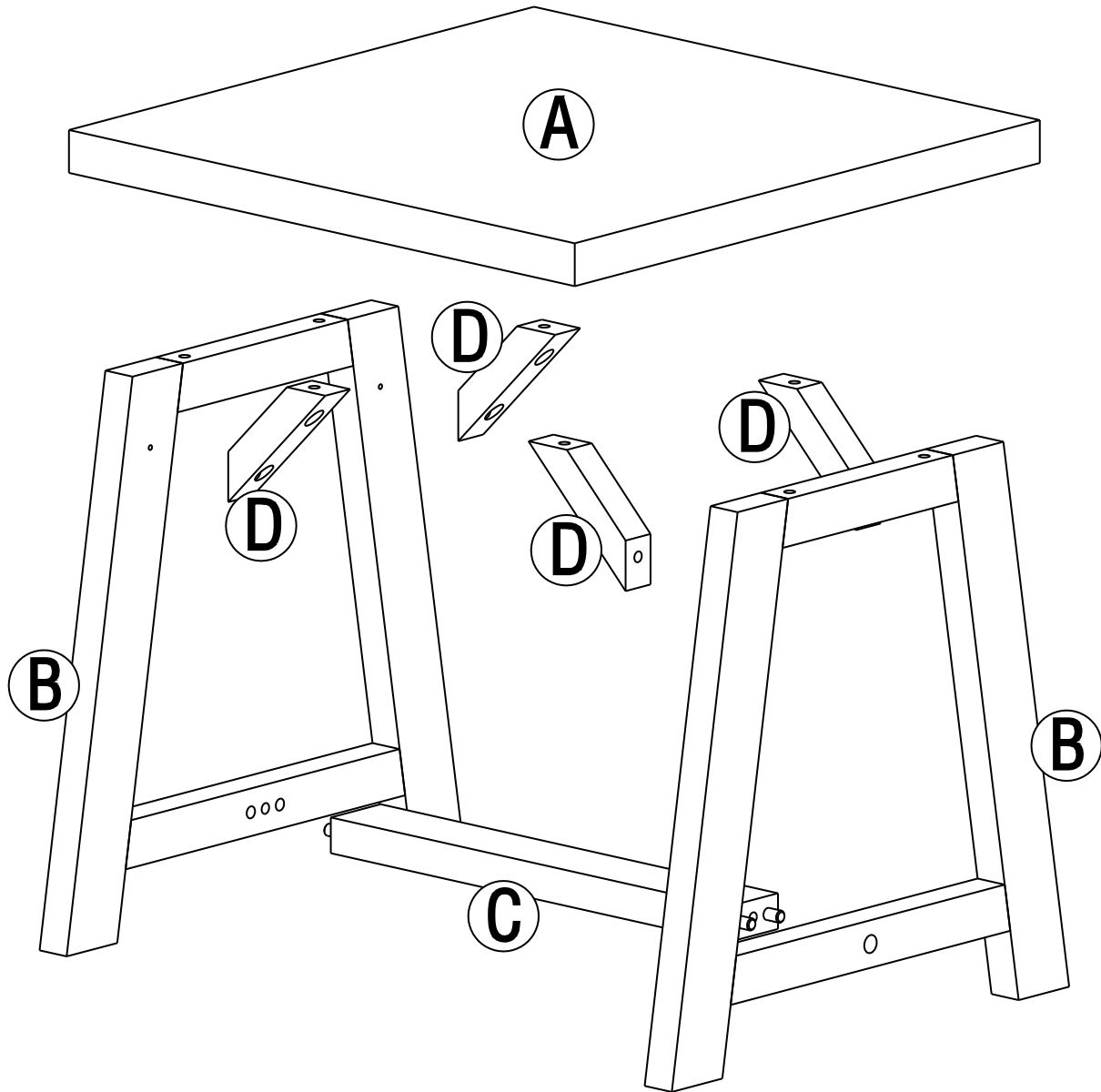


WOOD BOLT CAP  
QTY 2

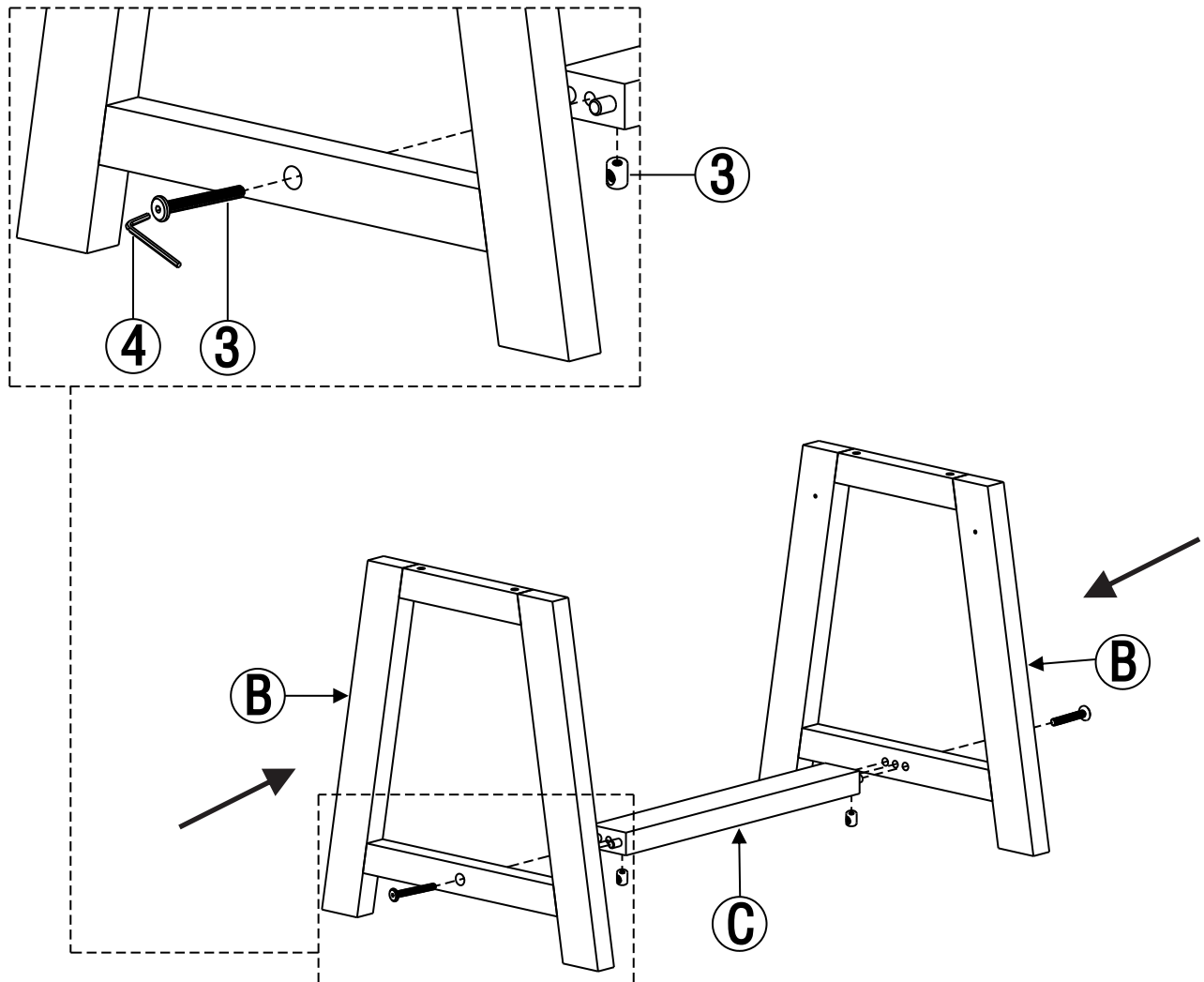


Required -  
Phillips screwdriver  
**Not Included**

**NEED HELP?** For help with assembly or if you are missing a part,  
Please call customer service at 1-866-518-0120 ext. 262 (9 am to 4 pm EST)

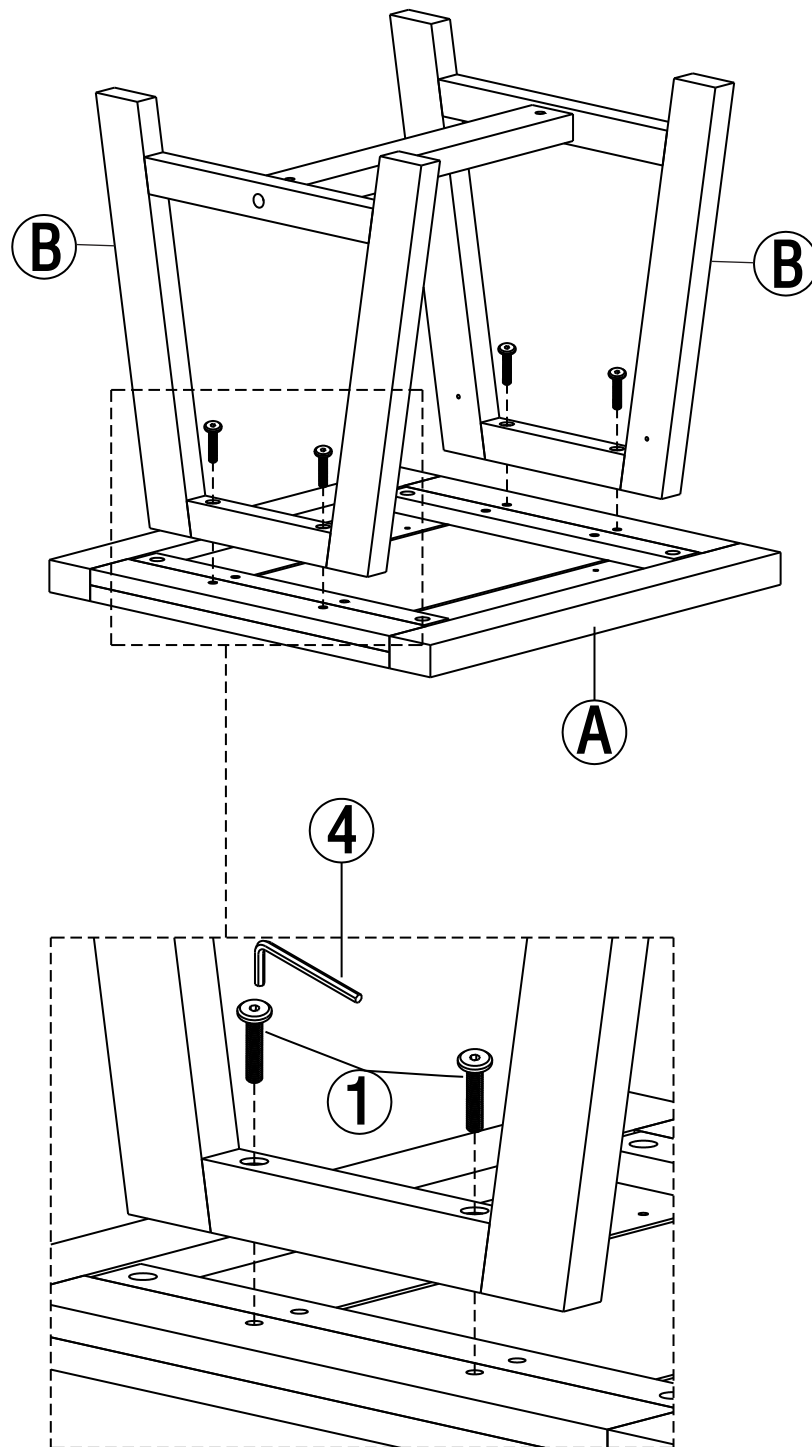


## STEP 1



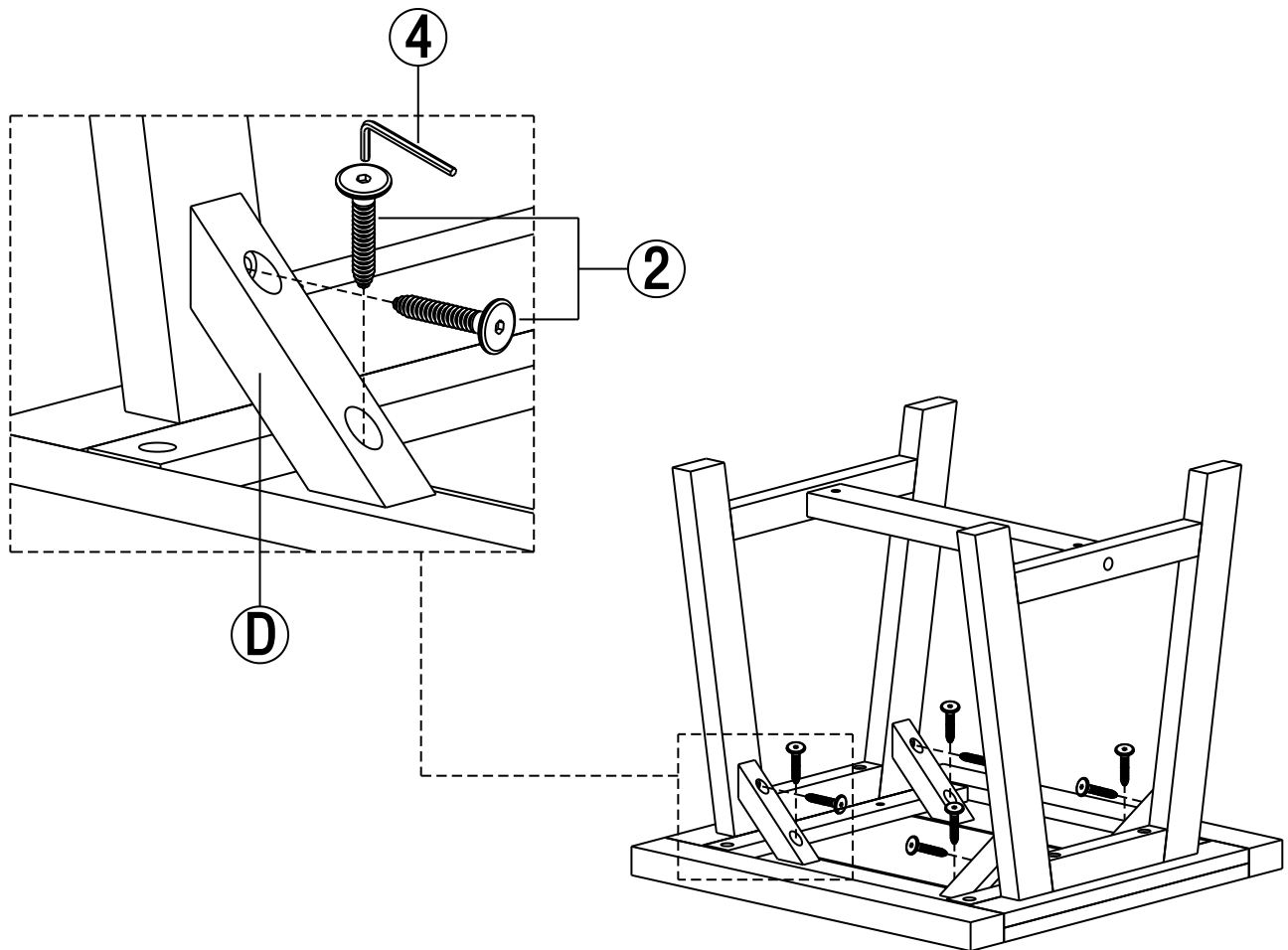
1. Align two pre-drilled holes on each Leg (B) with two Dowels on each side of Leg Lower Connector (C).
2. Insert Cross Nuts (3) into pre-drilled holes in Leg Lower Connector (C) with the slot facing out. Use a flathead Screwdriver to turn it to align with the Bolts (3). Repeat on the opposite side.
3. Use Allen Key (4) to tighten Bolts.

## STEP 2



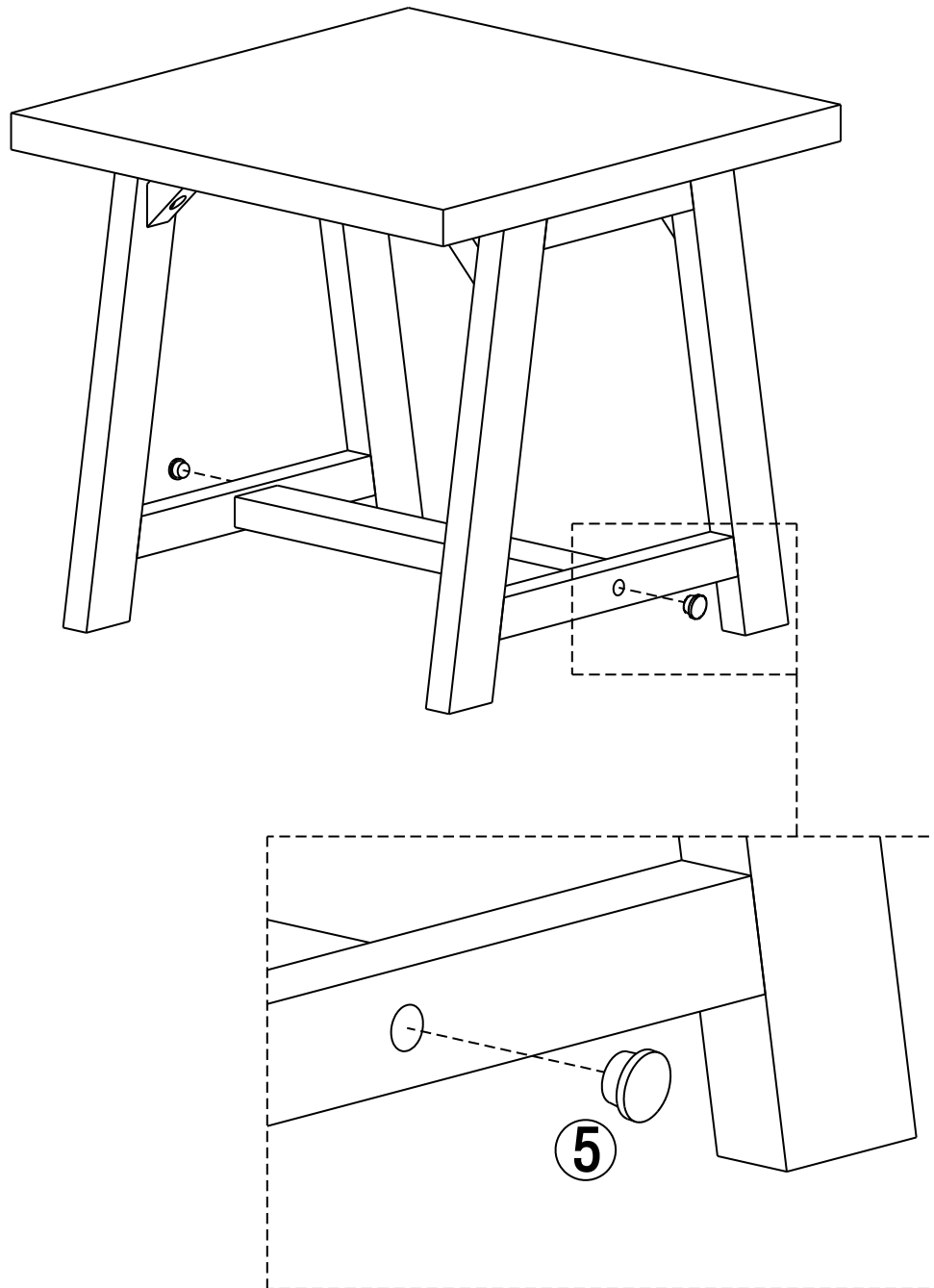
1. Attach Top (A) to Legs (B) using four Allen Key Bolts (1).
2. Use Allen Key (4) to tighten screws. Do not over-tighten.

## STEP 3



1. Attach Leg Supporter (D) to between corner Legs and Top (A) at specified location using two Allen Key Screws (2).
2. Use Allen Key (4) to tighten screws. Do not over-tighten.
3. Repeat on the opposite legs.

## STEP 4



1. Insert two Wood Bolt Caps (5) into exposed bolt holes on Legs (B).



## WARRANTY

Thank you for purchasing a **Simpli Home – Wyndenhall – Brooklyn + Max** product. These products have been made to demanding, high-quality standards and are guaranteed for domestic use against manufacturing faults for a period of 12 months from the date of purchase. This warranty does not affect your statutory rights.

In case of any malfunction of your product (failure, missing parts, etc.) please contact us at our toll free service line at 1-866-518-0120 ext. 262 from 9 am to 4 pm, Monday to Friday, Eastern Standard Time or by email at [simpli-home.com/customer-support](mailto:simpli-home.com/customer-support).

We reserve the right to repair or replace the defective product, at its discretion.

This product is guaranteed for 12 months if used for normal purposes. Any warranty is invalid if the product has been overloaded or subject to neglect, improper use or an attempted repair by other than an authorized agent. Heavy-duty or daily professional/commercial usage are not guaranteed.

Due to continuous product improvement, we reserve the right to change the product specifications without prior notice.



**Question, problems, missing parts?**

**Before returning your product**  
please email Customer Support at  
[simpli-home.com/customer-support](mailto:simpli-home.com/customer-support)

or call

Customer Support at 1-866-518-0120 ext. 262  
Monday to Friday between 9 am – 4 pm EST

For more information visit us on our website  
[www.simpli-home.com](http://www.simpli-home.com)

Like us on facebook  
[www.facebook.com/simplihomefurnishings](http://www.facebook.com/simplihomefurnishings)