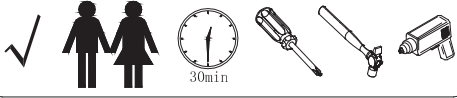


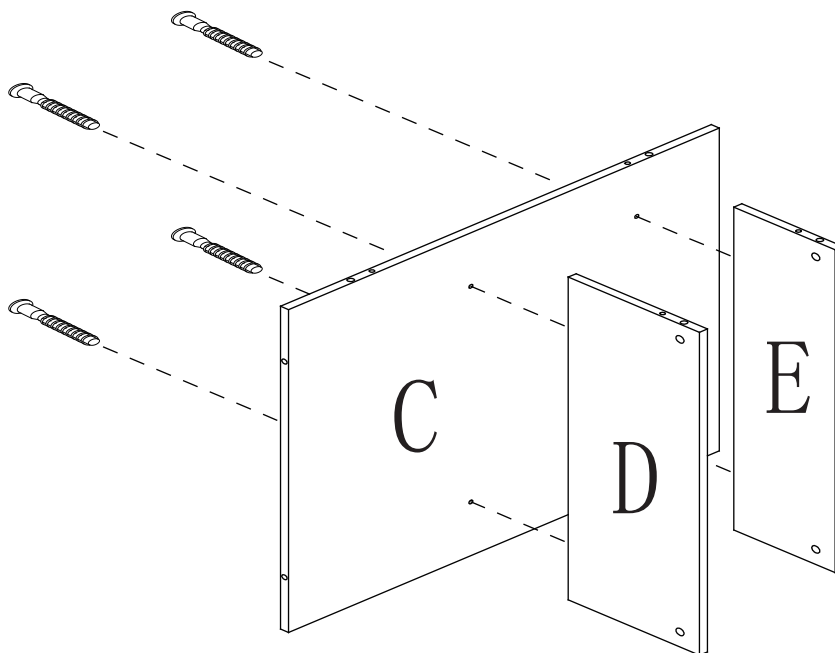
Assembly Instructions



Components							
	A*1	B*1	C*1	D*1			
Hardware							
	E*1	F*1	G*1	H*2	I*4		
Hardware							
	a*12	b*20	c*20	d*14	e*8	f*4	g*1
Hardware							
	h*1	i*1	j*1	k*1			

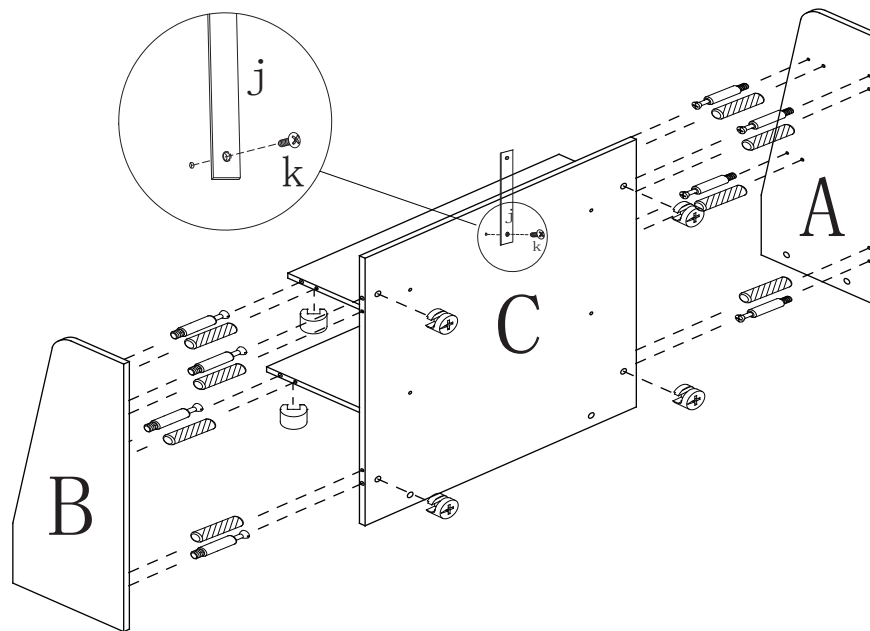
Total Weight Capacity 30 lbs

1



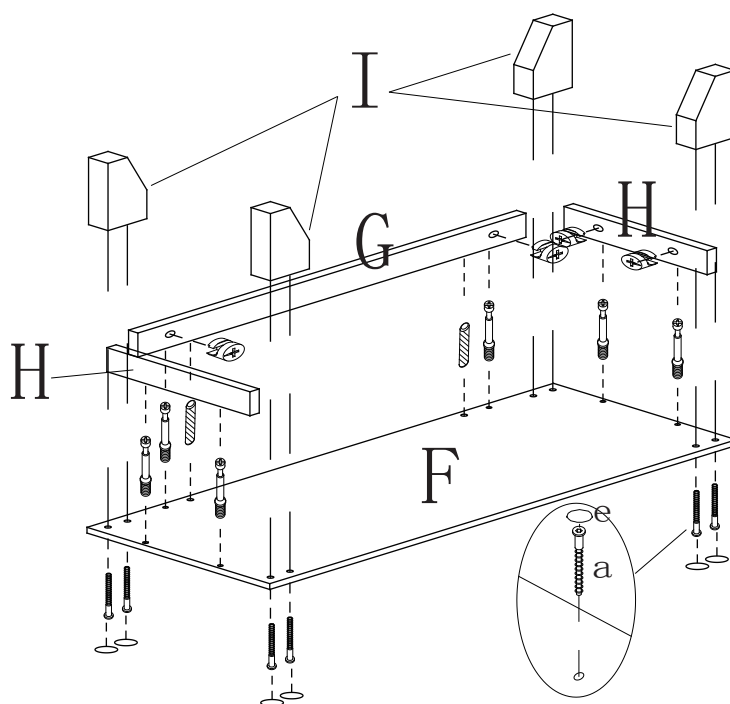
a*4

2



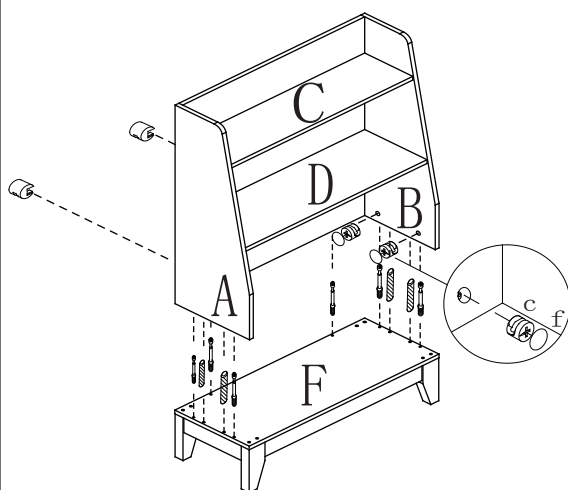
b*8 j*1
c*8 k*1
d*8

3

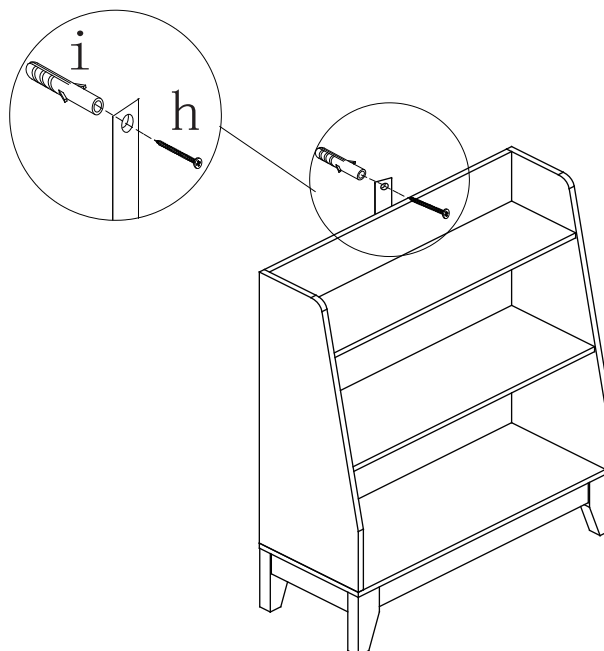


a*8 d*2
b*6 e*8
c*6

4



b*6
c*6
d*4
f*4



h*1
i*1