

PCAM-FFT14



## 3rd Brake Light Camera for Fullsize Ford Transit (2014-18) User Manual



## Introduction

Thank you for purchasing your EchoMaster Pro automotive camera.

The following part numbers are supported:

- ▶ PCAM-FFT14-P
- ▶ PCAM-FFT14-N

EchoMaster cameras are designed to improve safety during driving by providing high quality images of surrounding areas and obstacles in the vicinity of the vehicle. They will also improve vehicle maneuvering capability by displaying blind spots not normally visible to the driver.

Please ensure you read and understand all aspects of this manual before fitting or using your EchoMaster Camera. Choose a suitable mounting place dependent on the application. Ensure that there are no wiring harnesses or hoses/pipes located behind this panel before drilling.

## Key Features

- ▶ 1/3" CMOS Sensor
- ▶ Operates at 0.1 LUX minimum, 0 LUX with IR night vision
- ▶ IP68 Rated
- ▶ 170 Degree Viewing Angle

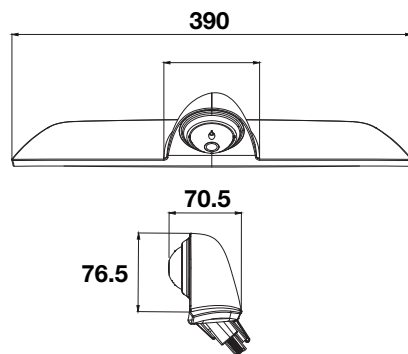
## Specifications

	PCAM-FFT14-P   PCAM-FFT14-N	
Sensor Type	1/3" CMOS	
LEDs	6	
Illumination	0.1 LUX minimum, 0 LUX with IR night vision	
Viewing Angle	170 degrees	
Mirror Image	Yes	
Normal View	No	
Water/Debris-Proof	IP68	
Audio	Yes	
Power Supply	9-16V DC	
Current	<150mA	
Working Temperature	-30°C - +70°C	
Dimensions (mm)	D (76.5) x W (390) x H (70.5)	
System	PAL	NTSC
TV Lines	580	580
Resolution	762 x 504	762 x 504

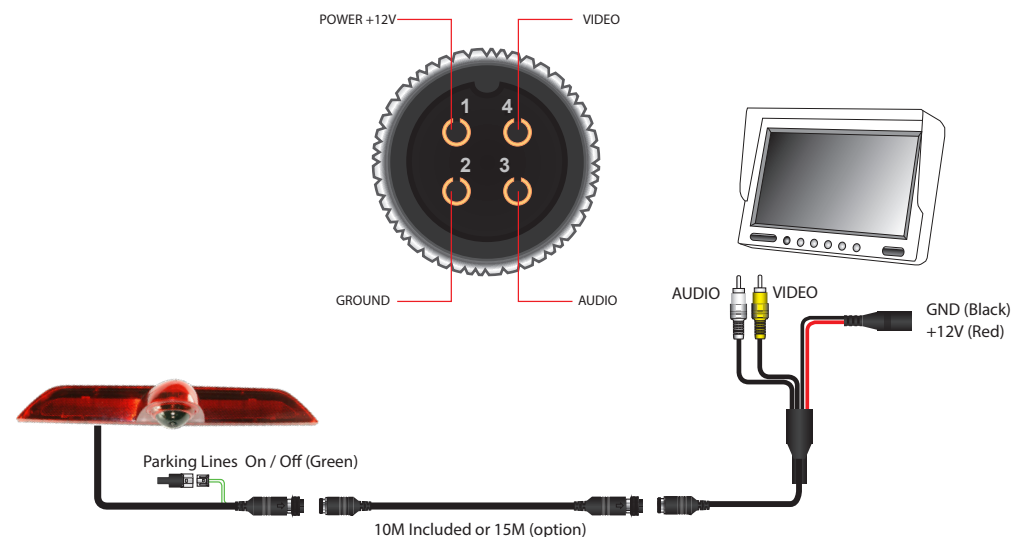
## Box Contents

- ▶ Camera
- ▶ User Manual
- ▶ Wiring Harness

## Dimensions (mm)



## Wiring Diagram & Pin Out



EchoMaster is a Power Brand of AAMP Global  
EchoMaster.com



15600 Lightwave Drive, Suite 202  
Clearwater, Florida 33760  
email - support@aampglobal.com (US)  
email - technical.eu@aampglobal.com (Europe)

