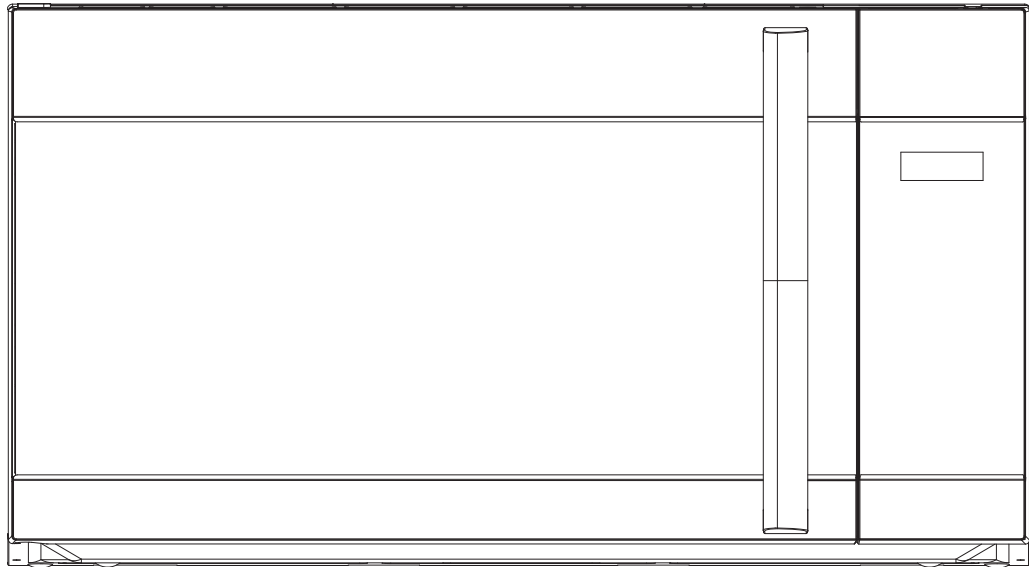


INSIGNIA™

1.7 Cu. Ft. Over-the-Range Microwave

NS-OTR17SS27/NS-OTR17WH27



Contents

Introduction	3
BEFORE YOU BEGIN	3
Important Safety Instructions	3
ELECTRICAL REQUIREMENTS	3
Package Contents	4
Installation parts	4
Installation hardware	4
Mounting templates	4
Documents	4
What you need to know before starting	4
Before you install	6
Tools and materials needed	6
Mounting requirements	7
Exhaust requirements	8
Unpacking your microwave	10
Installing your microwave	11
Step 1: Find the wall studs	11
Step 2: Align the rear wall template and the wall plate	12
Step 3: Select a ventilation type	15
Step 4: Option A (recirculating) - Attach the mounting plate to the wall	16
Step 5: Option A (recirculating) - Prepare the top cabinet	18
Step 6: Option A (recirculating) - Check the blower plate	19
Step 7: Option A (recirculating) - Mount the microwave	20
Step 8: Option A (recirculating) - Installing or changing the charcoal filter	22
Step 4: Option B (outside back exhaust) - Cutting a vent opening	24
Step 5: Option B (outside back exhaust) - Attach the mounting plate to the wall	25
Step 6: Option B (outside back exhaust) - Prepare the top cabinet	27
Step 7: Option B (outside back exhaust) - Adapt the microwave blower for outside back exhaust	29
Step 8: Option B (outside back exhaust) - Mount the microwave	32
Step 4: Option C (outside top exhaust) - Attach the mounting plate to the wall	34
Step 5: Option C (outside top exhaust) - Prepare the top cabinet	36
Step 6: Option C (outside top exhaust) - Insert the exhaust adapter	38
Step 7: Option C (outside top exhaust) - Mount the microwave	40
Step 8: Option C (outside top exhaust) - Connecting ductwork	42
Before using your microwave	43
Template dimensions	43
Obtaining replacement parts	44
Specifications	44
ONE-YEAR LIMITED WARRANTY	45

Introduction

Congratulations on your purchase of a high-quality Insignia product. Your NS-OTR17SS27/NS-OTR17WH27 represents the state of the art in microwave design and is designed for reliable and trouble-free performance. This installation guide will show you how to install your new over-the-range microwave.

BEFORE YOU BEGIN

Read these instructions completely and carefully.

- **IMPORTANT** – Save these instructions for local inspector's use.
- **IMPORTANT** – Observe all governing codes and ordinances.
- **Note to Installer** – Be sure to leave these instructions with the consumer.
- **Note to Consumer** – Keep these instructions for future reference.
- **Skill level** – Installation of this appliance requires basic mechanical and electrical skills.
- **Proper installation** is the responsibility of the installer.
- **Product failure** due to improper installation is not covered under the Warranty.

Important Safety Instructions

Read all instructions before use.

Keep these instructions.

IMPORTANT—PLEASE READ CAREFULLY. FOR PERSONAL SAFETY, THIS APPLIANCE MUST BE PROPERLY GROUNDED TO AVOID SEVERE OR FATAL SHOCK.

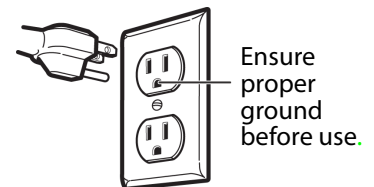
This product requires a three-prong, properly grounded outlet for safe operation. If not properly grounded, or if the outlet box does not meet electrical requirements noted (under **ELECTRICAL REQUIREMENTS**), a qualified electrician should be employed to correct any deficiencies.

The power cord of this appliance is equipped with a three-prong (grounding) plug which mates with a standard three-prong (grounding) wall receptacle to minimize the possibility of electric shock.

You should have the wall receptacle and circuit checked by a qualified electrician to make sure that the receptacle is properly grounded.

Where a standard two-prong wall receptacle is encountered, it is very important to have it replaced with a properly grounded three-prong wall receptacle installed by a qualified electrician.

DO NOT, UNDER ANY CIRCUMSTANCES, CUT, DEFORM, OR REMOVE ANY OF THE PRONGS FROM THE POWER CORD. DO NOT USE WITH AN EXTENSION CORD.



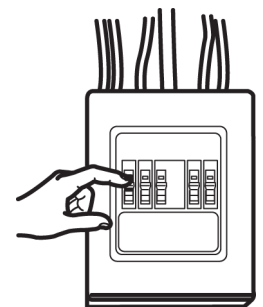
Note: For easier installation and personal safety, we recommend that two people install this product because of the weight. We highly recommend professional installation if any electrical or carpentry work is required.

CAUTION

For personal safety, remove the house fuse or open the circuit breaker before beginning installation to avoid severe or fatal shock injury.

For personal safety, the mounting surface must be capable of supporting the cabinet load, in addition to the added weight of this 63 ~ 85 lbs. (28.6 ~ 38.6 kg) product, plus additional oven loads of up to 50 lbs. (22.7 kg) for a total weight of 113 ~ 135 lbs. (51.3 ~ 61.2 kg).

For personal safety, this product cannot be installed in cabinet arrangements such as an island or a peninsula. It must be mounted to BOTH a top cabinet AND a wall.



ELECTRICAL REQUIREMENTS

The product rating of your microwave is 120 V AC, 60 Hertz, 15 amps, and 1.6 kilowatts. This product must be connected to a supply circuit of the proper voltage and frequency. Wire size must conform to the requirements of the National Electrical Code or the prevailing local code for this kilowatt rating. The power supply cord and plug should be brought to a separate 15 ~ 20 amps branch circuit single grounded outlet. The outlet box should be located in the cabinet above the microwave oven. The outlet box and supply circuit should be installed by a qualified electrician and conform to the National Electrical Code or the prevailing local code.

Damage during shipping or installation

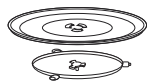
- If your microwave oven is damaged in shipment, return it to the store in which it was bought for repair or replacement.
- If your microwave oven is damaged by the customer, repair, or replacement is your responsibility.
- If your microwave oven is damaged by the installer (if other than the customer), repair or replacement must be made by arrangement between the customer and the installer.

Package Contents

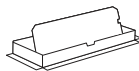
- 1.7 cu. ft. over-the-range microwave
- Glass turntable (with ring)
- Installation parts
- Installation hardware
- Mounting templates (2)
- Mounting plate (attached to the microwave)
- *Installation Guide*
- *User Guide*

Installation parts

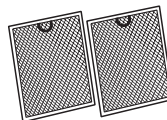
Make sure that you have all the parts necessary to install your new microwave.



Glass turntable and
Turntable ring


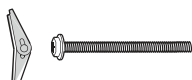




Exhaust adapter



Grease filters (2)

Installation hardware

HARDWARE	QTY.
 Wood screws (1/4 in. × 2 in.)	2
 Toggle bolts with wing nuts (3/16 in. × 3 in.)	2

HARDWARE	QTY.
 Self-aligning machine screws (20-1/4 in. × 3 in.)	3
 Nylon grommet	1

Note: The installation hardware is located in a packet with your microwave oven. Some extra parts are also included.

Mounting templates



*Top Cabinet Template
and Rear Wall
Template*

Documents

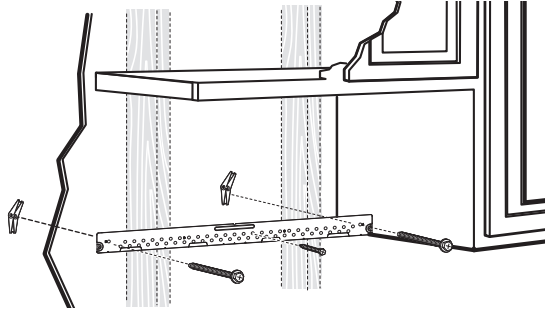


*User Guide and
Installation Guide*

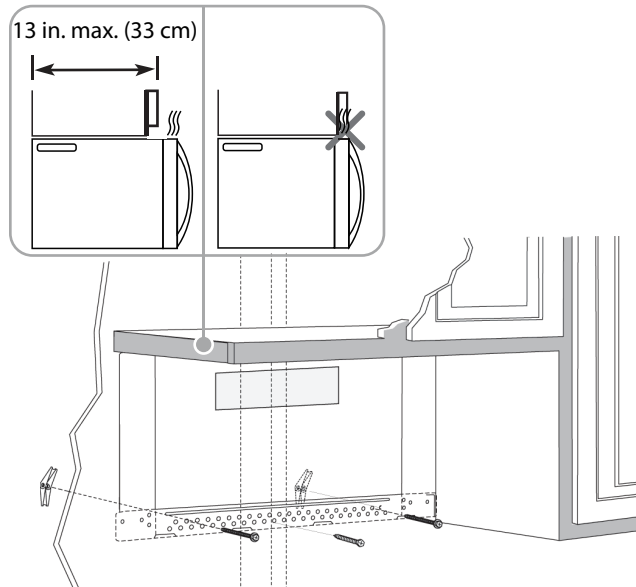
What you need to know before starting

- Need to verify venting (see [Step 3: Select a ventilation type](#) on page 15.)

- Need to verify wall stud locations (see [Step 1: Find the wall studs](#) on page 11.)



Note: If a wall stud is within 6 in. (15.2 cm) of the vertical center line, you cannot use the Rear Venting option.



Notes:

- Depending on your stud locations, your installation may look different. You should insert toggle bolts into drywall and wood screws into studs.
- Attach the mounting plate to the wall using toggle bolts. At least one wood screw must be used to attach the plate to a wall stud.

Note: The top of the mounting plate is indicated with an arrow. The mounting plate's hooks are on the front.

Note: If you are going to vent your exhaust to the outside, see exhaust requirements on page 8

Before you install

Read these instructions completely before installing your microwave. Make sure that your space meets the mounting requirements and that you've gathered all needed tools and materials.

Tools and materials needed



Ducts (if venting outside)
See [Exhaust requirements](#) on page 8



Filler blocks or scrap wood pieces
(for top cabinet spacing in recessed
bottom cabinet installations, if needed)



#1 and #2 Phillips screwdrivers



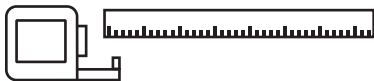
Pencil



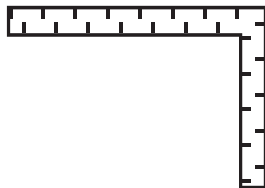
Utility knife



Edge-to-edge stud finder



Ruler or tape measure



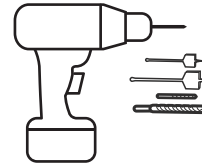
Carpenter square
(optional)



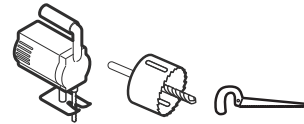
Level



Duct and masking tape



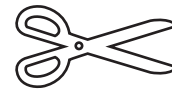
Electric drill with 3/16", 1/2", and 3/8" bits



Saw
(saber, hole, or keyhole)



Tin snips
(to cut damper, if needed)



Scissors
(to cut template, if needed)



Gloves



Safety goggles

Mounting requirements

- The space between the cabinets must be 30 in. (76.2 cm) wide. If the space between the cabinets is more than 30 in. (76.2 cm), you'll need filler material to fill the gap between the microwave and cabinets.
- If the cabinet depth, including the cabinet doors, is more than 13 in. (33 cm), the unit must be spaced out from the wall using adequate materials capable of supporting 150 lbs. (68 kg) to allow for proper top vent air exhaust/intake. (See Figure 1).
- If installing the microwave beneath smooth, flat cabinets, make sure that you leave enough space for the power cord clearance.
- If you are going to vent your exhaust to the outside, see [Exhaust requirements](#) on page 8 for exhaust duct preparation.

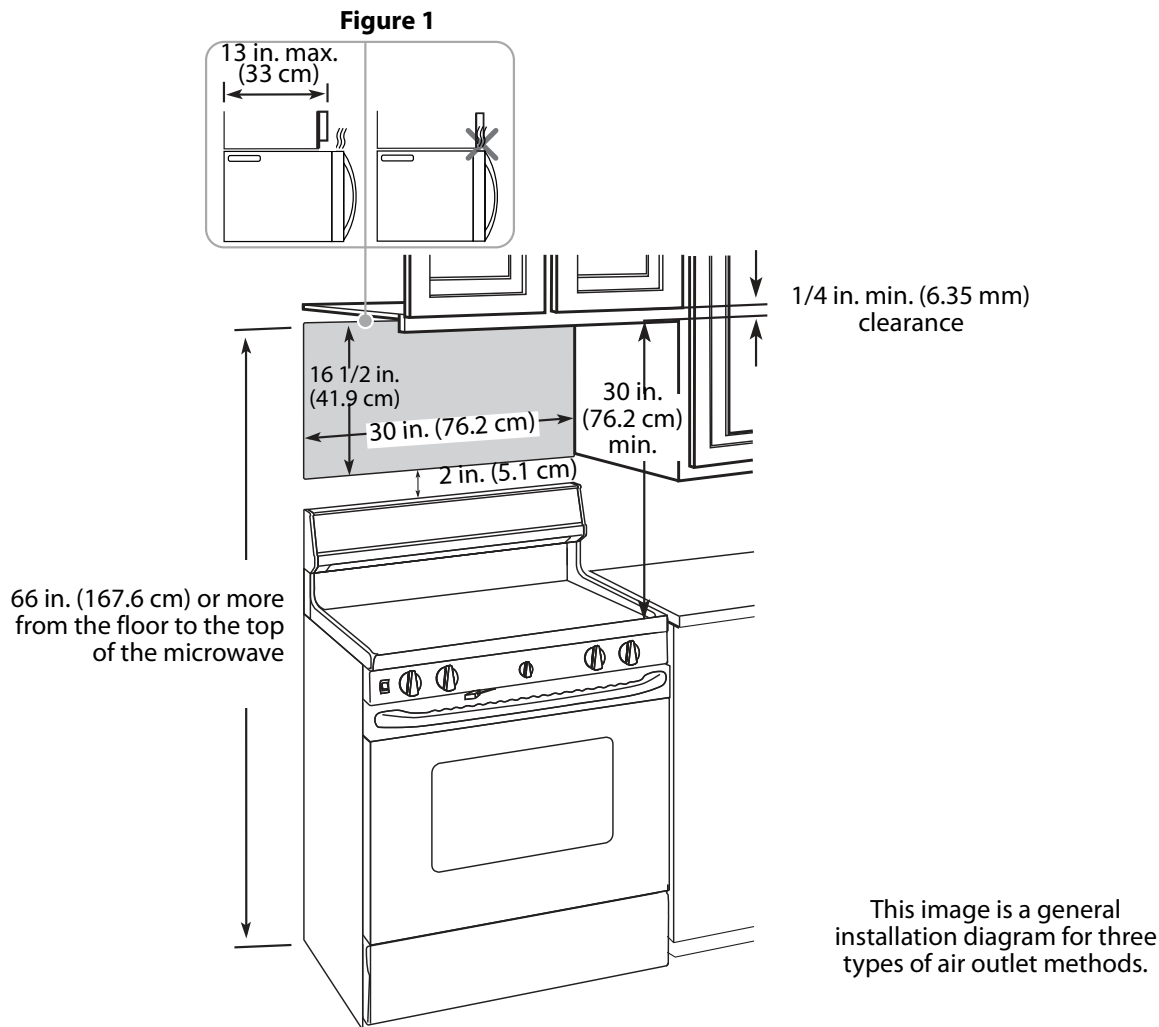
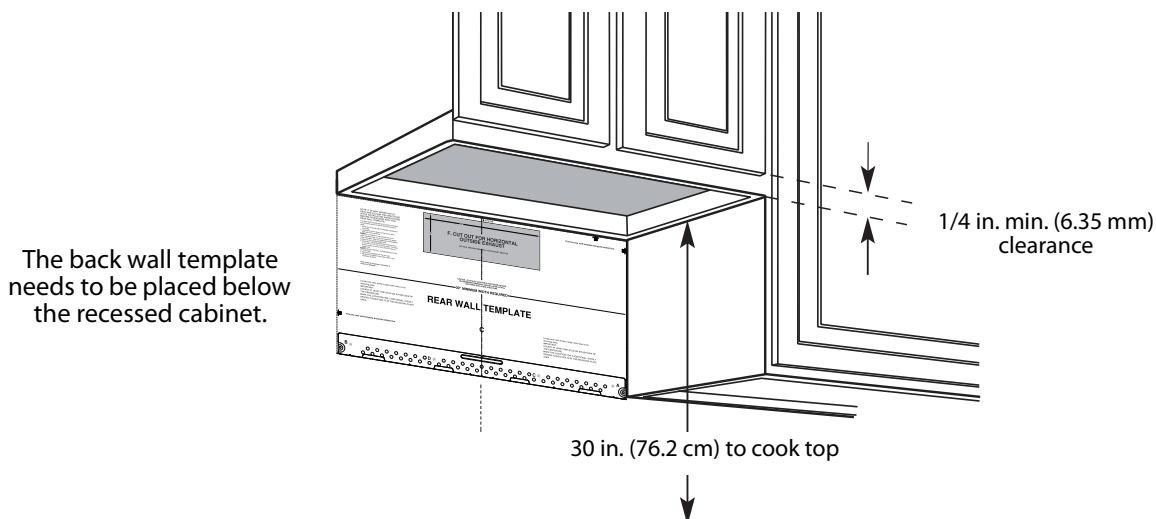


Plate position - beneath a recessed cabinet bottom with a front overhang



Use the [Equivalent duct length table](#) on page 9 to calculate the equivalent ductwork length for your setup.

Exhaust requirements

Use this section if you plan to vent your microwave outside (top or back exhaust). If you plan to recirculate the air back into the room, skip to [Unpacking your microwave](#) on page 10.

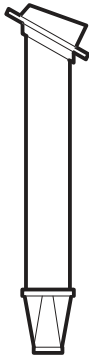
When installing exhaust vents:

- Use the most direct route with as few elbows/transitions as possible. This helps prevent blockages and ensures that the exhaust is being vented correctly. Also make sure that dampers swing freely and that nothing is blocking the ducts.
- Your microwave is designed to mate with a standard 3 1/4 in. x 10 in. (8.3 x 25.4 cm) rectangular duct or 5 in. (12.7 cm) diameter/6 in. (15.2 cm) diameter round duct. If a round duct is required, a rectangular-to-round transition adapter must be used.

Note: If a rectangular-to-round transition adapter is used, cut the bottom corners of the damper with tin snips to let the damper have free movement.

- Elbows, transitions, and wall/roof caps add resistance to airflow. Each of these pieces are equivalent to a section of straight duct that is longer than their actual physical size. When calculating your duct length, add the equivalent lengths of all the pieces together. For proper airflow, the equivalent airflow should not exceed 140 ft. (42.7 m). For example:

Outside top exhaust (example)



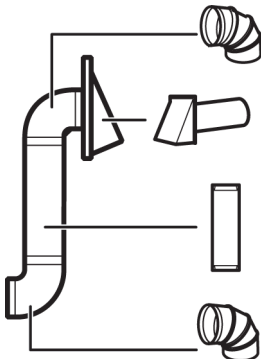
Duct Pieces	Equivalent Length	×	Number Used	=	Total Equivalent Length
Roof cap	24 ft. (7.3 m)	×	(1)	=	24 ft. (7.3 m)
Rectangular-to-round transition adapter	5 ft. (1.5 m)	×	(1)	=	5 ft. (1.5 m)
12 ft. (3.6 m) Straight duct (6 in. (15.2 cm) round)	12 ft. (3.7 m)	×	(1)	=	12 ft. (3.6 m)
Total ductwork					= 41 ft. (12.5 m)

Equivalent lengths of duct pieces are based on actual tests and reflect requirements for good venting performance with any vent hood.

For proper airflow, this number should not exceed 140 ft.

Important: If a rectangular-to-round transition adapter is used, cut the bottom corners of the damper with tin snips to let the damper have free movement.

Outside back exhaust (example)



Duct Pieces	Equivalent Length	×	Number Used	=	Total Equivalent Length
Wall cap	40 ft. (12.2 m)	×	(1)	=	40 ft. (12.2 m)
90° elbow	10 ft. (3 m)	×	(2)	=	20 ft. (6.1 m)
Straight duct 6" round OR 3-1/4" x 10" rectangular	3 ft. (.9 m)	×	(1)	=	3 ft. (.9 m)
Total ductwork					= 63 ft. (19.2 m)

Equivalent lengths of duct pieces are based on actual tests and reflect requirements for good venting performance with any vent hood.





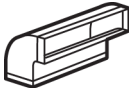
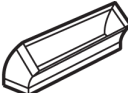


For proper airflow, this number should not exceed 140 ft. (42.7 m)

Note: For back exhausting, care should be taken to align the exhaust with space between studs, or the wall should be prepared at the time it is constructed by leaving enough space between the wall studs to accommodate exhaust.

Equivalent duct length table

To calculate your equivalent duct length:

- 1 Write the number of sections used for each of the duct pieces.
- 2 Multiply the number used by the equivalent length for each duct piece.
- 3 Add the total equivalent lengths together. This number must be less than 140 ft. (42.7 m).

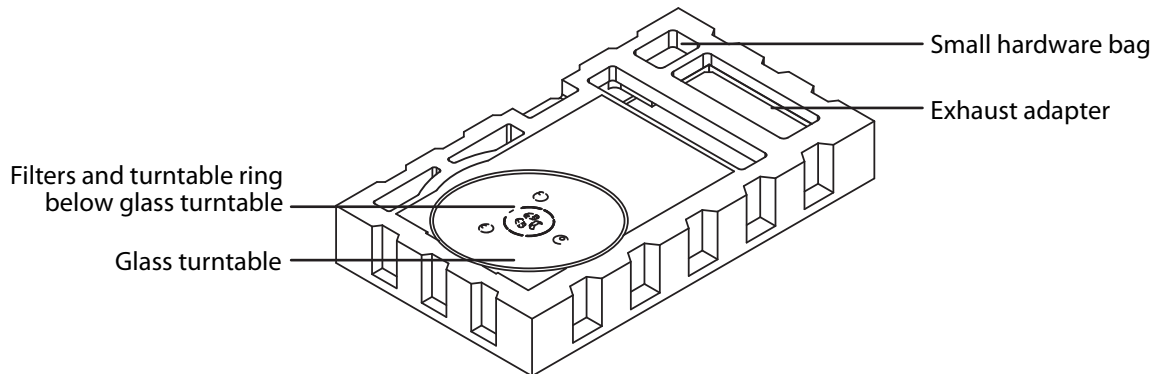
Duct Pieces	Equivalent Length	×	Number Used	=	Total Equivalent Length
 Rectangular-to-round transition adapter	5 ft. (1.5 m)	×	()	=	ft. or m
 Wall cap	40 ft. (12.2 m)	×	()	=	ft. or m
 90° elbow	10 ft. (3 m)	×	()	=	ft. or m
 45° elbow	5 ft. (1.5 m)	×	()	=	ft. or m
 90° elbow	25 ft. (7.6 m)	×	()	=	ft. or m
 45° elbow	5 ft. (1.5 m)	×	()	=	ft. or m
 Roof cap	24 ft. (7.3 m)	×	()	=	ft. or m
 Straight duct 6" round OR 3-1/4" × 10" rectangular	1 ft. (.3 m)	×	()	=	ft. or m
Total ductwork =					ft. or m (For proper airflow, this number should not exceed 140 ft. [42.7 m])

Unpacking your microwave

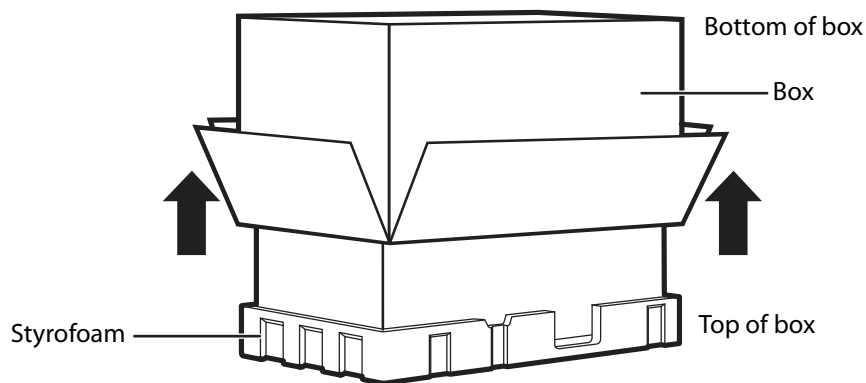
- 1 Open the box and remove the *Installation Guide*, *User Guide*, exhaust adapter, turntable ring, filters, glass turntable, and the small hardware bag.

Note: Do not remove the Styrofoam protecting the front of the oven or the plastic plug protective cover until just before hanging the unit.

- 2 Fold back all four box flaps fully against the sides of the box, then carefully roll the oven and box over onto the top side. The oven should be resting in the Styrofoam.



- 3 Pull the box up and off the oven.

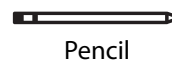


- 4 Cut the middle of the outer protective plastic bag to remove the mounting plate.

Installing your microwave

Step 1: Find the wall studs

You will need:



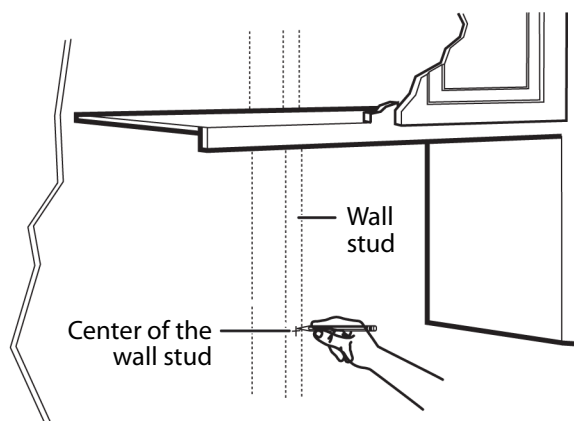
⚠ WARNING

Your microwave must be connected to at least one wall stud.

- Using an edge-to-edge stud finder, locate the edges of the wall stud(s) within the opening.

Note: The center of any adjacent wall studs should be 16 in. (40.64 cm) or 24 in. (60.96 cm) from this mark.

- Mark the center of each stud, then draw a vertical line down the center of each stud.



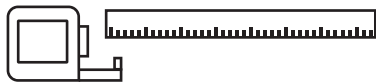
- Hold mounting plate up to the template to determine the position of the holes that need to be drilled.
- Drill a 3/16 in. hole through the template at the point you marked on the wall stud. Drill 5/8 in. holes in the template at Hole A and at Hole B on the template for toggle bolts. Do not mount the mounting plate at this time.

⚠ CAUTION

At least three holes must be used for mounting and at least one wood screw must be mounted in a stud in order for the mounting plate to support the weight of the microwave oven.

Step 2: Align the rear wall template and the wall plate

You will need:



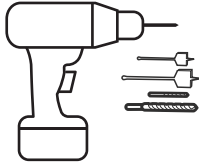
Ruler or tape measure



Level



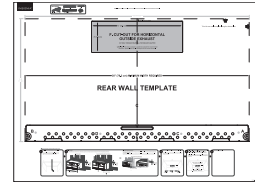
Pencil



Electric drill with 3/16" and 5/8" bits



Masking tape



Rear wall template

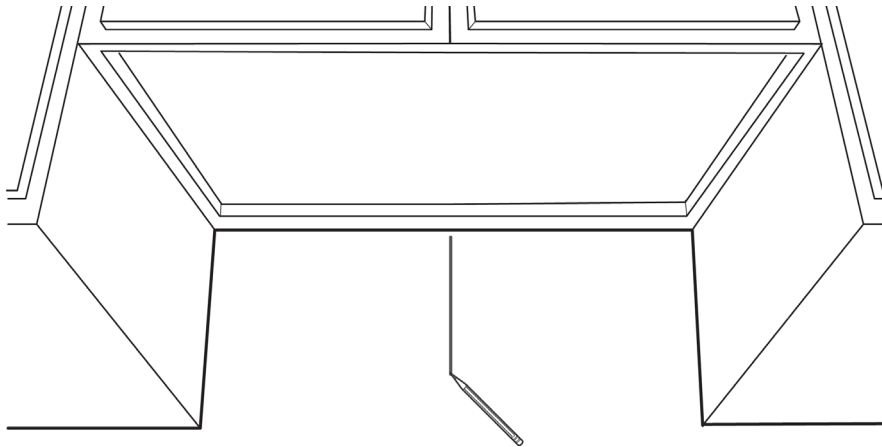
CAUTION: THE MICROWAVE MUST BE LEVEL.

Use a level to make sure that the cabinet bottom is level. If the cabinets have a front overhang only, with no back or side frame, install the mounting plate down the same distance as the front overhang depth. This will keep the microwave level.

Notes:

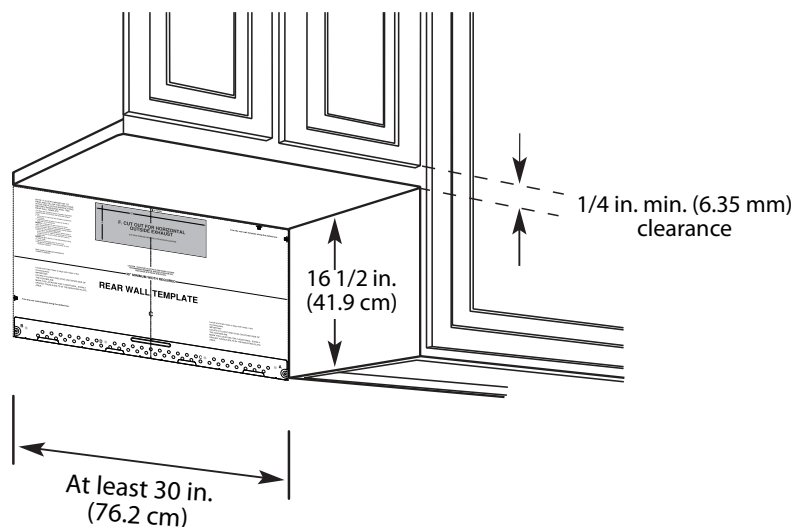
- If you are installing the microwave beneath smooth, flat cabinets, make sure that you leave enough space for the power cord clearance.
- If cabinets have decorative trim that interferes with the microwave installation, remove the trim to install the microwave properly and to make sure that it is level.

- 1 Use a level to make sure that the bottom of the cabinet is level.
- 2 Draw a vertical line down the center of the wall in the mounting space. This is where the center of your template will be.

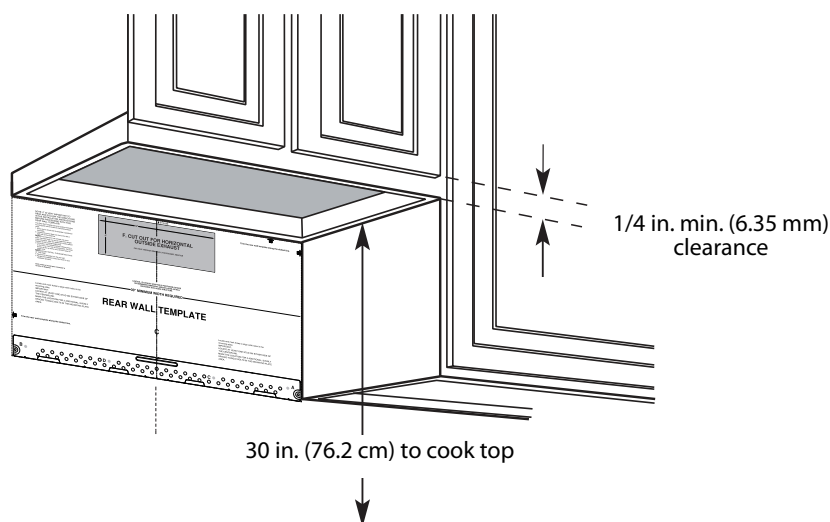


- For flat cabinet bottoms and framed recess cabinet bottoms, tape the rear wall template onto the wall matching the centerline and touching the cabinet bottom. Use scissors to trim the template at the dotted line to make sure that the template is in the proper position.

Template position - beneath a flat cabinet bottom

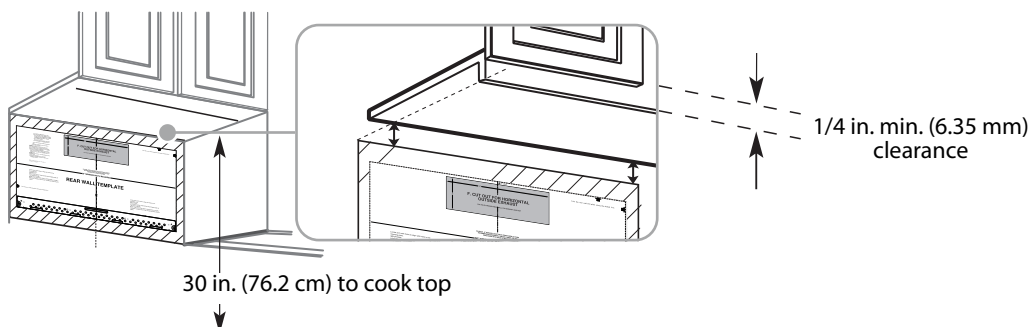


Template position - beneath a recessed cabinet bottom with a front overhang



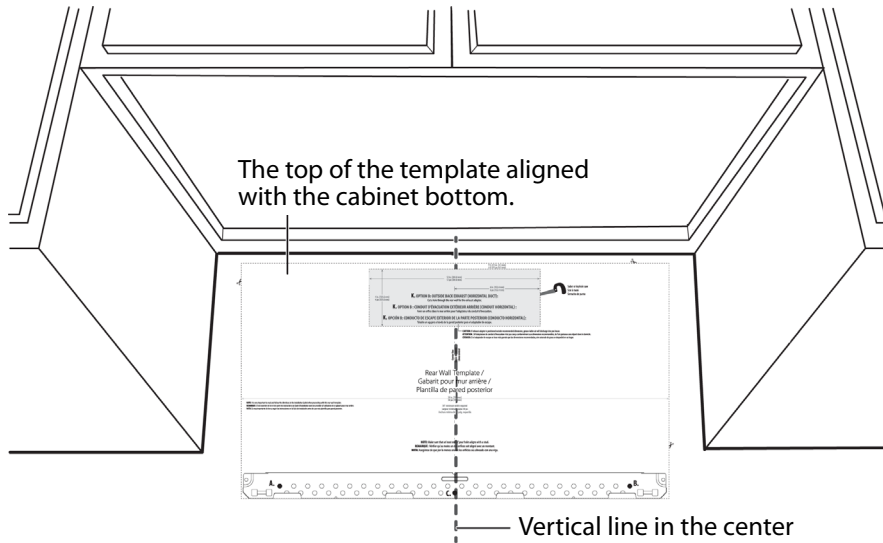
- For flat cabinet bottoms and framed recess cabinet bottoms, skip to step 7. For recessed cabinet bottoms, continue to step 5.
- For a recessed cabinet bottom with a front overhang, draw a horizontal line on the wall the same distance from the cabinet bottom as the bottom of the overhang.

Template position - beneath a recessed cabinet bottom with a front overhang



- 6 Tape the rear wall template in place so that it is centered on the vertical line and the top edge is aligned with the horizontal line.

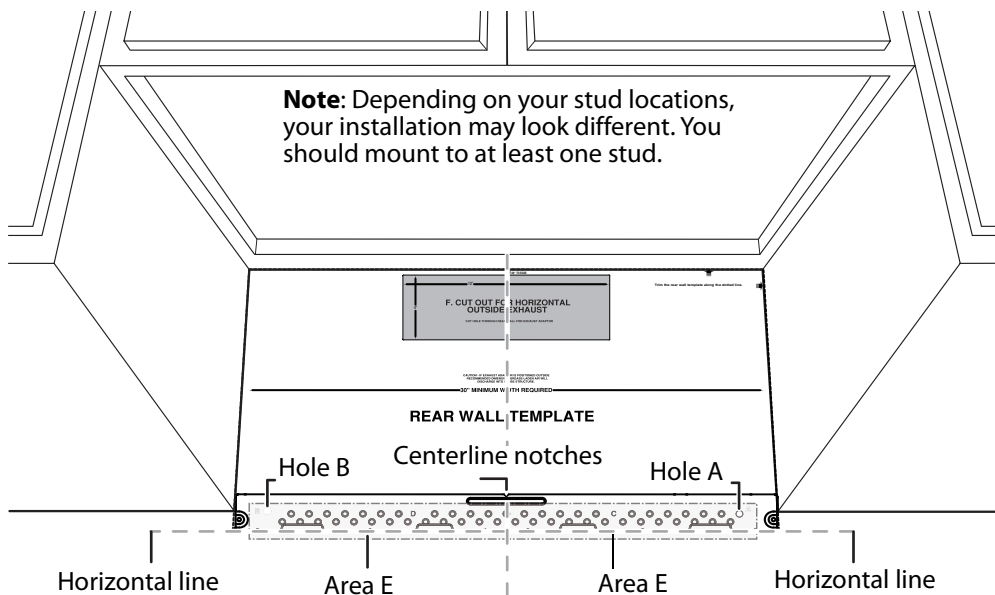
Note: The top of the template must be aligned with the cabinet bottom (for flat bottom cabinets and recessed bottom cabinets) or the horizontal line (for cabinets with an overhang).



- 7 Draw a horizontal line on the wall at the bottom of the rear wall template.
- 8 Find a wall stud in area E of the mounting plate (see [Step 1: Find the wall studs on page 11](#)) and mark the centerline of the stud on the template.
- 9 Drill a 3/16 in. hole through the template at the point you marked on the stud centerline. For holes where there is no stud, drill 5/8 in. holes at Hole A and at Hole B on the template. Do not mount the mounting plate at this time.

CAUTION

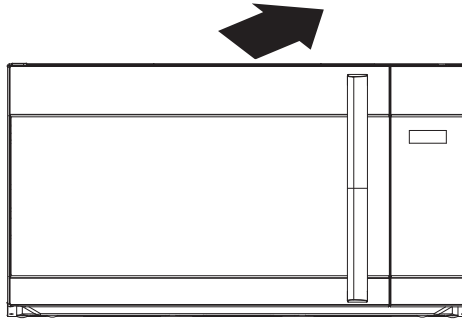
At least three holes must be used for mounting and at least one wood screw must be mounted in a stud in order for the mounting plate to support the weight of the microwave oven.



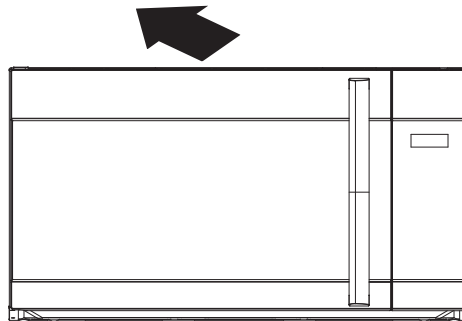
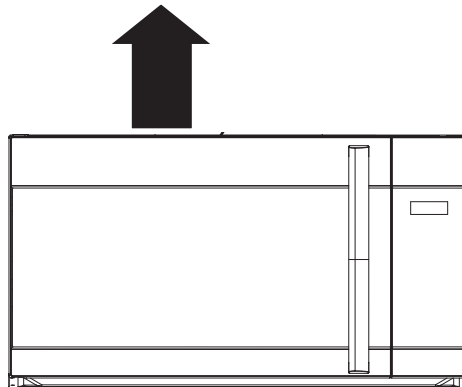
Step 3: Select a ventilation type

This microwave is designed for three types of ventilation. Select the type of ventilation you want to use, then go to the corresponding page.

Note: This microwave is shipped assembled for recirculating (Option A).

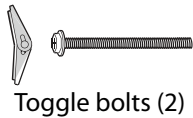
Option A - Recirculating (non-vented/ductless): Jump to [page 16](#)

Models are shipped for recirculating exhaust. Some models have a disposable charcoal filter installed to help remove smoke and odors.

Option B - Outside back exhaust (horizontal duct): Jump to [page 24](#)**Option C - Outside top exhaust (vertical duct): Jump to [page 34](#)**

Step 4: Option A (recirculating) - Attach the mounting plate to the wall

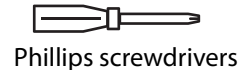
You will need:



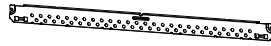
Toggle bolts (2)



Wood screws



Phillips screwdrivers

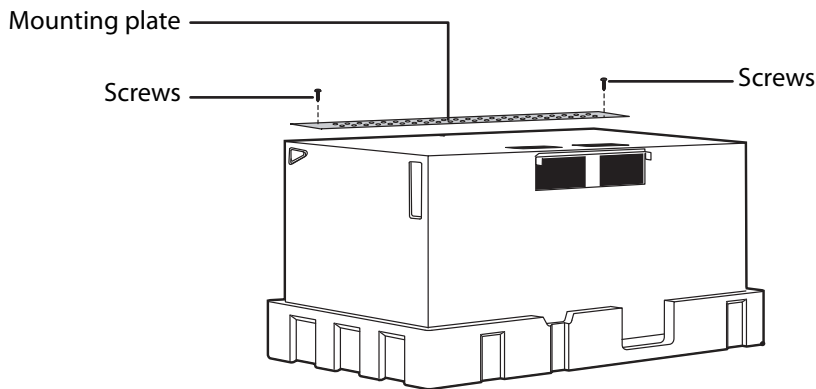


Mounting plate

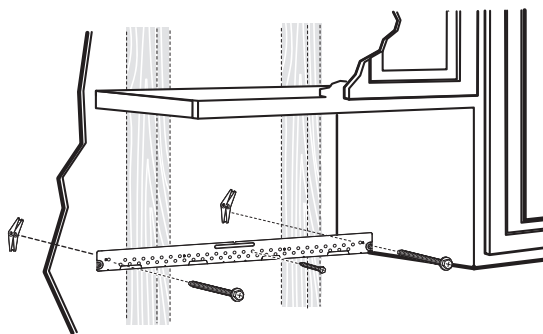
Notes:

- Make sure that the screws for the blower motor and blower plate are securely tightened when they are reinstalled. This will help to prevent excessive vibration.
- Make sure that the motor wiring has been properly routed and secured, and that the wires are not pinched.

- 1 Remove the mounting plate from the back of the microwave oven, then reinstall the screws into the holes where they were removed.



- 2 Hold the mounting plate up to the template to determine where the holes need to be drilled. Mark the stud holes and the drywall anchor holes.
- 3 Use a 3/16 in. drill bit to drill a pilot hole for a lag screw, and use a 5/8 in. drill bit to drill holes for drywall anchors, then remove the template.
- 4 Remove the toggle wings from the bolts.
- 5 Insert the toggle bolt(s) through the front of the mounting plate into the hole(s) that are not going into a stud, and then attach the toggle wings 3/4 in. (19 mm) onto each bolt. Hold your mounting plate up to the holes in your wall to identify the correct position.



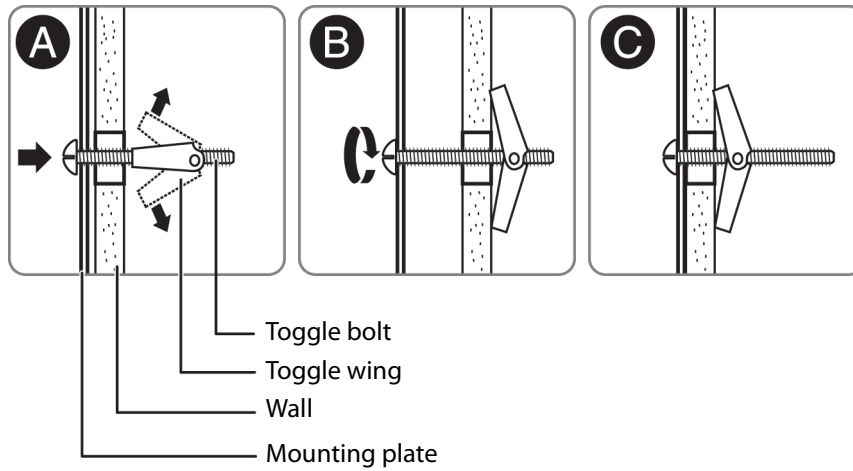
- 6 Place the mounting plate against the wall and insert the toggle wings into the holes you drilled in the drywall. Pull the mounting plate away from the wall to help tighten the toggle wings.

Note: Before tightening the toggle bolts and the wood screw(s), make sure that the bottom of the mounting plate aligns with the bottom of the cabinet and the horizontal line when pushed flush against the wall and that the plate is properly centered under the cabinet.

- 7 Insert wood screw(s) through the mounting plate and into the hole(s) drilled in the stud(s), then tighten both the wood screw(s) and the toggle bolt(s) with a Phillips screwdriver to mount the plate. Make sure that the plate is centered before tightening fully.

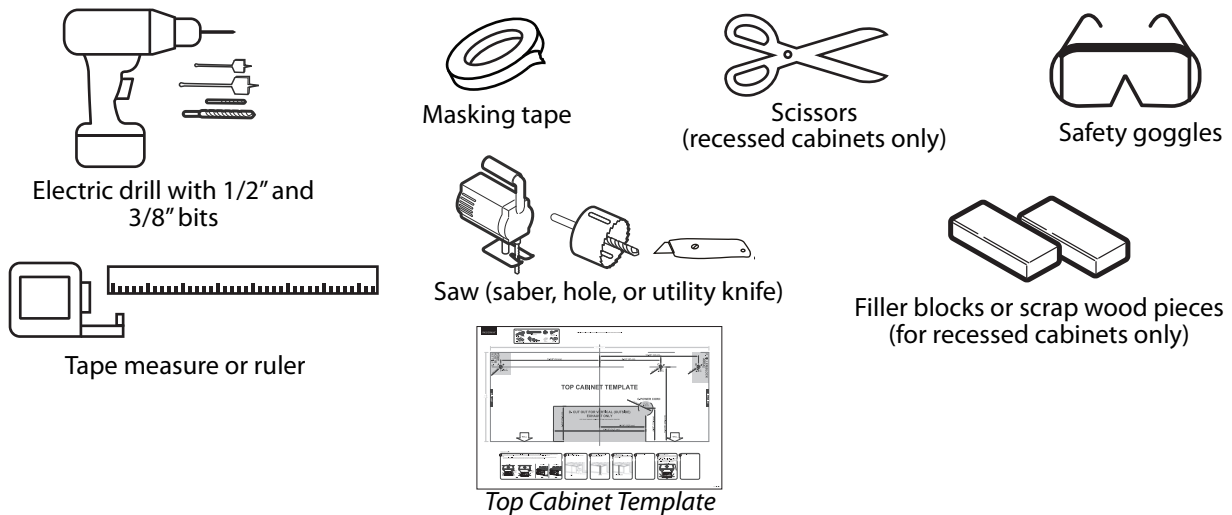
CAUTION

Be careful to avoid pinching your fingers between the back of the mounting plate and the wall.



Step 5: Option A (recirculating) - Prepare the top cabinet

You will need:



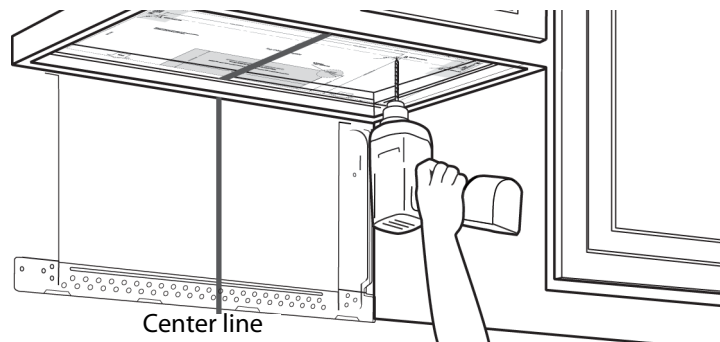
You need to drill holes for the top support screws, a hole large enough for the power cord to fit through.

- 1 Turn off the power to the outlet in the cabinet.
- 2 Remove everything from the cabinet.
- 3 Read the instructions on the top cabinet template.

Notes:

- If the bottom of your cabinet is recessed and the template is too large, trim the edges to fit. Your template should fit snugly inside the space with no overhang.
- Make sure that you keep the left and right sides even. For example, if you need to trim the sides by 1 in., cut 1/2 in. from the left side and 1/2 in. from the right side.
- Some cabinets have a small bracket or glue block between the overhang and the underside of the cabinet bottom. Cut the template to fit around these so it lies flat on the bottom of the cabinet.

- 4 To position the *Top Cabinet Template*:
 - Align the center line on the template with the center line that you drew on the wall.
 - Align the back edge of the template to the rear wall (smooth or flat bottom cabinets) or to the back of the recess (recessed cabinets) to make sure that the holes cut into the upper cabinet align with the holes in the top of the microwave.



- 5 Tape the template to the bottom of the cabinet.

⚠ CAUTION

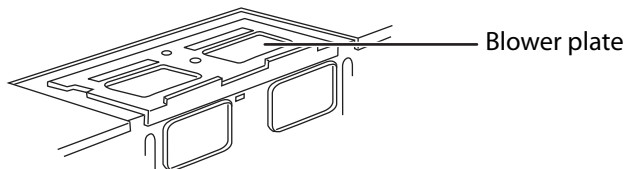
Wear safety goggles when drilling holes in the cabinet bottom.

- 6 Drill 3/8 in. holes through the template at points **A** and **B**.
- 7 Cut a 2 in. (5 cm) diameter hole at point **C** for the power cord.
- 8 If you have recessed cabinets:
 - Make two filler blocks out of scrap wood pieces the size of shaded areas **E** and **F**. They must be as thick as the depth of the cabinet recess.
 - Drill 3/8 in. holes in the filler blocks to align with points **A** and **B**.
- 9 Align the blocks with the corresponding holes in the cabinet. They should be at the same level as the bottom edge of the cabinet frame.
- 10 Remove the template.

Step 6: Option A (recirculating) - Check the blower plate**You will need:**

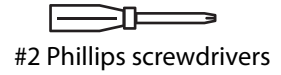
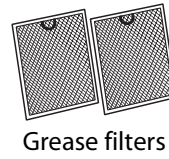
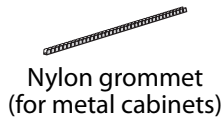
#2 Phillips screwdrivers

- 1 Place the microwave in its upright position, with the top of the unit facing up.
- 2 Make sure that the blower plate is correctly installed on the unit and that the screws are tight.



Step 7: Option A (recirculating) - Mount the microwave

You will need:



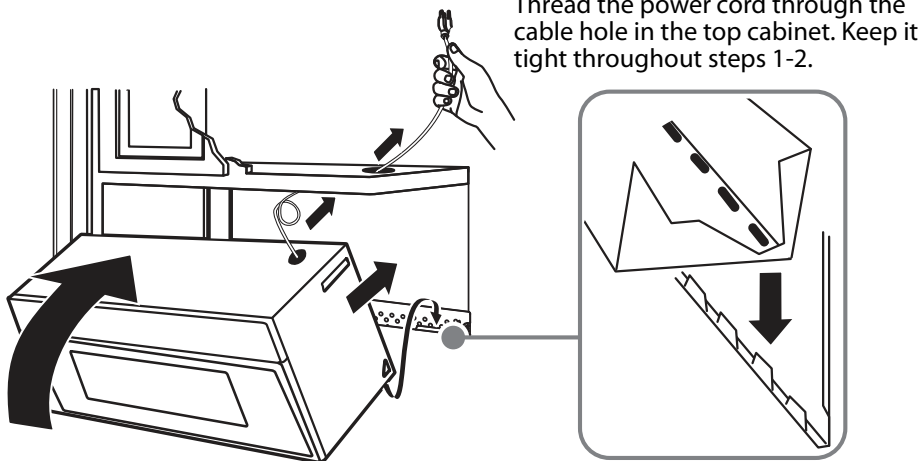
⚠ CAUTION

- For easier installation and personal safety, we recommend that two people install this product because of the weight. We highly recommend professional installation if any electrical or carpentry work is required.
- Do not grip or use the handle or heat shield during installation.
- If your cabinet is metal, insert the nylon grommet into the power cord hole to prevent cutting the cord.

- 1 Lift the microwave, tilt it forward, and hook the slots on the back bottom edge onto the four lower tabs of the mounting plate, then rotate the front of the microwave up against the bottom of the cabinet.

Notes:

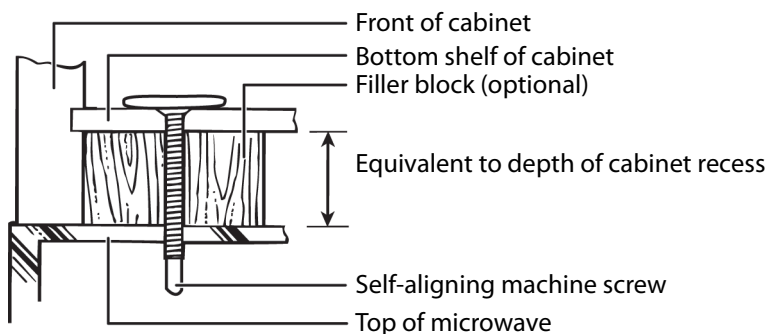
- We recommend using filler blocks if the front of the cabinet hangs below the cabinet's bottom shelf.
- If filler blocks are not used, damage may occur from over-tightening the screws.
- Be sure to keep the power cord tight.
- Do not pinch the cord, especially when mounting flush to the bottom of the cabinet.



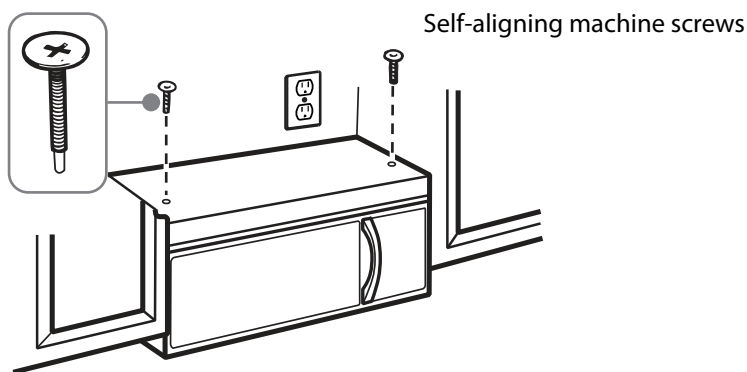
- To attach the microwave oven to the top cabinet, insert two self-aligning machine screws through the holes you drilled in the bottom of the cabinet. Turn each screw at least two full turns after the threads have engaged (they will be fully tightened later).

⚠ CAUTION

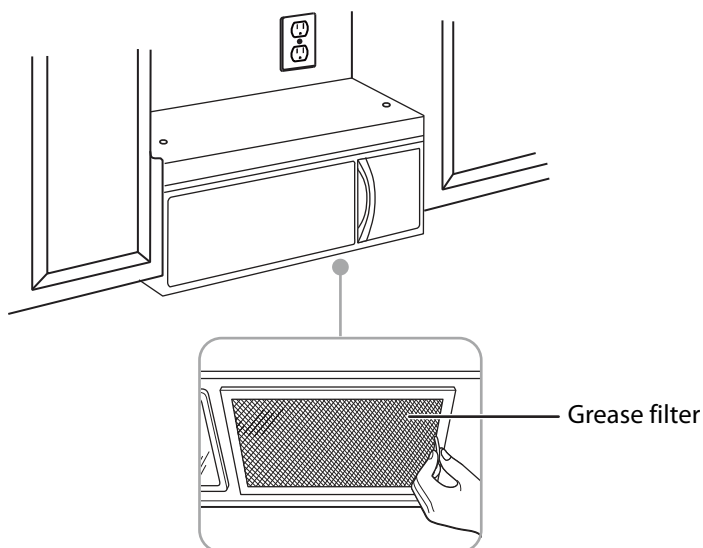
- Be sure that you keep the power cord tight.
- Be careful not to pinch the power cord, especially when mounting flush to the bottom of the cabinet.



- While holding the microwave up against the wall and cabinet, fully tighten the outer two screws.



- Fit the two grease filters into the openings underneath your microwave.



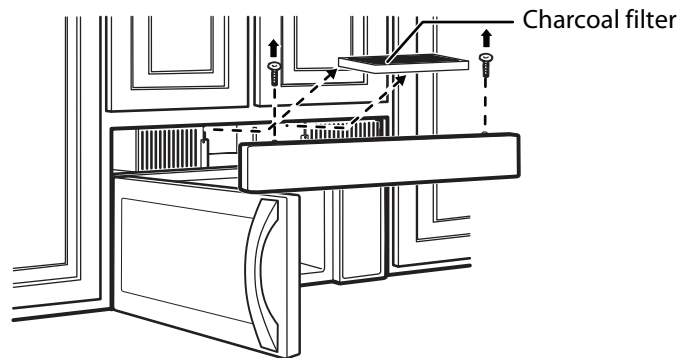
Step 8: Option A (recirculating) - Installing or changing the charcoal filter

You will need:

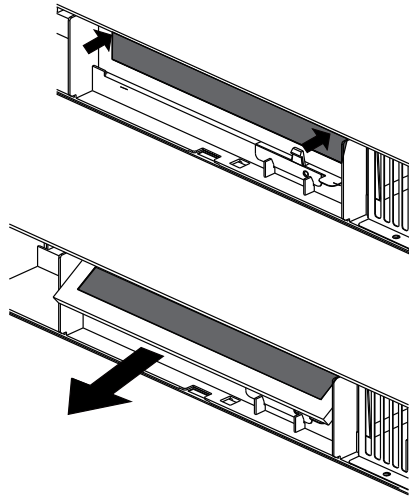


#2 Phillips screwdrivers

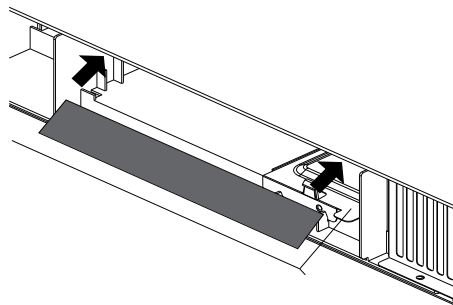
- 1 Unplug the microwave oven or disconnect the power.
- 2 Open the microwave door and remove the two vent mounting screws located on top of the microwave using a #2 Phillips screwdriver.



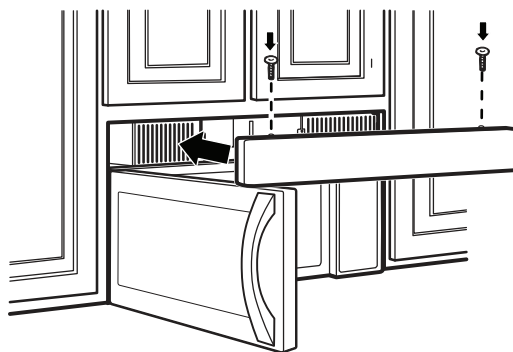
- 3 Remove the charcoal filter by pushing the top of the filter inwards, then pull it forward out from the unit.



- 4 Slide the top of the (new) charcoal filter into the top of the filter cavity, then press the bottom of the filter into place.



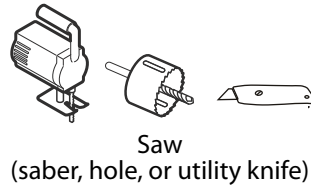
- 5 Reinstall the vent by sliding the bottom of the vent into place, then push the vent top into position and slide it into place. Replace the two vent mounting screws located on top of the microwave using a #2 Phillips screwdriver.



- 6 You're finished! Skip to [Before using your microwave](#) on page 43.

Step 4: Option B (outside back exhaust) - Cutting a vent opening

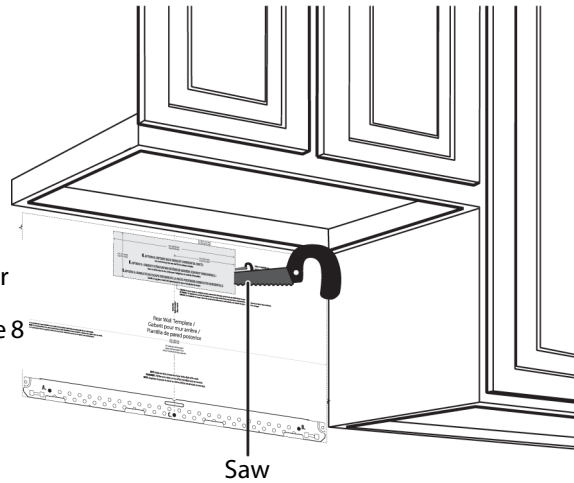
You will need:



- 1 Use a saber saw or utility knife to cut out the shaded area **F** through the rear wall.

Note: If a wall stud is within 6 in. (15.2 cm) of the vertical center line, you cannot use this installation option.

Note: This hole must align with the exterior vent piping that was pre-installed per page 8 requirements.



- 2 Remove the rear wall template.

Step 5: Option B (outside back exhaust) - Attach the mounting plate to the wall

You will need:



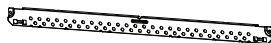
Toggle bolts (2)



Wood screws



Phillips screwdrivers

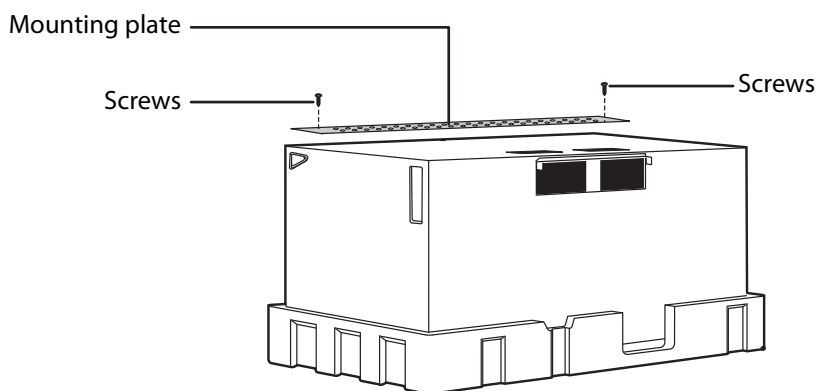


Mounting plate

Notes:

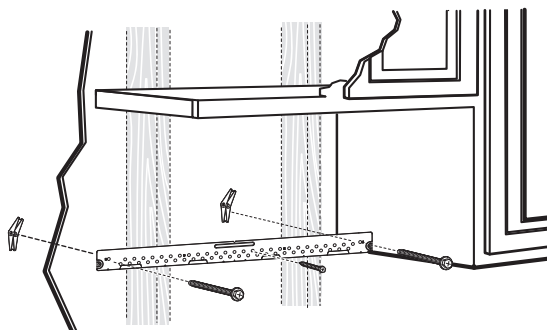
- Depending on your stud locations, your installation may look different. You should insert toggle bolts into drywall and wood screws into studs.
- Attach the mounting plate to the wall using toggle bolts. At least one wood screw must be used to attach the plate to a wall stud.

- 1 Remove the mounting plate from the back of the microwave oven, then reinstall the screws into the holes where they were removed.



- 2 Hold the mounting plate up to the template to determine where the holes need to be drilled.
- 3 Use a 3/16 in. drill bit to drill a pilot hole for the lag screw and use a 5/8 drill bit to drill holes for drywall anchors.
- 4 Remove the rear wall template.
- 5 Insert the bolt(s) through the front of the mounting plate into the hole(s) that are not going into a stud, and then reattach the toggle wings 3/4 in. (1.9 cm) onto each bolt. Hold your mounting plate up to the holes in your wall to identify the correct position.

Note: The top of the mounting plate is indicated with an arrow. The mounting plate's hooks are on the front.

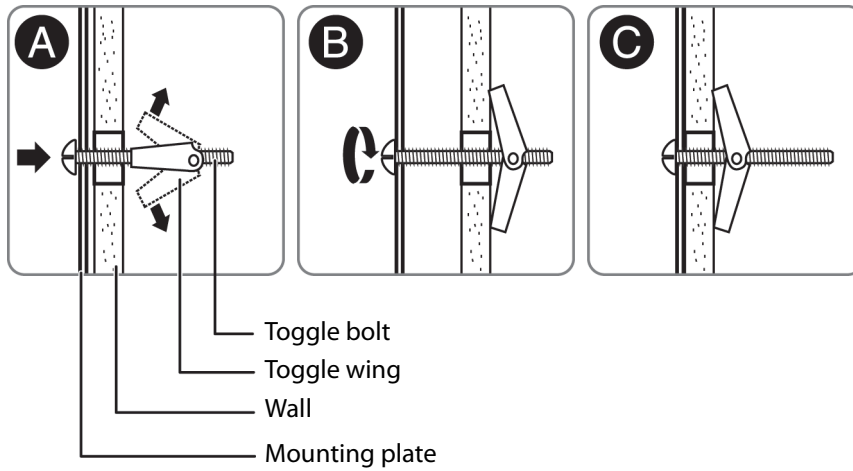


- 6 Place the mounting plate against the wall and insert the toggle wings into the holes you drilled in the drywall. Pull the mounting plate away from the wall to help tighten the toggle wings.

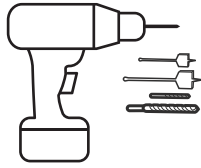
- 7 Insert wood screw(s) through the mounting plate and into the hole(s) drilled in the stud(s), then tighten both the wood screw(s) and toggle bolt(s) with a Phillips screwdriver to mount the plate. Make sure that the plate is centered and touching the bottom of the cabinet before tightening fully.

CAUTION

Be careful to avoid pinching your fingers between the back of the mounting plate and the wall.



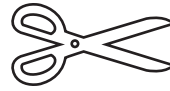
- 8 Tighten all bolts.

Step 6: Option B (outside back exhaust) - Prepare the top cabinet**You will need:**

Electric drill with 1/2" and 5/8" bits



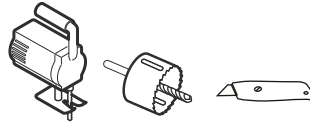
Masking tape

Scissors
(recessed cabinets only)

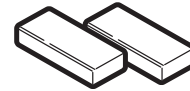
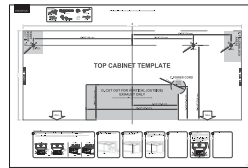
Safety goggles



Ruler or tape measure



Saw (saber, hole, or utility knife)

Filler blocks or scrap wood pieces
(for recessed cabinets only)*Top Cabinet Template*

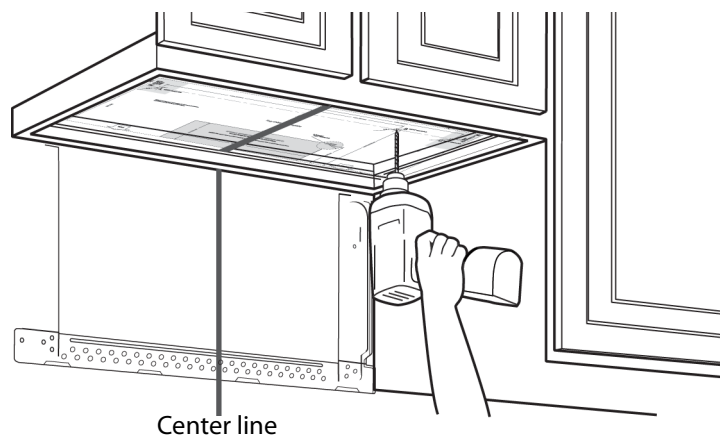
You need to drill holes for the top support screws and a hole large enough for the power cord to fit through.

- 1 Read the instructions on the *Top Cabinet Template*.
- 2 Turn off the power to the outlet in the cabinet.
- 3 Remove everything from the cabinet.
- 4 Trim the *Top Cabinet Template* along the dotted line.
- 5 If the bottom of your cabinet is recessed and the template is too large, trim the edges to fit. Your template should fit snugly inside the space with no overhang.

Notes:

- Make sure that you keep the left and right sides even. For example, if you need to trim the sides by 1 in., cut 1/2 in. from the left side and 1/2 in. from the right side.
- Some cabinets have a small bracket or glue block between the overhang and the underside of the cabinet bottom. Cut the template to fit around these so it lies flat on the bottom of the cabinet.

- 6 To position the *Top Cabinet Template*:
 - Align the center line on the template with the center line that you drew on the wall.
 - Align the back edge of the template to the rear wall (smooth or flat bottom cabinets) or to the back of the recess (recessed cabinets) to make sure that the holes cut into the upper cabinet align with the holes in the top of the microwave.



- 7 Tape the template to the bottom of the cabinet.

CAUTION

Wear safety goggles when drilling holes in the cabinet bottom.

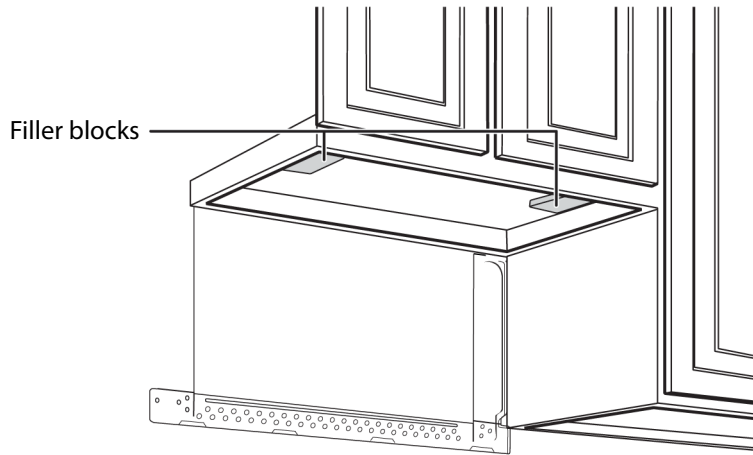
- 8 Drill 3/8 in. holes through the template at points **A** and **B**.

9 Cut a 2 in. (5 cm) diameter hole at point **C** for the power cord.

10 Remove the template.

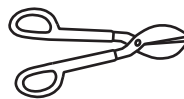
11 If you have recessed cabinets:

- Make two filler blocks out of scrap wood pieces the size of shaded areas **E** and **F**. They must be as thick as the depth of the cabinet recess.
- Drill 3/8 in. holes in the filler blocks to align with points **A** and **B**.
- Align the blocks with the corresponding holes in the cabinet. They should be at the same level as the bottom edge of the cabinet frame.



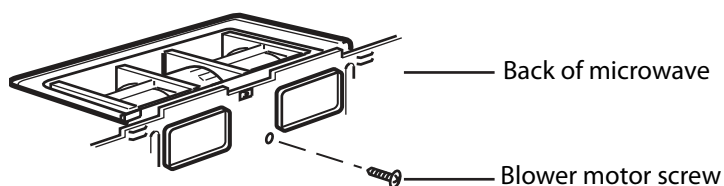
Step 7: Option B (outside back exhaust) - Adapt the microwave blower for outside back exhaust**You will need:**

Phillips screwdrivers



Tin snips

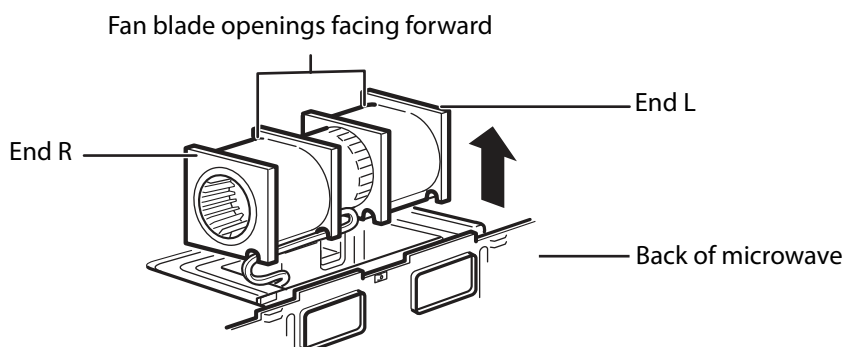
- 1 Set the microwave in its upright position, with the top facing up.
- 2 Remove the screw that holds the blower plate to the microwave, then remove the screw that secures the blower motor to the microwave.



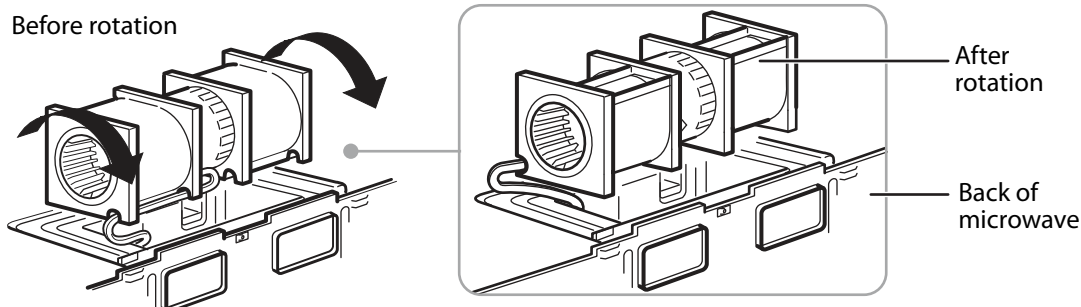
- 3 Carefully pull out the blower unit. The wires will extend far enough to let you adjust the blower unit.

⚠ WARNING

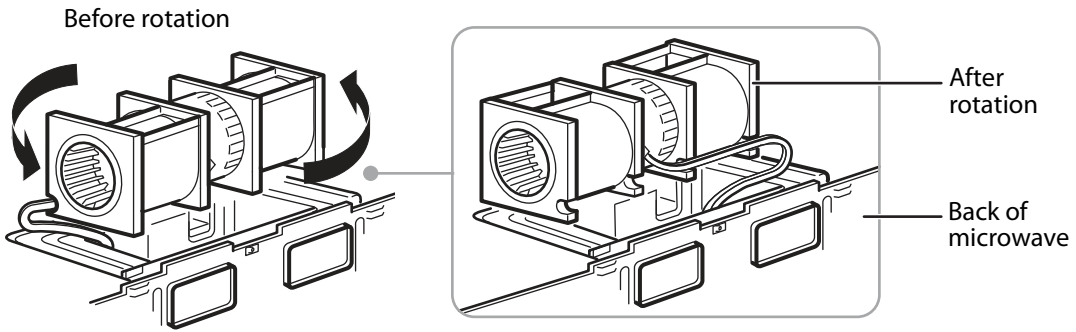
Do not pull or stretch the blower unit wiring. Make sure that the wires are not pinched.



- 4 Gently remove the wires from the grooves.
- 5 Roll the blower unit 90°.

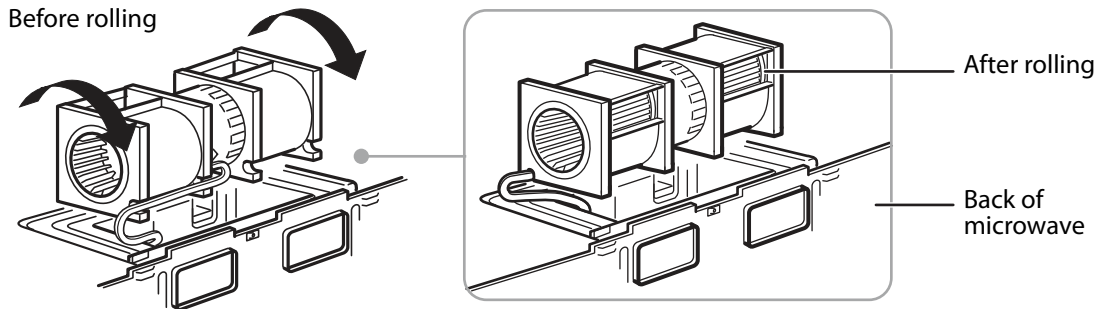


6 Turn the blower unit 180° so that the fan blade openings are facing out the top of the microwave.



7 Reroute the wires through the grooves on the left side of the blower unit.

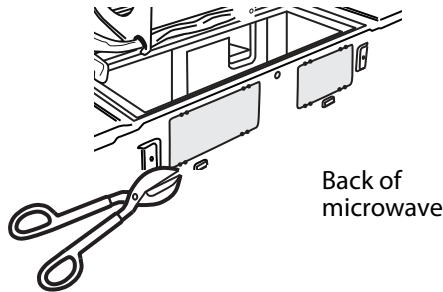
8 Roll the blower unit 90°, so that the fan blade openings are facing out the back of the microwave.



9 Remove the knockout plates in the back of the unit with tin snips.

CAUTION

Snip all four connections on each knockout panel and remove the metal knockouts for rear airflow. Take care to remove any sharp edges created by removing the knockout plates.

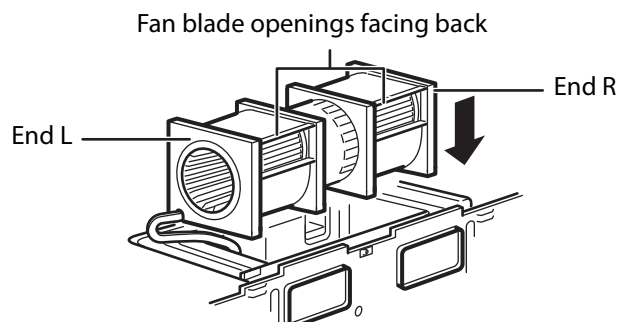


10 Place the blower unit back into the opening in the top of the microwave.

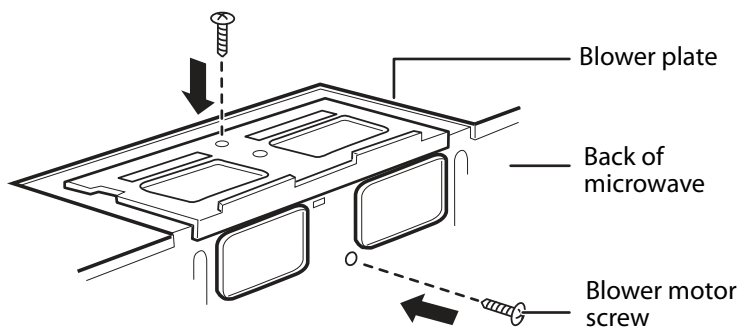
CAUTION

Do not pull or stretch the blower unit wiring. Make sure that the wires are not pinched and that they are properly secured.

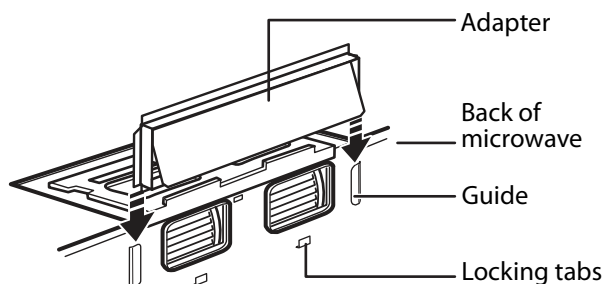
Note: The blower unit exhaust openings should match the exhaust openings in the back of the microwave.



- 11** Secure the blower unit to the microwave with the screw you removed previously, then replace the blower plate in the same position as it was prior to removing it. Make sure that the screw is tight.



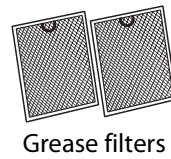
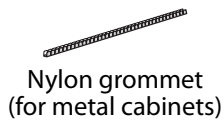
- 12** Attach the exhaust adapter to the back of the microwave by sliding it into the guides at the top center of the back of the oven.



- 13** Push in securely until it engages the lower locking tabs. Make sure that the damper hinge is installed so that it is at the top and that the damper swings freely.

Step 8: Option B (outside back exhaust) - Mount the microwave

You will need:



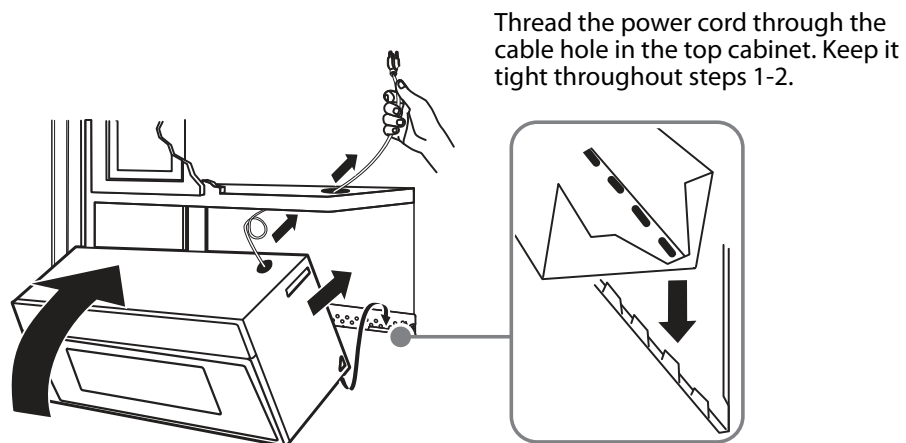
⚠ CAUTION

- For easier installation and personal safety, we recommend that two people install this product because of the weight. We highly recommend professional installation if any electrical or carpentry work is required.
- Do not grip or use the handle or heat shield during installation.
- If your cabinet is metal, insert the nylon grommet into the power cord hole to prevent cutting the cord.

- 1 Lift the microwave, tilt it forward, and hook the slots on the back bottom edge onto the four lower tabs of the mounting plate, then rotate the front of the microwave up against the bottom of the cabinet.

Notes:

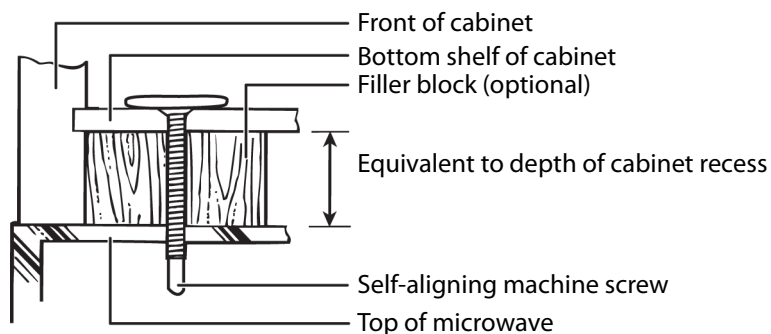
- We recommend using filler blocks if the front of the cabinet hangs below the cabinet's bottom shelf.
- If filler blocks are not used, damage may occur from over-tightening the screws.
- Be sure to keep the power cord tight.
- Do not pinch the cord, especially when mounting flush to the bottom of the cabinet.



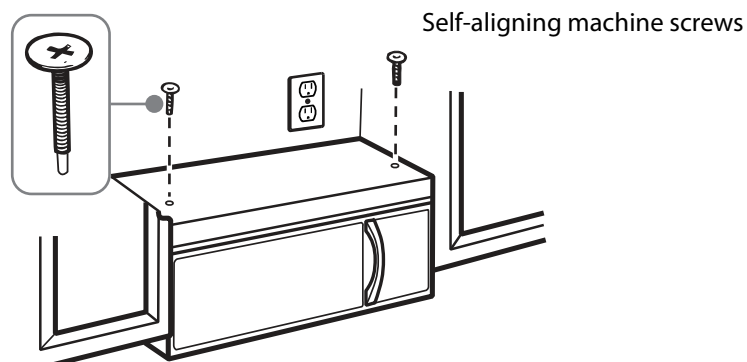
- 2 To attach the microwave oven to the top cabinet, insert two self-aligning machine screws through the holes you drilled in the bottom of the cabinet. Turn each screw at least two full turns after the threads have engaged (they will be fully tightened later).

CAUTION

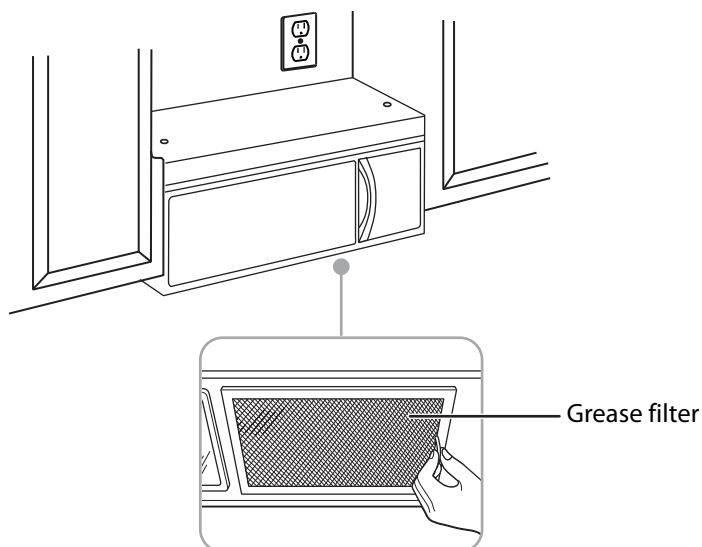
- Be sure that you keep the power cord tight.
- Be careful not to pinch the power cord, especially when mounting flush to the bottom of the cabinet.



- 3 While holding the microwave up against the wall and cabinet, fully tighten the outer two screws.



- 4 Fit the two grease filters into the openings underneath your microwave.

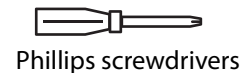
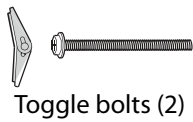


Important: Remove the cardboard spacers between the heat shield and the door.

- 5 You're finished! Skip to [Before using your microwave](#) on page 43.

Step 4: Option C (outside top exhaust) - Attach the mounting plate to the wall

You will need:

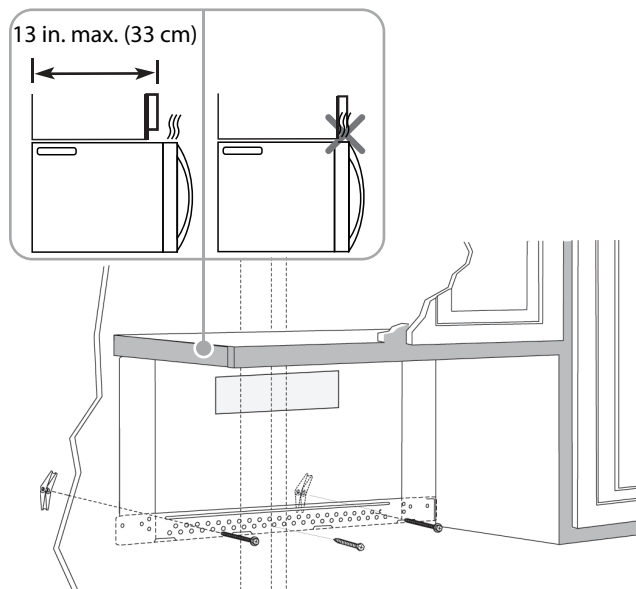
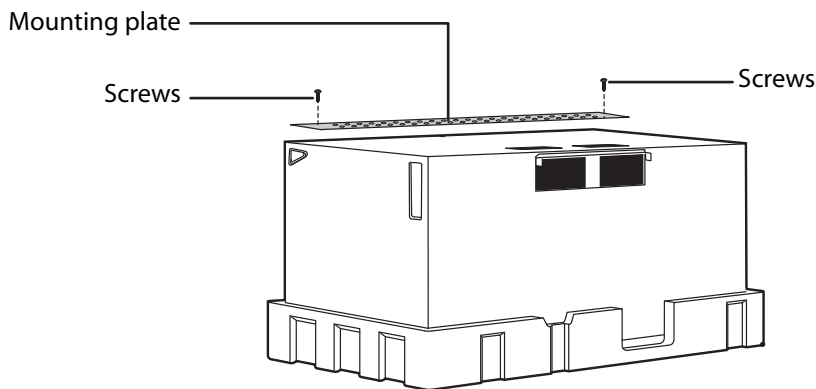


At least one wood screw must be used to attach the plate to a wall stud.

Notes:

- If the cabinet depth including the cabinet doors is more than 13 in. (33 cm) then the unit must be spaced out from the wall using adequate materials supporting 150 lbs. (68 kg) to allow for proper top vent air exhaust/intake.
- Make sure that the screws for the blower motor and blower plate are securely tightened when they are reinstalled. This will help to prevent excessive vibration.
- Make sure that the motor wiring has been properly routed and secured, and that the wires are not pinched.

- 1 Remove the mounting plate from the back of the microwave oven, then reinstall the screws into the holes where they were removed.



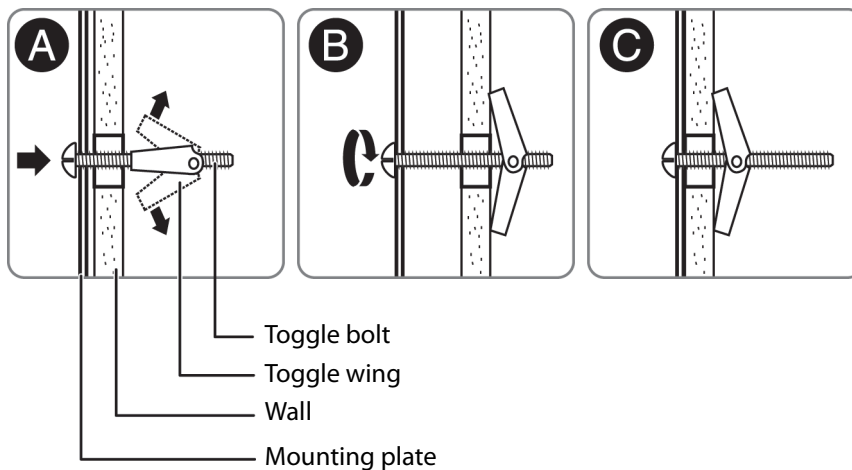
- 2 Remove the toggle wings from the bolts.
- 3 Insert the toggle bolt(s) through the front of the mounting plate into the hole(s) that are not going into a stud, and then attach the toggle wings 3/4 in. (19 mm) onto each bolt. Hold your mounting plate up to the holes in your wall to identify the correct position.

- 4 Place the mounting plate against the wall and insert the toggle wings into the holes you drilled in the drywall. Pull the mounting plate away from the wall to help tighten the toggle wings.

Note: Before tightening the toggle bolts and the wood screw, make sure that the bottom of the mounting plate touches the bottom of the cabinet when pushed flush against the wall and that the plate is properly centered under the cabinet.

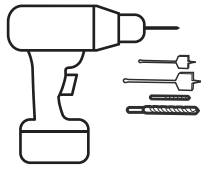
- 5 Insert wood screw(s) through the mounting plate and into the hole(s) drilled in the stud(s), then tighten both the wood screw(s) and toggle bolt(s) with a Phillips screwdriver to mount the plate. Make sure that the plate is centered before tightening fully.

Note: Be careful to avoid pinching your fingers between the back of the mounting plate and the wall.



Step 5: Option C (outside top exhaust) - Prepare the top cabinet

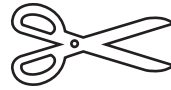
You will need:



Electric drill with 1/2" and 5/8" bits



Masking tape



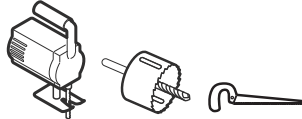
Scissors
(recessed cabinets only)



Safety goggles



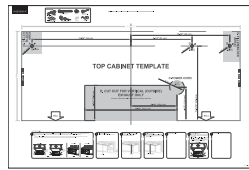
Tape measure or ruler



Saw (saber, hole, or keyhole)



Filler blocks or scrap wood pieces
(for recessed cabinets only)



Top Cabinet Template

You need to drill holes for the top support screws and a hole large enough for the power cord to fit through.

- 1 Turn off the power to the outlet in the cabinet.
- 2 Remove everything from the cabinet.
- 3 Trim the *Top Cabinet Template* along the dotted line.

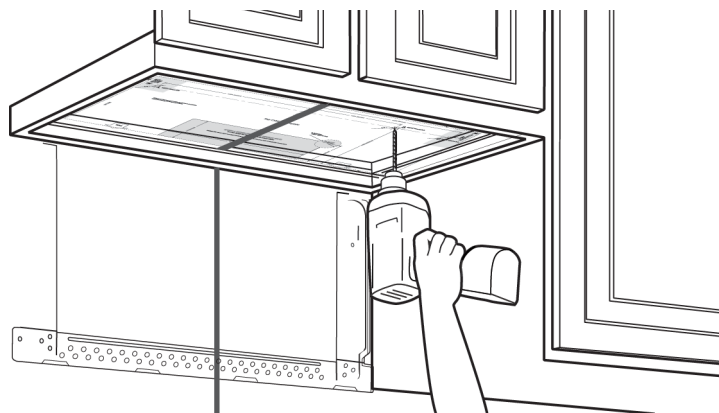
Notes:

- Make sure that you keep the left and right sides even. For example, if you need to trim the sides by 1 in., cut 1/2 in. from the left side and 1/2 in. from the right side.
- Some cabinets have a small bracket or glue block between the overhang and the underside of the cabinet bottom. Cut the template to fit around these so it lies flat on the bottom of the cabinet.

- 4 To position the *Top Cabinet Template*:

- Align the center line on the template with the center line that you drew on the wall.
- Align the back edge of the template to the rear wall (smooth or flat bottom cabinets) or to the back of the recess (recessed cabinets) to make sure that the holes cut into the upper cabinet align with the holes in the top of the microwave.

Note: Adjust the *Top Cabinet Template* accordingly if the microwave oven needs to be spaced out from the rear wall due to the cabinet depth (including the cabinet doors) being more than 13 in. (33 cm).



Center line

- 5 Tape the template to the bottom of the cabinet.

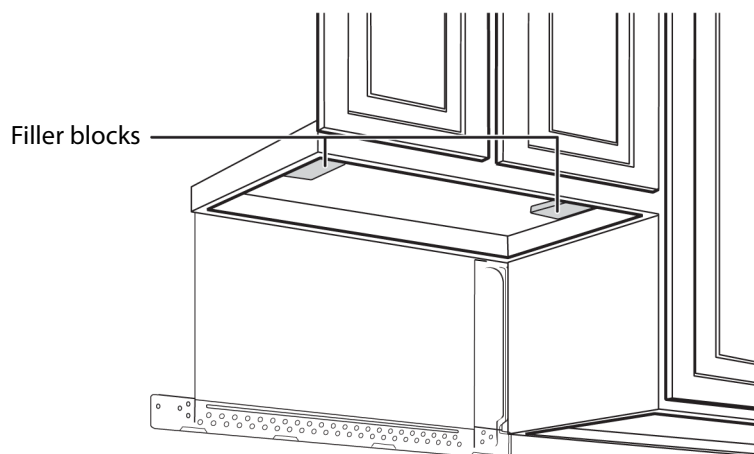
CAUTION

Wear safety goggles when drilling holes in the cabinet bottom.

- 6 Drill 3/8 in. holes through the template at points **A** and **B**.
- 7 Cut a 2 in. (5 cm) diameter hole at point **C** for the power cord.
- 8 Cut out shaded area **D** through the bottom of the cabinet.

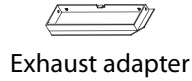
Note: This hole must align with the exterior vent piping that was pre-installed per page 8 requirements.

- 9 Remove the template and turn off the power to the outlet in the cabinet.
- 10 If you have recessed cabinets:
 - Make two filler blocks out of scrap wood pieces the size of shaded areas **E** and **F**. They must be as thick as the depth of the cabinet recess.
 - Drill 3/8 in. holes in the filler blocks to align with points **A** and **B**.
 - Align the blocks with the corresponding holes in the cabinet. They should be at the same level as the bottom edge of the cabinet frame.

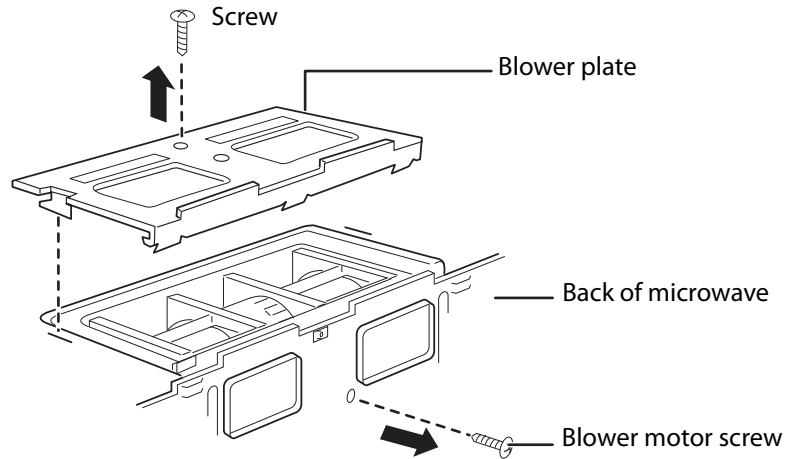


Step 6: Option C (outside top exhaust) - Insert the exhaust adapter

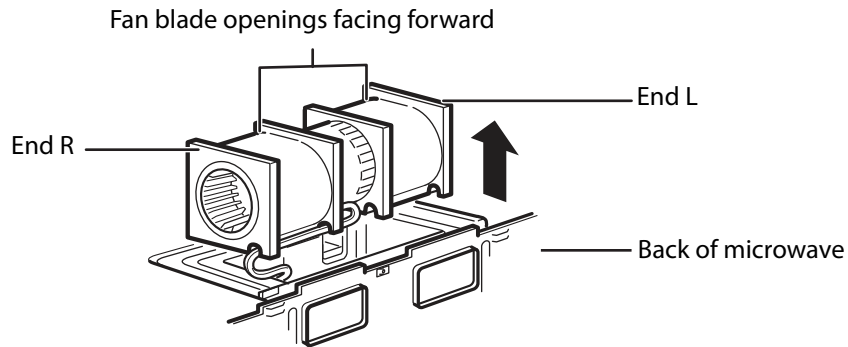
You will need:



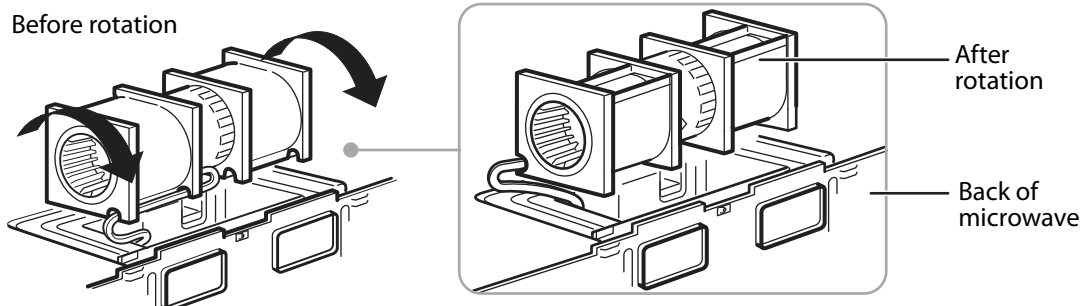
- 1 Set the microwave in its upright position, with the top facing up.
- 2 Remove the screw that holds the blower plate to the microwave, then remove the screw that secures the blower motor to the microwave.



- 3 Carefully pull out the blower unit. The wires are long enough to let you adjust the unit.

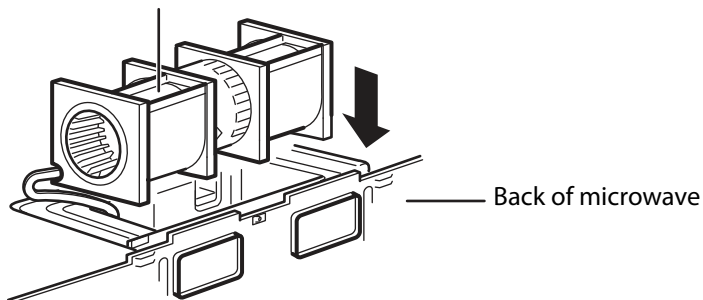


- 4 Roll the blower unit 90° so that the fan blade openings are facing out the top of the microwave.



- Place the blower unit back into the opening on the top of the microwave.

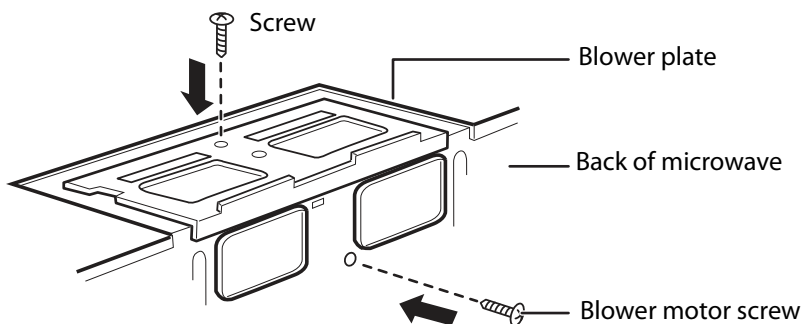
After rotation- fan blade openings facing the top of the microwave



CAUTION

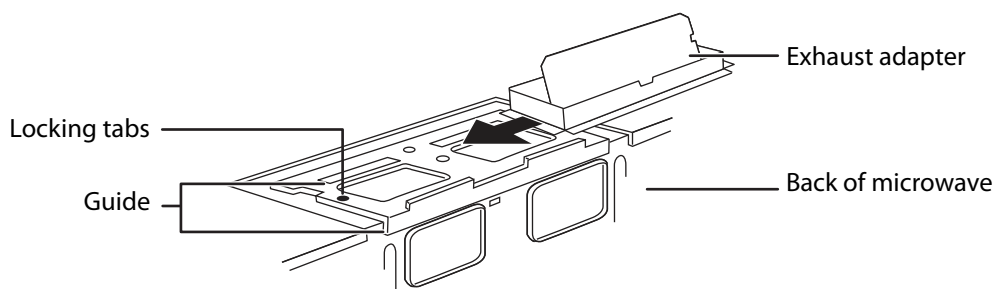
Do not pull or stretch the blower unit wiring. Make sure that the wires are not pinched and are properly secured.

- Secure the blower unit to the microwave with the screw you removed in step 2. Make sure that the screw is tight.
- Replace the blower plate and secure it with the screw you removed in step 2. Make sure that the screw is tight.



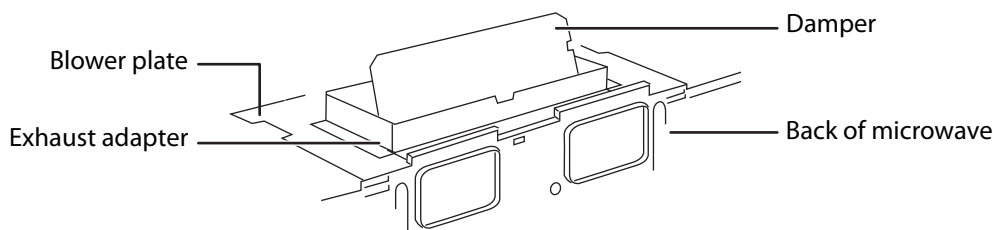
- Attach the exhaust adapter to the top of the blower plate by sliding it into the guides on the blower plate. Push it in securely until it is in the locking tabs.

Note: Make sure that the damper hinge is installed so that the damper swings freely.



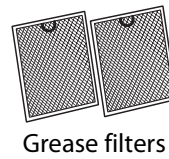
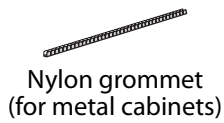
- Adjust the exhaust adapter to assure proper alignment with your house exhaust duct after the microwave is installed.

Note: Make sure that the tape is removed and that the damper pivots easily before installing the microwave.



Step 7: Option C (outside top exhaust) - Mount the microwave

You will need:



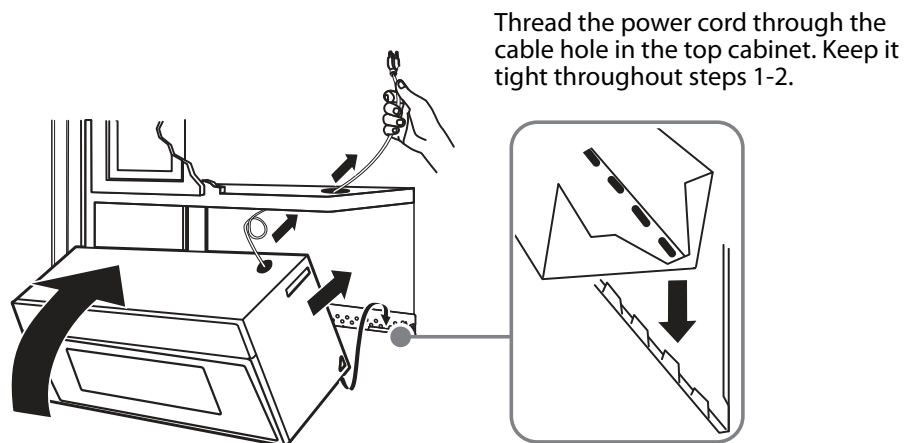
CAUTION

- For easier installation and personal safety, we recommend that two people install this product because of the weight. We highly recommend professional installation if any electrical or carpentry work is required.
- Do not grip or use the handle or heat shield during installation.
- If your cabinet is metal, insert the nylon grommet into the power cord hole to prevent cutting the cord.

- 1 Lift the microwave, tilt it forward, and hook the slots on the back bottom edge onto the four lower tabs of the mounting plate, then rotate the front of the microwave up against the bottom of the cabinet.

Notes:

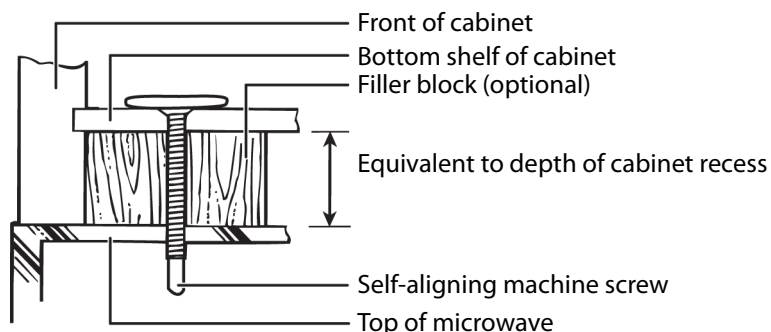
- We recommend using filler blocks if the front of the cabinet hangs below the cabinet's bottom shelf.
- If filler blocks are not used, damage may occur from over-tightening the screws.
- Be sure to keep the power cord tight.
- Do not pinch the cord, especially when mounting flush to the bottom of the cabinet.



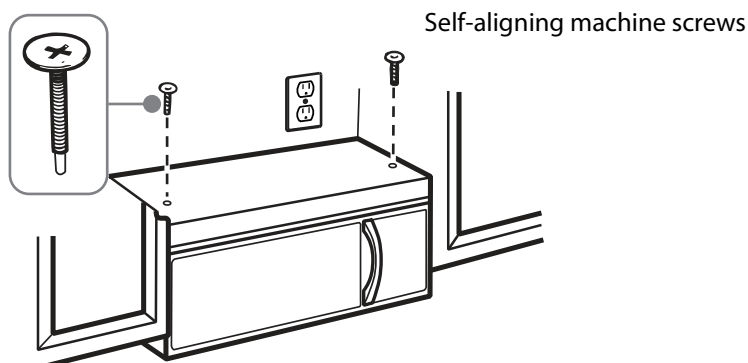
- To attach the microwave oven to the top cabinet, insert two self-aligning machine screws through the holes you drilled in the bottom of the cabinet. Turn each screw at least two full turns after the threads have engaged (they will be fully tightened later).

⚠ CAUTION

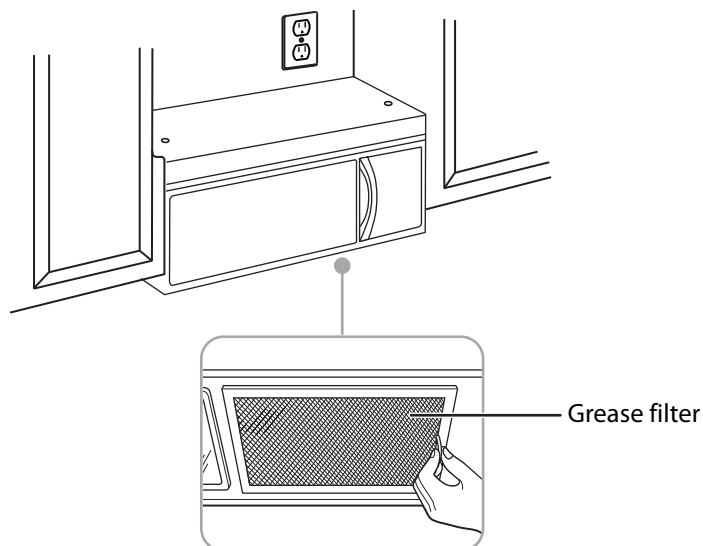
- Be sure that you keep the power cord tight.
- Be careful not to pinch the power cord, especially when mounting flush to the bottom of the cabinet.



- While holding the microwave up against the wall and cabinet, fully tighten the outer two screws.



- Fit the two grease filters into the openings underneath your microwave.



Important: Remove the cardboard spacers between the heat shield and the door.

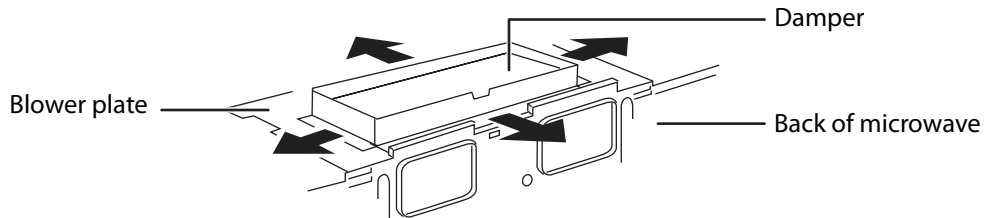
Step 8: Option C (outside top exhaust) - Connecting ductwork

You will need:

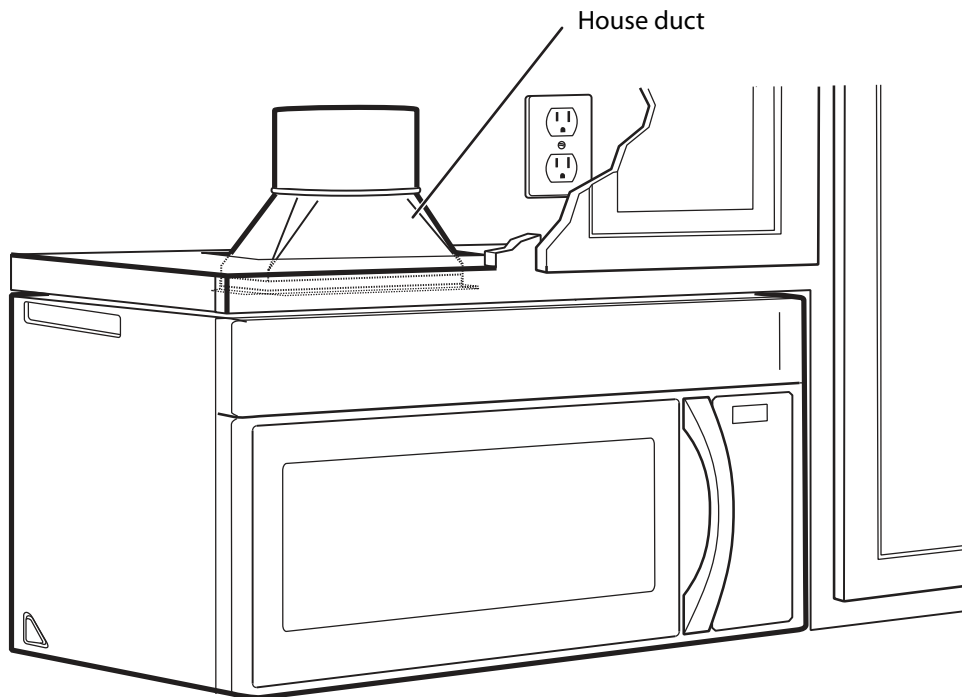


Duct tape

- 1 Open the top cabinet and slide the exhaust adapter front-to-back or side-to-side to adjust.



- 2 Extend the house duct down to connect to the exhaust adapter.



- 3 Seal the exhaust duct joints with duct tape.
- 4 You're finished! Skip to [Before using your microwave](#) on page 43.

Before using your microwave

Note: Keep these installation instructions for the local inspector's use.

- 1 Make sure that your microwave has been installed according to these instructions.
- 2 Make sure that all packing material has been removed from the microwave.
- 3 Install the turntable and ring inside your microwave. See your *User Guide* for more information.
- 4 Plug the power cord into a dedicated 15~20 amp electrical outlet.
- 5 Turn your circuit breaker back on.

Template dimensions

Rear wall template

REAR WALL TEMPLATE
PLANTILLA DE LA PARED POSTERIOR

C - LINE
LÍNEA C

AREA E / ÁREA E

30 in. (76.2 cm) MINIMUM WIDTH REQUIRED
ANCHURA MÍNIMA REQUERIDA 76.2 cm (30 pulg.)

F. CUT OUT FOR HORIZONTAL OUTSIDE EXHAUST
RECORTE F PARA ESCAPE EXTERIOR HORIZONTAL

CUT HOLE THROUGH REAR WALL FOR EXHAUST ADAPTER
CORTE UN AGUJERO EN EL FONDO DEL GABINETE PARA EL ADAPTADOR DE ESCAPE

PREPARING YOUR CABINET / PREPARACIÓN DEL ARMARIO

Top template

TOP CABINET TEMPLATE
PLANTILLA PARA GABINETE SUPERIOR

E CUT OUT FOR VERTICAL (OUTSIDE) EXHAUST ONLY
APERTURA SÓLO PARA LA SALIDA VERTICAL (EXTERIOR)

CUT HOLE THROUGH CABINET BOTTOM FOR EXHAUST ADAPTER
CORTE UN AGUJERO EN EL FONDO DEL GABINETE PARA EL ADAPTADOR DE ESCAPE

D POWER CORD / CABLE DE ALIMENTACIÓN

TOP CABINET / GABINETE SUPERIOR

WALL / PARED

Obtaining replacement parts

Call Insignia Customer Service at 1-877-467-4289.

Specifications

Model	NS-OTR17SS27/NS-OTR17WH27
Rated voltage	120VAC / 60Hz
Rated input power	1,500W
Rated output power	1,000W
Noise level	60 dB
Microwave capacity	1.7 cu. ft.
Turntable diameter	13.6 in. (34.5 cm)
External dimensions (HxWxD)	16.54 x 29.88 x 15.47 in. (42 x 75.9 x 39.3 cm)
Internal dimensions (HxWxD)	10.33 x 20.94 x 13.78 in. (26.25 x 53.2 x 35 cm)
Charcoal filter dimensions (L x W)	10.2 x 2.4 in. (26 x 6 cm)
Certifications	UL approved
Power cord length	38.6 in. (98 cm)
Weight	Net: 52.47 lbs. (23.8 kg) Gross: 60.84 lbs. (27.6 kg)

ONE-YEAR LIMITED WARRANTY

Best Buy, or its Authorized Partner of Insignia branded products, warrants to you, the original purchaser of this new Insignia branded product ("Product"), that the Product shall be free of defects in the original manufacture of the material or workmanship for a period of one (1) year from the date of your purchase of the Product or the date of delivery (if later than the date of purchase) ("Warranty Period").

For this warranty to apply, your Product must be (i) purchased in the United States or Canada from a Best Buy branded retail store, online at www.bestbuy.com or www.bestbuy.ca, or from Best Buy's Authorized Partner, and (ii) packaged or sold with this warranty statement.

The term "Best Buy", as used in this warranty, refers to Best Buy branded retail stores, www.bestbuy.com, www.bestbuy.ca, and Best Buy's Authorized Partner.

Because Insignia cannot control the quality of products sold by unauthorized sellers, this warranty applies only to Products that were purchased from Best Buy or an Insignia Authorized Partner, unless otherwise prohibited by law. Insignia reserves the right to reject warranty claims for Products purchased from unauthorized sellers, including unauthorized websites.

REPAIR OR REPLACEMENT, AS PROVIDED UNDER THIS WARRANTY, IS YOUR EXCLUSIVE REMEDY FOR BREACH OF WARRANTY. INSIGNIA SHALL NOT BE LIABLE FOR ANY INCIDENTAL OR CONSEQUENTIAL DAMAGES FOR THE BREACH OF ANY EXPRESSED OR IMPLIED WARRANTY ON THIS PRODUCT, INCLUDING, BUT NOT LIMITED TO, LOST DATA, LOSS OF USE OF YOUR PRODUCT, LOST BUSINESS, OR LOST PROFITS. INSIGNIA PRODUCTS MAKES NO OTHER EXPRESS WARRANTIES WITH RESPECT TO THE PRODUCT. ALL EXPRESSED AND IMPLIED WARRANTIES FOR THE PRODUCT, INCLUDING BUT NOT LIMITED TO ANY IMPLIED WARRANTIES OF AND CONDITIONS OF MERCHANTABILITY AND FITNESS FOR A PARTICULAR PURPOSE, ARE LIMITED IN DURATION TO THE WARRANTY PERIOD SET FORTH ABOVE AND NO WARRANTIES, WHETHER EXPRESSED OR IMPLIED, WILL APPLY AFTER THE WARRANTY PERIOD. SOME STATES, PROVINCES, AND JURISDICTIONS DO NOT ALLOW LIMITATIONS ON (i) HOW LONG AN IMPLIED WARRANTY LASTS, (ii) EXCLUSION OR LIMITATION OF INCIDENTAL OR CONSEQUENTIAL DAMAGES, or (iii) LIMITATION OF INCIDENTAL OR CONSEQUENTIAL DAMAGES, SO THE ABOVE LIMITATIONS OR EXCLUSIONS MAY NOT APPLY TO YOU. THIS WARRANTY GIVES YOU SPECIFIC LEGAL RIGHTS, AND YOU MAY ALSO HAVE OTHER RIGHTS, WHICH VARY FROM STATE TO STATE OR PROVINCE TO PROVINCE.

How long does the coverage last?

The Warranty Period lasts for 1 year (365 days) from the date you purchased the Product or the date of delivery (if later than the date of purchase). Your purchase date is printed on the receipt you received with the Product. In the event that Authorized Partner ceases to sell the covered Insignia branded product, this warranty shall terminate for that product and there shall be no repair or replacement of the Product.

What does this warranty cover?

During the Warranty Period, if the original manufacture of the material or workmanship of the Product is determined to be defective by an authorized Insignia repair center or store personnel, Insignia will (at its sole option): (1) repair the Product with new or rebuilt parts; or (2) replace the Product at no charge with new or rebuilt comparable products or parts. Products and parts replaced under this warranty become the property of Insignia and are not returned to you. If service of Products or parts are required after the Warranty Period expires, you must pay all labor and parts charges. This warranty lasts as long as you own your Insignia Product during the Warranty Period. Warranty coverage terminates if you sell or otherwise transfer the Product.

How to obtain warranty service?

If you purchased the Product at a Best Buy retail store location or from a Best Buy online website (www.bestbuy.com or www.bestbuy.ca), please take your original receipt and the Product to any Best Buy store. Make sure that you place the Product in its original packaging or packaging that provides the same amount of protection as the original packaging. If you purchased your Product from an Authorized Partner, call Insignia at 1-877-467-4289.

To obtain warranty service, in the United States and Canada call 1-877-467-4289. Call agents may diagnose and correct the issue over the phone.

If you purchased the Product from an Authorized Partner other than Best Buy, please call 1-888-BESTBUY in the United States or 1-866-BESTBUY in Canada. You will be asked to provide proof of purchase and to return your Product to Best Buy. Make sure that you put the Product in its original packaging or packaging that provides the same amount of protection as the original packaging.

Where is the warranty valid?

This warranty is valid only in the United States and Canada to the original purchaser of the product from an Authorized Partner, in the country where the original purchase was made.

What does the warranty not cover?

This warranty does not cover:

- Food, beverage, and or medicine loss/spoilage.
- Damage to other products caused by a power surge or other similar issue while connected to the Product.
- Customer instruction/education.
- Installation.
- Set up adjustments.
- Cosmetic damage.
- Damage due to weather, lightning, and other acts of God, such as power surges.
- Accidental damage.
- Misuse.
- Abuse.
- Negligence.
- Commercial purposes/use, including but not limited to use in a place of business or in communal areas of a multiple dwelling condominium or apartment complex, or otherwise used in a place of other than a private home.
- Modification of any part of the Product, including the antenna.
- Display panel damaged by static (non-moving) images applied for lengthy periods (burn-in).
- Damage due to incorrect operation or maintenance.
- Connection to an incorrect voltage or power supply.
- Damage due to attempted repair by any person not authorized by Insignia to service the Product.
- Products sold "as is" or "with all faults".
- Consumables, including but not limited to batteries (i.e. AA, AAA, C etc.).
- Products where the factory applied serial number has been altered or removed.
- Loss or Theft of this product or any part of the product.
- Display panels containing up to three (3) pixel failures (dots that are dark or incorrectly illuminated) grouped in an area smaller than one tenth (1/10) of the display size or up to five (5) pixel failures throughout the display. (Pixel based displays may contain a limited number of pixels that may not function normally).
- Failures or Damage caused by any contact including but not limited to liquids, gels or pastes.

Contact Insignia:

1-877-467-4289

www.insigniaproducts.com

INSIGNIA is a trademark of Best Buy and its affiliated companies.

*Distributed by Best Buy Purchasing, LLC

7601 Penn Ave South, Richfield, MN 55423 U.S.A.

©2026 Best Buy. All rights reserved

INSIGNIA™

For product inquiries, please contact us with the information below:

1-877-467-4289

www.insigniaproducts.com



INSIGNIA is a trademark of Best Buy and its affiliated companies.

Distributed by Best Buy Purchasing, LLC

Richfield, MN 55423

©2026 Best Buy. All rights reserved.

V3 ENGLISH
26-0112