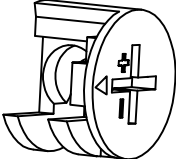


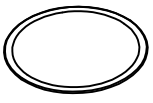
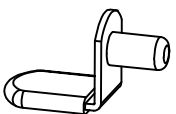
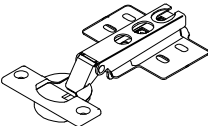

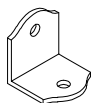

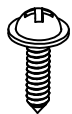
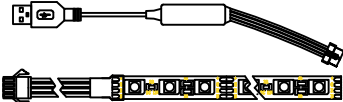
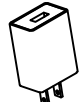

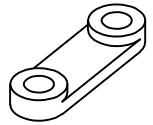

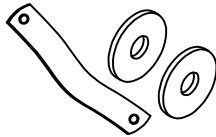
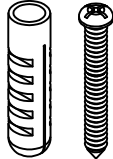




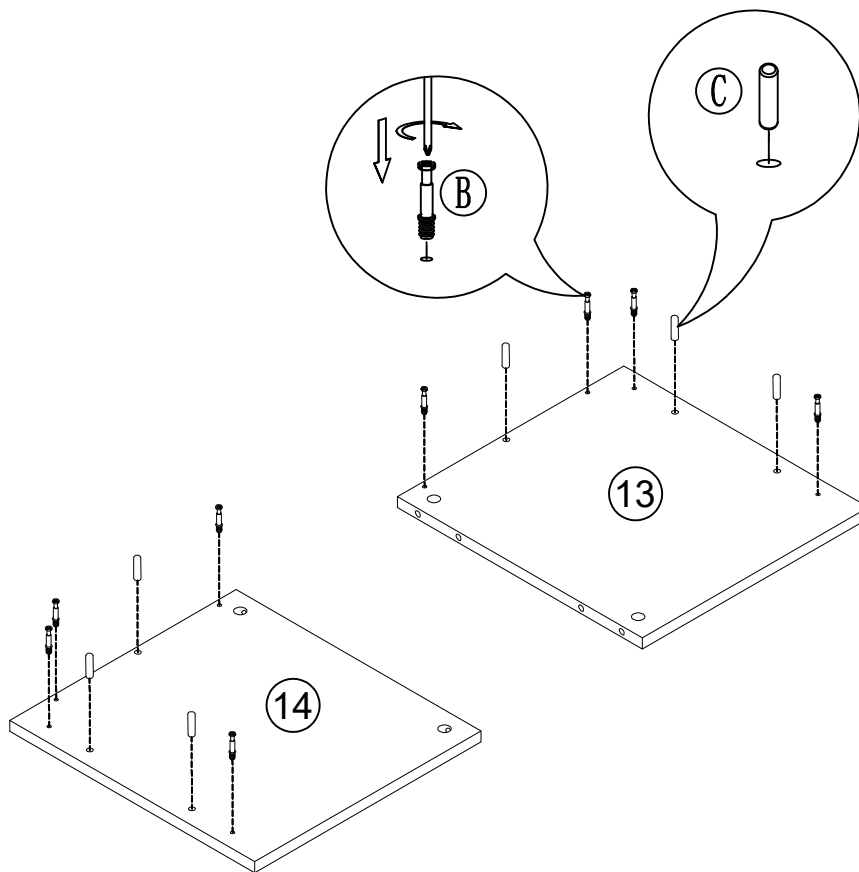
CODR	DESCRIPTION	QTY
1	Panel	1
2	Upper middle partition	1
3	Fixed shelves	1
4	Left side panel	1
5	Right side plate	1
6	Side panel upper flaps	2
7	Lower left middle partition	1
8	Lower right partition	1
9	Partition stops	2
10	Small movable shelves	2
11	Large movable shelves	1
12	Door	2
13	Left bottom plate	1
14	Right bottom plate	1
15	Midsole plate	1
16	Back strip	1
17	Front strip	1
18	Side support strips	2
19	Side rear support strips	2
20	Upper backplate	1
21	Lower back plate	2

# PACKAGE CONTENT


<p>(A)</p> <p>Ø15</p>  <p>54X+4X</p>	<p>(B)</p>  <p>54X+4X</p>	<p>(C)</p> <p>Ø8x30mm</p>  <p>46X+4X</p>	<p>(D)</p>  <p>54X+4X</p>
<p>(E)</p>  <p>12X</p>	<p>(F)</p>  <p>4X</p>	<p>(G)</p> <p>Ø3.9x15mm</p>  <p>24X+2X</p>	<p>(H)</p>  <p>6X</p>
<p>(I)</p> <p>Ø3.9x15mm</p>  <p>12X+1X</p>	<p>(J)</p> <p>Ø3.5x16mm</p>  <p>31X+3X</p>	<p>(K)</p>    <p>1X</p>	<p>(L)</p>  <p>6X</p>
<p>(M)</p> <p>Ø2.9x12mm</p>  <p>12X+1X</p>	<p>(N)</p>  <p>2X</p>	<p>(O)</p>  <p>2X</p>	

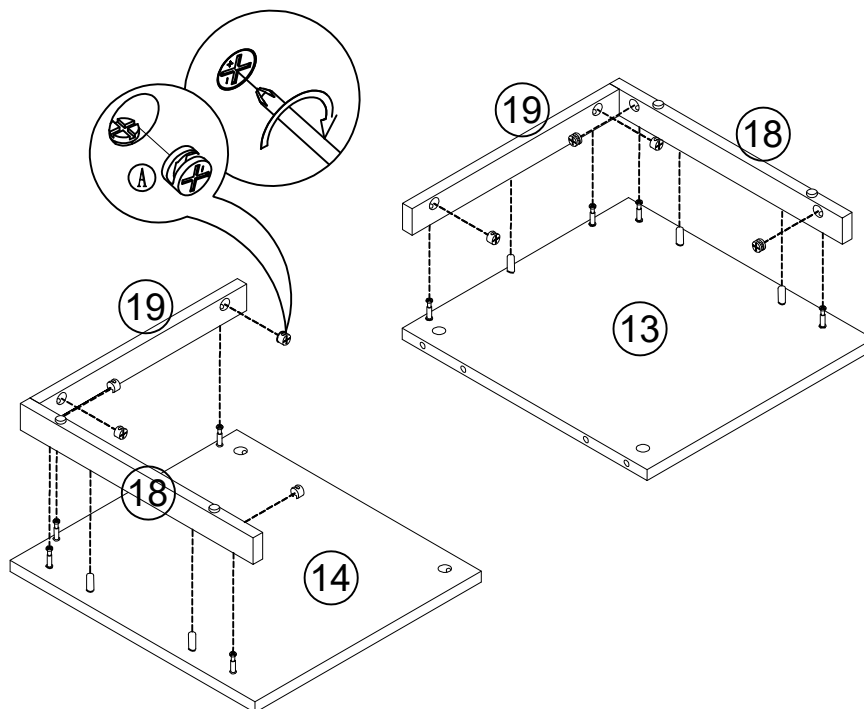
# Step 1

B		8
C		6





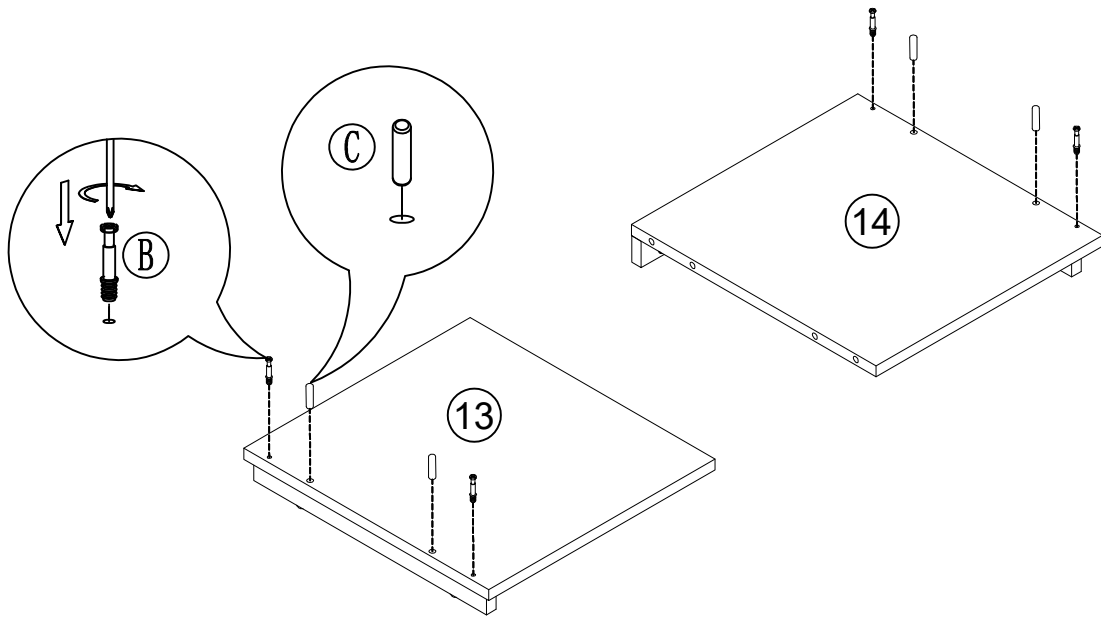
# Step 2

A		8
---	---	---





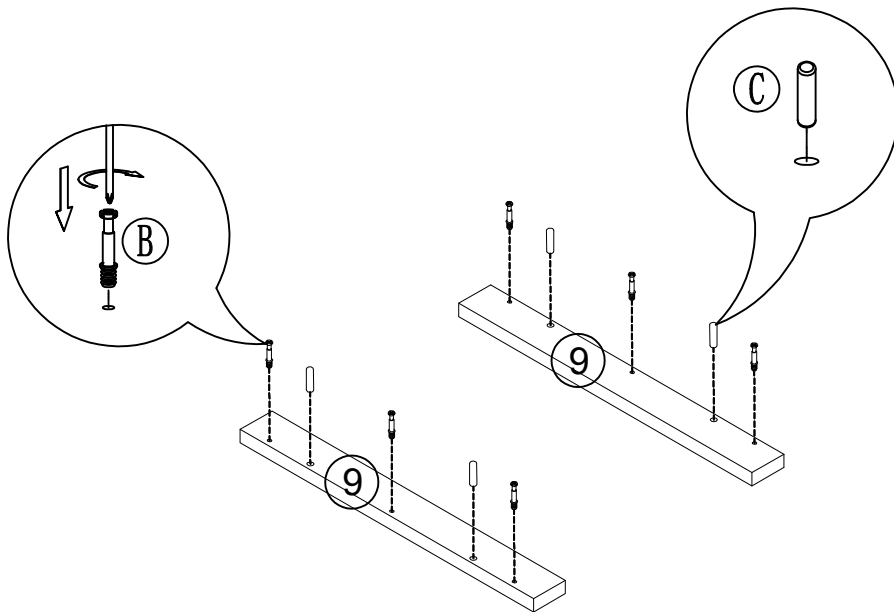
# Step 3

B		4
C		4





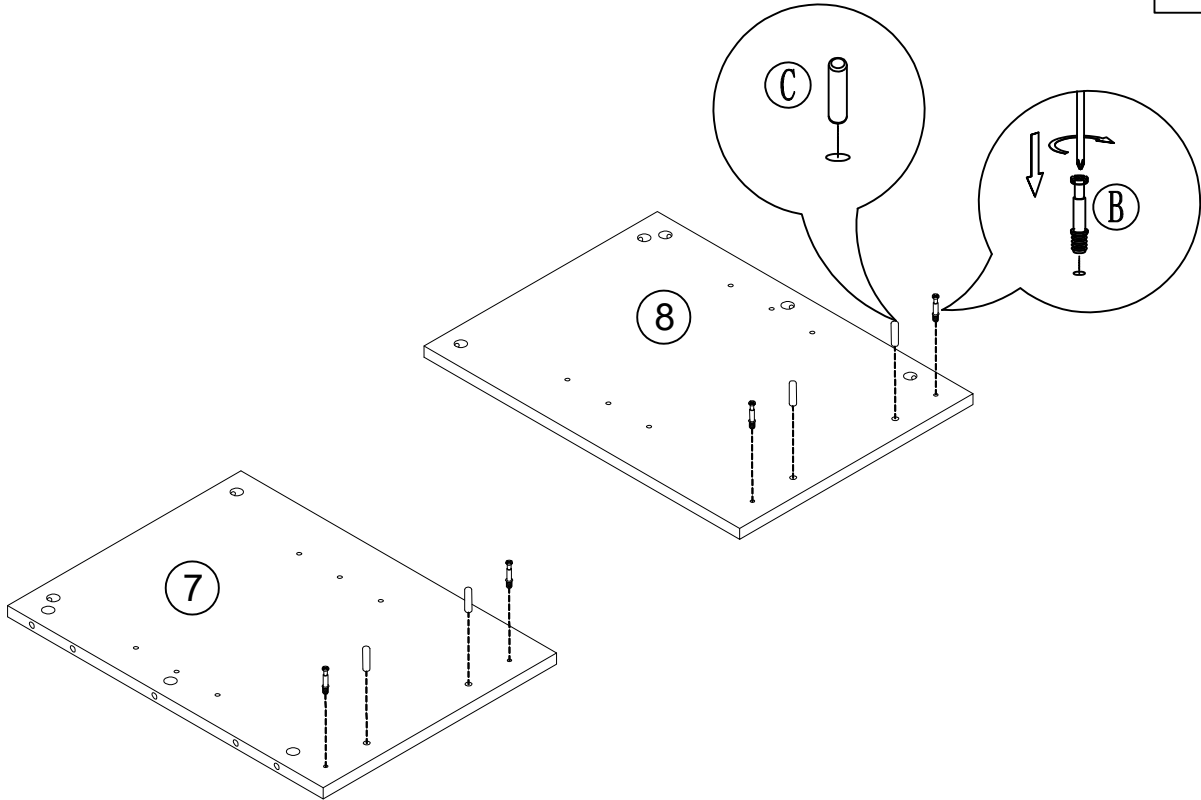
# Step 4

B		6
C		4




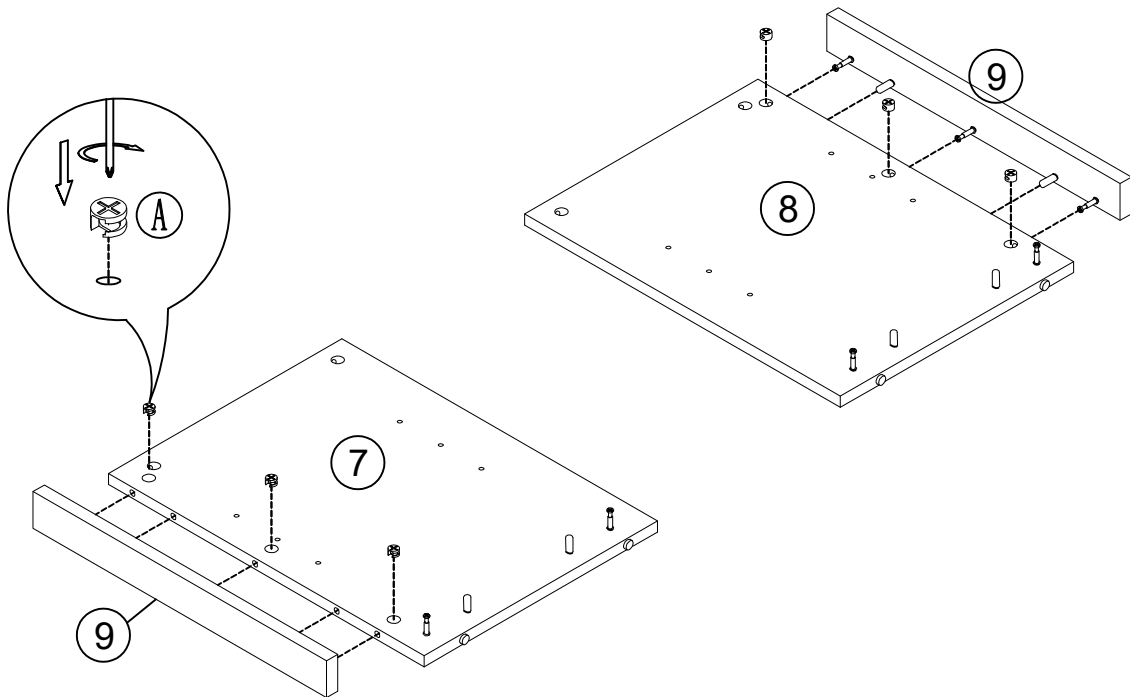
# Step 5

B		4
C		4





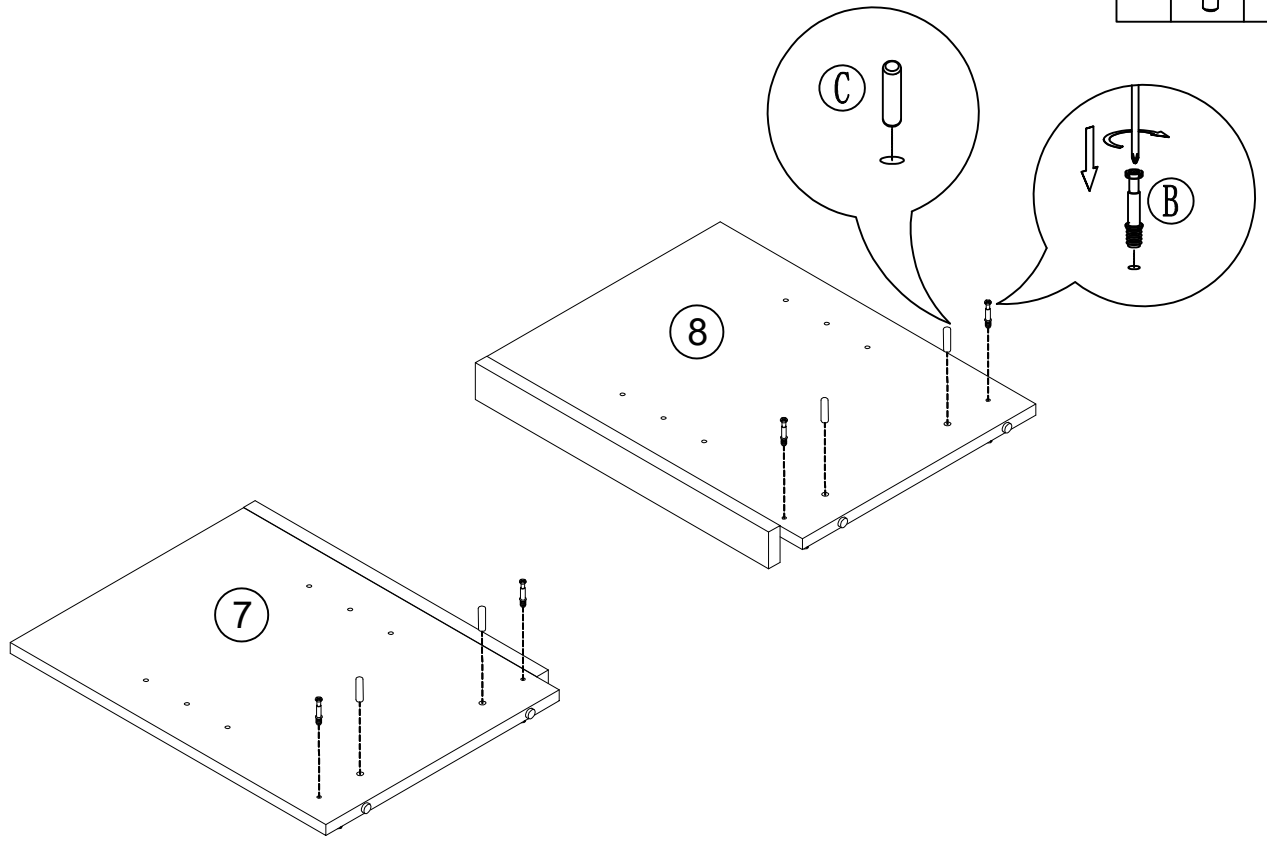
# Step 6

A		6
---	---	---




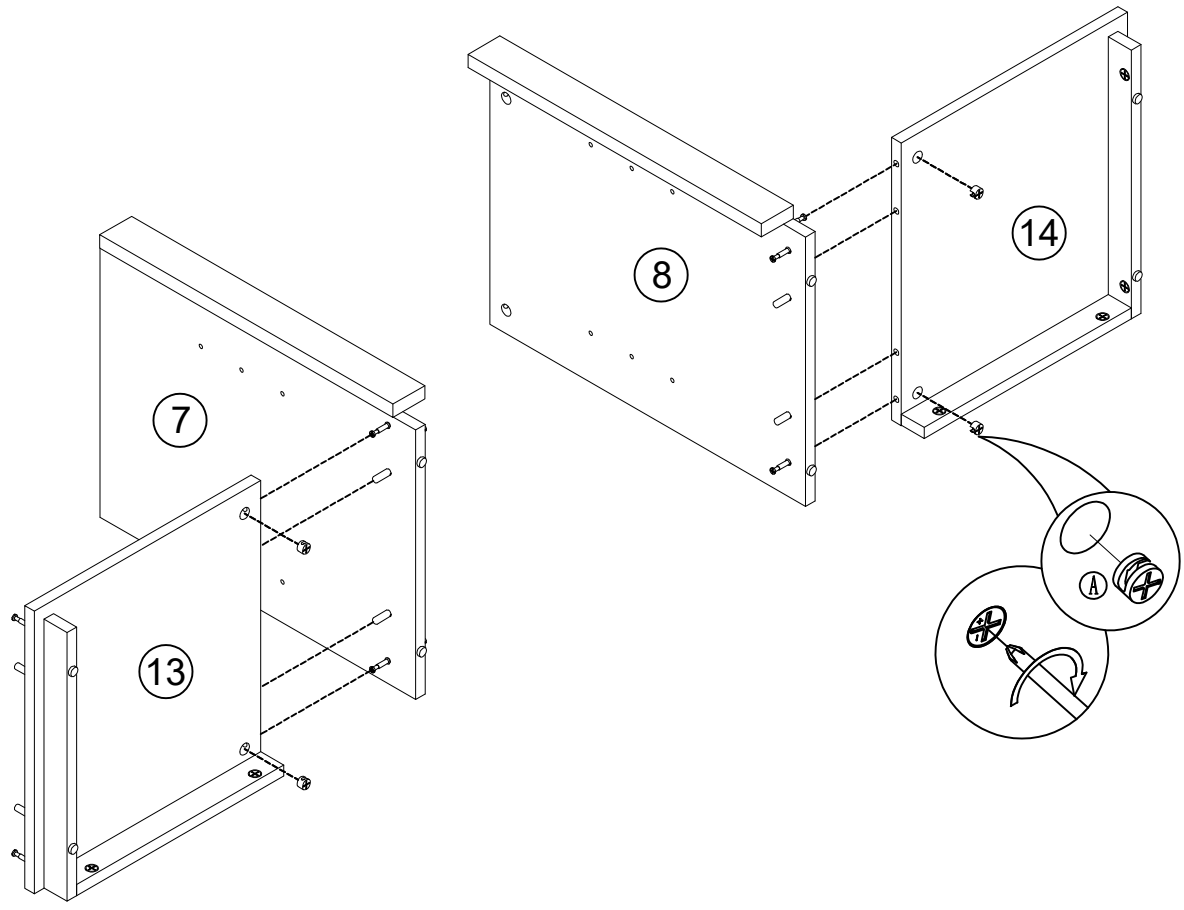
# Step 7

B		4
C		4


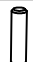


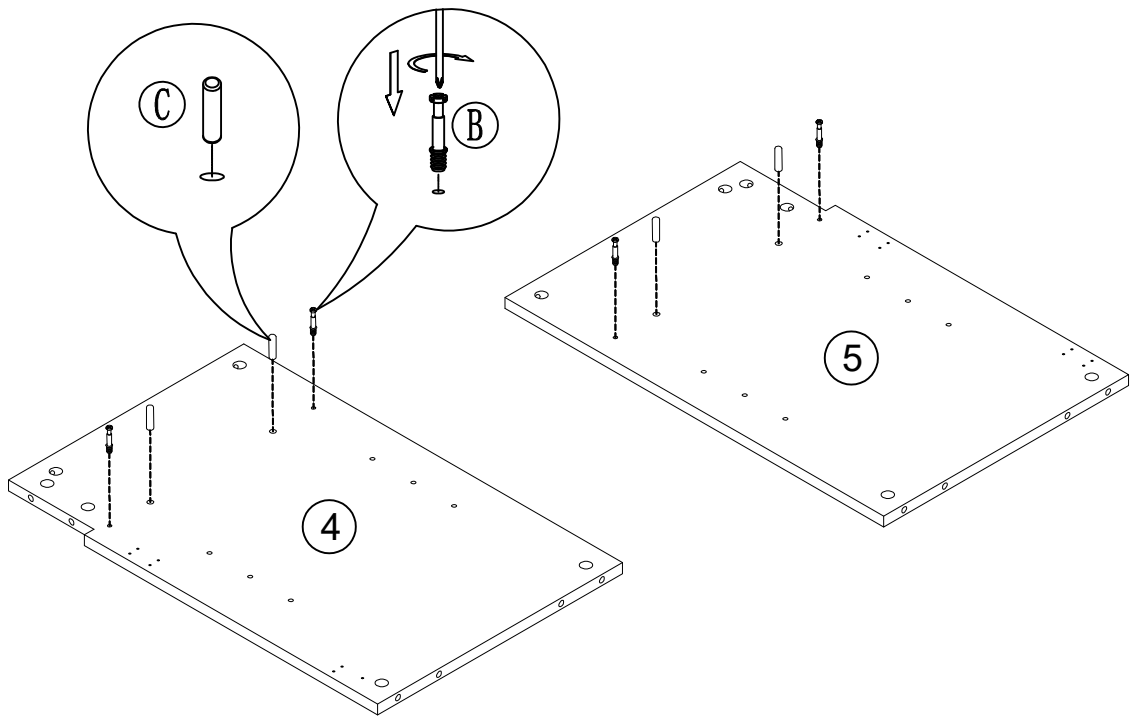
# Step 8

A		4
---	---	---




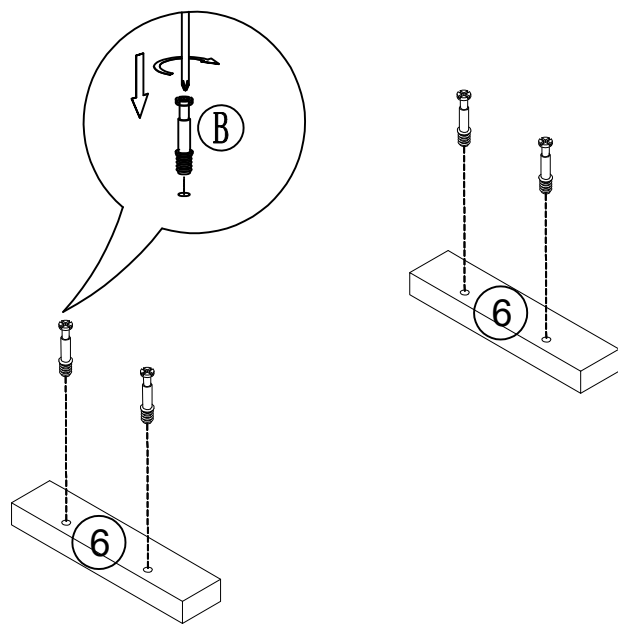
# Step 9

B		4
C		4



# Step 10

B		4
---	---	---

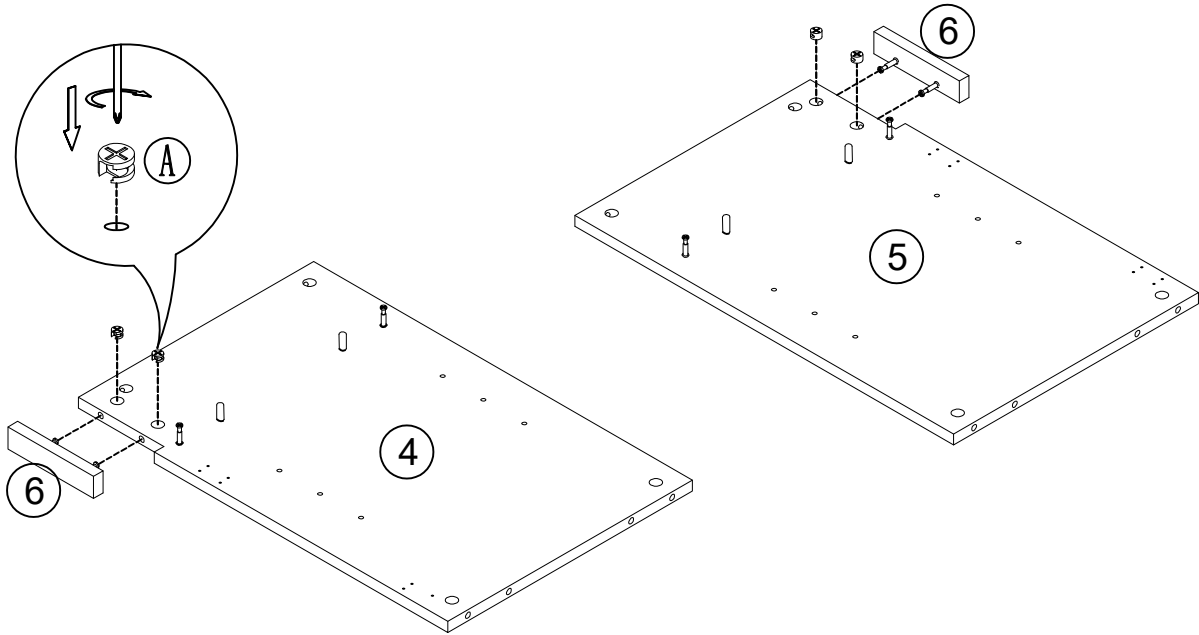


# Step 11

A



4



# Step 12

B

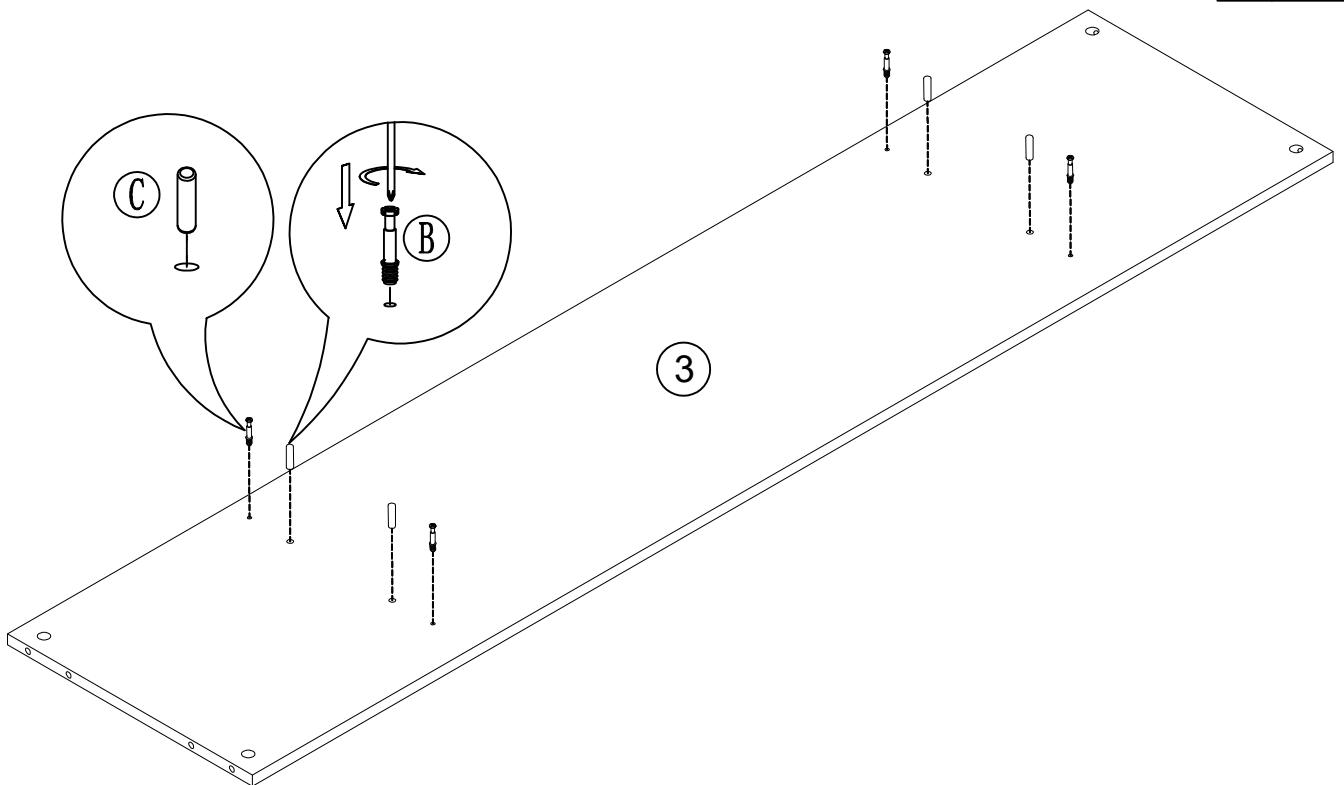


4


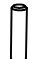
C

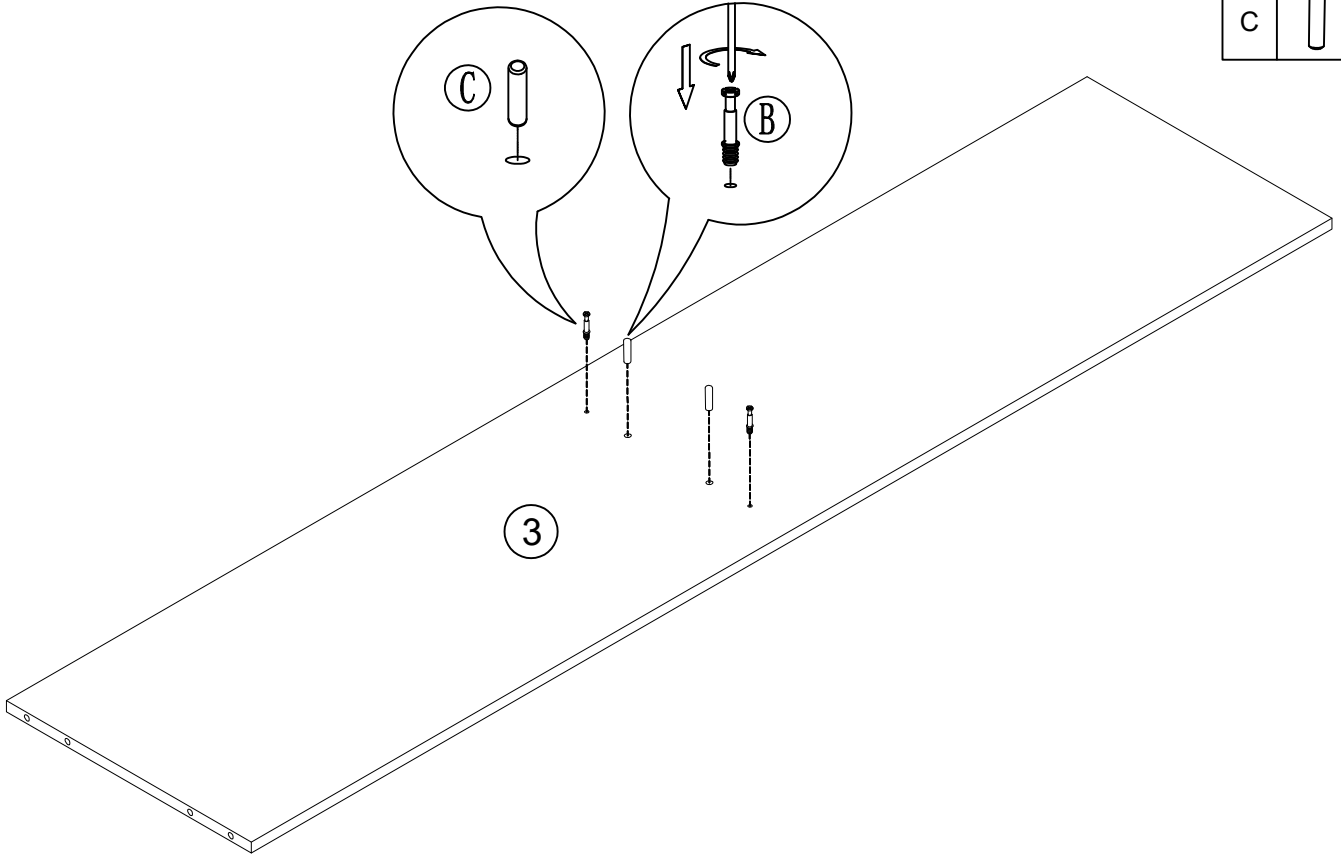


4




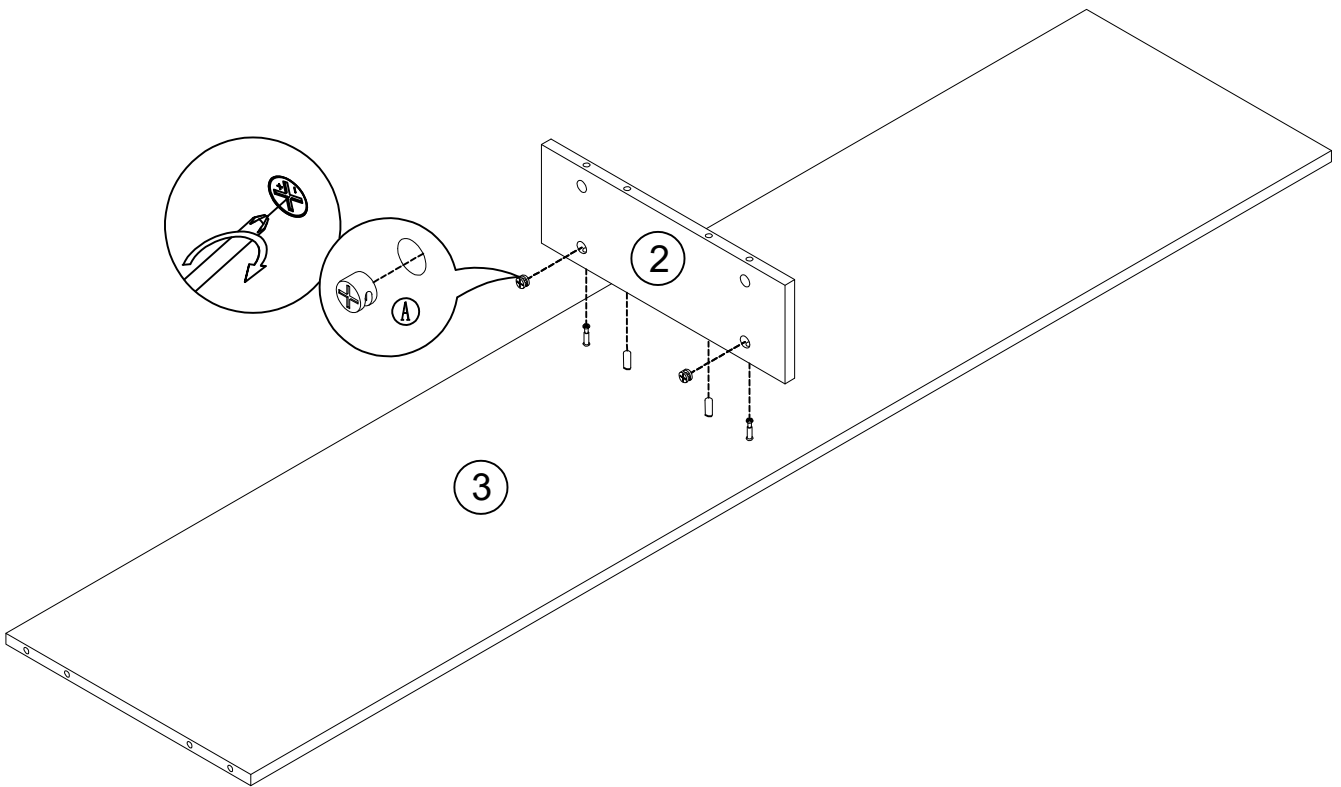
# Step 13

B		2
C		2




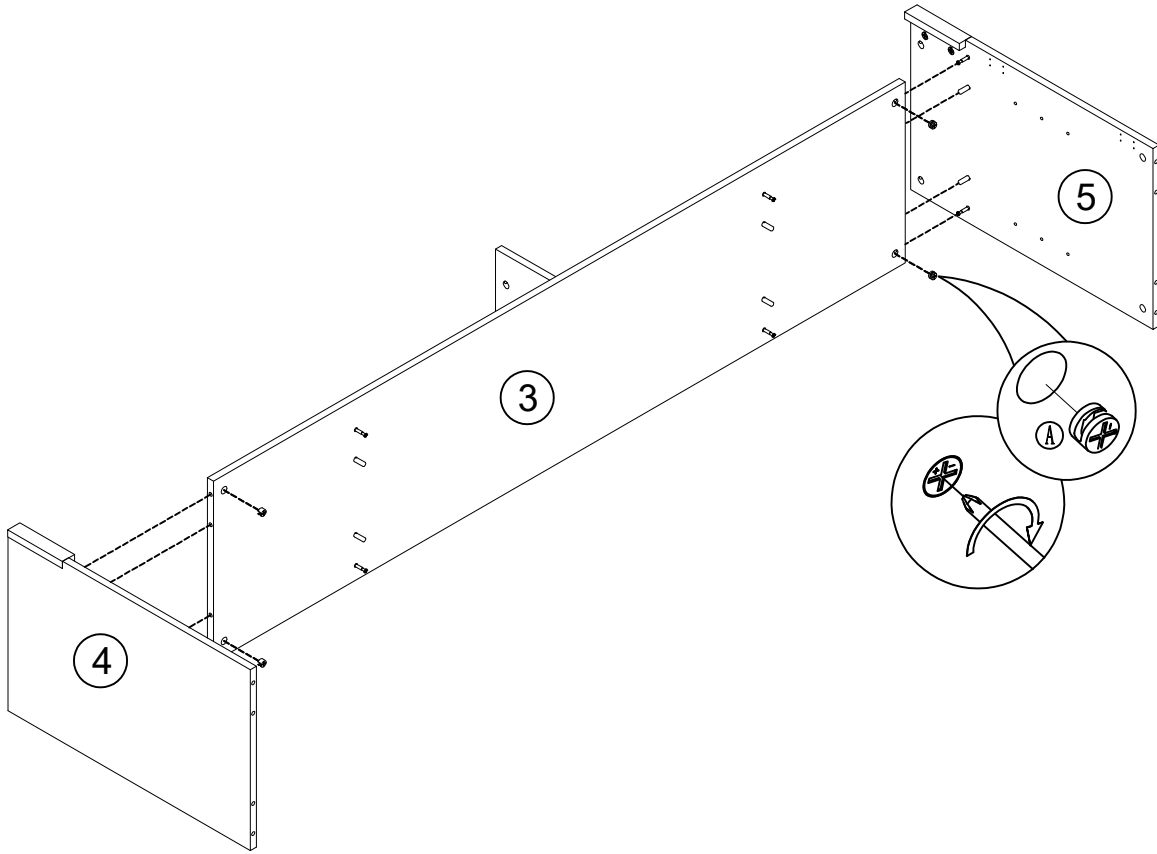
# Step 14

A		2
---	---	---


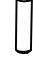


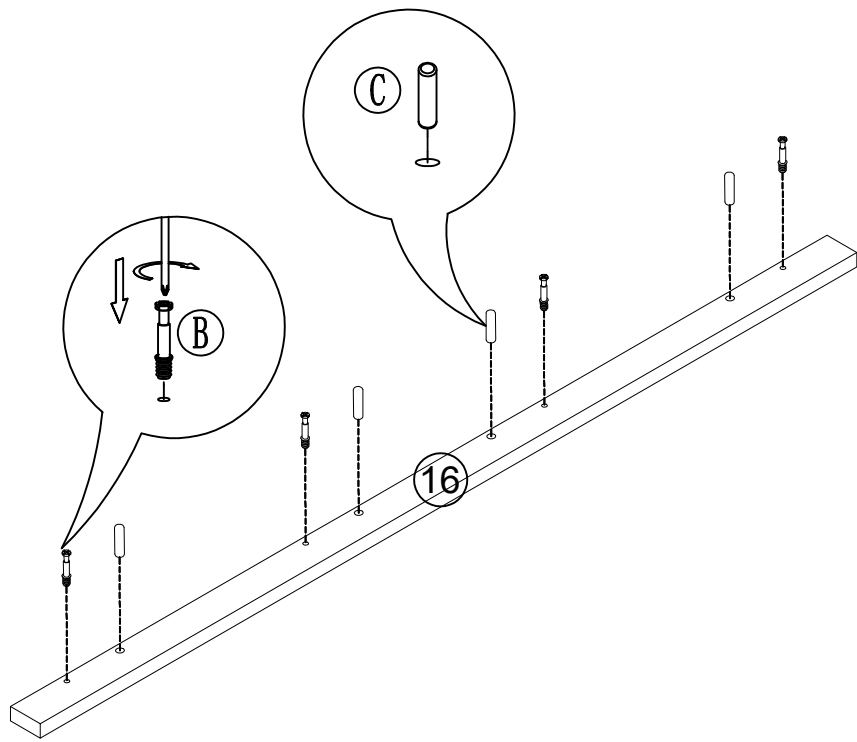
# Step 15

A		4
---	---	---



# Step 16

B		4
C		4

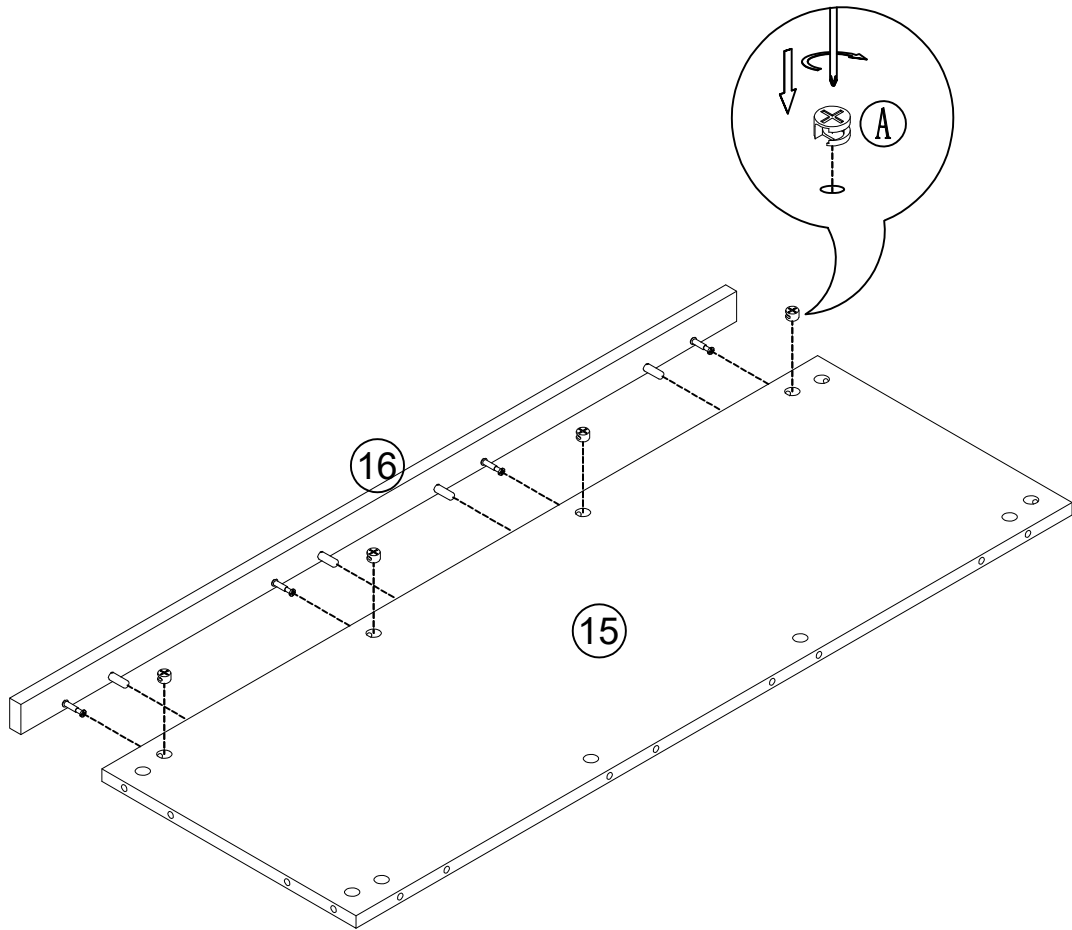


# Step 17

A



4

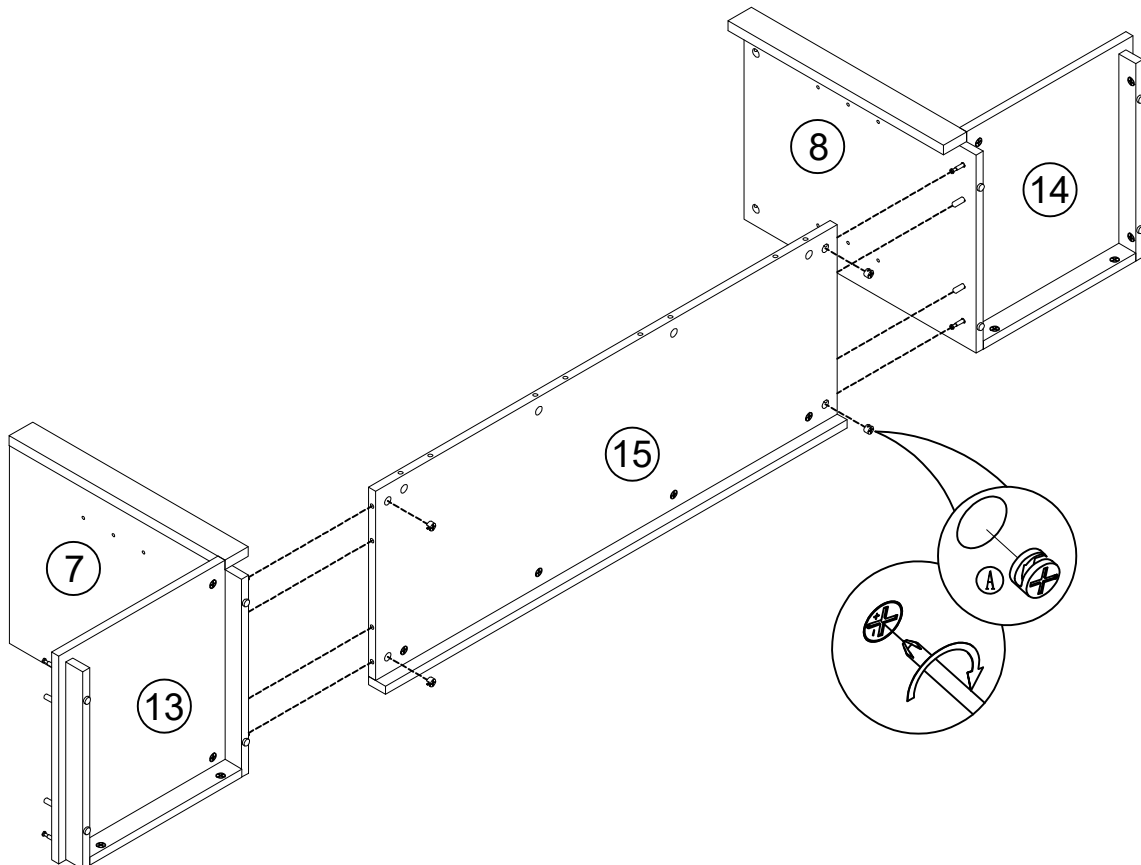


# Step 18

A

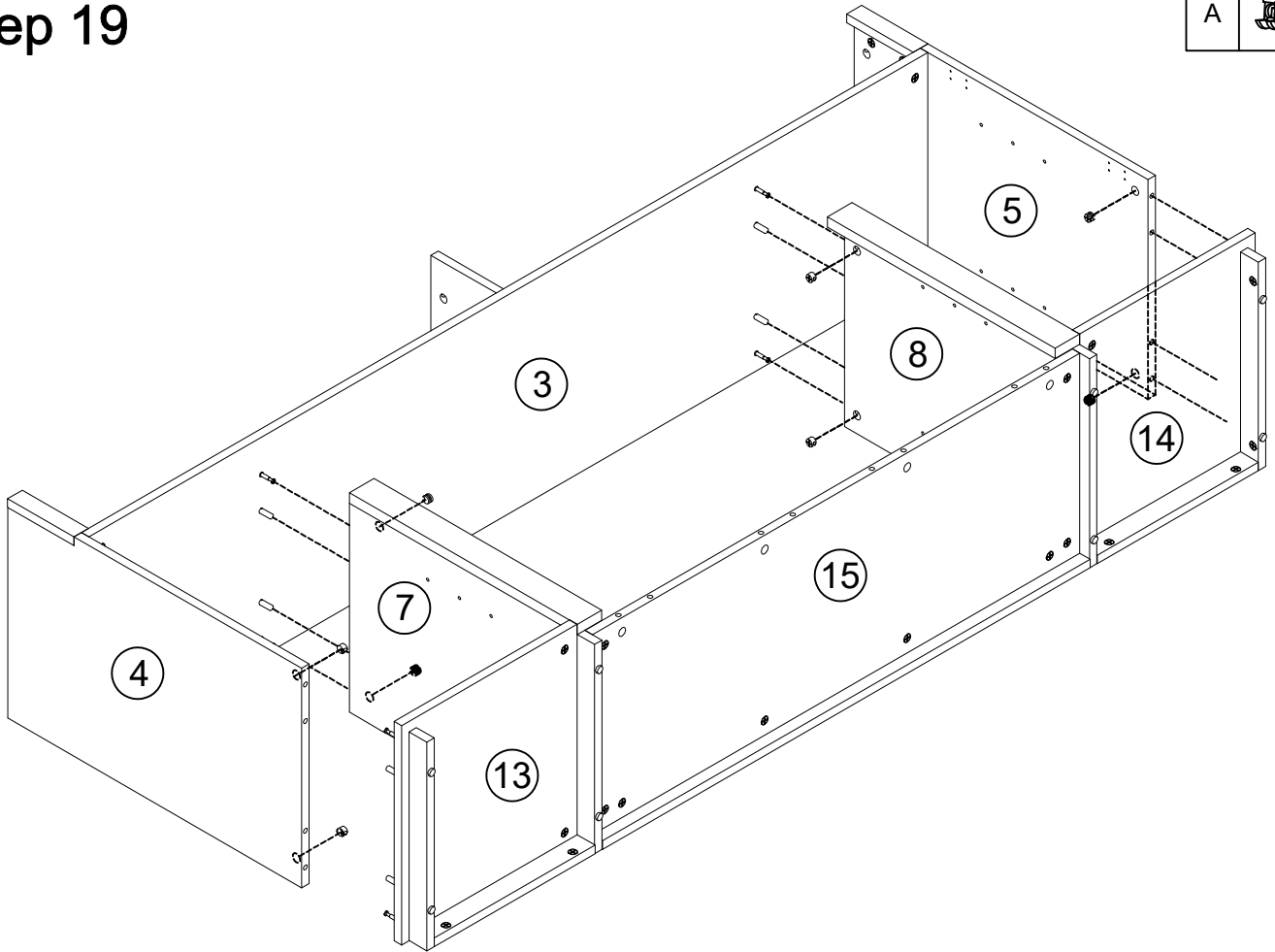


4


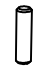




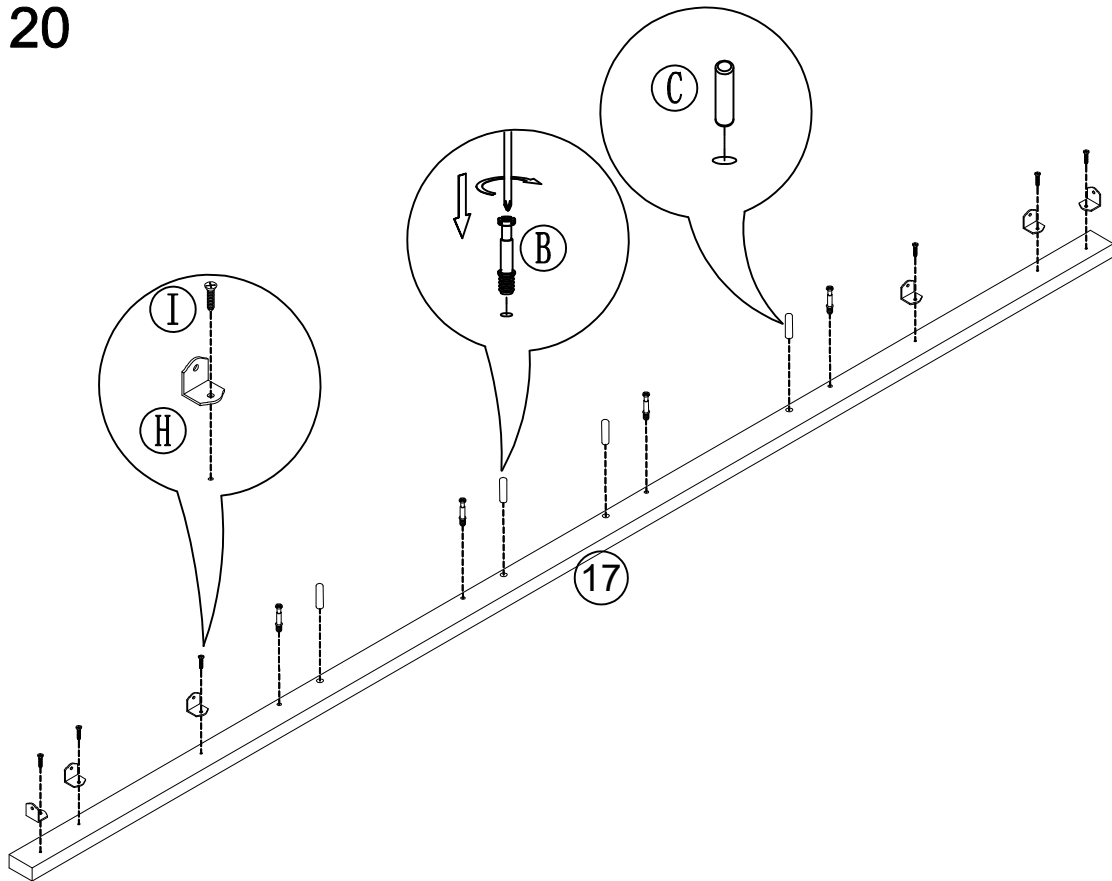
# Step 19

A  8



# Step 20

B		4
C		4
H		6
I		6

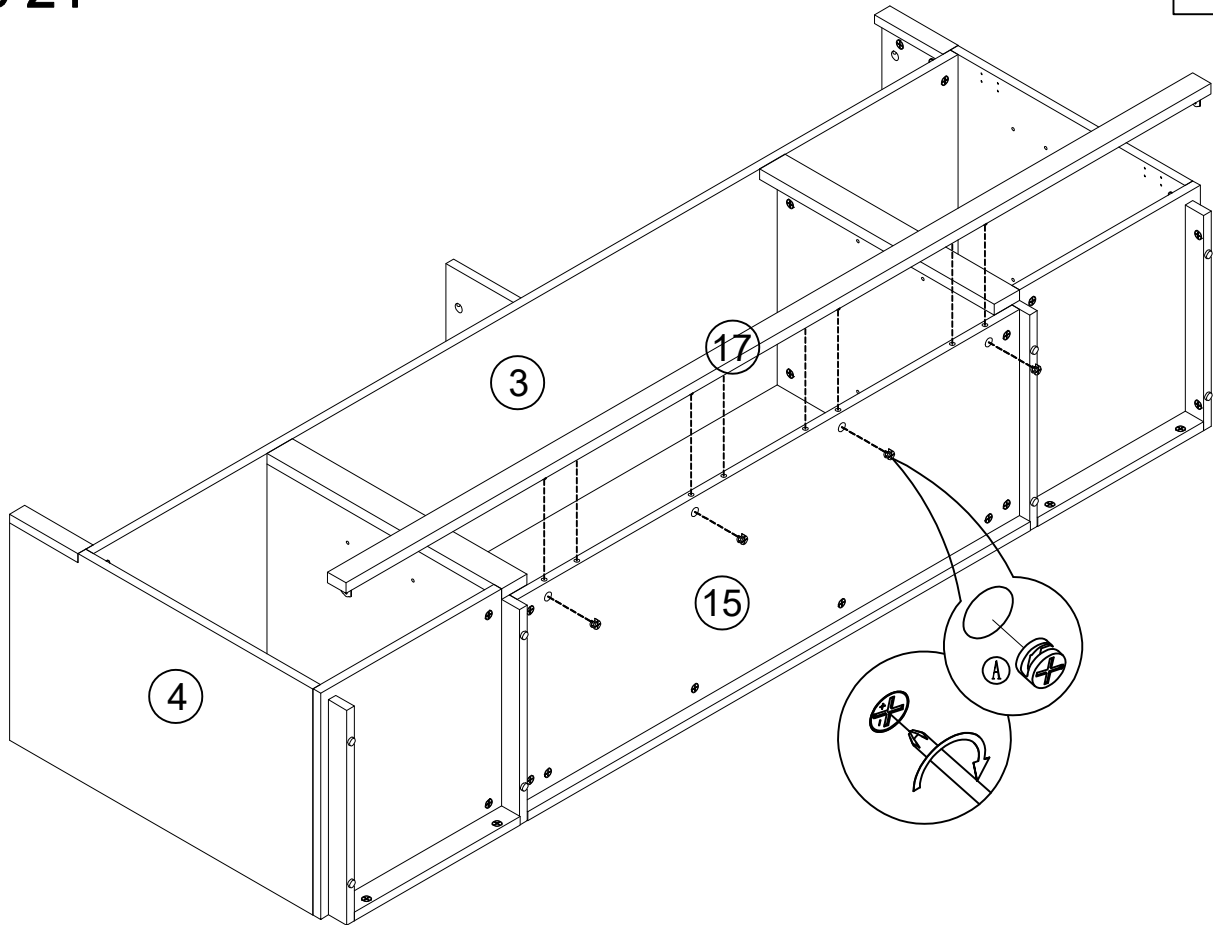


# Step 21

A



4

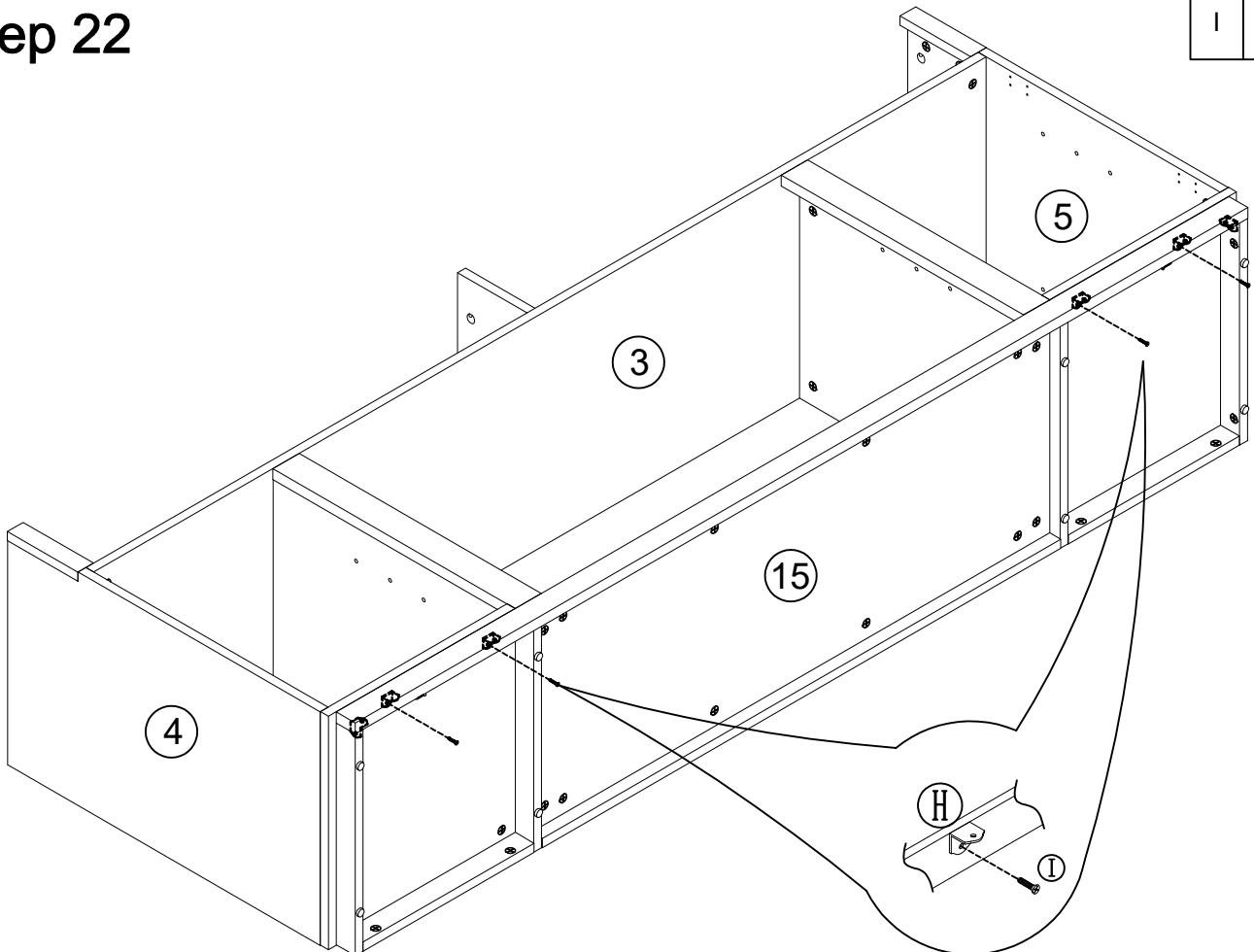


# Step 22

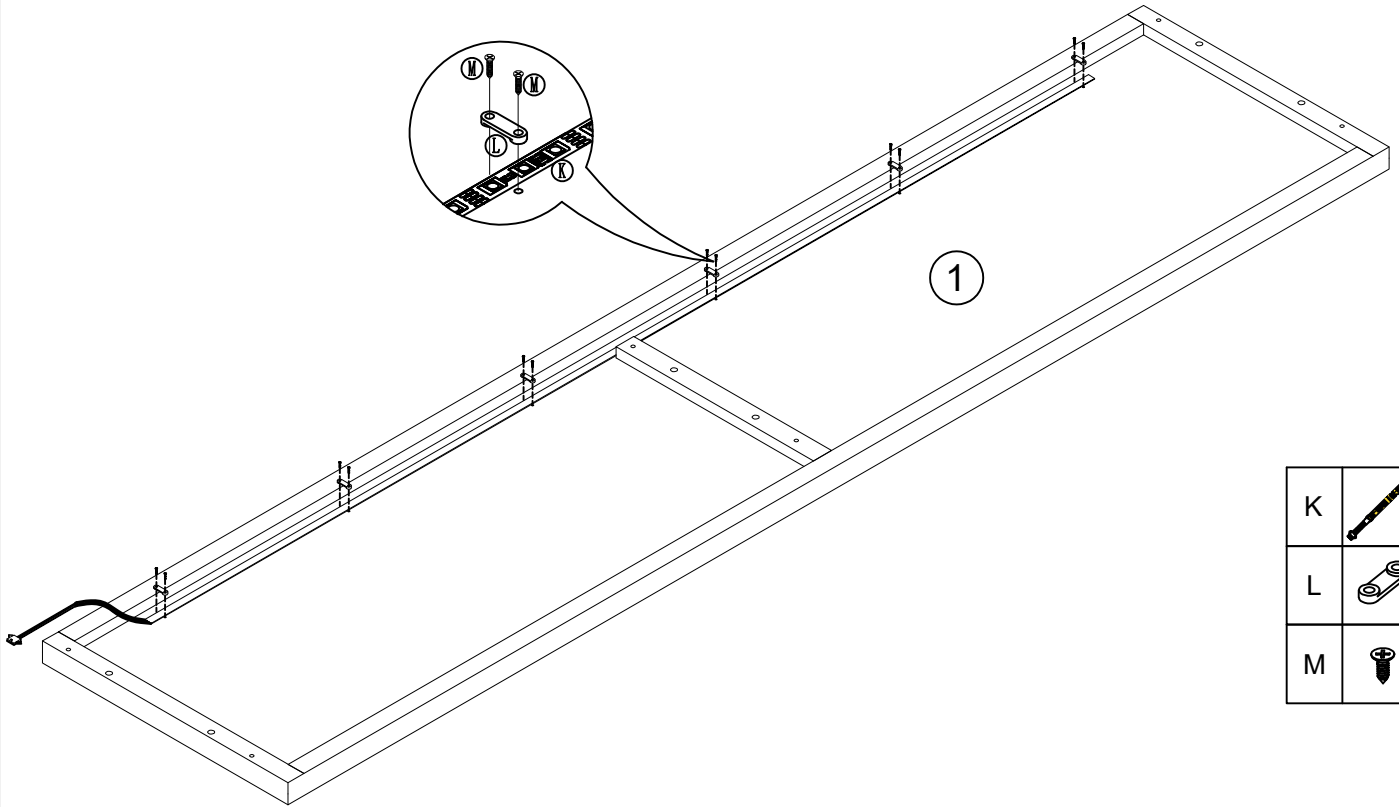
I






6

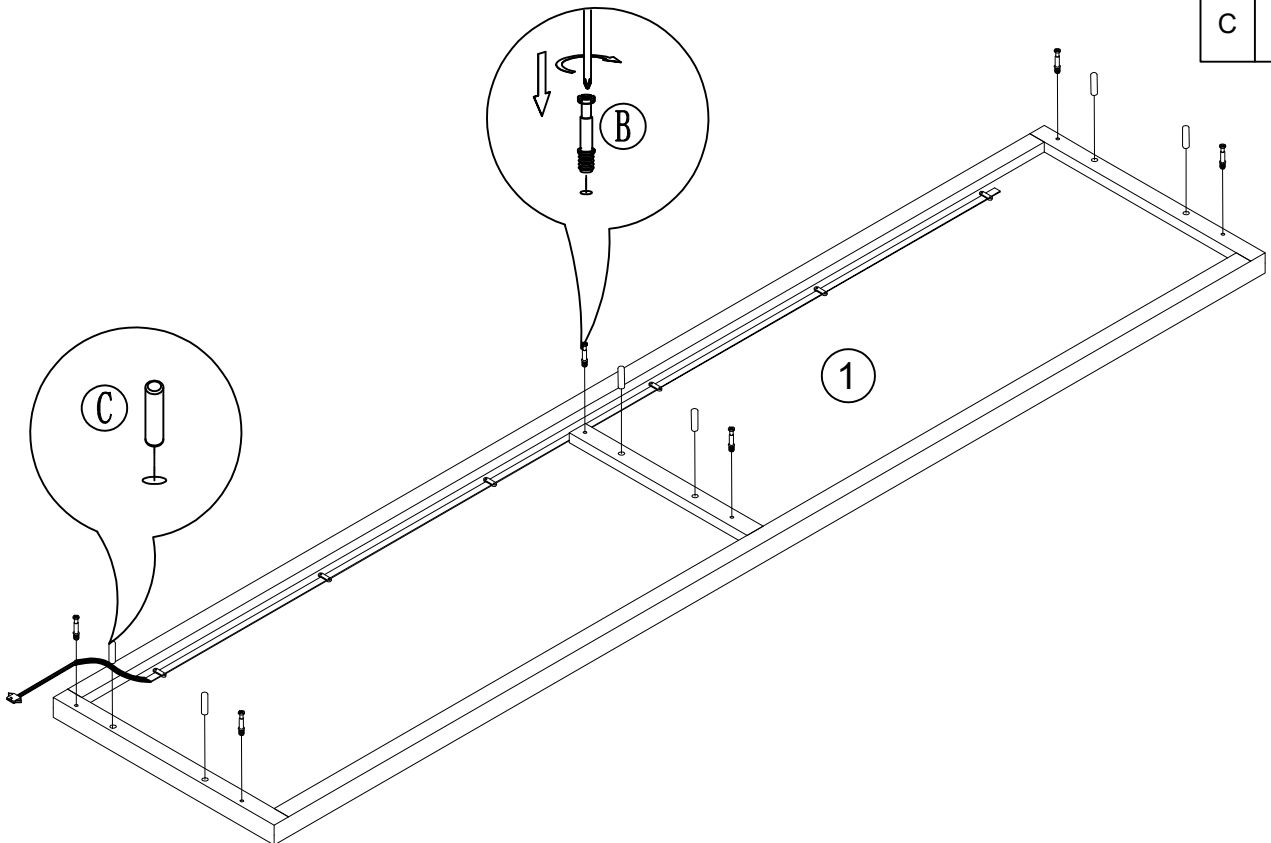



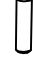
# Step 23



K		1
L		6
M		12

# Step 24



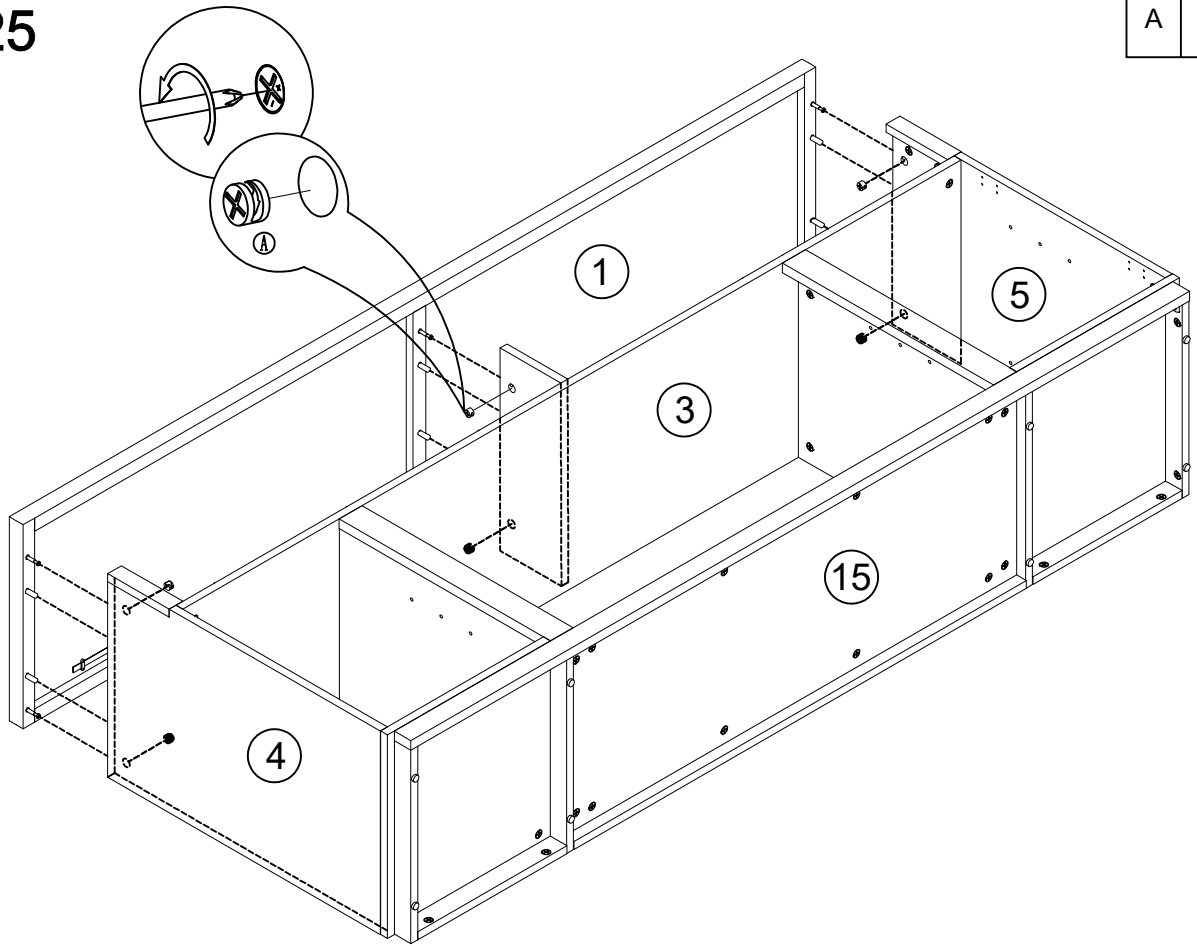
B		6
C		6

# Step 25

A



6

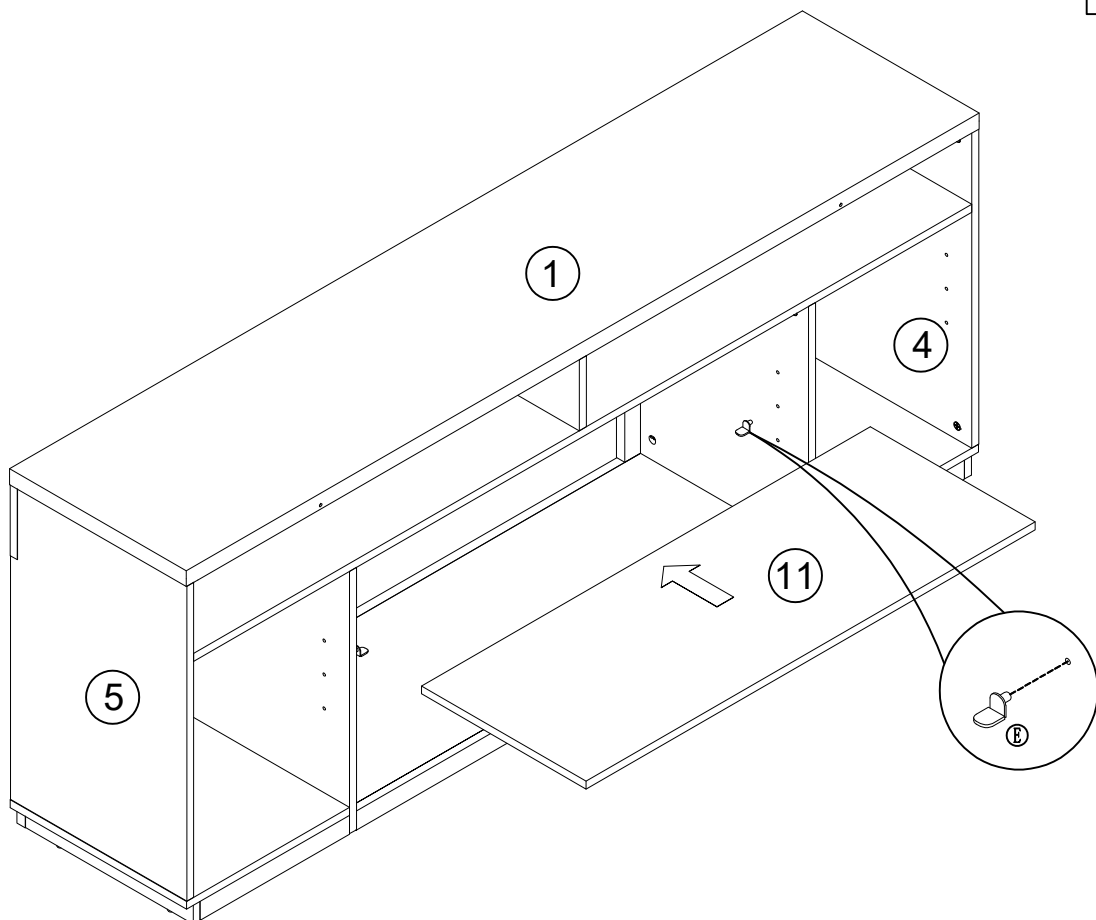


# Step 26

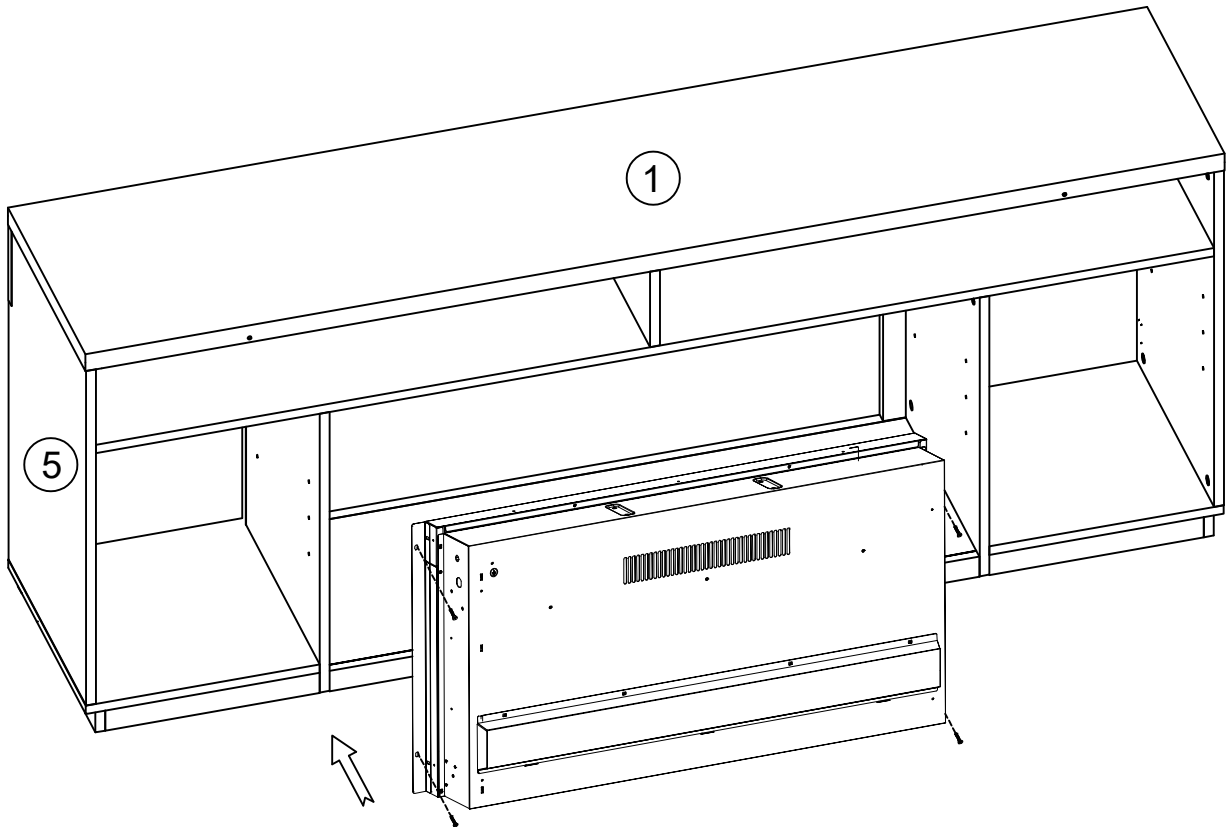
E



4

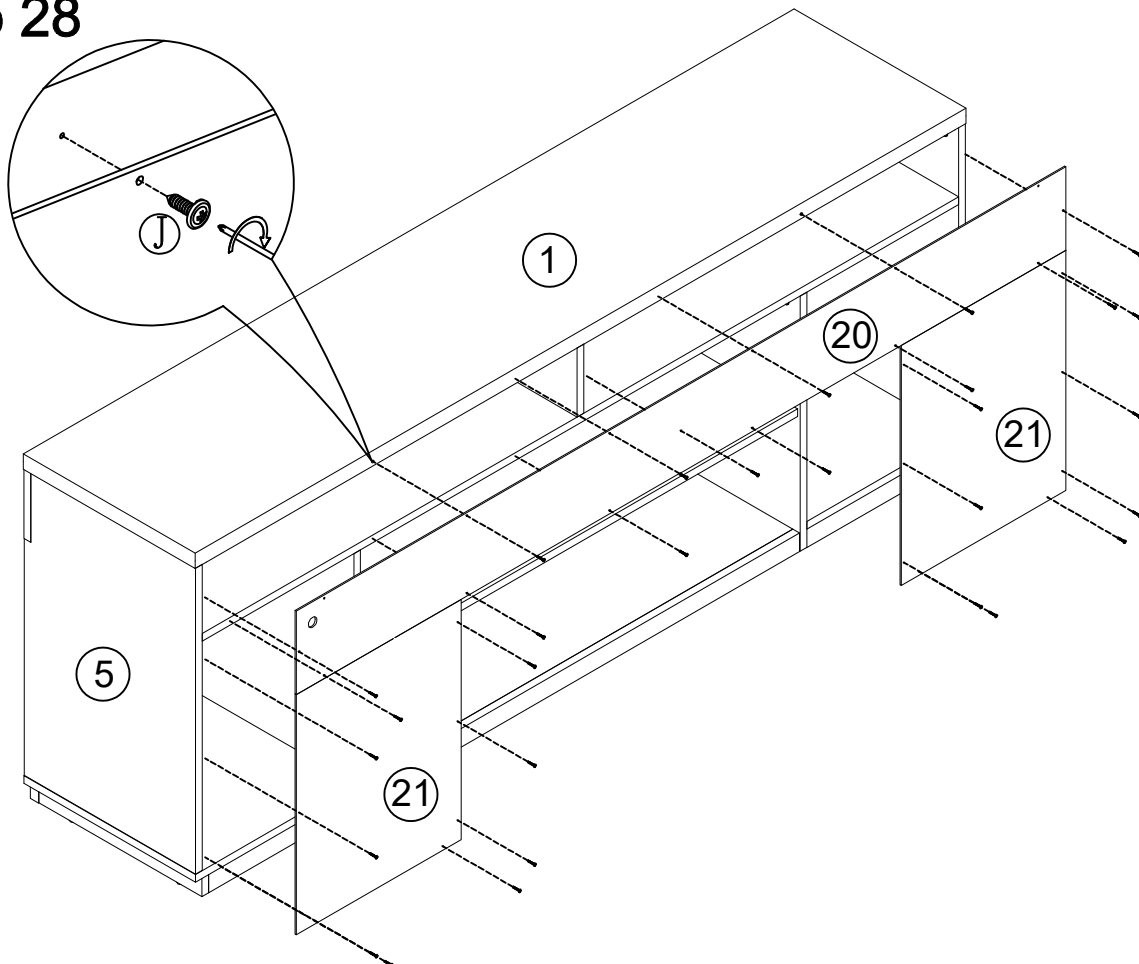


# Step 27

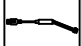


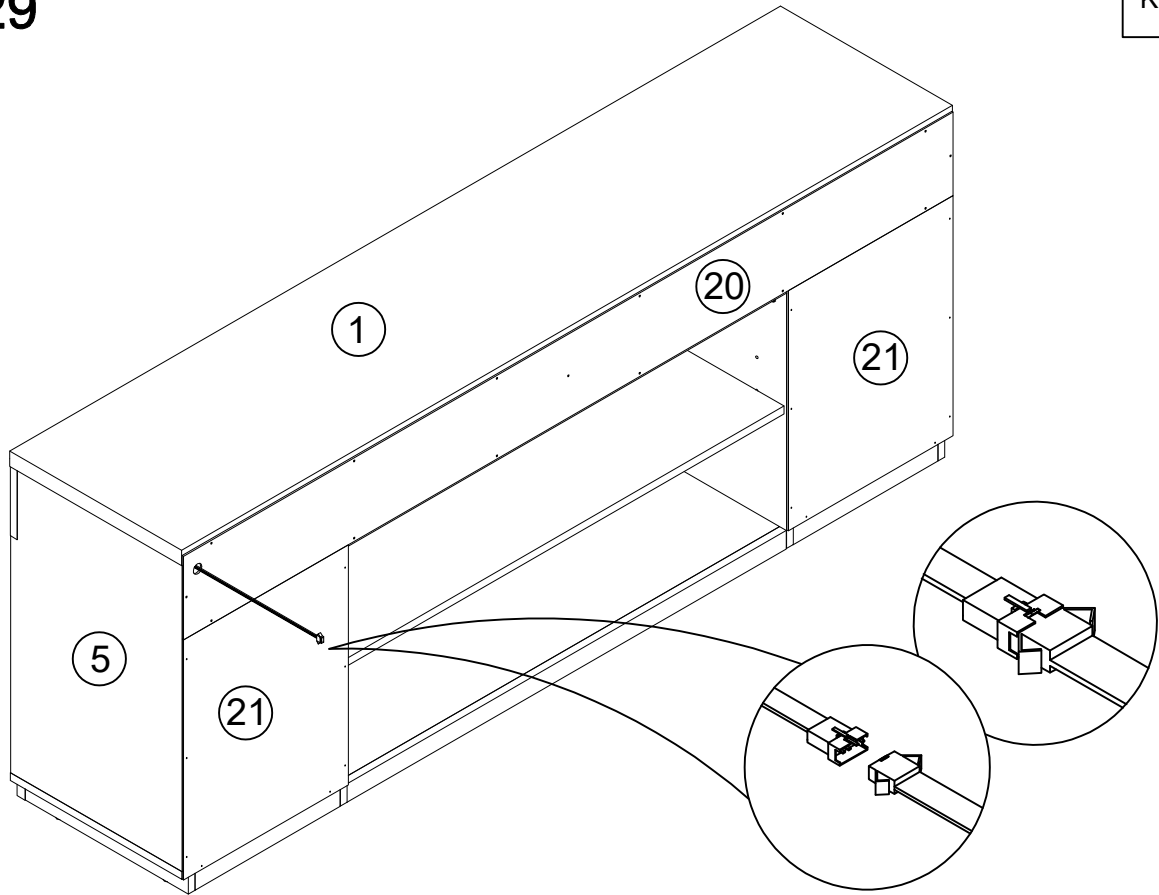
# Step 28

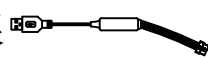
J		29
---	---	----





# Step 29

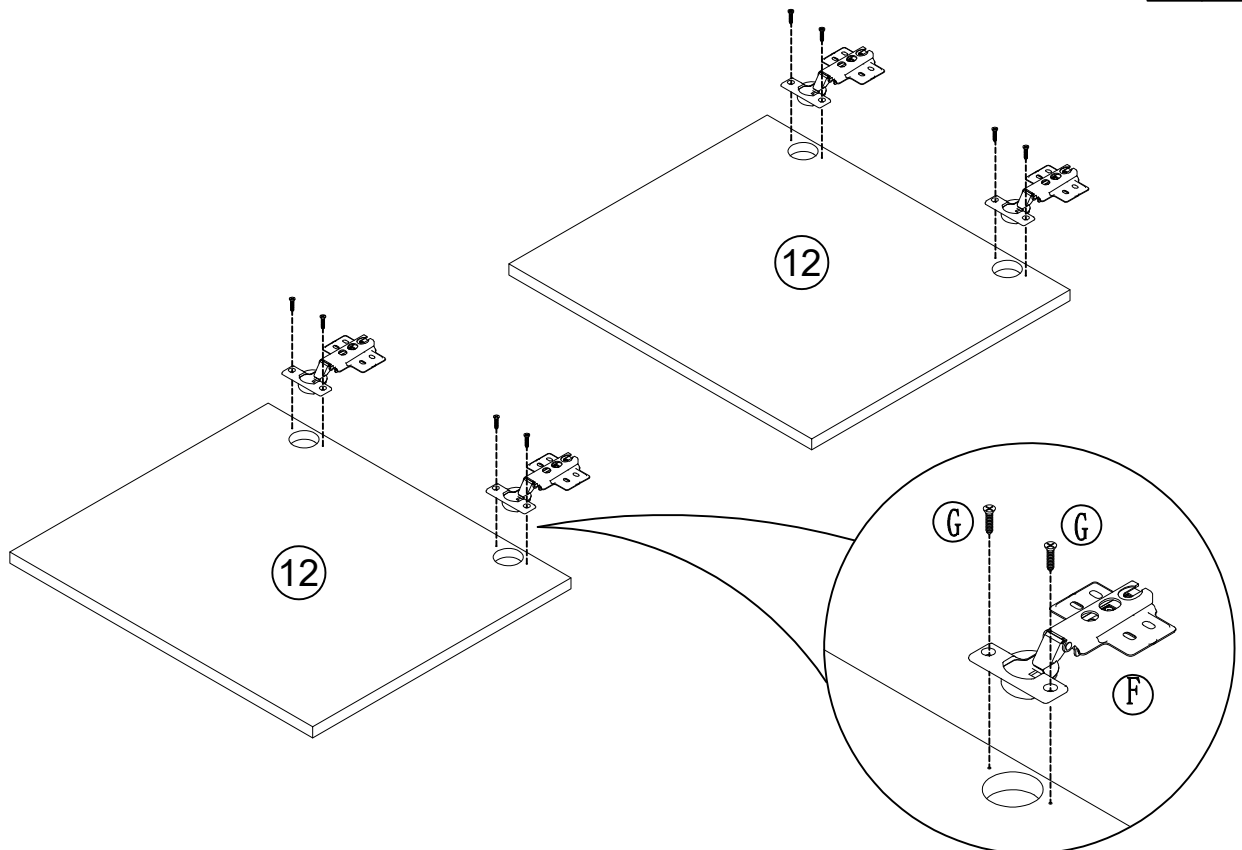
K		1
---	---	---



灯带接口从背板孔中穿出跟  连接

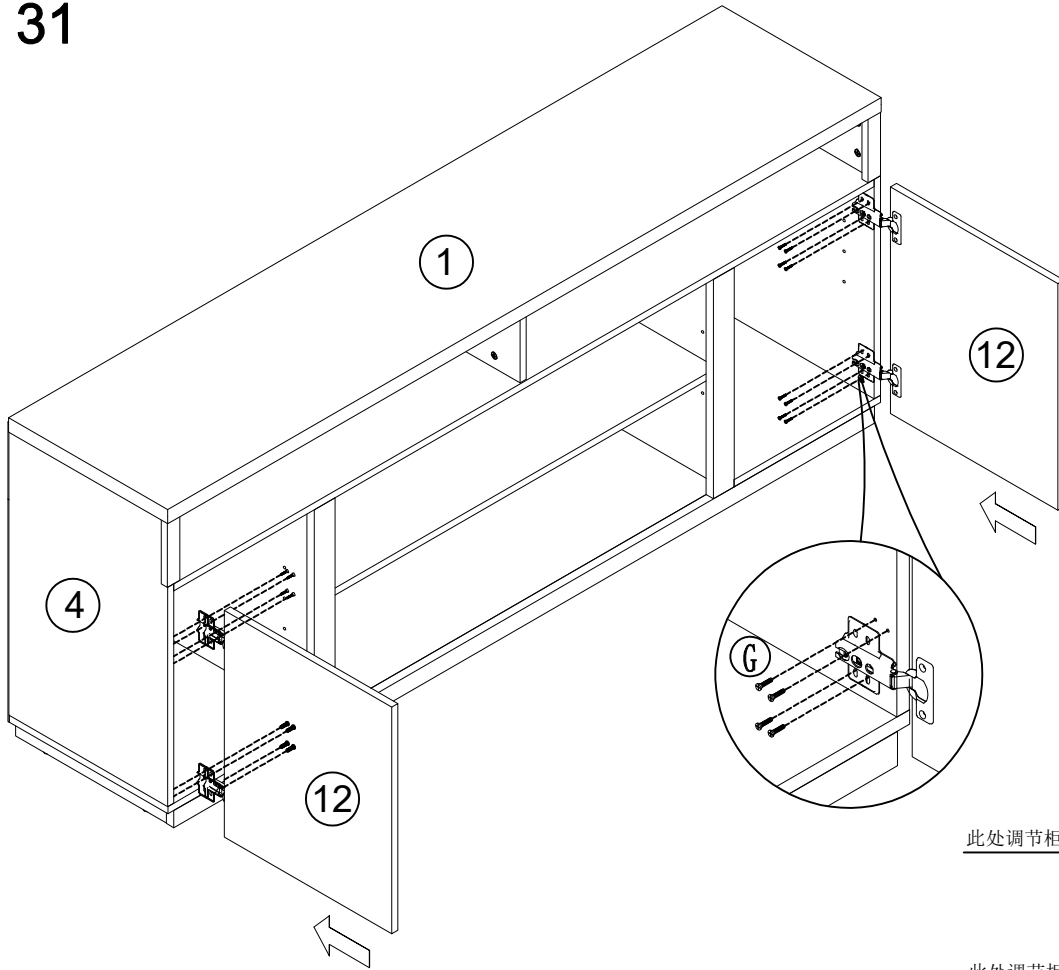
# Step 30

F		4
G		8

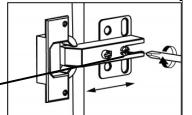


# Step 31

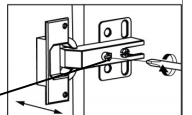
G  16




此处调节柜门前后距离

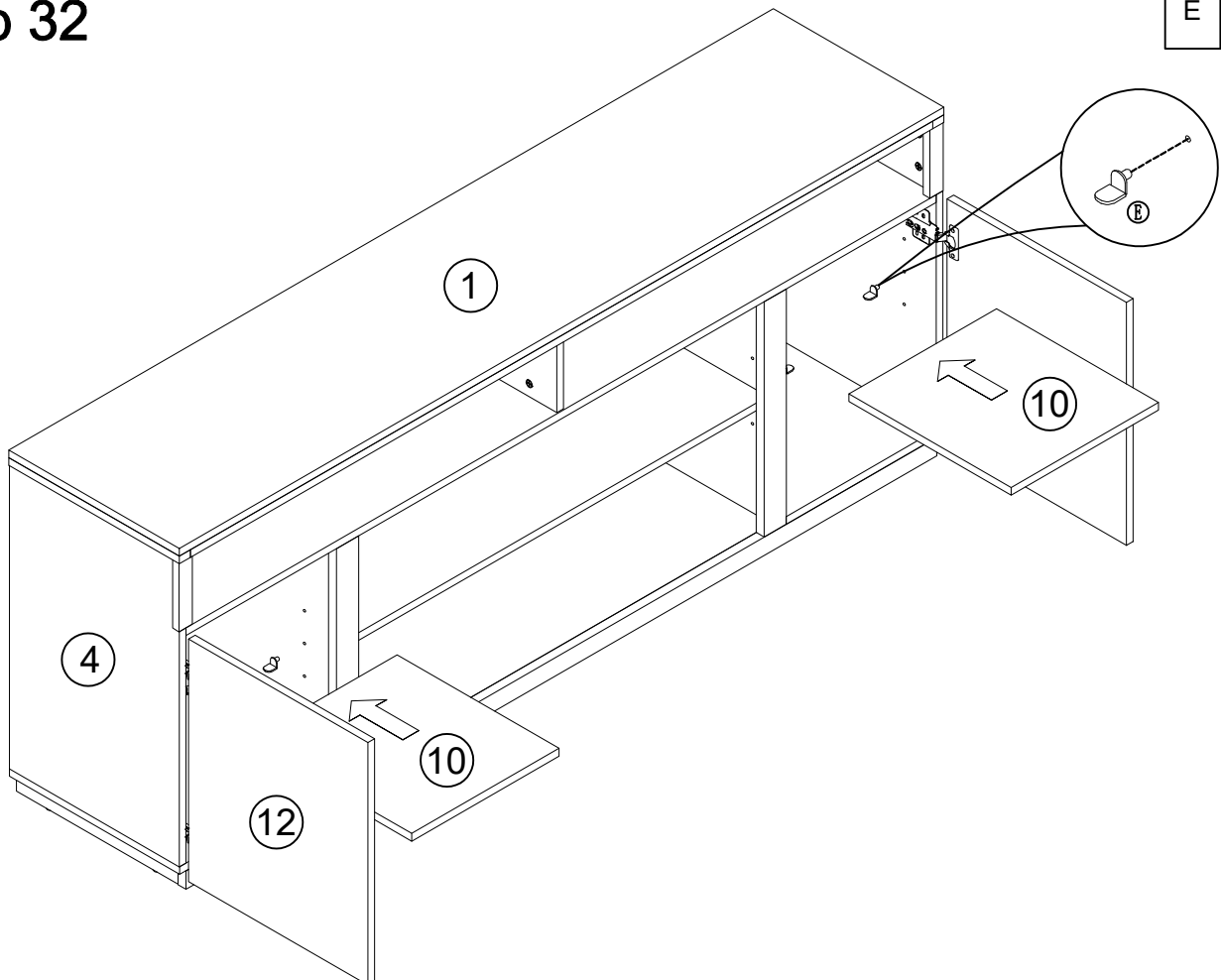


此处调节柜门左右门缝

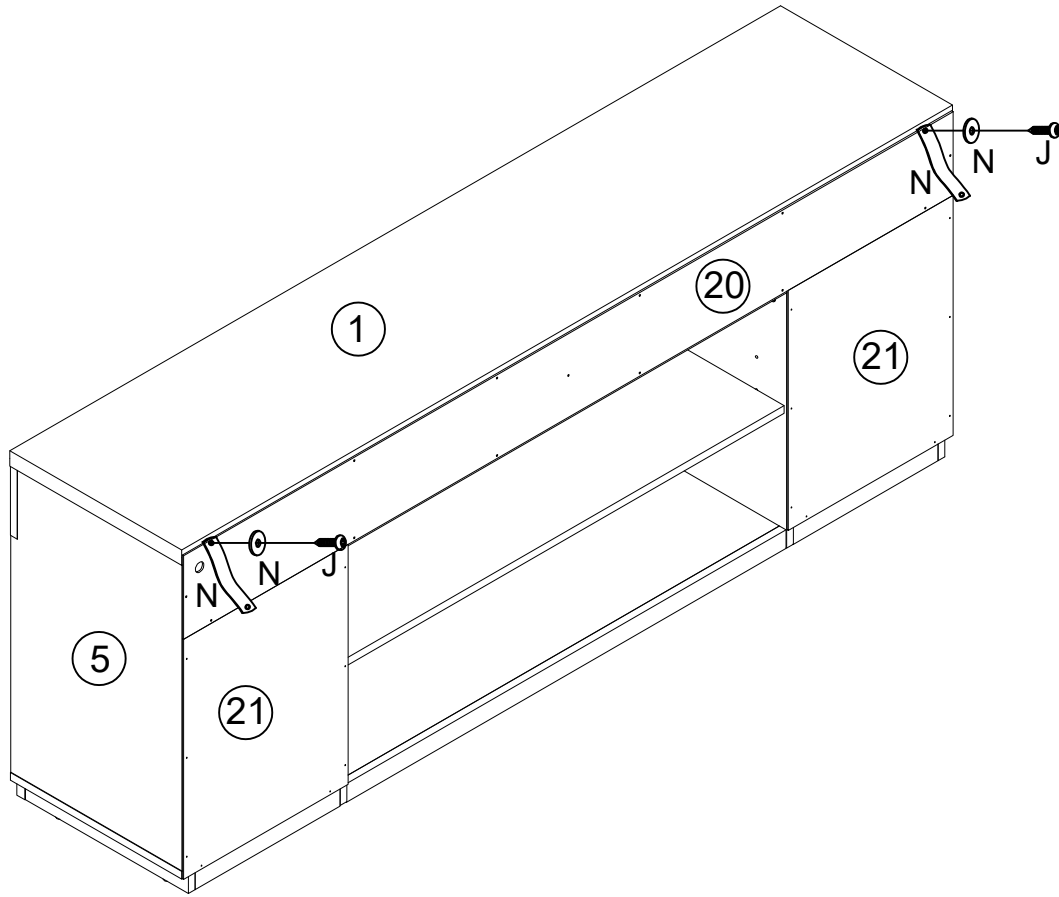


# Step 32

E  8

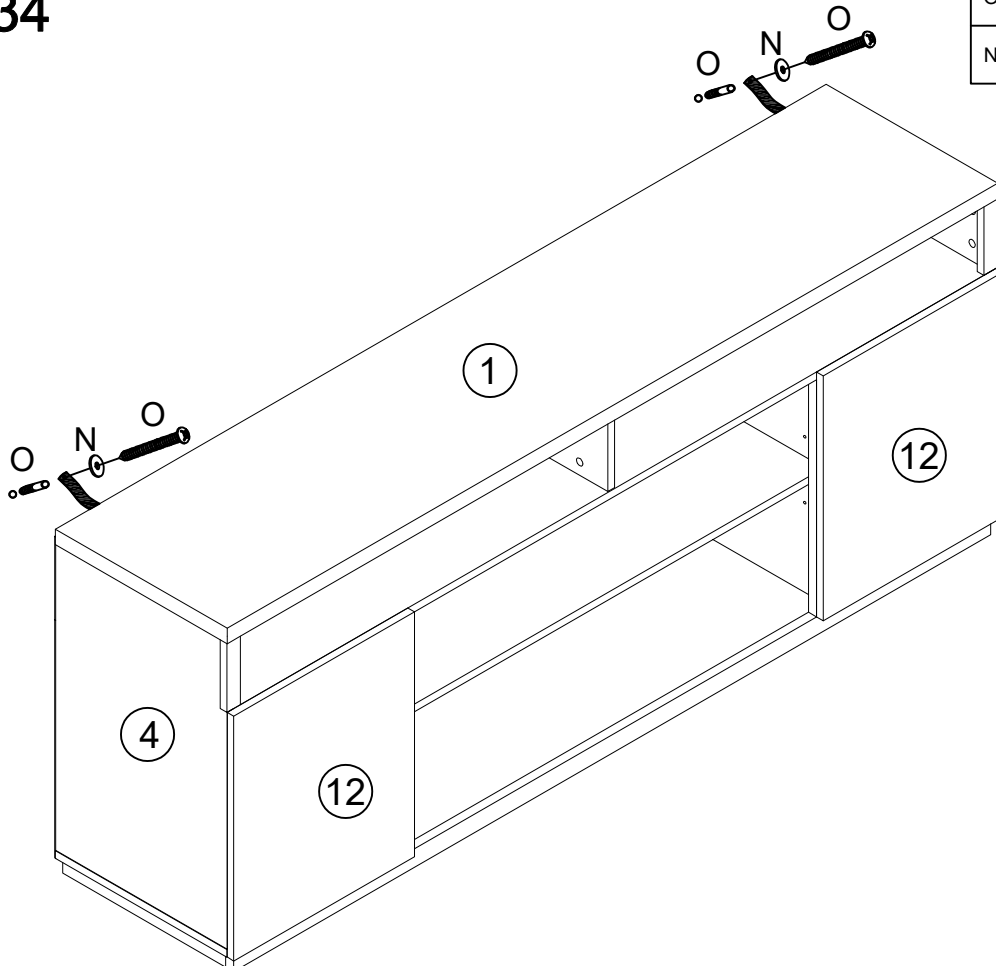


# Step 33



N		2
J		2
N		2

# Step 34



O		2
N		2

- 
- 
- 
-