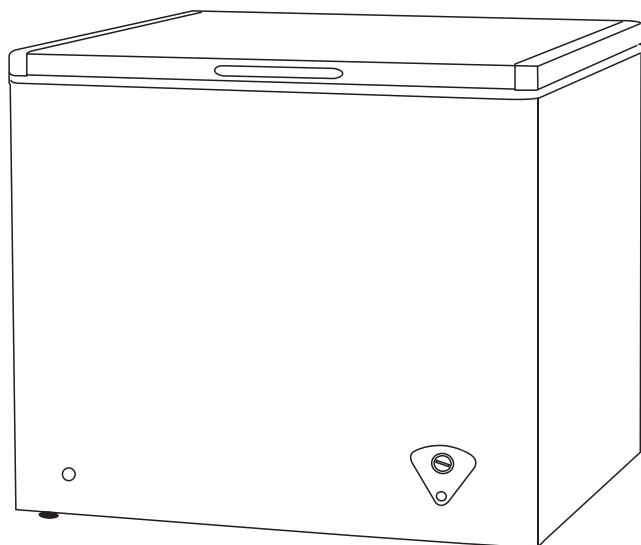


INSIGNIA™

USER GUIDE

10.2 Cu. Ft. Chest Freezer

NS-CZ10WH6/NS-CZ10WH6-C



Before using your new product, please read these instructions to prevent any damage.

Contents

Introduction	2
Important Safety Instructions	3
Grounding requirement	5
Features	5
Package contents	5
Exterior (NS-CZ70WH6 shown)	5
Setting up your freezer	6
Before using your freezer	6
Finding a suitable location	6
Providing a proper power supply	6
Using your freezer	7
Defrosting your freezer	7
Maintaining your freezer	8
Storing your freezer	8
Moving your freezer	8
Tips on saving energy	8
Troubleshooting	9
Specifications	10
ONE-YEAR LIMITED WARRANTY	11
For Québec Customers Only	13

Introduction

Congratulations on your purchase of a high-quality Insignia product. Your NS-CZ10WH6 or NS-CZ10WH6-C represents the state of the art in chest freezer design and is designed for reliable and trouble-free performance.

Important Safety Instructions

WARNING

Immersion hazard. Never use the freezer for human immersion. Risk of hypothermia, suffocation, drowning, infection or other serious injury or death. Never fill freezer with water.



This symbol indicates that dangerous voltage constituting a risk of electric shock is present within your freezer.



This symbol indicates that there are important operating and maintenance instructions in the literature accompanying your freezer.

WARNING

- 1 Read these instructions.
- 2 Keep these instructions.
- 3 Heed all warnings.
- 4 Follow all instructions.
- 5 Do not use this appliance near water.
- 6 Clean only with damp cloth.
- 7 Do not block any ventilation openings. Install in accordance with the manufacturer's instructions.
- 8 Do not install near any heat sources such as radiators, heat registers, stoves, or other apparatus (including amplifiers) that produce heat.
- 9 Do not defeat the safety purpose of the polarized or grounding-type plug. A polarized plug has two blades with one wider than the other. A grounding type plug has two blades and a third grounding prong. The wide blade or the third prong are provided for your safety. If the provided plug does not fit into your outlet, consult an electrician for replacement of the obsolete outlet.
- 10 Protect the power cord from being walked on or pinched particularly at plugs, convenience receptacles, and the point where they exit from the appliance.
- 11 Do not attempt to modify or extend the power cord of this appliance.
- 12 Unplug this appliance during lightning storms or when it will not be used for long periods of time.
- 13 Make sure that the available AC power matches the voltage requirements of this appliance.
- 14 Do not handle the plug with wet hands. This could result in an electric shock.
- 15 Unplug the power cord by holding the plug, never by pulling the cord.

- 16 Do not turn the appliance on or off by plugging or unplugging the power cord.
- 17 Turn off the appliance before unplugging it.
- 18 Refer all servicing to qualified service personnel. Servicing is required when the appliance has been damaged in any way, such as the power-supply cord or plug is damaged, liquid has been spilled or objects have fallen into the appliance, the appliance has been exposed to rain or moisture, does not operate normally, or has been dropped.
- 19 To reduce the risk of fire or electric shock, do not expose this appliance to rain, moisture, dripping, or splashing, and no objects filled with liquids should be placed on top of it.



WARNING

Electric Shock Hazard

Failure to follow these instructions can result in electric shock, fire, or death.

- 1 **WARNING**—Keep ventilation openings, both in the freezer enclosure and the built-in structure, clear of obstruction.
- 2 **WARNING**—Do not touch the interior of the freezer with wet hands. This could result in frost bite.
- 3 **WARNING**—Do not use mechanical devices or other means to accelerate the defrosting process, other than those recommended by the manufacturer.
- 4 **WARNING**—Do not damage the refrigerant circuit.
- 5 **WARNING**—Do not damage the refrigerant tubing when handling, moving, or using the freezer.
- 6 **WARNING—DANGER**—Never allow children to play with, operate, or crawl inside the freezer.
Risk of child entrapment. Before you throw away your old freezer:
 - 1) Take off the doors
 - 2) Leave the shelves in place so that children may not easily climb inside
- 7 Unplug the freezer before carrying out user maintenance on it.
- 8 This freezer can be used by children age eight years and older and persons with reduced physical or mental capabilities or lack of experience and knowledge if they are given supervision or instruction concerning the use of the freezer in a safe way and understand the hazards involved. Children should not play with the freezer. Cleaning and maintenance should not be performed by children without supervision.
- 9 If a component part is damaged, it must be replaced by the manufacturer, its service agent, or similar qualified persons in order to avoid a hazard.
- 10 Please dispose of the freezer according to local regulations as the freezer contains flammable gas and refrigerant.
- 11 Follow local regulations regarding disposal of the freezer due to flammable refrigerant and gas. All refrigeration products contain refrigerants, which under the guidelines of federal law must be removed before disposal. It is the consumer's responsibility to comply with federal and local regulations when disposing of this product.

- 12 This freezer is intended to be used in household and similar environments.
- 13 Do not store or use gasoline or any flammable liquids inside or in the vicinity of this freezer.
- 14 Do not use an extension cords or ungrounded (two-prong) adapters with this freezer. If the power cord is too short, have a qualified electrician install an outlet near the freezer. Use of an extension cord can negatively affect the freezer's performance.

Grounding requirement

This freezer must be grounded. This freezer is equipped with a cord having a grounding wire with a grounding plug. The plug must be inserted into an outlet that is properly installed and grounded.

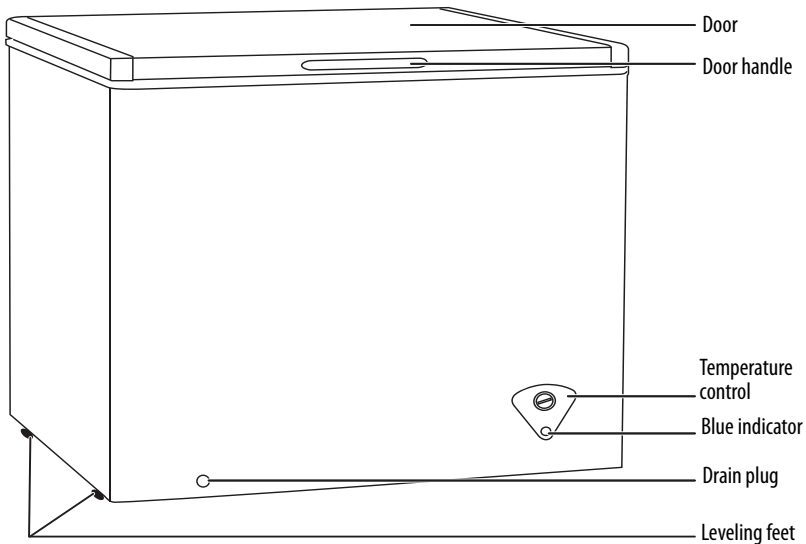
Improper use of the grounding plug can result in a risk of electric shock. Consult a qualified electrician or service person if the grounding instructions are not completely understood, or if doubt exists as to whether the freezer is properly grounded.

Features

Package contents

- 10.2 cubic foot chest freezer
- Storage basket
- *User Guide*

Exterior (NS-CZ70WH6 shown)



Setting up your freezer

Before using your freezer

- Remove the exterior and interior packing.
- Let the freezer stand upright for approximately two hours before connecting it to power. This reduces the possibility of a malfunction in the cooling system from improper handling during transportation.
- Wash the inside with a damp, warm cloth and a baking soda solution (two tablespoons in a quart of water), then wipe dry with a dry cloth. Do this periodically to keep your freezer looking new.

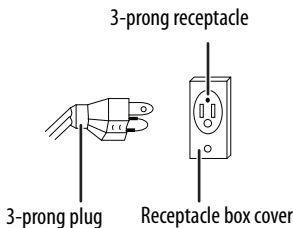
Finding a suitable location

- This freezer is designed to be free standing only, and should not be recessed or built-in.
- Place your freezer on a floor that is strong enough to support the freezer when it is fully loaded.
- Allow six inches (15 cm) of space between the back and sides of the freezer and any surrounding walls to allow for proper air ventilation. Adjust the feet to keep the freezer level.
- Locate the freezer away from direct sunlight and sources of heat, such as a stove, heater, or radiator. Direct sunlight may affect the acrylic coating and heat sources may increase electrical consumption. Extremely cold temperatures may also prevent the freezer from performing properly.
- Avoid locating the freezer in moist areas.
- Garage ready in ambient temperatures of 0° to 110° F (-17.8° to 43.3° C)

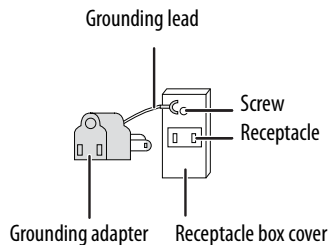
Providing a proper power supply

Check your local power source. This freezer requires a 115V, 60Hz power supply. Use a receptacle that accepts the grounding prong. The power cord is equipped with a 3-prong (grounding) plug which mates with a standard 3-prong (grounding) wall outlet to minimize the possibility of electric shock hazard from this freezer.

Using a 3-prong plug and outlet



Using a grounding adapter



Notes:

- The freezer should always be plugged into its own individual electrical outlet which has a voltage rating that matches the rating plate.
- Never unplug your freezer by pulling on the power cord. Always grip the plug firmly and pull straight out from the outlet.

Using your freezer

The storage life of frozen foods varies and the recommended storage time should not be exceeded.

Place frozen food into the freezer as quickly as possible after purchase. If there are instructions on the packet, carefully follow these instructions regarding storage times.

Pre-packed commercially frozen food should be stored in accordance with the frozen foods manufacturer's instructions for a three star frozen food storage compartment or home freezer.

A storage basket is provided for the organization of odd-shaped items. To reach other packages in the freezer, just slide the basket to one side, or lift it out.

- 1 The first time you turn the freezer on, adjust the temperature control to the setting you want and run for two to three hours before putting food in.
- 2 After it is fully cooled, adjust the temperature control to the setting that best suits your needs. Settings include COLD, COLDER (recommended), COLDEST, and OFF.

Notes:

- Turning the temperature control to OFF stops the cooling cycle but does not shut off the power to the freezer.
- If the freezer is unplugged, loses power, or is turned off, you must wait three to five minutes before restarting it. The freezer will not start if you attempt to restart it sooner.
- Large amounts of food lower the cooling efficiency of the freezer.
- If you choose to change the thermostat setting, adjust the thermostat control by one increment at a time. Allow several hours for the temperature to stabilize between adjustments.

Defrosting your freezer

For your freezer to operate most efficiently and with minimum energy consumption, it should be defrosted when the frost on the freezer walls is in excess of .2 to .4 inches (5 to 10 mm) thick. To minimize food spoilage, choose a time when your stock of frozen food is low.

The instructions regarding the care of frozen foods should be followed when defrosting the freezer. Defrosting usually takes a few hours. Leaving the top open helps speed the process.

CAUTIONS:

- Do not use boiling water to defrost your freezer because it may damage the plastic parts. You can use warm water to speed up the process.
- Never use a sharp or metallic instrument to remove frost as it may damage the cooling coils and will void the warranty.

- 1 Remove the frozen food from your freezer and place it in a refrigerator or cooler to protect the food.
- 2 Turn the thermostat knob to OFF and unplug the freezer.
- 3 During defrosting the ice melts into the cabinet, so remove the drain plug on the inside of the freezer, then place a shallow pan under the drain outlet so the defrost water can drain into something.

Check the pan occasionally so that the water does not overflow.

- 4 When your freezer has defrosted, clean the interior of the freezer, then replace the drain plug.

- 5 Reset the thermostat to desired setting, then allow the freezer to cool for one hour.
- 6 Return the food to the freezer.

Maintaining your freezer

Your freezer is designed for year-round use with only minimal cleaning and maintenance. We recommend that you do the following every time you defrost it to keep your freezer running odor free and efficiently:

CAUTION:

To prevent damage to the finish, do not use:

- Gasoline, benzine, thinner, or other similar solvents.
- Abrasive cleaners.

- 1 Turn off the freezer and unplug it from the wall outlet.
- 2 Remove all food.
- 3 Wash the storage basket with a mild detergent solution.
- 4 Wash the inside with a damp warm cloth soaked in a solution of one quart of water lukewarm water to two tablespoons of baking soda solution.
- 5 Dry the interior and exterior with a soft cloth.
- 6 Be sure to keep the door gasket (seal) clean to keep the unit running efficiently.

Storing your freezer

- 1 Turn off the freezer and unplug it from the wall outlet.
- 2 Remove all food.
- 3 Clean the freezer.
- 4 Leave the door open slightly to avoid possible formation of condensation, mold, or odor.

CAUTION: Use extreme caution with children. The unit should not be accessible to child's play.

Moving your freezer

- 1 Turn off the freezer and unplug it from the wall outlet.
- 2 Remove all food.
- 3 Securely tape down all loose items inside your freezer.
- 4 Tape the door shut.
Be sure the freezer stays in the upright position during transportation.

Tips on saving energy

- Locate your freezer in the coolest area of the room, away from heat producing appliances or heating ducts and out of the direct sunlight.

- Let hot foods cool to room temperature before placing them in the freezer. Overloading the freezer forces the compressor to run longer. Foods that freeze too slowly may lose quality or spoil.
- Wrap foods properly and wipe containers dry before placing them in the freezer. This cuts down on frost build-up inside the freezer.
- The freezer storage bin should not be lined with aluminum foil, wax paper, or paper toweling. Liners interfere with cold air circulation, making the freezer less efficient.
- Organize and label food to reduce door openings and extended searches. Remove as many items as needed at one time, and close the door as soon as possible.

Troubleshooting

CAUTION: Do not try to repair your freezer yourself. Doing so invalidates the warranty.

PROBLEM	POSSIBLE CAUSE	POSSIBLE SOLUTION
The freezer does not operate	The freezer is unplugged.	Make sure that the freezer is plugged in and that the plug is pushed completely into the outlet.
	The thermostat is set to the "OFF" position.	Turn the thermostat knob to "COLDEST."
	The fuse on the circuit is blown or the circuit breaker is tripped.	Check the house fuse/circuit breaker box and replace the fuse or reset the circuit breaker.
	Power failure.	If a power failure occurs, the freezer turns off. Wait until the power is restored.
The freezer door does not close completely	Food packages are interfering with the door.	Move the food packages or remove some food.
	The storage basket is out of position.	Adjust the storage basket properly.
	The door gaskets are dirty.	Clean the door gaskets.
	The freezer is not level.	Level the freezer with the leveling feet.
Food in the freezer is not cold	The door has been opened too often or was not closed properly.	Make sure that the door is closed properly.
	You have just added a large amount of food to the freezer.	Allow time for the new food to cool, then check again.
	The door is not closed completely.	Check the door gasket and food distribution and make sure that the door closes completely.
	The freezer has recently been disconnected for a period of time.	Allow time for the freezer to cool before adding food. Four hours are required for the freezer to cool down completely.
	The thermostat is set too warm.	Set the thermostat to a colder setting.

PROBLEM	POSSIBLE CAUSE	POSSIBLE SOLUTION
The freezer makes unusual noises or vibrations	The freezer may not be level on the floor.	Level the freezer with the leveling feet.
	The body of the freezer is touching a wall.	Move the freezer out from the wall.
	Metal parts undergo expansion and contraction.	This is normal.
	Refrigerant is circulating throughout the system.	This is normal.
Moisture is building up in the interior of the freezer	The door has been opened too often or was not closed properly.	Make sure that the door is closed properly.
	The freezer is in a location that is very humid.	Move the freezer to a dryer location.
	The weather is hot and humid.	This is normal.
The compressor turns on and off frequently.	The room temperature is hotter than normal.	This is normal.
	You have just added a large amount of food to the freezer.	Allow time for the new food to cool, then check again.
	The door is not closed completely or was opened too often.	Check the door gasket and food distribution and make sure that the door closes completely.
	The freezer has recently been disconnected for a period of time.	Allow time for the freezer to cool before adding food. Four hours are required for the freezer to cool down completely.
	The thermostat was not set correctly.	Set the thermostat to the correct setting.

Specifications

Dimensions (WxDxH)	10.2 Cu. ft.: 43 15/16 x 26 7/16 x 33 1/2 in. (111.5 x 67 x 85 cm)
Weight	10.2 Cu. ft.: 88.2 lbs. (40 kg)
Power requirements	115V ~ 60Hz
Current	10.2 Cu. ft.: 1.4A
Power consumption (annual)	10.2 Cu. ft.: 238kWh
Garage ready	Yes, in ambient temperatures of 0° to 110° F (-17.8° to 43.3° C)

ONE-YEAR LIMITED WARRANTY

Best Buy, or its Authorized Partner of Insignia branded products, warrants to you, the original purchaser of this new Insignia branded product ("Product"), that the Product shall be free of defects in the original manufacture of the material or workmanship for a period of one (1) year from the date of your purchase of the Product or the date of delivery (if later than the date of purchase) ("Warranty Period").

For this warranty to apply, your Product must be (i) purchased in the United States or Canada from a Best Buy branded retail store, online at www.bestbuy.com or www.bestbuy.ca, or from Best Buy's Authorized Partner, and (ii) packaged or sold with this warranty statement.

The term "Best Buy", as used in this warranty, refers to Best Buy branded retail stores, www.bestbuy.com, www.bestbuy.ca, and Best Buy's Authorized Partner.

Because Insignia cannot control the quality of products sold by unauthorized sellers, this warranty applies only to Products that were purchased from Best Buy or an Insignia Authorized Partner, unless otherwise prohibited by law. Insignia reserves the right to reject warranty claims for Products purchased from unauthorized sellers, including unauthorized websites.

REPAIR OR REPLACEMENT, AS PROVIDED UNDER THIS WARRANTY, IS YOUR EXCLUSIVE REMEDY FOR BREACH OF WARRANTY. INSIGNIA SHALL NOT BE LIABLE FOR ANY INCIDENTAL OR CONSEQUENTIAL DAMAGES FOR THE BREACH OF ANY EXPRESSED OR IMPLIED WARRANTY ON THIS PRODUCT, INCLUDING, BUT NOT LIMITED TO, LOST DATA, LOSS OF USE OF YOUR PRODUCT, LOST BUSINESS, OR LOST PROFITS. INSIGNIA PRODUCTS MAKES NO OTHER EXPRESS WARRANTIES WITH RESPECT TO THE PRODUCT. ALL EXPRESSED AND IMPLIED WARRANTIES FOR THE PRODUCT, INCLUDING BUT NOT LIMITED TO ANY IMPLIED WARRANTIES OF AND CONDITIONS OF MERCHANTABILITY AND FITNESS FOR A PARTICULAR PURPOSE, ARE LIMITED IN DURATION TO THE WARRANTY PERIOD SET FORTH ABOVE AND NO WARRANTIES, WHETHER EXPRESSED OR IMPLIED, WILL APPLY AFTER THE WARRANTY PERIOD. SOME STATES, PROVINCES, AND JURISDICTIONS DO NOT ALLOW LIMITATIONS ON (i) HOW LONG AN IMPLIED WARRANTY LASTS, (ii) EXCLUSION OR LIMITATION OF INCIDENTAL OR CONSEQUENTIAL DAMAGES, or (iii) LIMITATION OF INCIDENTAL OR CONSEQUENTIAL DAMAGES, SO THE ABOVE LIMITATIONS OR EXCLUSIONS MAY NOT APPLY TO YOU. THIS WARRANTY GIVES YOU SPECIFIC LEGAL RIGHTS, AND YOU MAY ALSO HAVE OTHER RIGHTS, WHICH VARY FROM STATE TO STATE OR PROVINCE TO PROVINCE.

How long does the coverage last?

The Warranty Period lasts for 1 year (365 days) from the date you purchased the Product or the date of delivery (if later than the date of purchase). Your purchase date is printed on the receipt you received with the Product. In the event that Authorized Partner ceases to sell the covered Insignia branded product, this warranty shall terminate for that product and there shall be no repair or replacement of the Product.

What does this warranty cover?

During the Warranty Period, if the original manufacture of the material or workmanship of the Product is determined to be defective by an authorized Insignia repair center or store personnel, Insignia will (at its sole option): (1) repair the Product with new or rebuilt parts; or (2) replace the Product at no charge with new or rebuilt comparable products or parts. Products and parts replaced under this warranty become the property of Insignia and are not returned to you. If service of Products or parts are required after the Warranty Period expires, you must pay all labor and parts charges. This warranty lasts as long as you own your Insignia Product during the Warranty Period. Warranty coverage terminates if you sell or otherwise transfer the Product.

How to obtain warranty service?

If you purchased the Product at a Best Buy retail store location or from a Best Buy online website (www.bestbuy.com or www.bestbuy.ca), please take your original receipt and the Product to any Best Buy store. Make sure that you place the Product in its original packaging or packaging that provides the same amount of protection as the original packaging. If you purchased your Product from an Authorized Partner, call Insignia at 1-877-467-4289.

To obtain warranty service, in the United States and Canada call 1-877-467-4289. Call agents may diagnose and correct the issue over the phone.

If you purchased the Product from an Authorized Partner other than Best Buy, please call 1-888-BESTBUY in the United States or 1-866-BESTBUY in Canada. You will be asked to provide proof of purchase and to return your Product to Best Buy. Make sure that you put the Product in its original packaging or packaging that provides the same amount of protection as the original packaging.

Where is the warranty valid?

This warranty is valid only in the United States and Canada to the original purchaser of the product from an Authorized Partner, in the country where the original purchase was made.

What does the warranty not cover?

- Food, beverage, and/or medicine loss/spoilage.
- Damage to other products caused by a power surge or other similar issue while connected to the Product.
- Customer instruction/education.
- Installation.
- Set up adjustments.
- Cosmetic damage.
- Damage due to weather, lightning, and other acts of God, such as power surges.
- Accidental damage.
- Misuse.
- Abuse.
- Negligence.
- Commercial purposes/use, including but not limited to use in a place of business or in communal areas of a multiple dwelling condominium or apartment complex, or otherwise used in a place of other than a private home.
- Modification of any part of the Product, including the antenna.
- Display panel damaged by static (non-moving) images applied for lengthy periods (burn-in).
- Damage due to incorrect operation or maintenance.
- Connection to an incorrect voltage or power supply.
- Damage due to attempted repair by any person not authorized by Insignia to service the Product.
- Products sold "as is" or "with all faults".
- Consumables, including but not limited to batteries (i.e. AA, AAA, C etc.).
- Products where the factory applied serial number has been altered or removed.
- Loss or Theft of this product or any part of the product.
- Display panels containing up to three (3) pixel failures (dots that are dark or incorrectly illuminated) grouped in an area smaller than one tenth (1/10) of the display size or up to five (5) pixel failures throughout the display. (Pixel based displays may contain a limited number of pixels that may not function normally).
- Failures or Damage caused by any contact including but not limited to liquids, gels or pastes.

1-877-467-4289 | www.insigniaproducts.com

INSIGNIA is a trademark of Best Buy and its affiliated companies.

Distributed by Best Buy Purchasing, LLC
7601 Penn Avenue South, Richfield, MN 55423 U.S.A
©2025 Best Buy. All rights reserved.

For Québec Customers Only

Availability Guarantee

Notice for Section 39 of the *Consumer Protection Act* Regarding the Availability Guarantee of Replacement Parts, Repair Services, and Maintenance Information

Please be advised that Best Buy Canada Ltd. (“Best Buy”), including its affiliated entities, does not guarantee, within the meaning of Section 39 of the *Consumer Protection Act* and the applicable regulations, the availability of replacement parts, repair services, or maintenance or repair information relating to products sold, manufactured, imported, advertised, or sold by Best Buy or under its Insignia brand, Best Buy Essentials, Rocketfish, or other brands sold or manufactured by Best Buy.

This Notice does not affect Best Buy’s One-Year Limited Warranty for Insignia Products.

Please visit www.bestbuy.ca/garantie-disponibilite for additional information.



INSIGNIA™

www.insigniaproducts.com

1-877-467-4289 (U.S. and Canada)



INSIGNIA is a trademark of Best Buy and its affiliated companies.

Distributed by Best Buy Purchasing, LLC

Richfield, MN 55423

©2025 Best Buy. All rights reserved.

V7 ENGLISH
25-0971