

# HyperChiller™

## Iced Coffee Maker

---

Instruction Manual

## Contact:

sales@hyperchiller.com

Hyperbius, Inc.  
8140 Belvedere Road, Unit 4  
West Palm Beach, FL 33411

---

US & International  
Patents Pending

Product made in China

90-Day Limited Warranty

## Product Info:

**Capacity:** 12.5 fl. oz.

**Note:** Product can be used twice before requiring refreezing.

**Dimensions:**  
4.25" diameter x 6.75" height

**Materials:**  
Food grade stainless steel  
BPA free Polypropylene plastic

**Care:**  
Top rack dishwasher safe

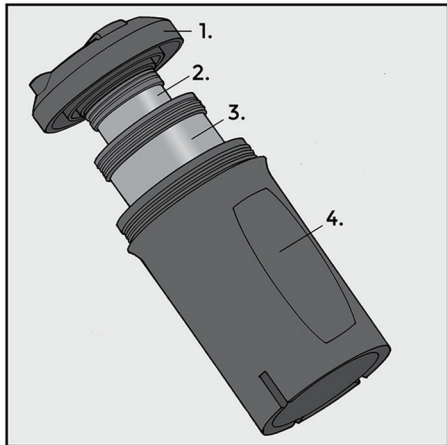
**CAUTION:** PLEASE ENSURE THAT THIS DEVICE IS SECURE AS YOU SLOWLY AND CAREFULLY POUR HOT LIQUID INTO THE DEVICE. DO NOT ALLOW THE LIQUID TO OVERFLOW FROM OR POOL ON THE TOP OF THE VESSEL. BE SURE THAT THE LIQUID DRAINS FROM THE TOP COMPLETELY BEFORE YOU CONTINUE POURING LIQUID INTO THE CHAMBER. DO NOT OVERFILL.

# IMPORTANT - WASH BEFORE USE

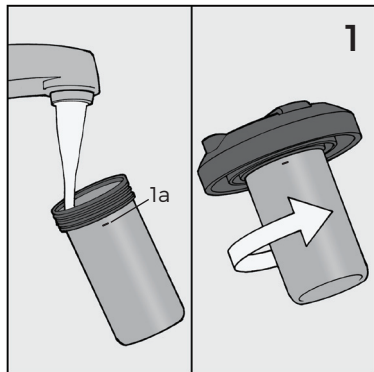
(Dishwasher safe)

## Contents:

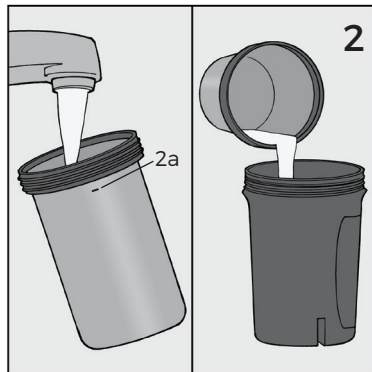
1. Lid
2. Small stainless steel cup
3. Large stainless steel cup
4. Black HyperChiller cup



## Initial Assembly Instructions:



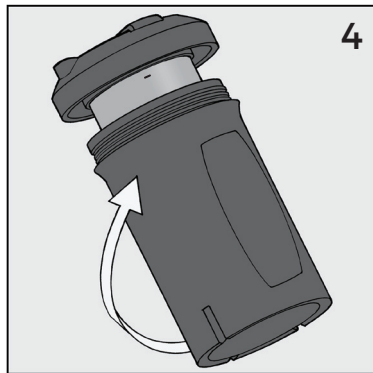
Fill small stainless steel cup with water up to the indented mark (1a), and twist to lid.



Fill large stainless steel cup with water up to the indented mark (2a), and pour into the black HyperChiller cup.



Twist empty large stainless steel cup to the lid.



Twist lid assembly to black HyperChiller cup, and place upright in freezer (12+ hrs).

## Instructions for daily use:

- 1** Brew fresh coffee directly onto the HyperChiller's sloped lid with your compatible single cup brewer, or carefully pour it in with a carafe. Liquid will flow through the opening at the bottom, and into the cooling chamber.

**Note:** No need to take anything apart to use it.
- 2** After the coffee is in the HyperChiller, gently swirl it every few seconds to keep the coffee moving.
- 3** In one minute, the coffee will have cooled off by up to 130+ degrees. Now, via the spout on the other side of the lid, pour over ice and enjoy!

**Note:** If you're having a larger than 8oz brew size, or want to enjoy ice cold without ice, let it chill for an extra 60 seconds.

4

To get it ready for your next use, just rinse with water, then dry off condensation on the outside, and put it upright in the freezer.

**Note:** To rinse, simply pour some fresh water through the lid (as you did with coffee), and then pour it back out.

---

## General Information:

Periodically, the HyperChiller should be taken apart and thoroughly washed. All parts can be placed onto the top shelf of a dishwasher.

Be advised: There are four small vents in the top of the lid which are necessary for air to escape when the water freezes. A small amount of melted ice may drip from these vents when the HyperChiller is angled for pouring.

To ensure proper functioning of these vents, please clear them of any water before freezing.

## HyperChiller Cooling Times

	Swirling	Resting
Small* (6 oz)	60 seconds	90 seconds
Medium* (8 oz)	60	90
Large* (10 oz)	60	90
Ex Large* (12 oz)	90	90
Wine (6 oz)	30	45
Spirits (3 oz)	30	45

\* If you want to enjoy your coffee ice cold, without ice in your drink, add 60 seconds to the cooling time.