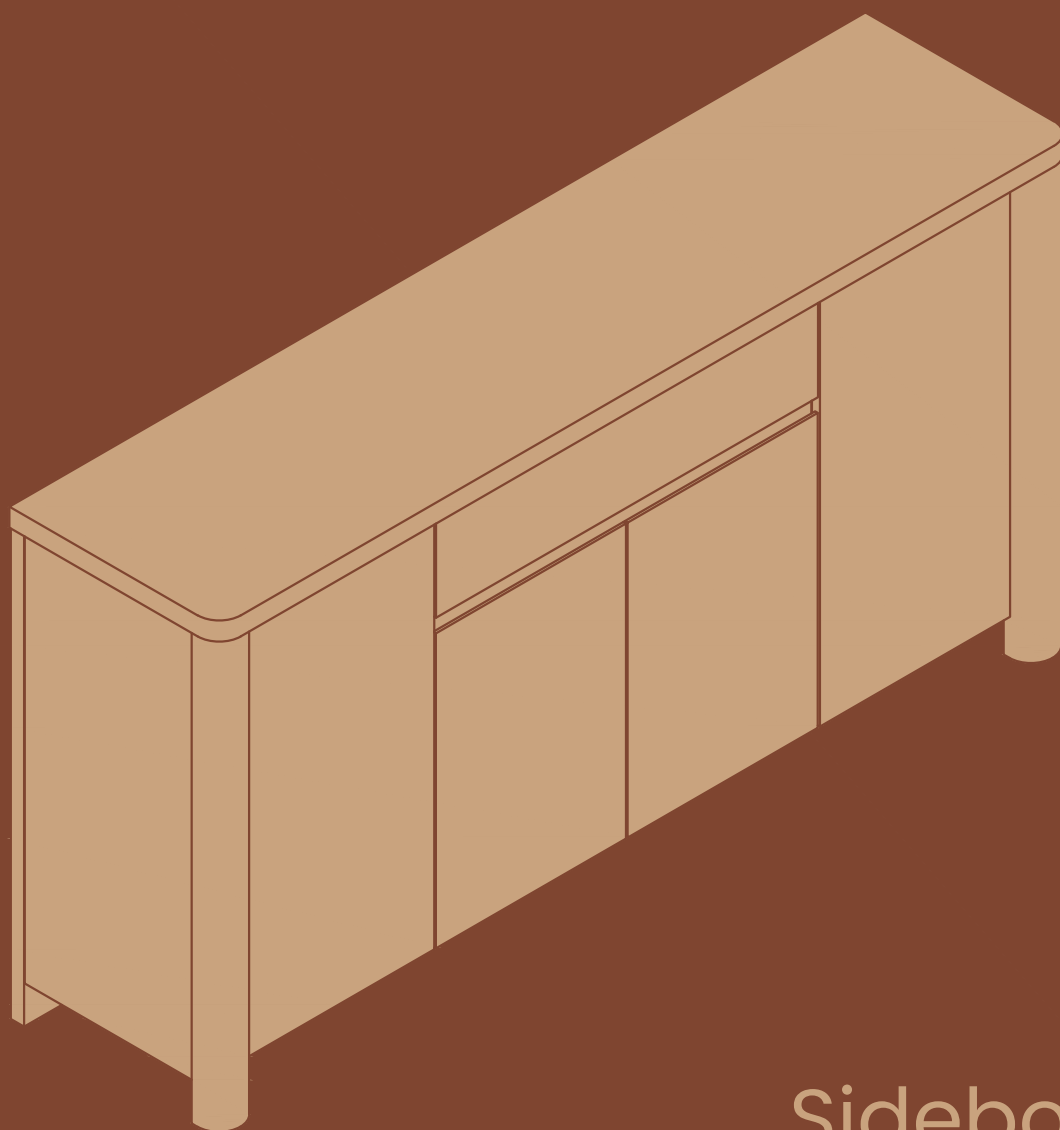


# ASSEMBLY INSTRUCTION



Sideboard

# CATALOGUE

---

Precautions	01
Parts List	02-03
Hardware List	04
Tool List	05
Assembling Process	06-33

## INTRODUCTION

Thank you for purchasing our products. Please read the instructions carefully before installation and keep it in a safe place for future reference. If you need any assistance or support, please feel free to contact our customer support team.

## PRECAUTIONS

This package contains numerous components and hardware pieces. Please identify and verify all parts against the parts list before you begin assembly.

**WARNING: Choking Hazard.** This product contains small items. Keep all parts and hardware out of the reach of children during assembly.

To prevent scratches, assemble the product on a soft, non-abrasive surface such as a carpet, blanket, or the flattened cardboard packaging.

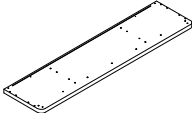
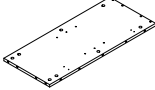
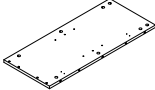
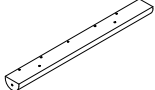
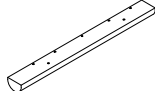
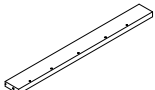
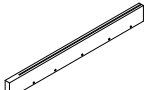

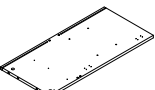
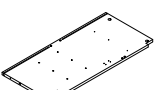
Some components are heavy. For safety, we recommend this product be assembled by two adults.


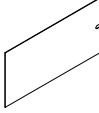
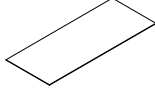
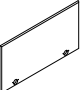
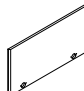
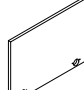
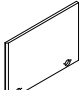
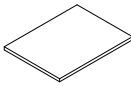
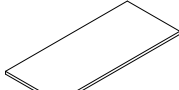

The unit may be unstable until assembly is fully complete. Do not move the product until all steps are finished.

If you encounter any issues or have questions, please contact our customer service team for assistance.

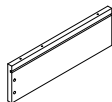
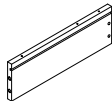
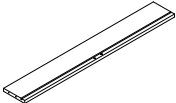
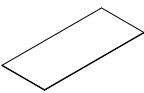
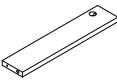

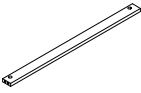
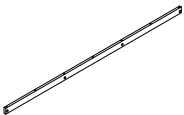
- \* **Please be sure to follow the installation steps in the manual to avoid unnecessary losses caused by improper installation.**
- \* **If you need further assistance, please contact the customer service online.**

**Parts List**


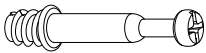


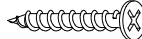
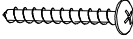

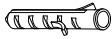
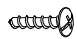
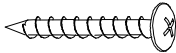
ID	Parts	QTY
1		1
2		1
3		1
4		1
5		1
6		1
7		1
8		1
9		1
10		1

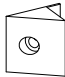



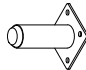

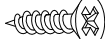



ID	Parts	QTY
11		1
12		2
13		2
14		1
15		1
16		1
17		1
18		2
19		1
20		1

**Parts List**

ID	Parts	QTY
21		1
22		1
23		1
24		1
25		1
26		4
27		1
28		1

## Hardware List

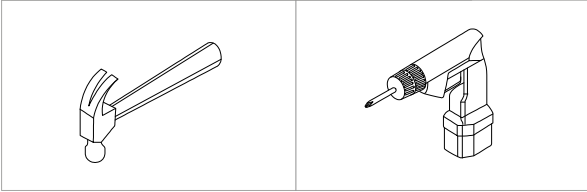
ID	Parts	QTY
<b>A</b>		39+2
<b>B</b>		39+2
<b>C</b>	 Ø6*30mm	2
<b>D</b>	 Ø8*30mm	37+2
<b>E</b>	 Ø8*Ø4*30mm	5
<b>F</b>	 Ø9*Ø4*40mm	4
<b>G</b>		2
<b>H</b>		2
<b>I</b>	 Ø9*Ø4*13mm	10+1
<b>J</b>	 Ø9*Ø4*35mm	2

ID	Parts	QTY
<b>K</b>		20+2
<b>L</b>	 Ø5.8*Ø3*16mm	20+2
<b>M</b>	 Ø7*Ø3.5*12mm	12+1
<b>N</b>		1
<b>O</b>		2
<b>P</b>		8
<b>Q</b>	 Ø7*Ø4*14mm	48+2
<b>R</b>	 Ø9*Ø4.2*50mm	8+1
<b>S</b>		12+1
<b>T</b>		16+4

---

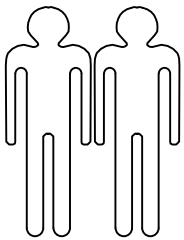
## Tool List

### Required Tools (Not Included)

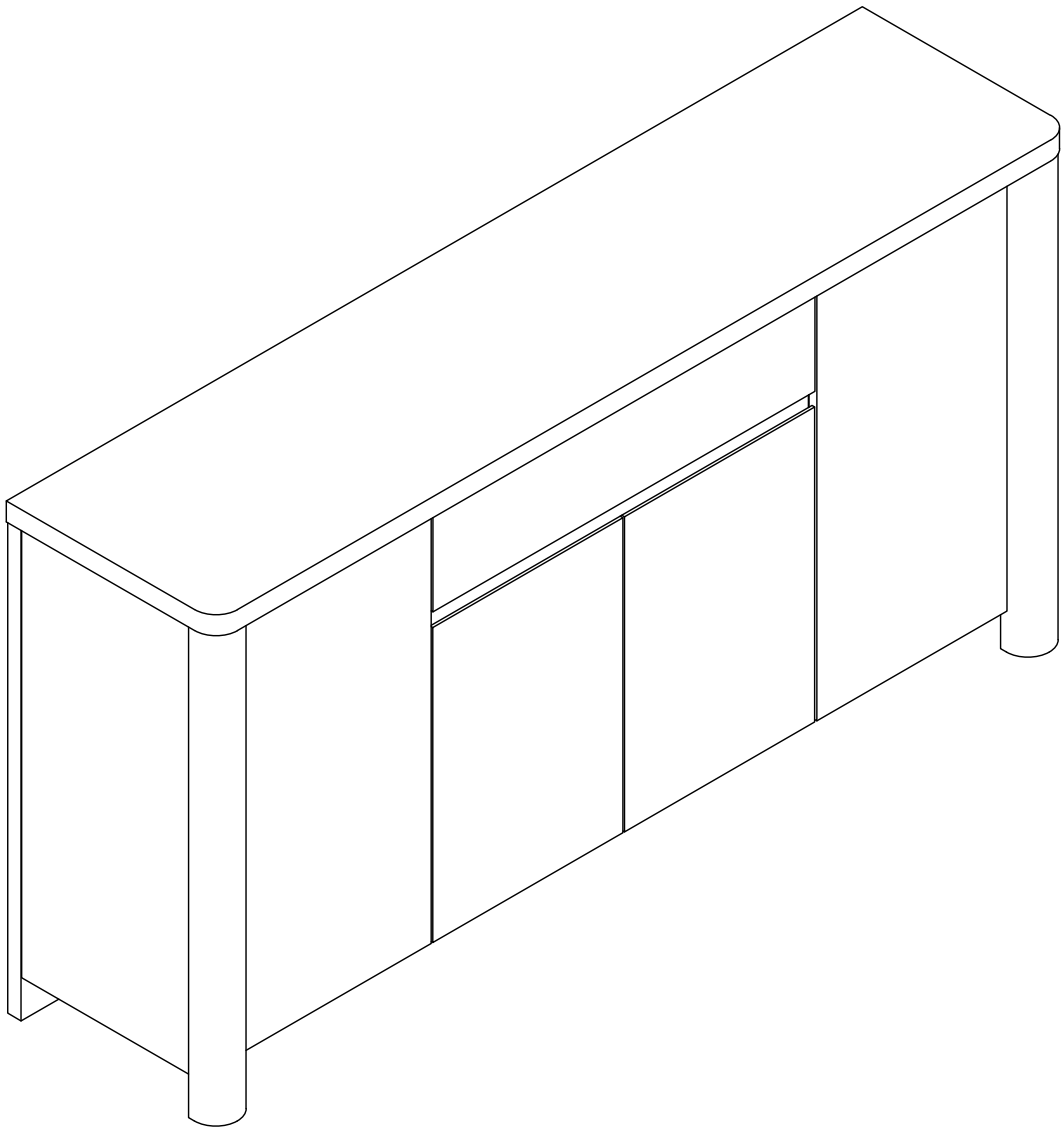


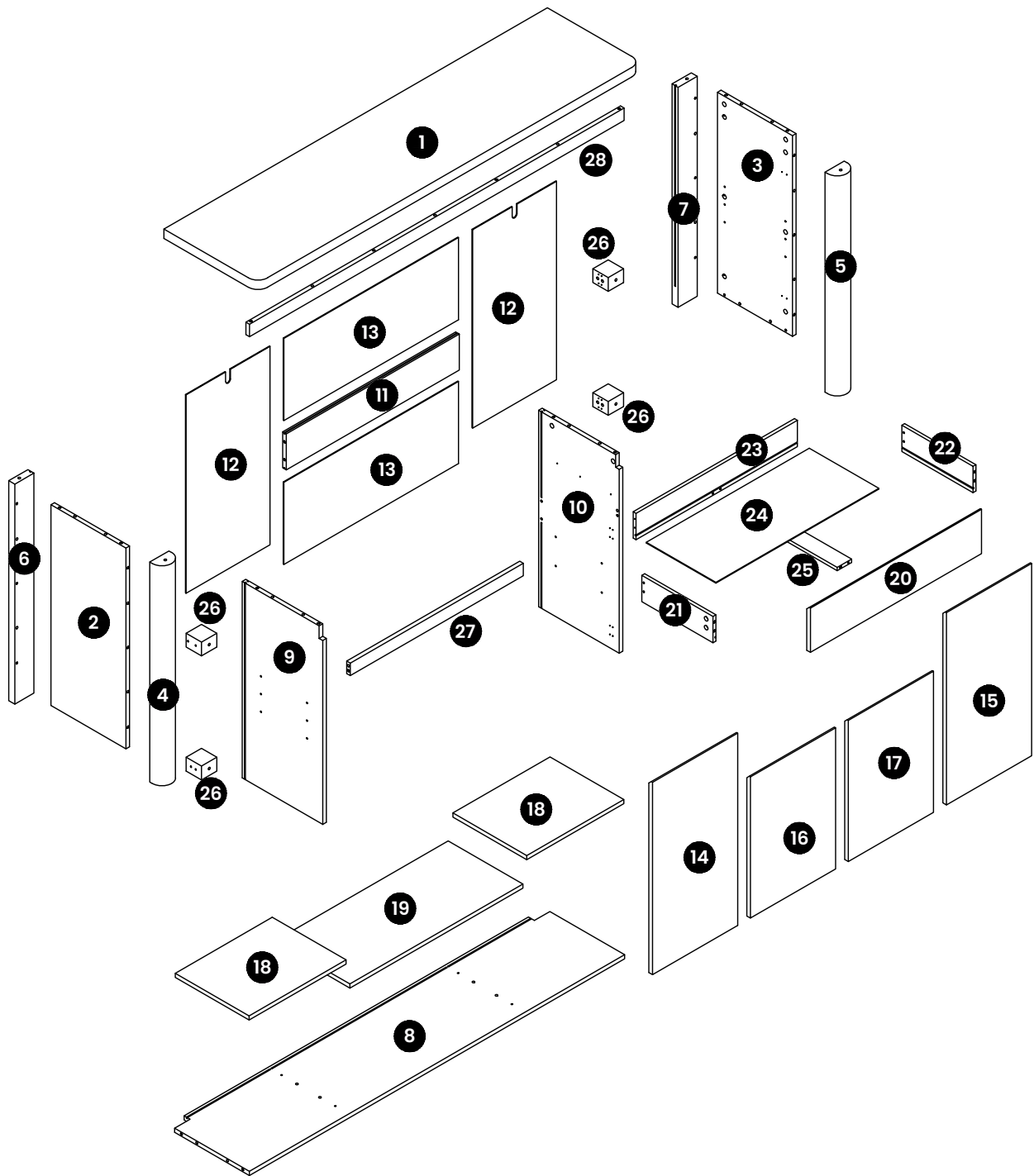
**Wall mounting only**

**These tools are not required for product assembly.**



Multi-person installation

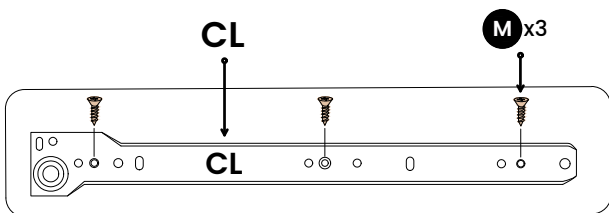
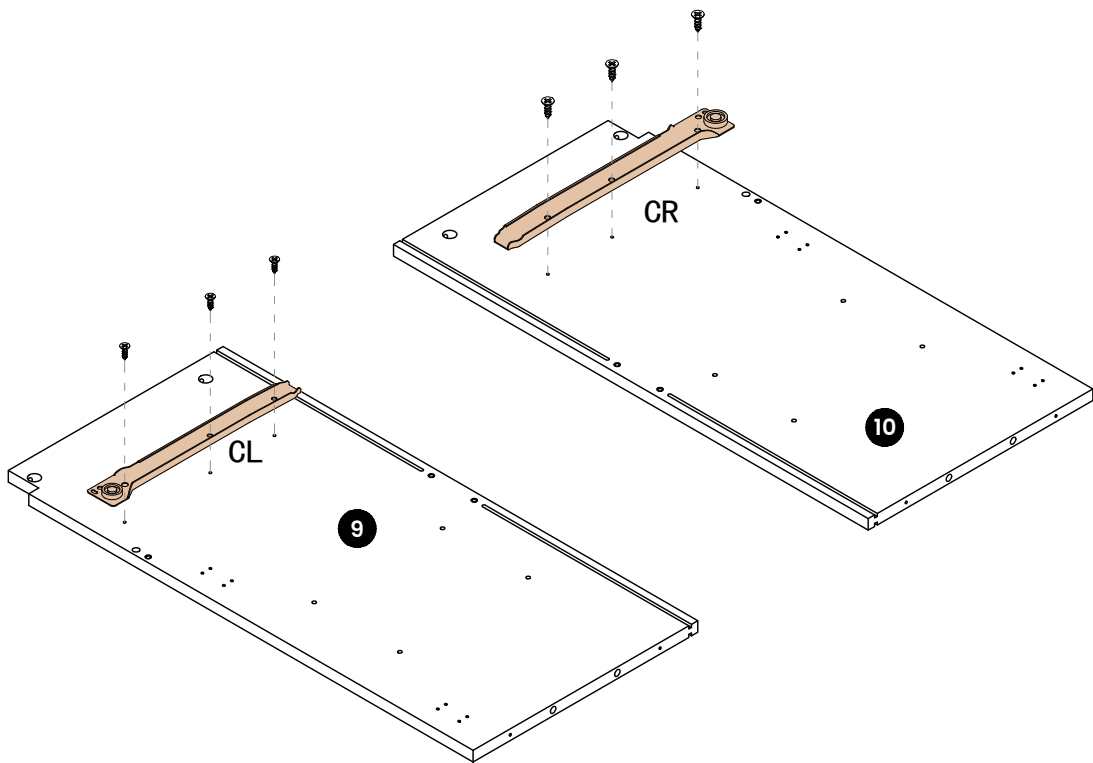




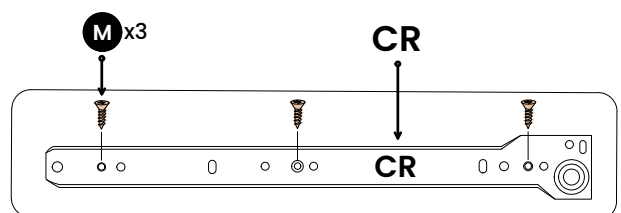
## STEP 1


 **M**x6

 **N**x1

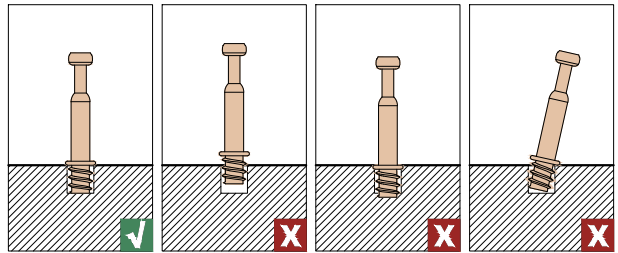
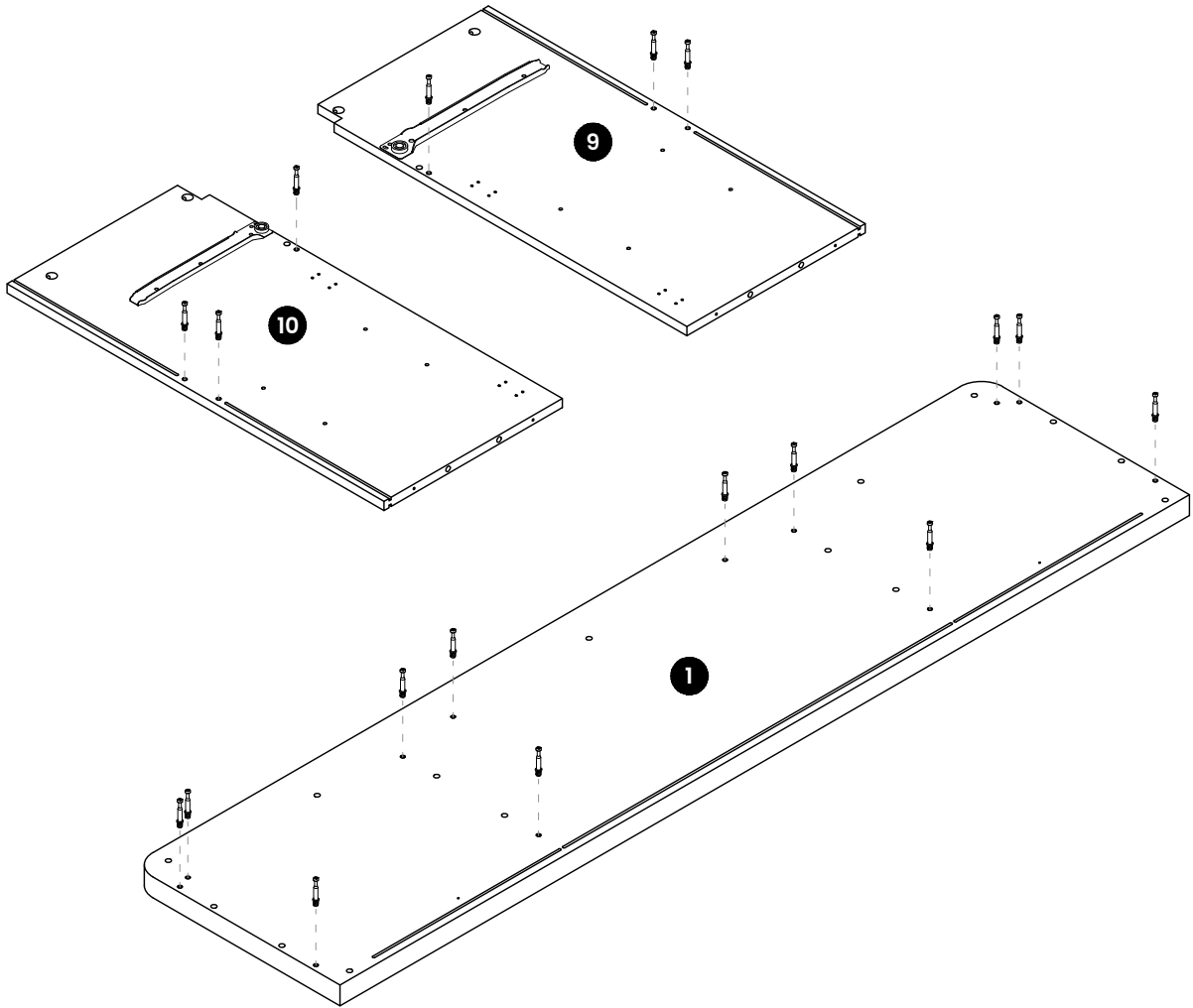


 Pay attention to the position of the screws



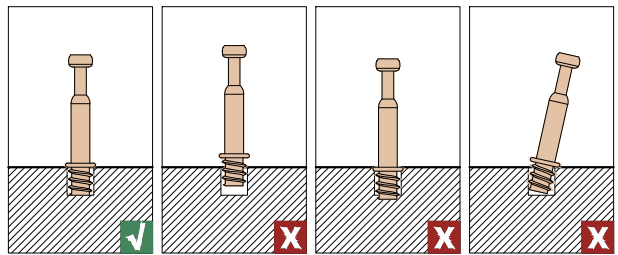
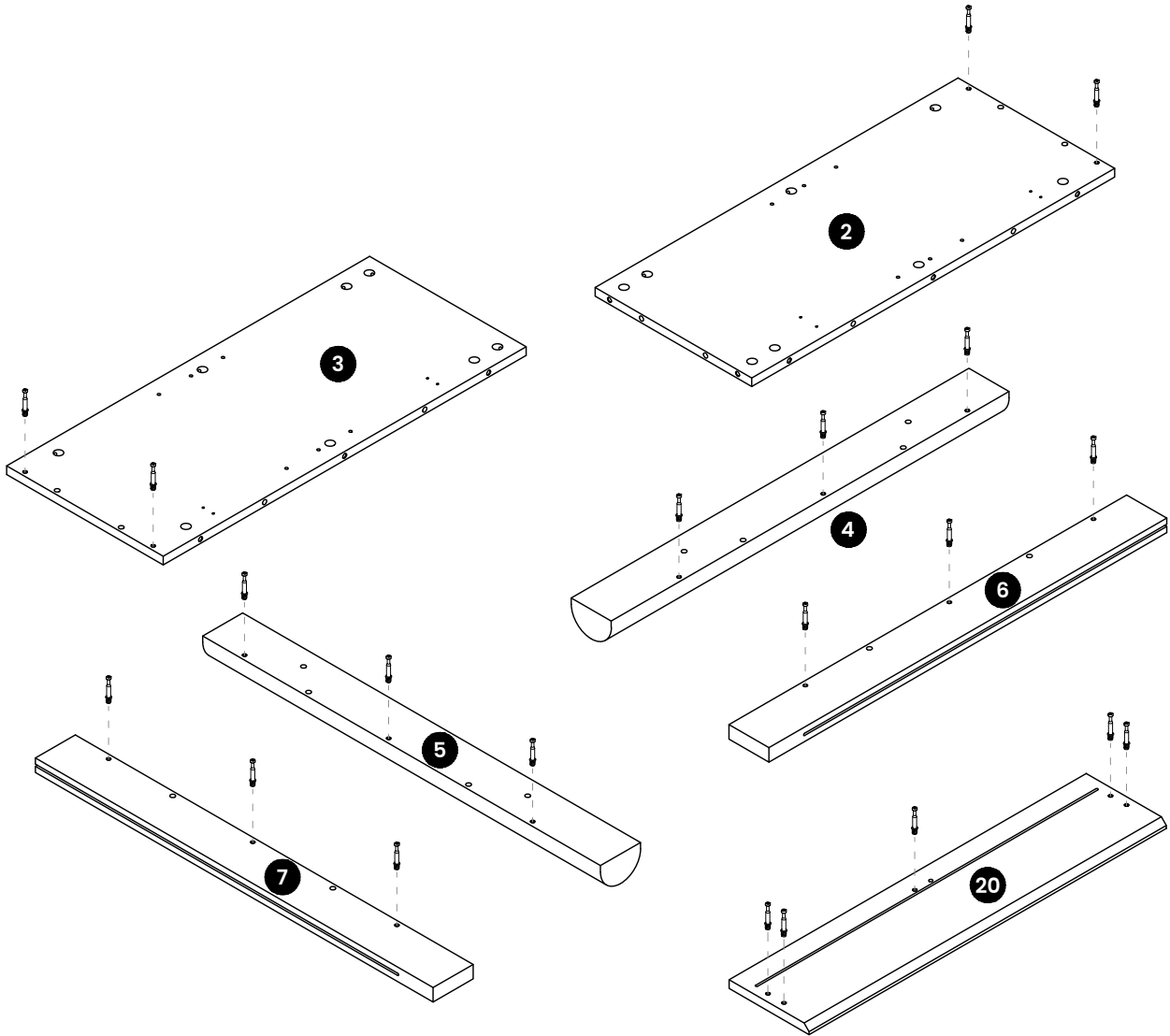
 Pay attention to the position of the screws

## STEP 2



Install the screw correctly to secure the screw.

STEP 3



Install the screw correctly to secure the screw.

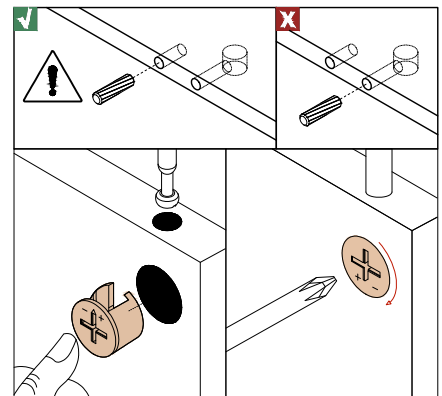
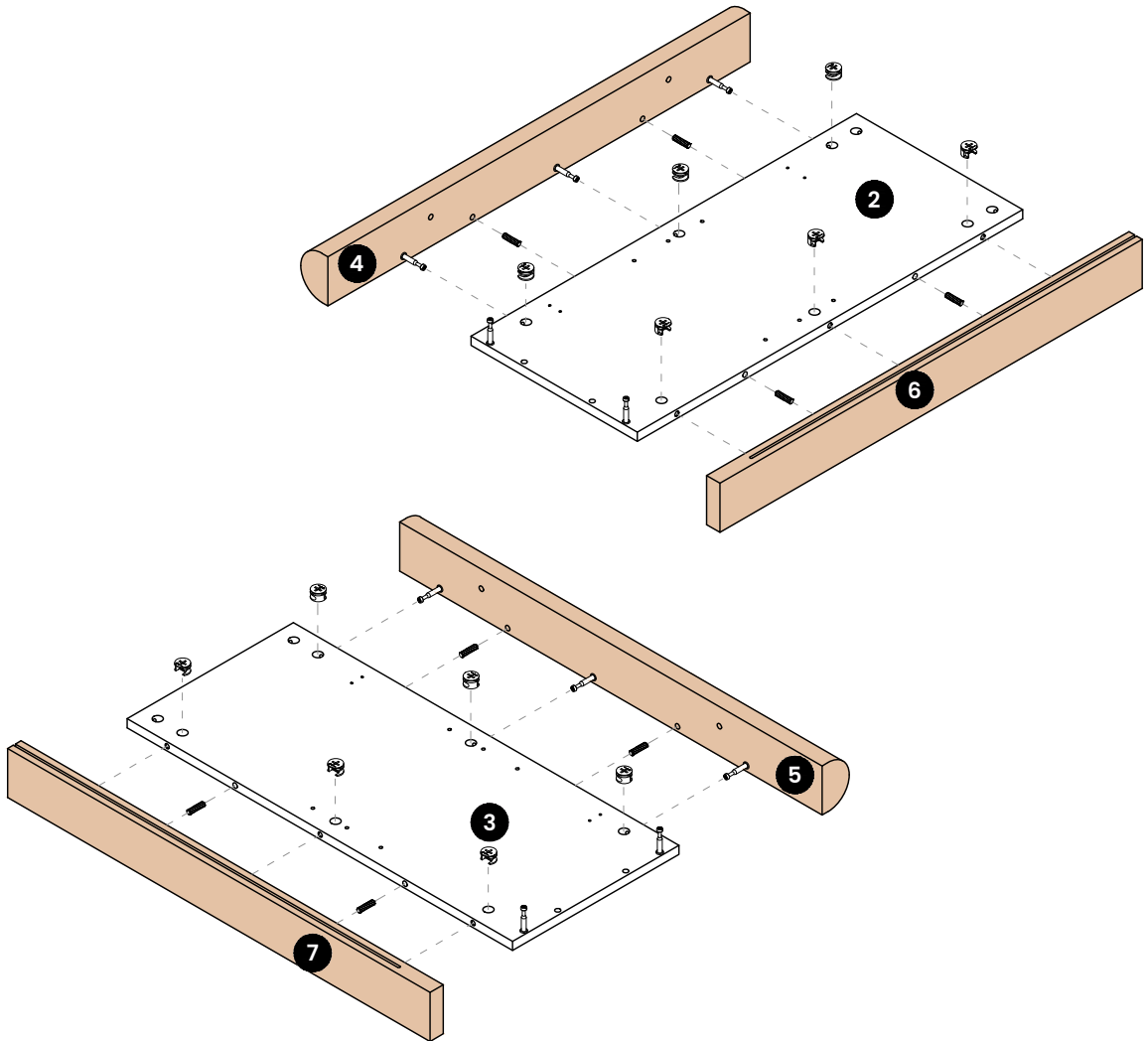
## STEP 4



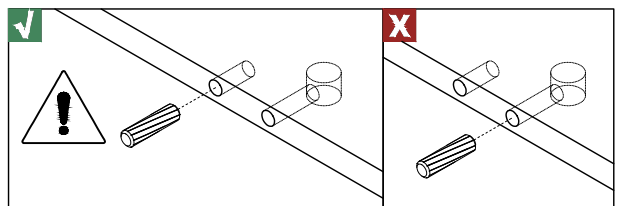
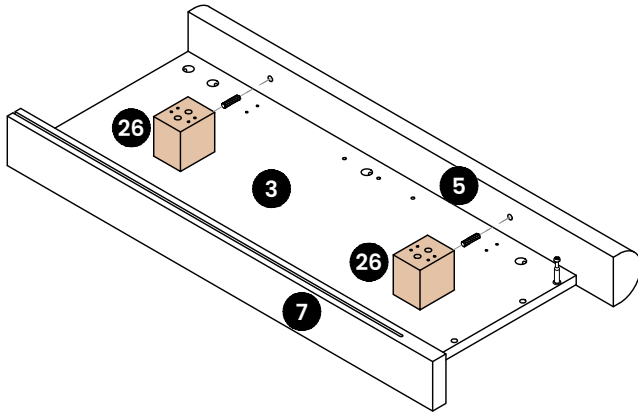
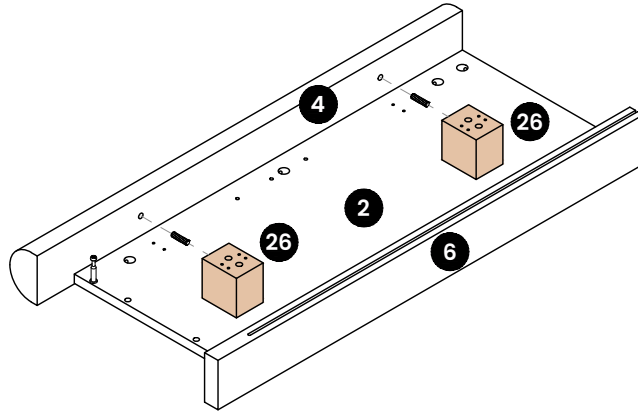
**A** X12



**D** X8



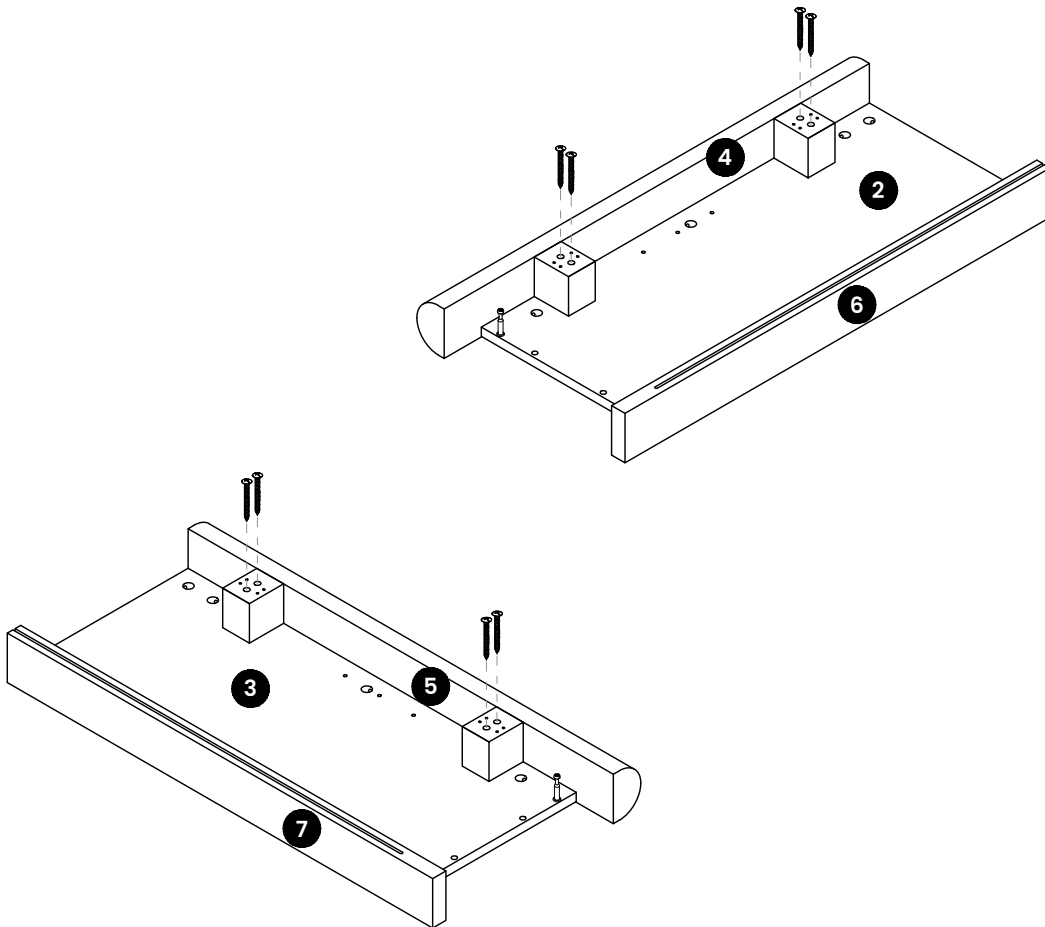
## STEP 5



STEP 6



**R** X8



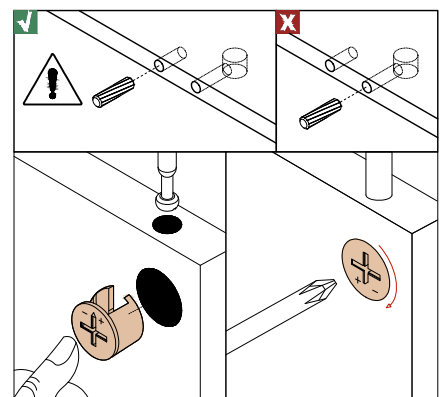
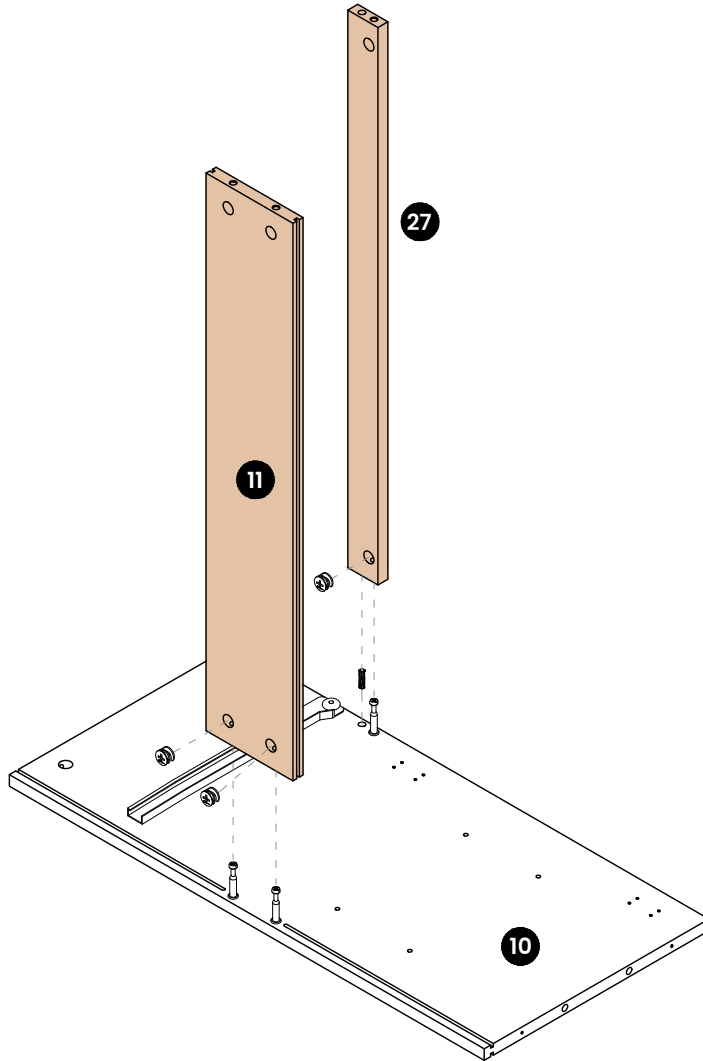
## STEP 7



**A** X3



**D** X1



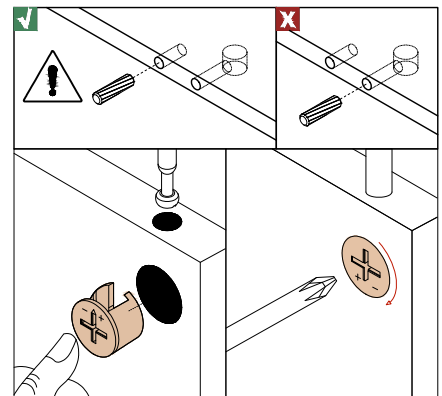
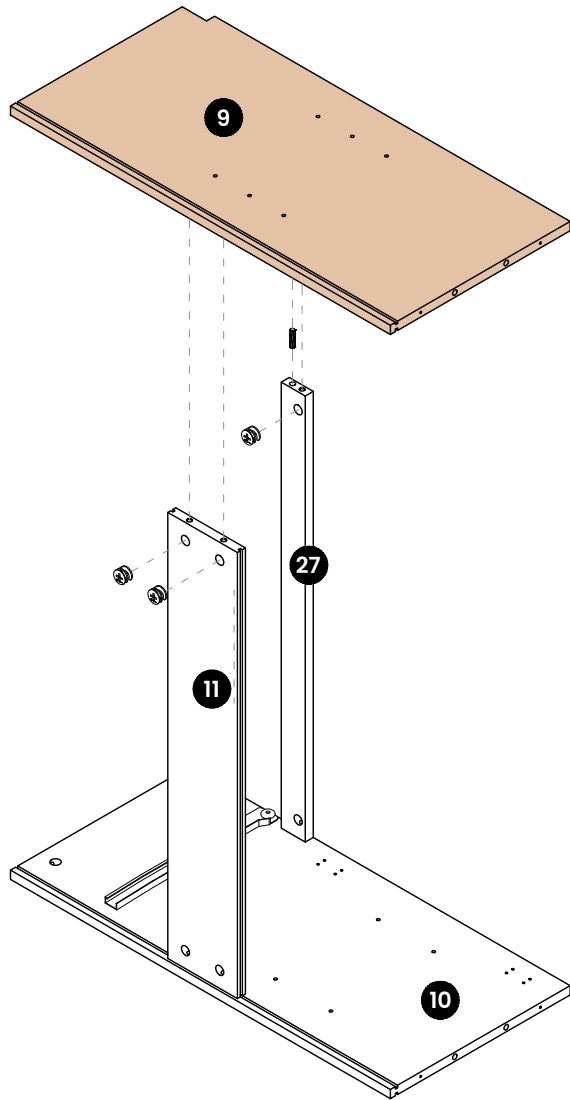
## STEP 8



**A** X3



**D** X1



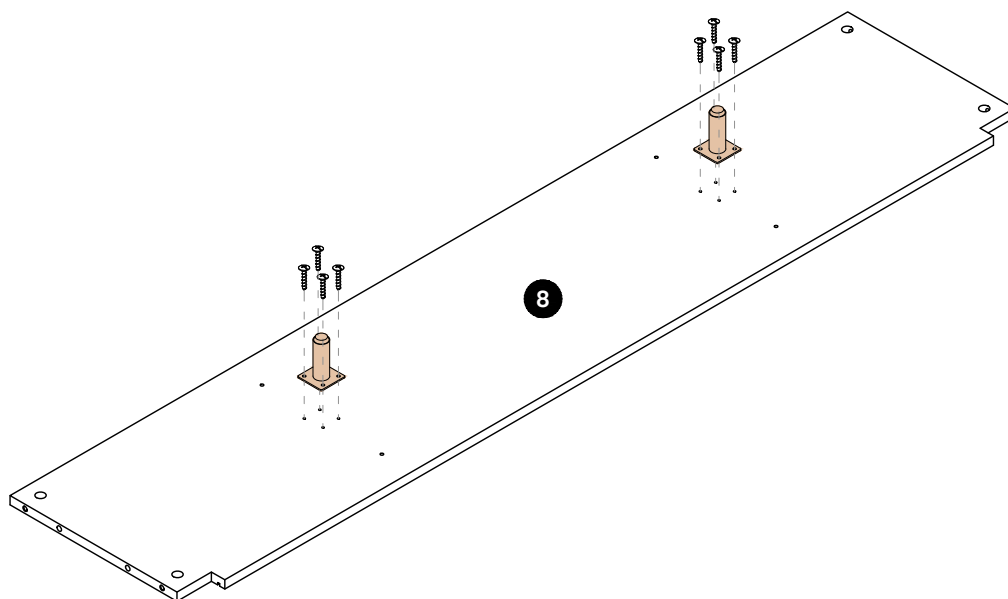
## STEP 9



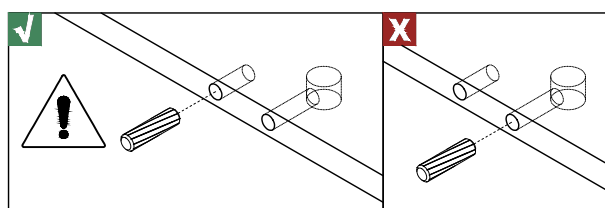
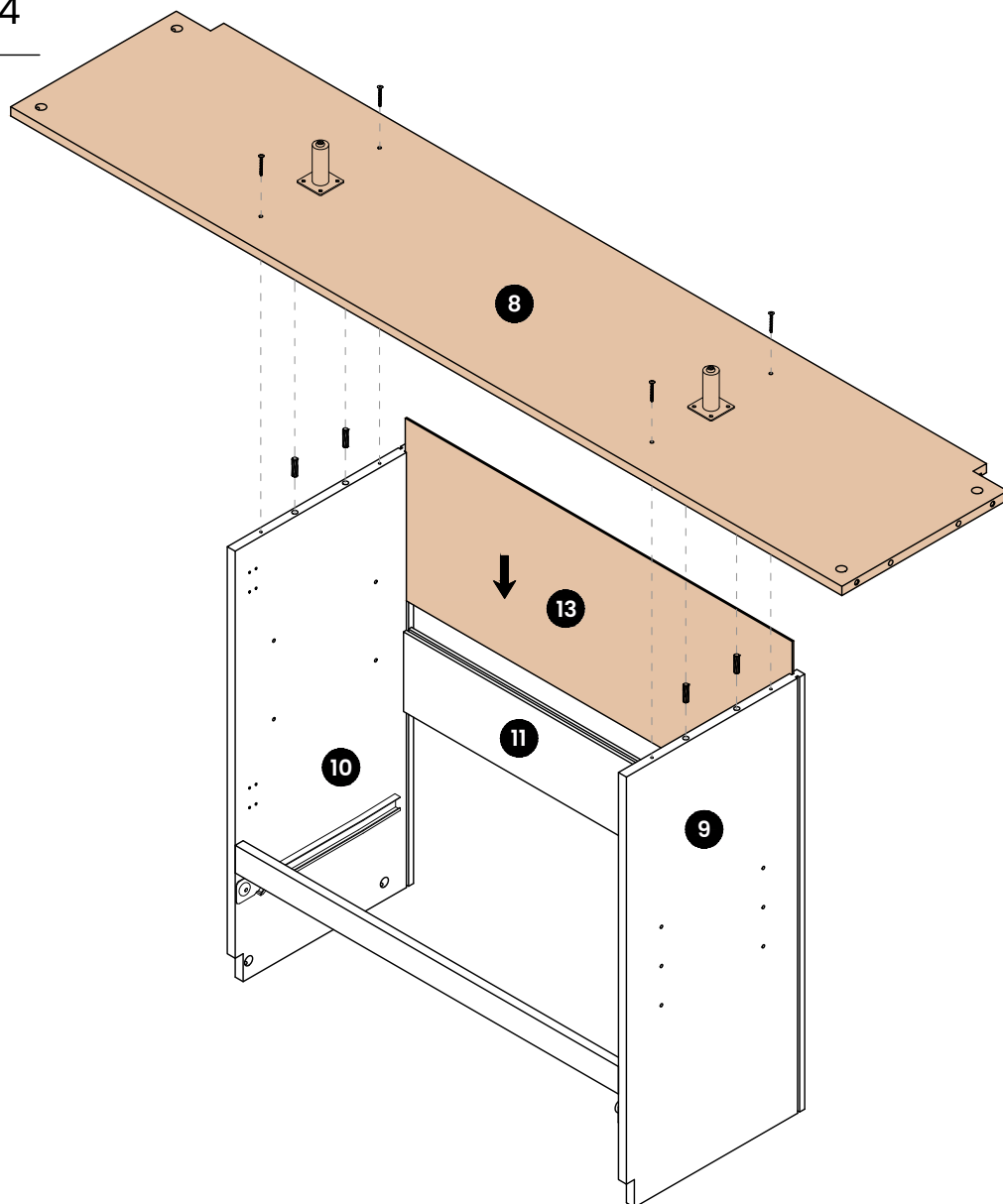
**I** X8



**O** X2



## STEP 10



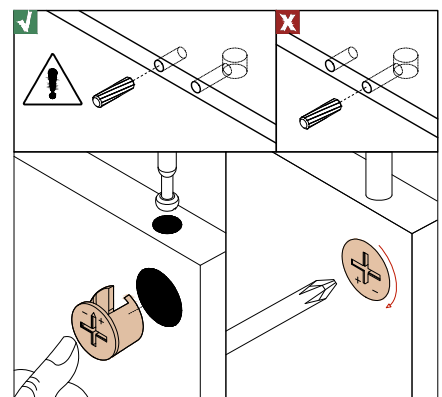
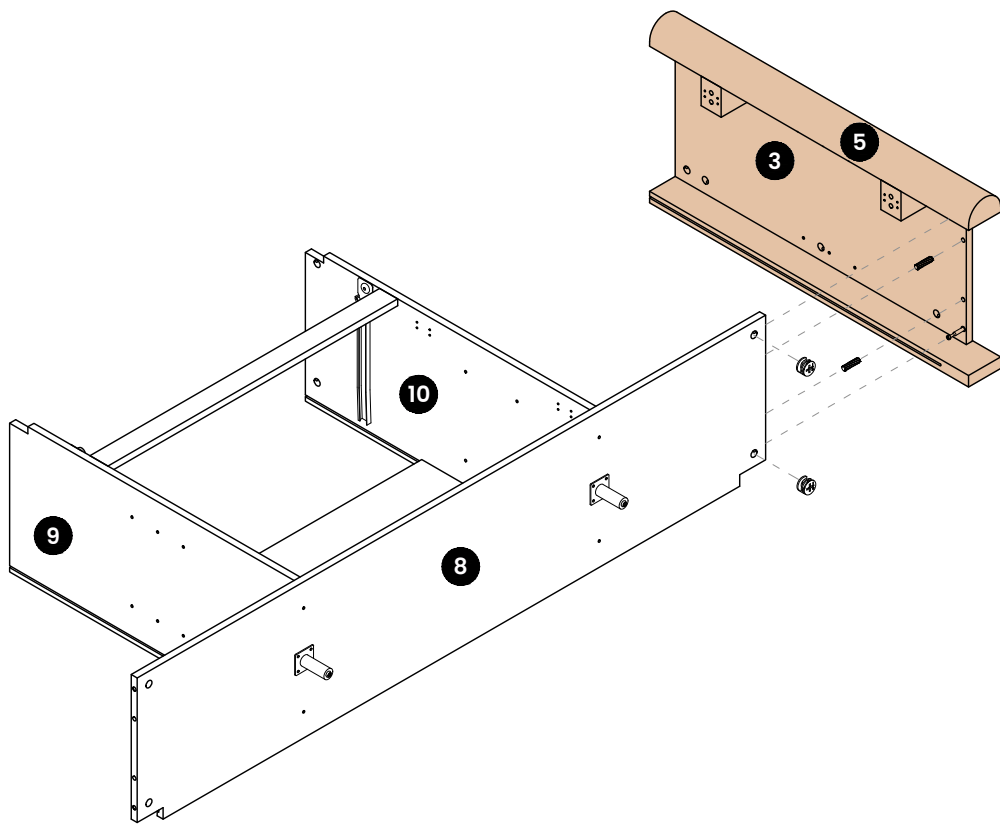
## STEP 11



**A** X2



**D** X2



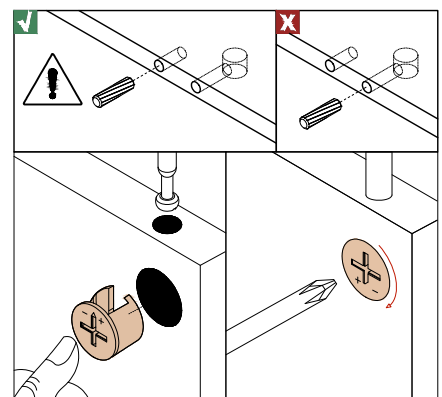
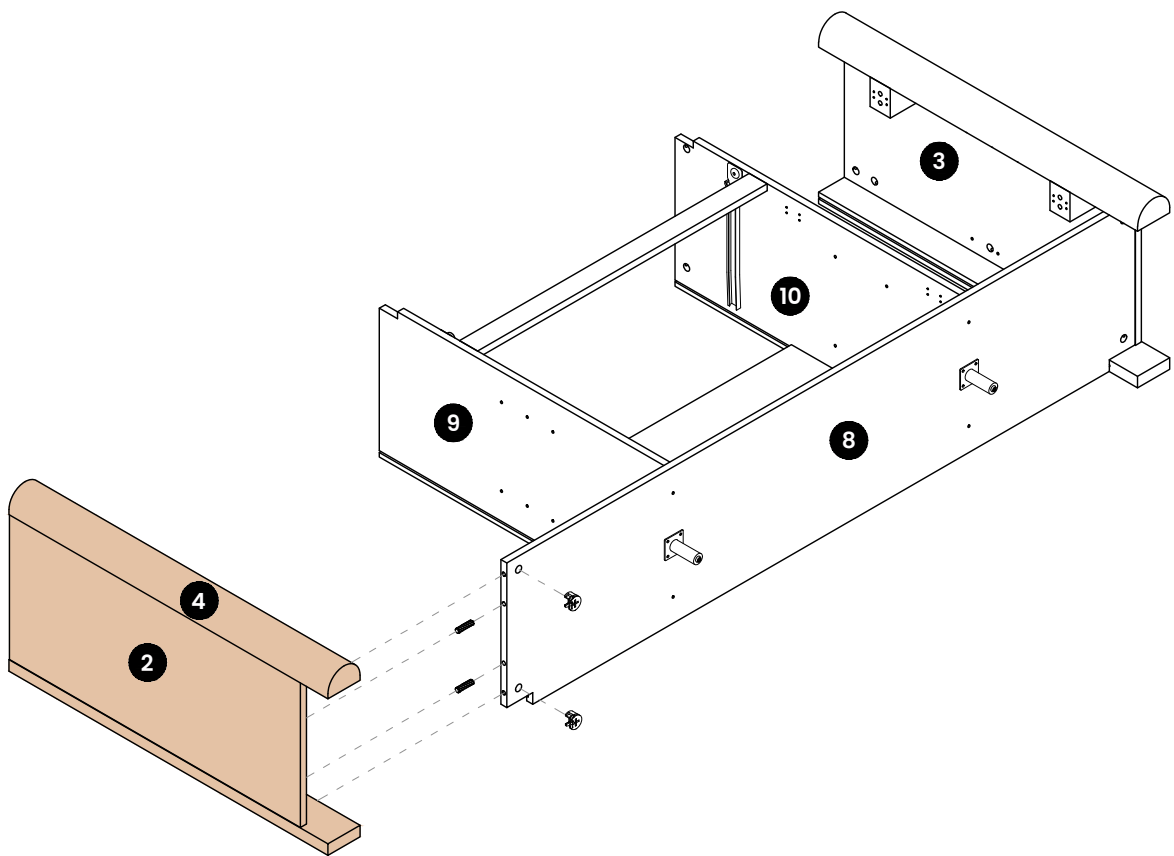
## STEP 12



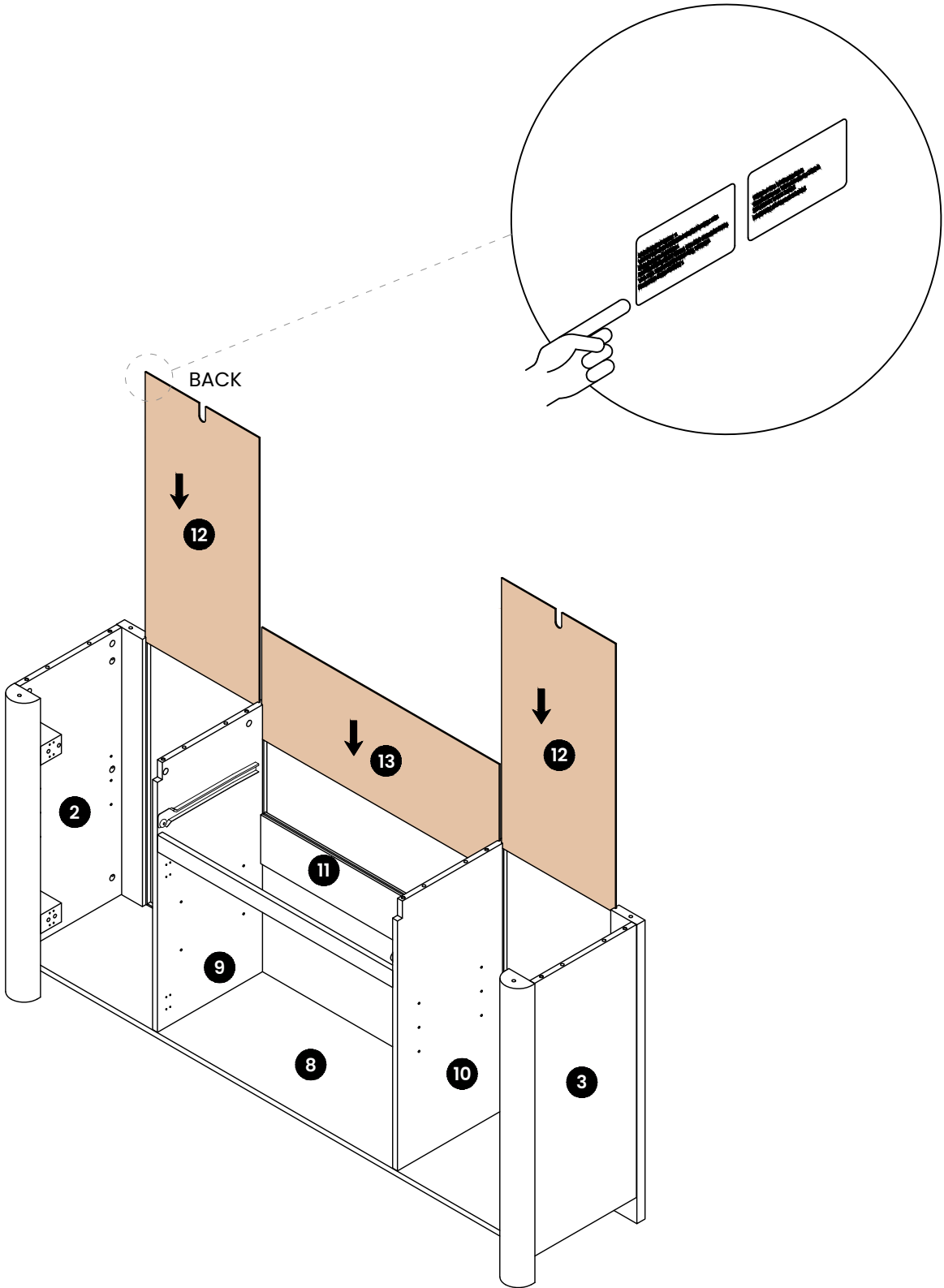
**A** X2



**D** X2



STEP 13



## STEP 14



**A** X4



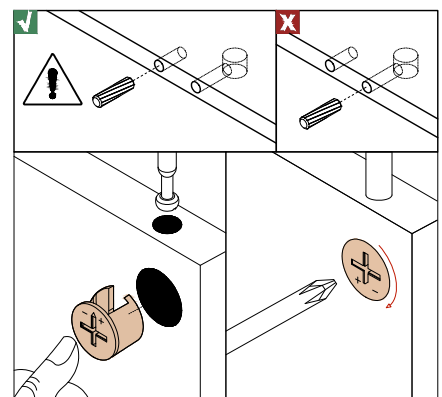
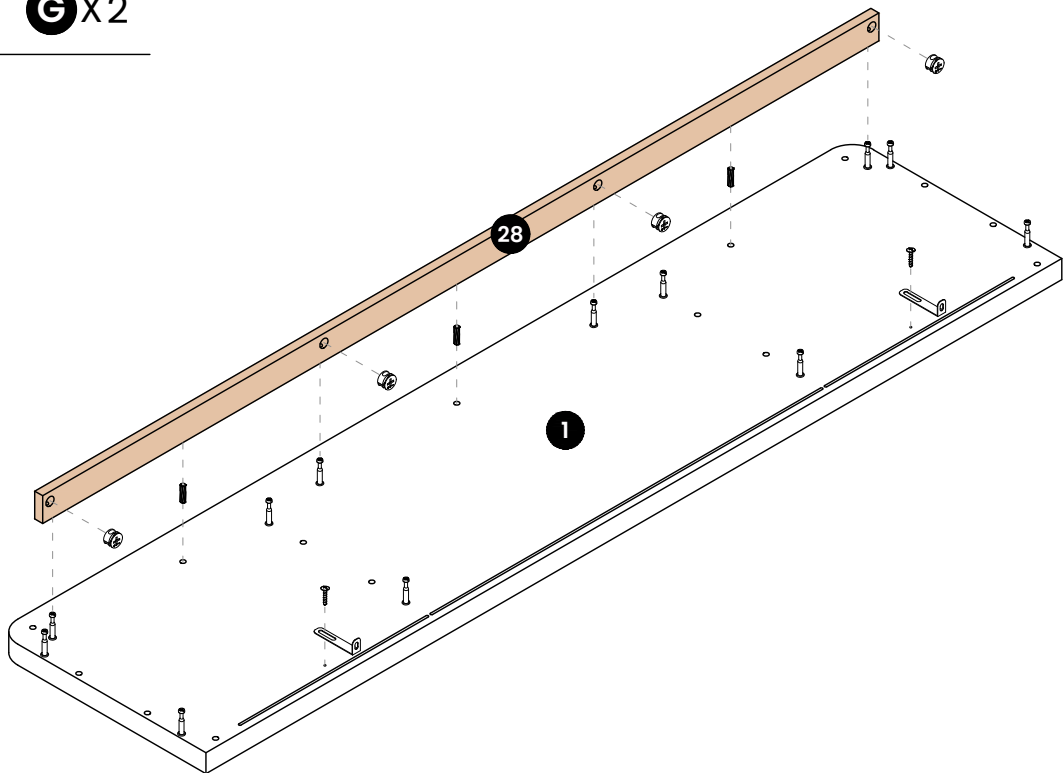
**D** X3



**I** X2



**G** X2



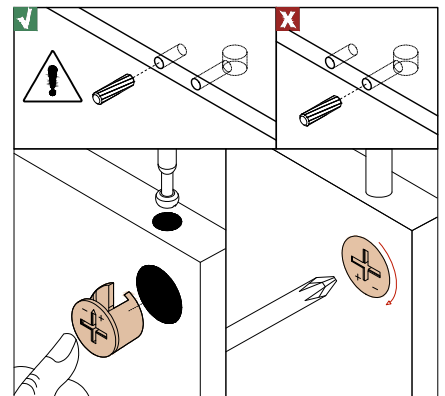
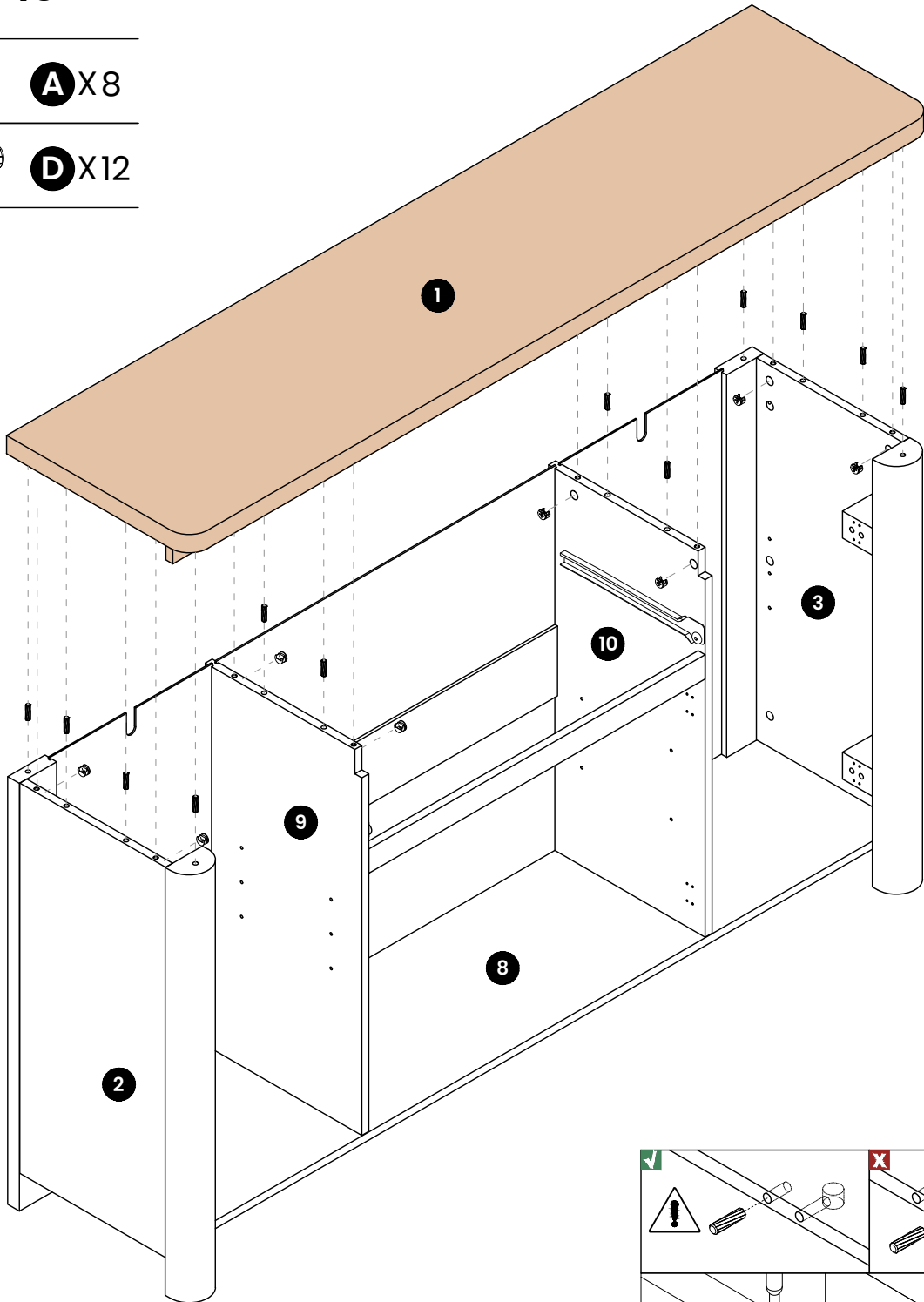
## STEP 15

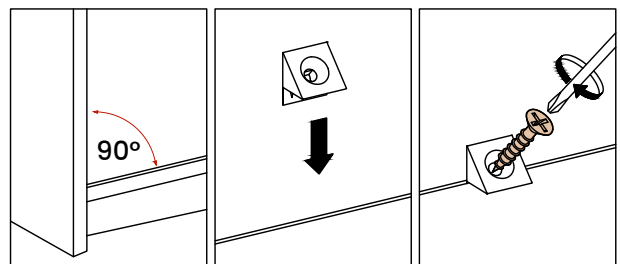
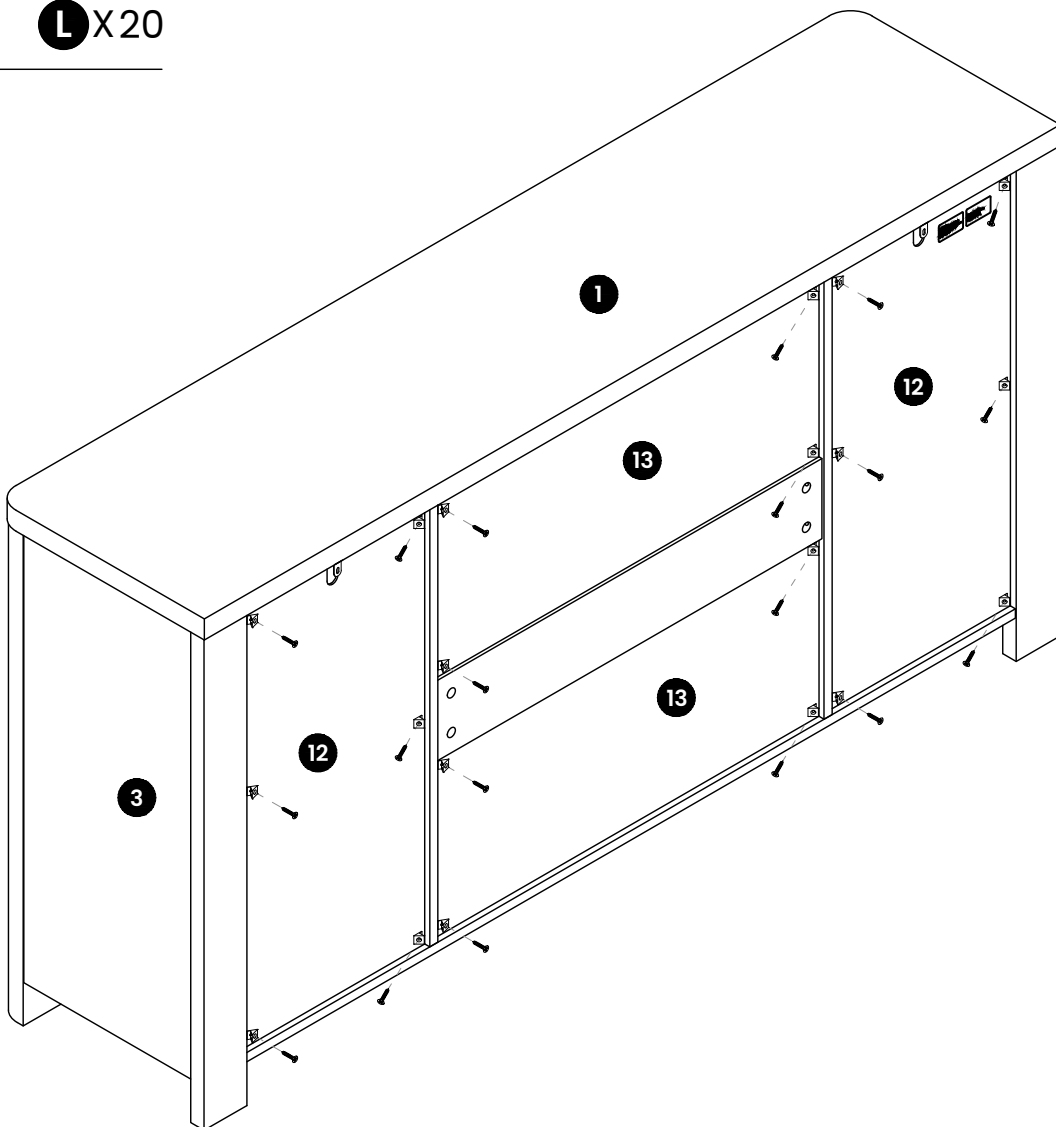


**A** X8



**D** X12



**STEP 16****K** X20**L** X20

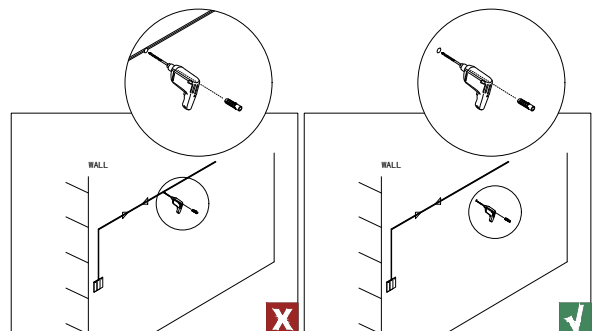
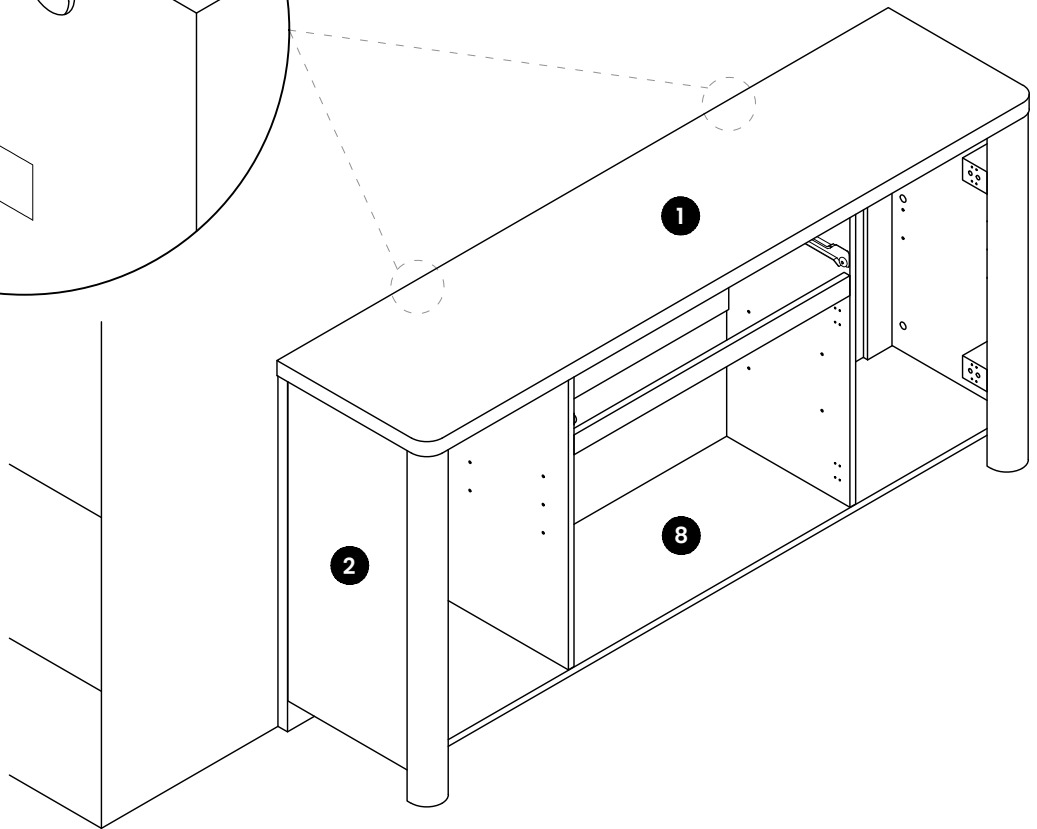
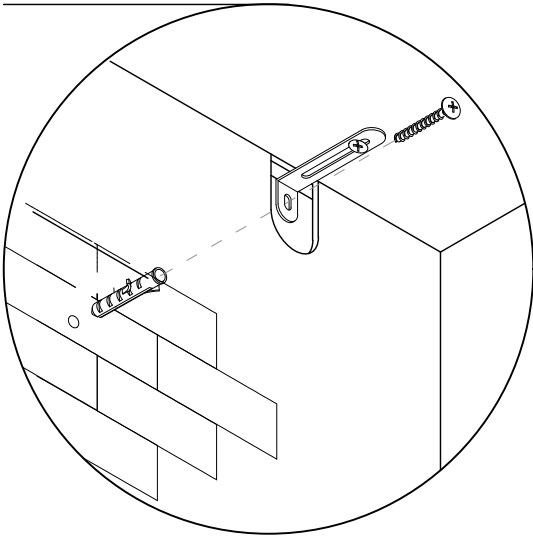
# STEP 17

## Wall-Mounted Installation

Step 1: Identify the correct location for the anti-tipping device on the wall and make a clear mark.

Step 2: Drill a hole, then fix the expansion plug firmly in the wall.

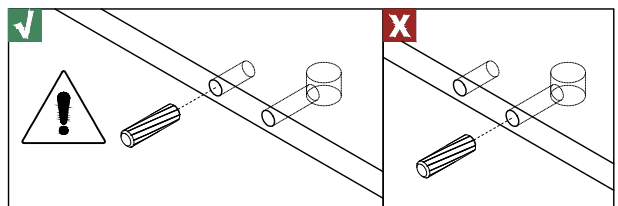
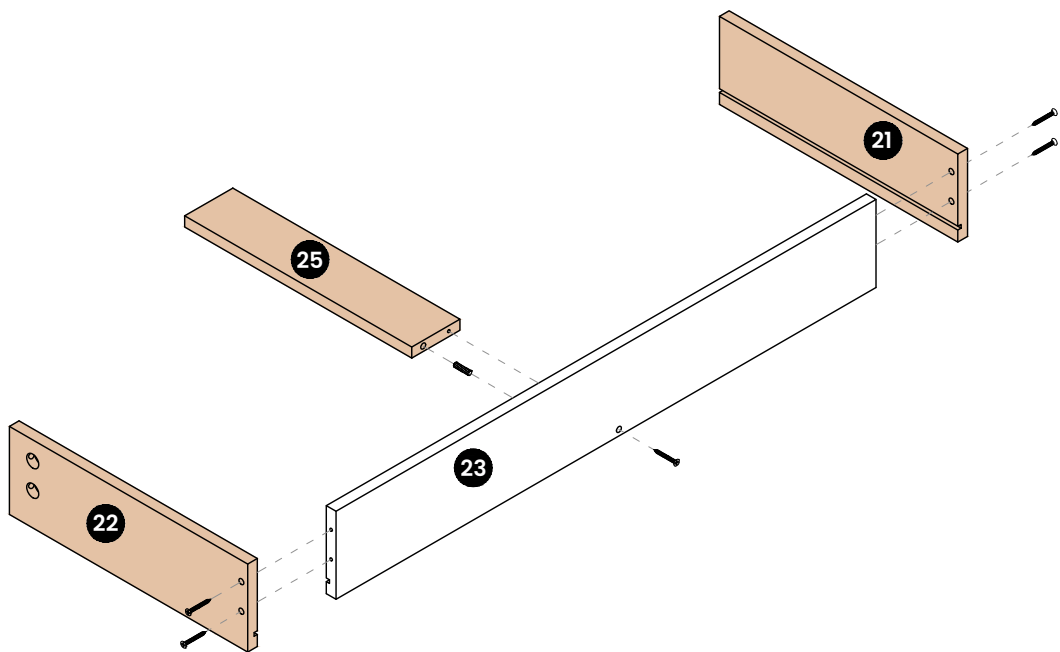
Step 3: Use screws to attach the L-shaped angle bracket to the wall.



## STEP 18

 **E** X5

 **C** X1



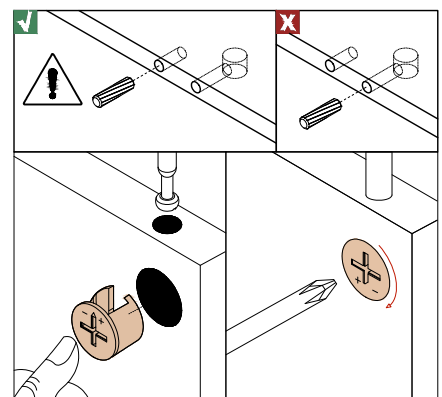
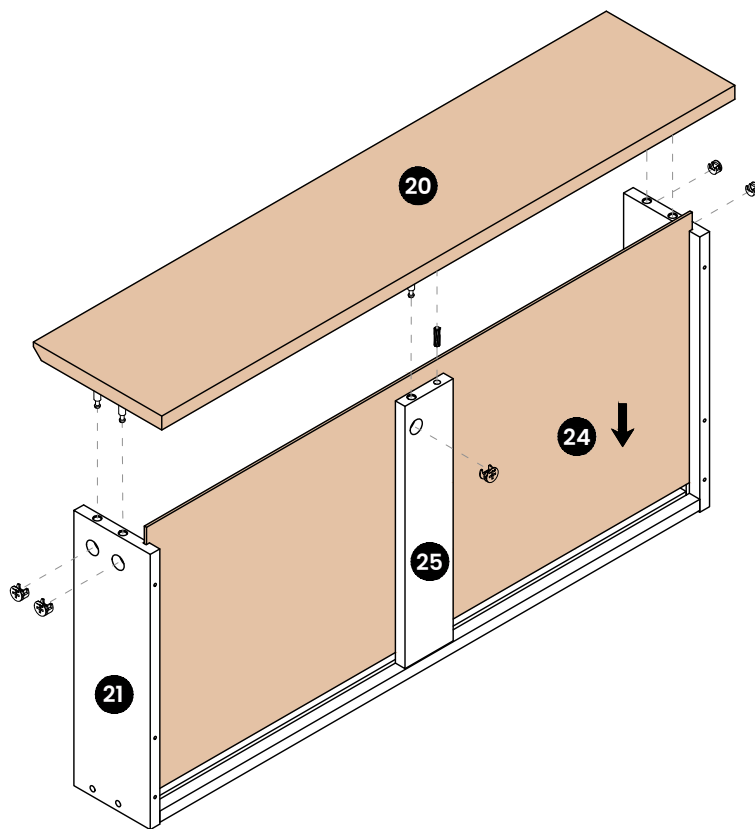
## STEP 19

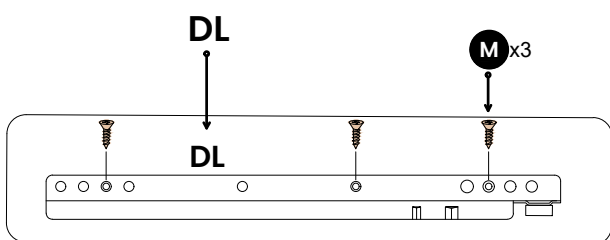
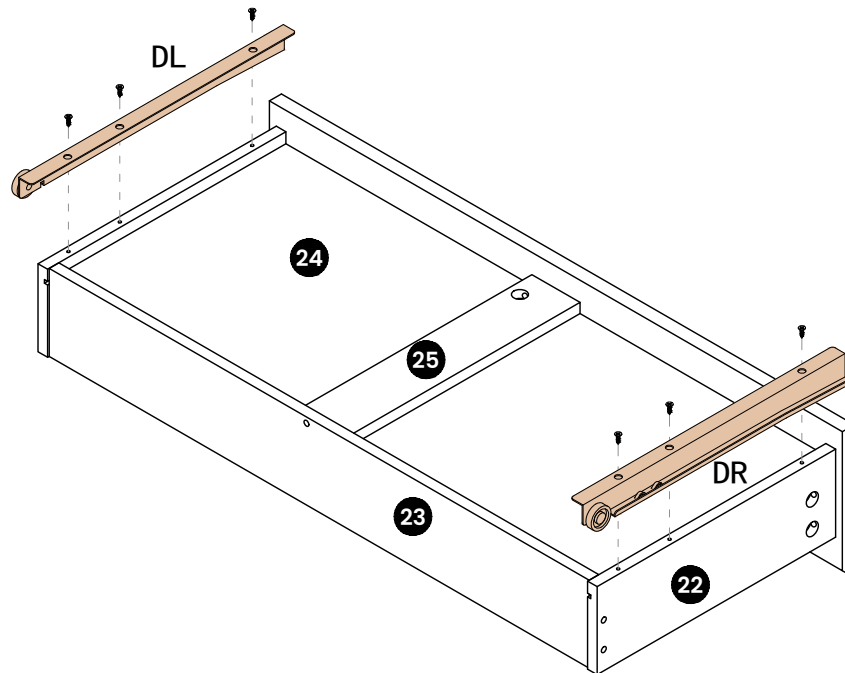
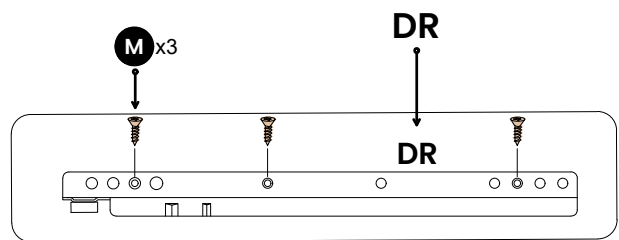


**A** X5

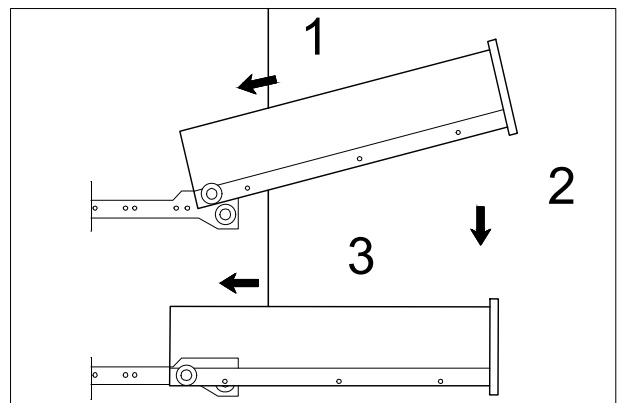
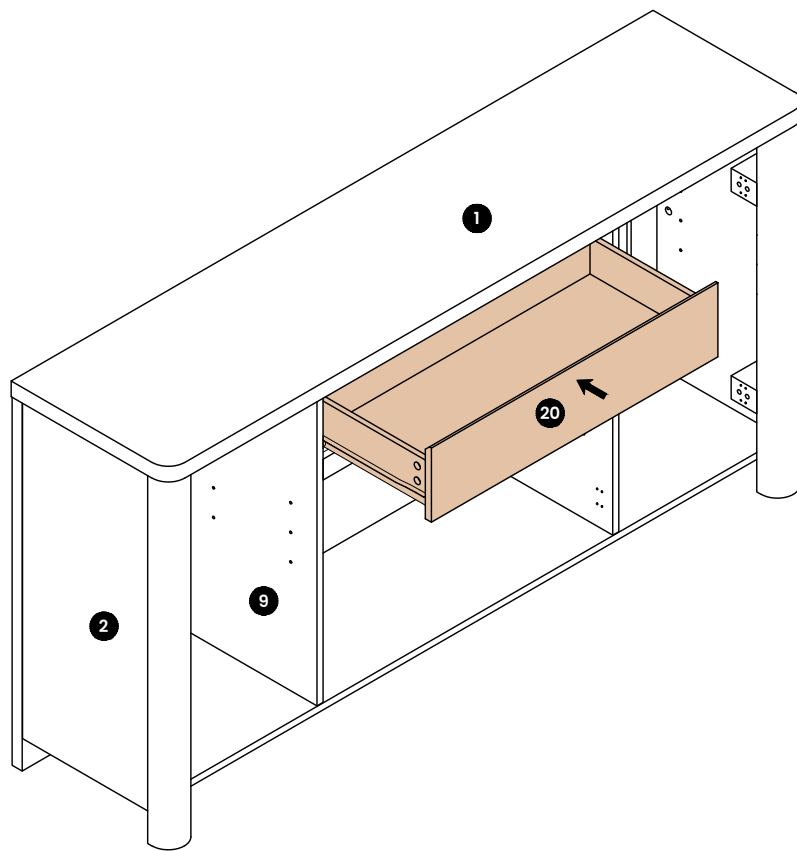


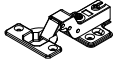
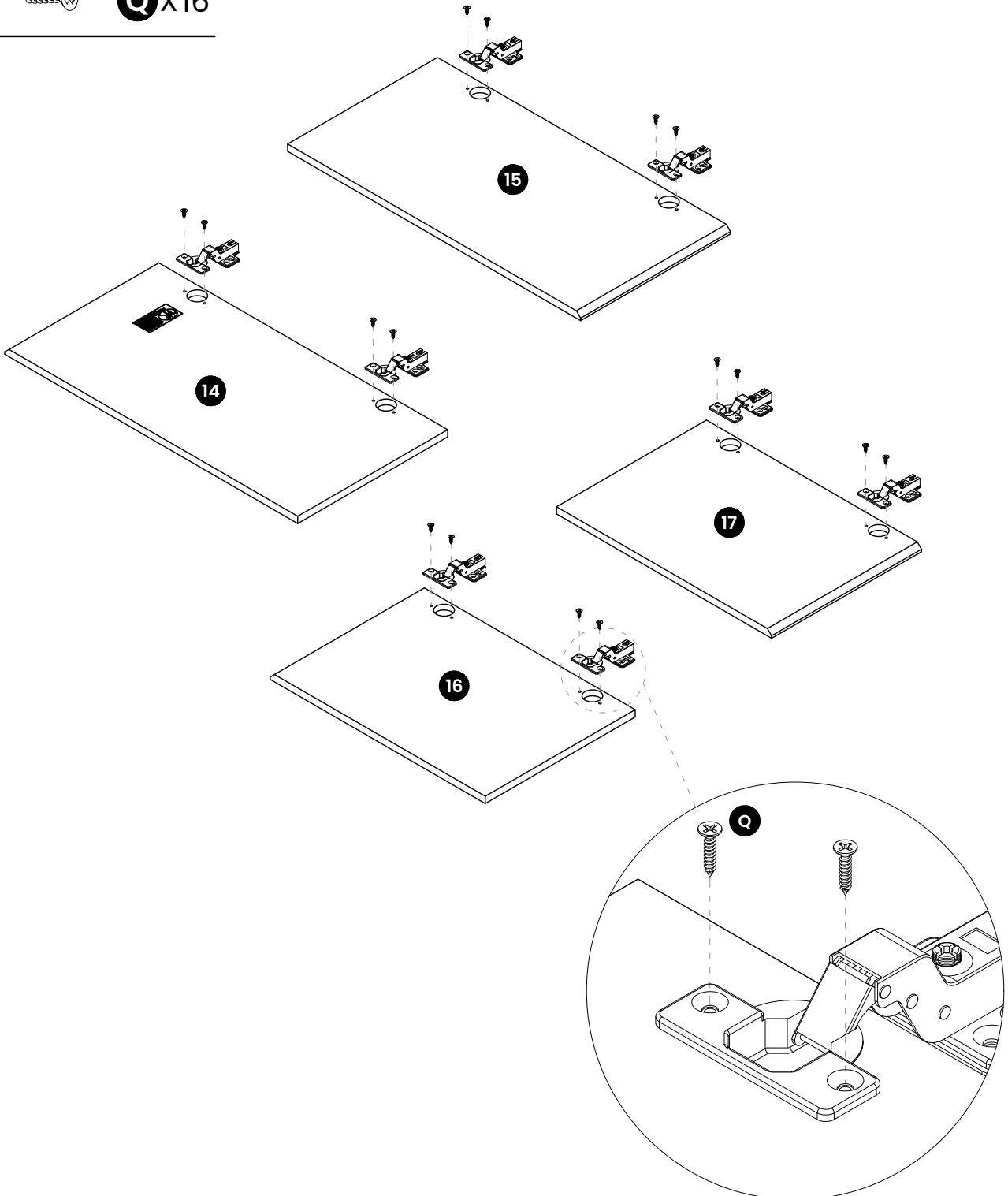
**C** X1



**STEP 20****M** X6**N** X1**!** Pay attention to the position of the screws**!** Pay attention to the position of the screws

STEP 21

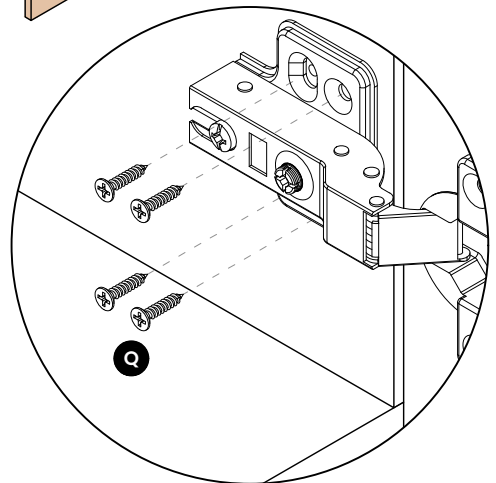
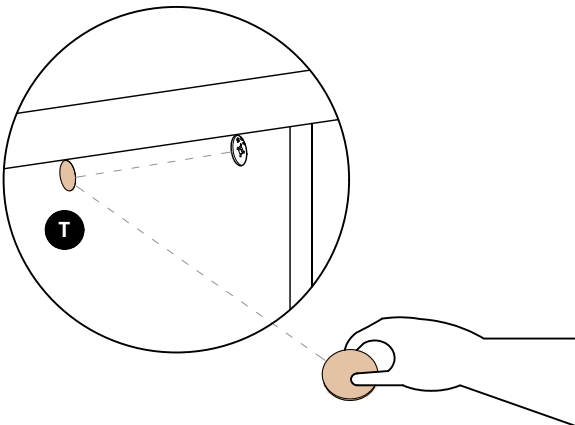
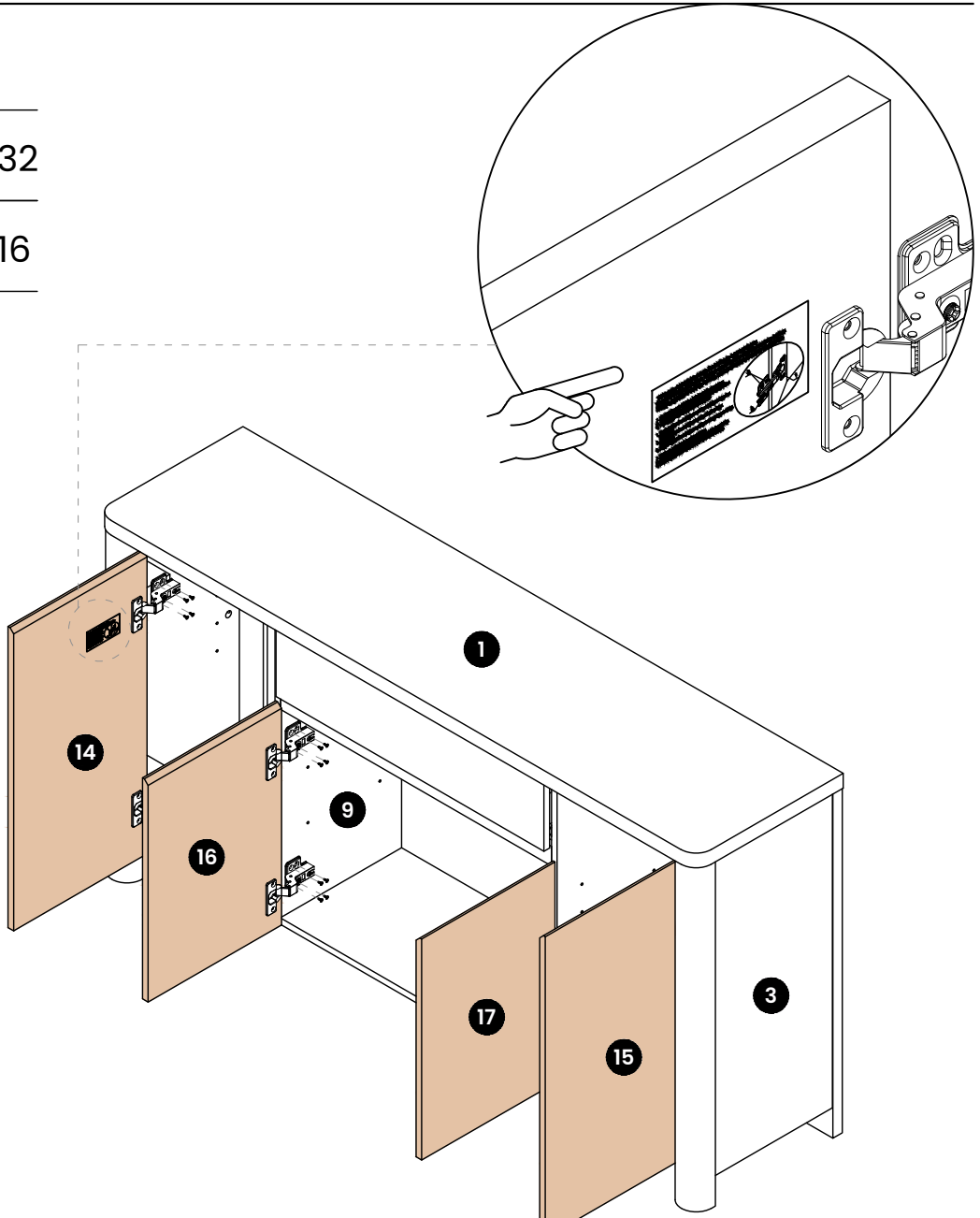


**STEP 22****P** X8**Q** X16

STEP 23

 **Q**X32

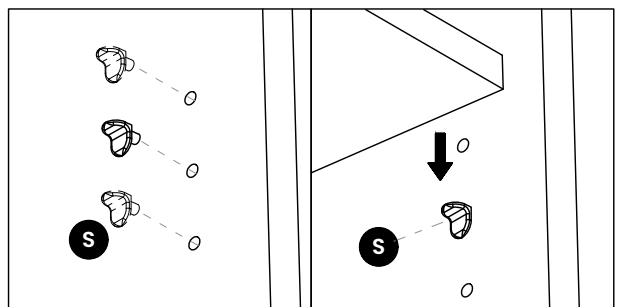
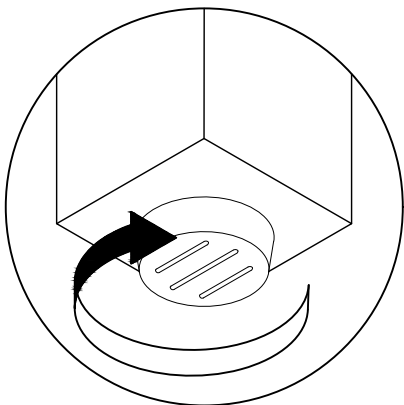
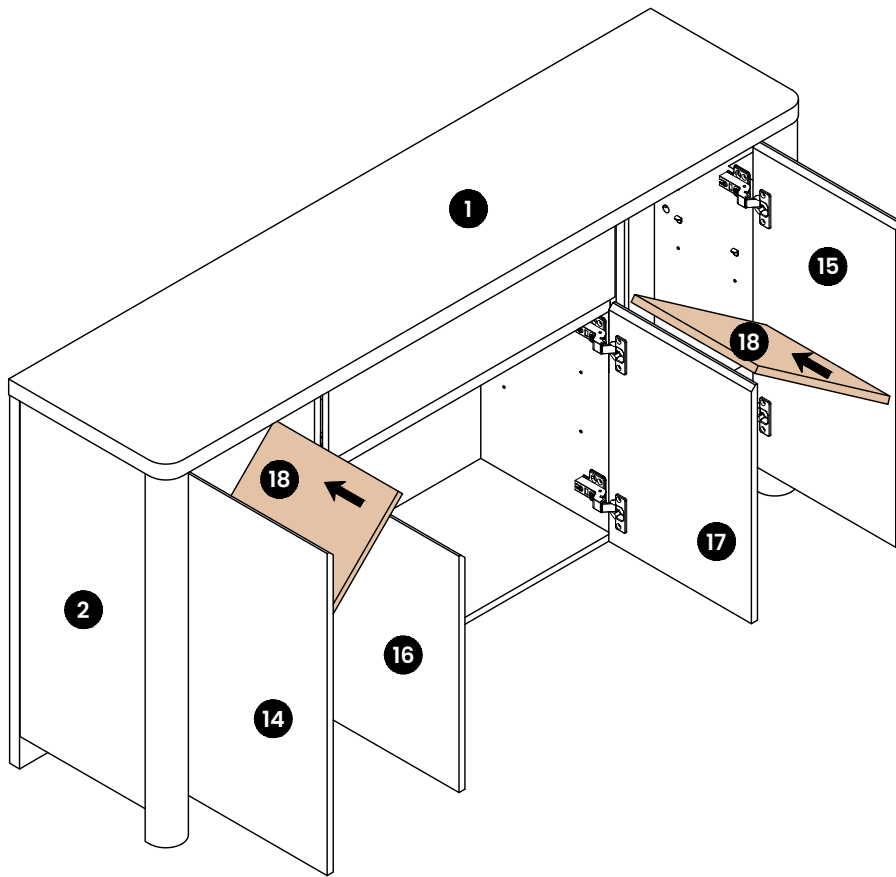
 **T**X16



## STEP 24



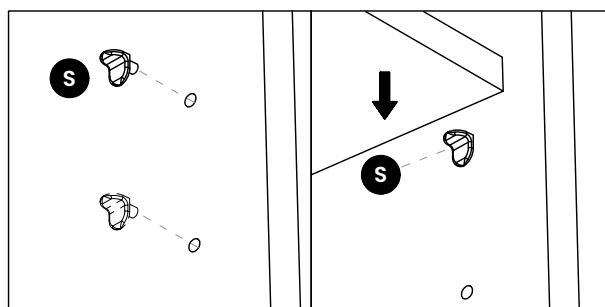
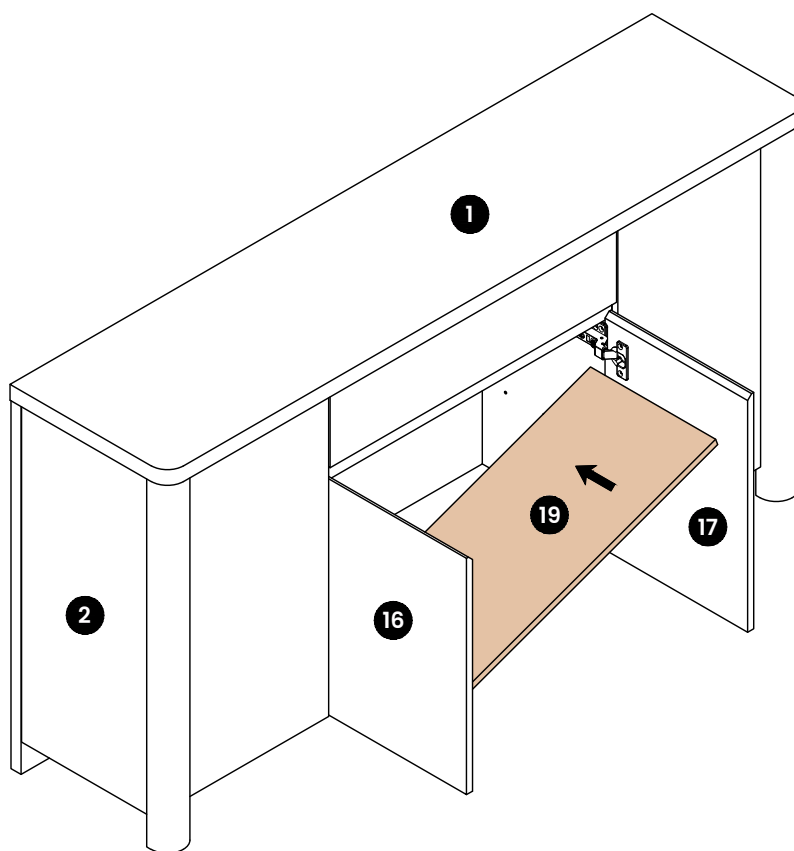
**S** X8



## STEP 25

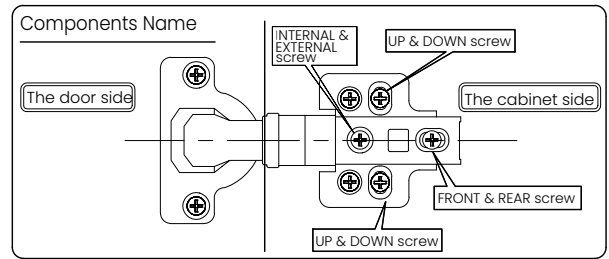


**S** X4



# The ways to adjust the door

- Before adjusting the hinge, please check whether the cabinet is skewed.
- If the skew can not be repaired, please remove the anti-tipping device first, then adjust the cabinet to vertical position.
- Please adjust the hinge with the door open.
- Please operate it with more than 2 people, one person holds the door and the other one adjusts the screw.



**When door is crooked**

Have a gap

Please take the following steps to adjust first.

- 1 Rotate the "front and rear screws" to the left
- 2 Push the door to the cabinet
- 3 Rotate the "front and rear screws" to the right

※ After adjusting the "front and rear screw", the door still does not change, please turn the "internal & external screw" to the right slightly.

**When door is leaning**

Overlap

Protruding to the underside

- 1 Turn "internal & external screw" to the left can make the top of the door tilted outward.
- 1 Turn "internal & external screw" to the left can make the bottom of the door tilted outward.

Protruding to the upside

Overlap

**When 2 doors are not tight**

Have gap

Have gap

- 1 Turn "internal & external screw" to the right can make the door approach inside. Please adjust the doors little by little.

※ If the 2 doors are overlap, please turn the "internal & external screw" to the left.

**When the door is higher on top**

Have gap

- 1 Turn "up & down screw" to the left
- 2 Lower the door's height so that 2 doors are of the same height.
- 3 Turn "up & down screw" to the right

※ If the door is lower on bottom, please lift up the left door slightly on step 2



After-Sales Service Hotline: (800) 661-5928