

# Thin Film Indoor Antenna

## Quick Setup Guide

BE-ANT200HAV2

**BEST BUY**  
**essentials**<sup>™</sup>

Before using your new product, please read these instructions to prevent any damage.

This antenna is designed for digital over-the-air TV broadcast reception. It can receive the TV signals available in your area in the VHF and UHF bands.

Range and performance can be impacted by several external factors. Refer to tips and troubleshooting for recommendations to improve reception.

### Package contents

- Ultra thin antenna
- 2-sided foam tape (one large, two small pieces)
- Quick Setup Guide

### Features

- Black/white two-sided design lets you choose the color that blends in best
- Thin antenna that's easy to place and provides ideal reception
- Thin coaxial cable makes cable routing easier without impacting performance

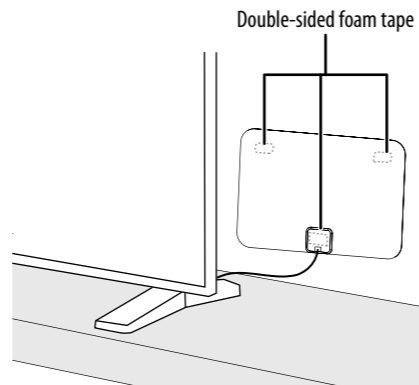
### Setting up and using your antenna

**1** Select a location to place your antenna. See "Tips for better reception" for more information.

**Note:** This is an indoor antenna. Do not place it outside.

**2** To hang your antenna, attach double-sided foam tape (included) to the back of it, then firmly press to the wall.

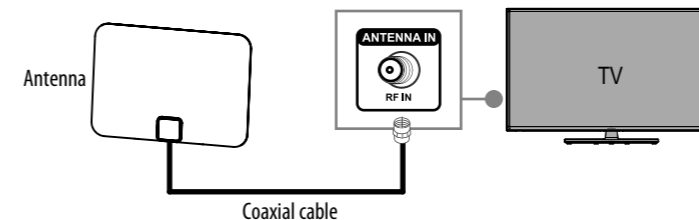
**Note:** DO NOT perform this step until you have found a location that provides the best reception. You can use tape to temporarily hang the antenna to the wall or other surface.



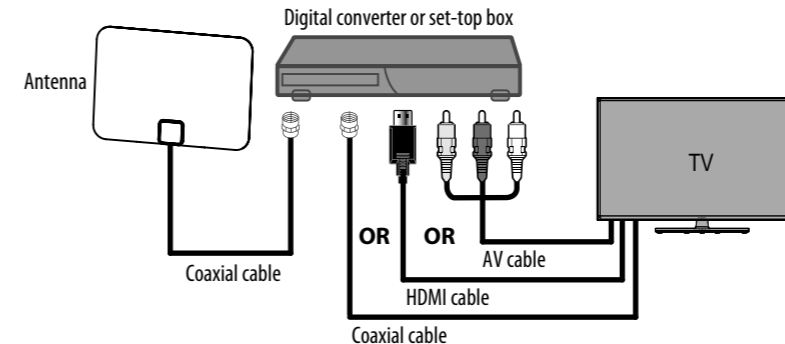
**3** Connect the antenna's coaxial cable to your TV, digital converter box, or set-top box:

- **TV:** Connect the antenna's coaxial cable to the coaxial jack on the back of your TV.

**Note:** If you have an HDTV with a digital TV (ATSC) tuner, you can connect the antenna directly to the HDTV. Older TVs may require a separate digital TV tuner or digital converter box.



- **Digital converter box or set-top box:** Connect the antenna's coaxial cable to your digital converter box or set-top box, then connect a video/audio cable (such as an HDMI, coaxial, or AV cable) from your converter box or set-top box to your TV.



**4** Turn on your TV, then press input or source to select the input your antenna is connected to.

**Note:** Turn on your digital converter box or set-top box if your antenna is connected to either device.

**5 Before using your antenna:**

**A.** Make sure that the channel you want to see is available in your area through the FCC link below:

<https://www.fcc.gov/media/engineering/dtvmaps>

You can also scan this QR code to access the link.



**B.** Open your TV's setup menu, then select the "scan" or "channel scan" option. Your TV automatically searches for available channels in your area. See your TV's user guide for detailed instructions.

**Note:** If you don't receive channels that you want, try moving your antenna to another location, then run the channel scan again.

## Tips for better reception

- Install the antenna as high as possible to avoid possible obstacles between the antenna and the transmission tower.
- If possible, place the antenna near windows.
- Keep the antenna away from sources of interference such as air conditioners, hair dryers, and microwave ovens.
- Run a channel scan every time you move your antenna.
- If possible, position your antenna toward the transmission tower. To determine which channels are available in your area, visit [www.antennaweb.org](http://www.antennaweb.org). Type in your zip code to get help with antenna placement.
- Test the antenna in multiple locations to find the strongest signal.
- This antenna is an indoor antenna. Do not place it outside.
- Run a channel scan monthly to make sure that you are receiving all possible channels.
- Some TVs have a signal strength indicator that can help with antenna placement. Check your TV manual to see if your TV has this feature.
- This antenna works with any TV or device with an ATSC tuner. See your device's manual to check compatibility.

## Troubleshooting

### I cannot find any channels.

- Make sure that you have selected the correct input on your TV.
- Make sure that all your connections are correct and secure.
- Move your antenna, then rescan for available channels on your TV or set-top box.
- Make sure that you are connected to a TV or set-top box with an ATSC tuner.

### The picture quality is good on some channels and poor or no reception on others.

- Move your antenna, then scan for available channels on your TV or set-top box.
- Keep the antenna away from sources of interference, such as air conditioners, hair dryers, and microwave ovens.
- Your antenna may be too far from the broadcast antenna to receive an adequate signal. The signal may also be affected by obstructions between the broadcast antenna and your antenna.
- Make sure that the signal strength from the antenna is adequate. Some TVs have a signal strength indicator. Check your TV manual to see if your TV has this feature.

### I don't know what digital TV reception I get in my area.

- To determine which channels are available in your area, visit [www.antennaweb.org](http://www.antennaweb.org). Type in your zip code to get help with antenna placement.

### Not all channels are available after performing a channel scan.

- Adjust your antenna, then scan for available channels on your TV or set-top box.
- Make sure that the signal strength from the antenna is adequate. Some TVs have a signal strength indicator. See your TV manual to see if your TV has this feature.

### I have more than one TV on which I want to view over-the-air TV.

- If you have poor reception or a poor signal, you will need to purchase an antenna for each TV that you would like to view over-the-air TV.  
OR
- You can purchase a coaxial splitter to allow for one antenna to provide channels to more than one TV.

### I am not receiving cable and streaming channels after a channel scan.

- Your antenna is capable of receiving local channels that are dependent on the broadcasters in your area.
- You can use the antenna alongside cable boxes and streaming devices, but it will not provide all of the same content offered by those devices.

### I want HD channels, but I do not have an HDTV.

- Your digital antenna will not upscale to HD if the TV is not HD. You will need to purchase an HDTV.

## Specifications

- **Dimensions (HxWxD):** 11.7 × 8.3 × .03 in. (298 × 210 × .8 mm)
- **Range:** 35 mi (56 km)  
**Note:** Range will vary depending on a wide range of environmental and geographic factors.
- **Frequency range:**
  - **VHF:** 174-230 MHz
  - **UHF:** 470-860 MHz
- **Cable length:** 10 ft. (3 m)
- **Impedance:** 75 ohm

## One-year limited warranty

Visit [www.bestbuy.com/bestbuyessentials](http://www.bestbuy.com/bestbuyessentials) for details.

## Contact Best Buy essentials

For customer service, call 1-866-597-8427 (U.S. and Canada)

[www.bestbuy.com/bestbuyessentials](http://www.bestbuy.com/bestbuyessentials)

Best Buy essentials is a trademark of Best Buy and its affiliated companies.

**BEST  
BUY**

Distributed by Best Buy Purchasing, LLC

Richfield, MN 55423 U.S.A.

©2026 Best Buy. All rights reserved.