

24" Bar Handle Dishwasher



800 Series – Stainless Steel SHX78DM5N



SHX78DM5N
Stainless Steel

Patented CrystalDry™ technology transforms moisture into heat to get dishes, including plastics, 60% drier.*

Features & Benefits

So quiet at 42 dBA, InfoLight® shines on the floor so you know the dishwasher is running.

The Flexible 3rd Rack with fold down sides adds 30% more* loading area, perfect for utensils and ramekins.

Enhance your cleaning experience with Wi-Fi enabled Home Connect®. Access additional wash cycles and options or choose the right one for your needs using Smart Cycle.

The Favorite button allows you to easily access your preferred cycle/option combination with 1 touch.

| General Properties | |
|---|---|
| Wash cycles (control panel) | 5 (Heavy, Auto, Normal, Speed60 (1hr Wash), Favorite) |
| Additional wash cycles (in Home Connect®) | 3 (Delicate, Rinse, MachineCare) |
| Options (control panel) | 3 (Sanitize, Remote Start, Crystal Dry) |
| Additional options (in Home Connect®) | 2 (Half Load, Eco) |
| dBA | 42 |
| Wash system | PrecisionWash® |
| Drying system | CrystalDry™ |
| Third rack | Flexible 3rd Rack |
| Rack adjustability | RackMatic® |
| Tub material | Stainless steel |
| Concealed water heating element | Yes |
| Leak protection system | 24/7 AquaStop® |
| Home Connect® (Wi-Fi enabled) | Yes |
| NSF®-certified** sanitize option | Yes |
| Water softener | No |
| Five-level wash | Yes |
| Child Lock button suspension | No |
| Anti-Fingerprint Finish | Yes |
| Special features | CrystalDry™ Option, InfoLight® |
| Efficiency | |
| Water usage per cycle | 3.2 gal |
| ENERGY STAR® Certified | Yes |
| Total annual energy consumption | 240 kWh |

Capacity

Number of place settings 16

Technical Details

Watts 1440 W

Current 12 Amps

Volts 120 V

Frequency 60 Hz

Power cord full length 67"

Power cord install length from edge of unit when facing the door
Left – 45"
Right – 56"

Minimum water pressure 14 lb/sin

Length outlet hose 78 3/4"

Dimensions & Weight

Overall appliance dimensions (HxWxD) 33 7/8" x 23 9/16" x 23 3/4"

Required cutout size (HxWxD) 33 7/8" x 24" x 24"

Adjustable feet Yes

Net weight 96 lbs

Accessories—Optional

Junction Box SMZPCJB1UC

Junction Box + Supply Hose Kit SMZ3IN1UC

Supply Hose Kit with Elbow SMZSH1ABUC

Drain Hose Extension Kit SGZ1010UC

Edge Protector + Power Cord Clip Install Kit SMZEPCC1UC

Flexible 3rd Rack SMZCD200UC



* Based on aggregate average drying performance of Bosch Dishwashers with CrystalDry™ on combined household load including plastics, glass, steel, and porcelain as compared to Bosch Dishwashers with PureDry®. Drying performance may vary by dish type.

* Compared to a Bosch dishwasher with 2 racks.

** Certification to NSF/ANSI Standard 184 for residential dishwashers.

Accessories: To purchase Bosch accessories, cleaners & parts please visit www.bosch-home.com/us/store or call 1-800-944-2904 (Mon to Fri 5 am to 6 pm PST, Sat 6 am to 3 pm PST).

Notes: All height, width and depth dimensions are shown in inches. BSH reserves the absolute and unrestricted right to change product materials and specifications, at any time, without notice. Consult the product's installation instructions for final dimensional data and other details prior to making cutout.

Warranties: Please see Use & Care manual or Bosch website for statement of limited warranty.

For more information on our entire line of products, go to www.bosch-home.com/us or call 1-800-944-2904

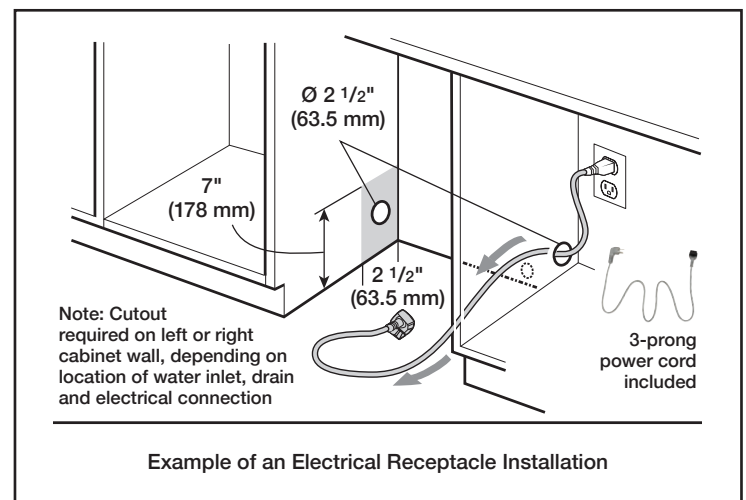
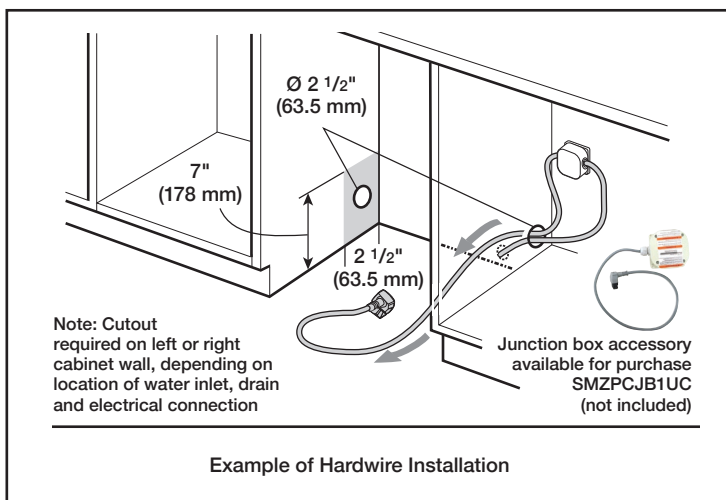
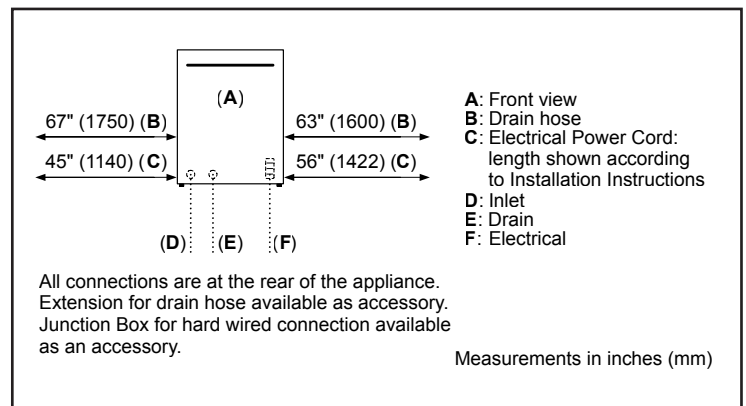
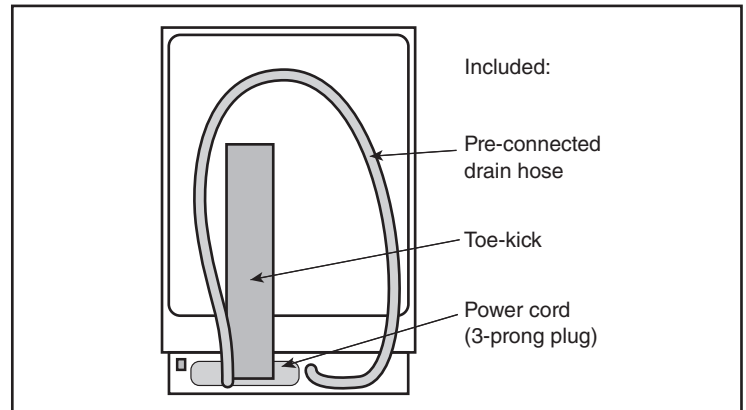
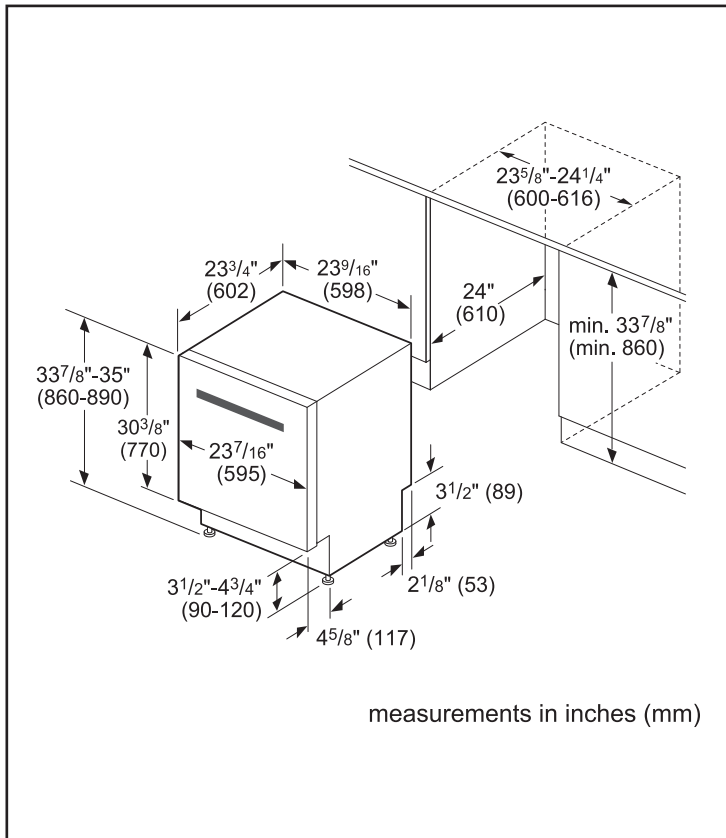
© BSH Home Appliances Corporation. All rights reserved. Bosch is a registered trademark of Robert Bosch GmbH.

24" Bar Handle Dishwasher



800 Series – Stainless Steel SHX78DM5N

Installation Details



Accessories: To purchase Bosch accessories, cleaners & parts please visit www.bosch-home.com/us/store or call 1-800-944-2904 (Mon to Fri 5 am to 6 pm PST, Sat 6 am to 3 pm PST).

Notes: All height, width and depth dimensions are shown in inches. BSH reserves the absolute and unrestricted right to change product materials and specifications, at any time, without notice. Consult the product's installation instructions for final dimensional data and other details prior to making cutout.

Warranties: Please see Use & Care manual or Bosch website for statement of limited warranty.

For more information on our entire line of products, go to www.bosch-home.com/us or call 1-800-944-2904

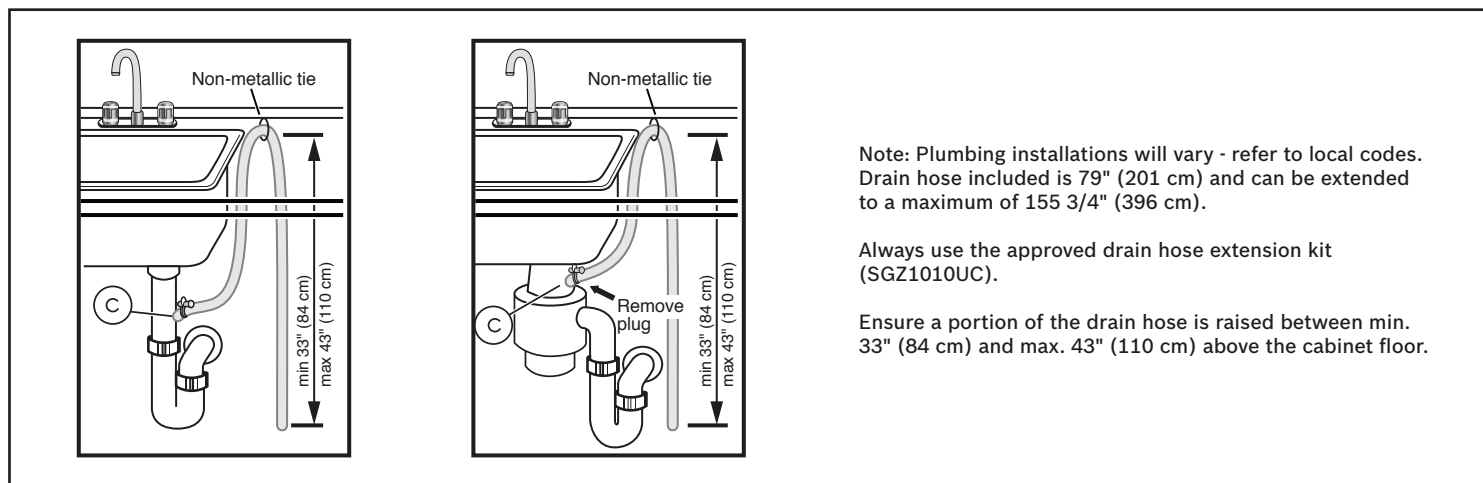
© BSH Home Appliances Corporation. All rights reserved. Bosch is a registered trademark of Robert Bosch GmbH.

24" Bar Handle Dishwasher



800 Series – Stainless Steel SHX78DM5N

Installation Details



Note: Plumbing installations will vary - refer to local codes. Drain hose included is 79" (201 cm) and can be extended to a maximum of 155 3/4" (396 cm).

Always use the approved drain hose extension kit (SGZ1010UC).

Ensure a portion of the drain hose is raised between min. 33" (84 cm) and max. 43" (110 cm) above the cabinet floor.

Accessories: To purchase Bosch accessories, cleaners & parts please visit www.bosch-home.com/us/store or call 1-800-944-2904 (Mon to Fri 5 am to 6 pm PST, Sat 6 am to 3 pm PST).

Notes: All height, width and depth dimensions are shown in inches. BSH reserves the absolute and unrestricted right to change product materials and specifications, at any time, without notice. Consult the product's installation instructions for final dimensional data and other details prior to making cutout.

Warranties: Please see Use & Care manual or Bosch website for statement of limited warranty.

For more information on our entire line of products, go to www.bosch-home.com/us or call 1-800-944-2904

© BSH Home Appliances Corporation. All rights reserved. Bosch is a registered trademark of Robert Bosch GmbH.