

URBV315 - 15" BEVERAGE CENTER

THE HOME COLLECTION

U-LINE



DESIGN

Black interiors with stainless steel accents.

Classic bar door pull on stainless steel model.

Concealed, zero-clearance **articulating door hinge**.

Panel-ready integrated doors, customizable with your panel and hardware, or **choose from our accessory options**.

FEATURES

Built for both **indoor & outdoor use**, with condensation mitigation system.

Carbon filter for enhanced air quality and odor reduction.

Center cabinet vertical lighting: Complete illumination for full visibility throughout the entire interior.

Door alarm activates when the door is left open.

Effortless entry door: Minimizes the physical effort needed, enhancing ease of use for all family members.

Electronic touch control enables precise temperature selection from **34°F to 70°F**.

Evenly distributed forced-air refrigeration system delivers rapid cool down and temperature stability.

Field reversible door is shipped right-hand hinged.

Four leveling legs adjustable up to 1 inch.

Low-E coated, argon gas filled, double thermopane glass door provides protection from harmful UV light.

Low-profile variable speed compressor ensures efficient and powerful cooling with a max output of 1,850 BTU/h.

Sabbath Mode disables interior lights, alarms, and digital displays while maintaining consistent cooling performance.

Six-color multi-point LED lighting in adjustable white: bright white, warm white, cool white, and light blue, deep blue, and teal.

STORAGE

2.8 cu. ft. capacity stores up to **54 12-oz cans and 3 wine bottles or 18 cans and 9 wine bottles**.

Cantilever adjustment points for complete interior adaptability.

One 2-in-1 convertible shelf that allows for glass or wine configurations, **one glass shelf and one metal wine rack**.

CAPACITY

| | |
|-----------------------|-------------|
| Volume | 2.8 cu. ft. |
| Cans (12 oz) | 54 / 18 |
| Wine Bottles (750 mL) | 3 / 9 |

DIMENSIONS

| | |
|-----------------------|---------------------|
| Product Depth | 22 11/16" (57.6 cm) |
| Product Height (Min.) | 34 1/8" (86.7 cm) |
| Product Width | 14 7/8" (37.8 cm) |
| Product Weight | 105 lbs |
| Shipping Depth | 31" (78.7 cm) |
| Shipping Height | 37" (94 cm) |
| Shipping Width | 19" (48.3 cm) |
| Shipping Weight | 125 lbs |

CUSTOM PANEL DIMENSIONS

| | |
|---------------------|------------------------------------|
| Panel Height | 30" (76.2 cm) |
| Panel Thickness | 3/4" (1.9 cm) |
| Panel Width | 14 15/16" (37.9 cm) |
| Panel Weight (Max.) | 20 lbs |
| Panel Type | 2 3/4" (7 cm) frame or solid panel |

SUSTAINABILITY

| | |
|--------------------------------|--------------|
| Refrigerant Type | R600a |
| GWP (Global Warming Potential) | 3 (very low) |
| ENERGY STAR | Yes |

TECHNICAL DETAILS

| | |
|-------------------------|--------------------|
| Cord Length | 6 ft. |
| Electrical Requirements | 115V / 60 Hz / 15A |

WARRANTY

2 year parts & labor warranty / 6 year sealed system parts warranty (see complete warranty for details).



URBV315 - 15" BEVERAGE CENTER

THE HOME COLLECTION

U-LINE

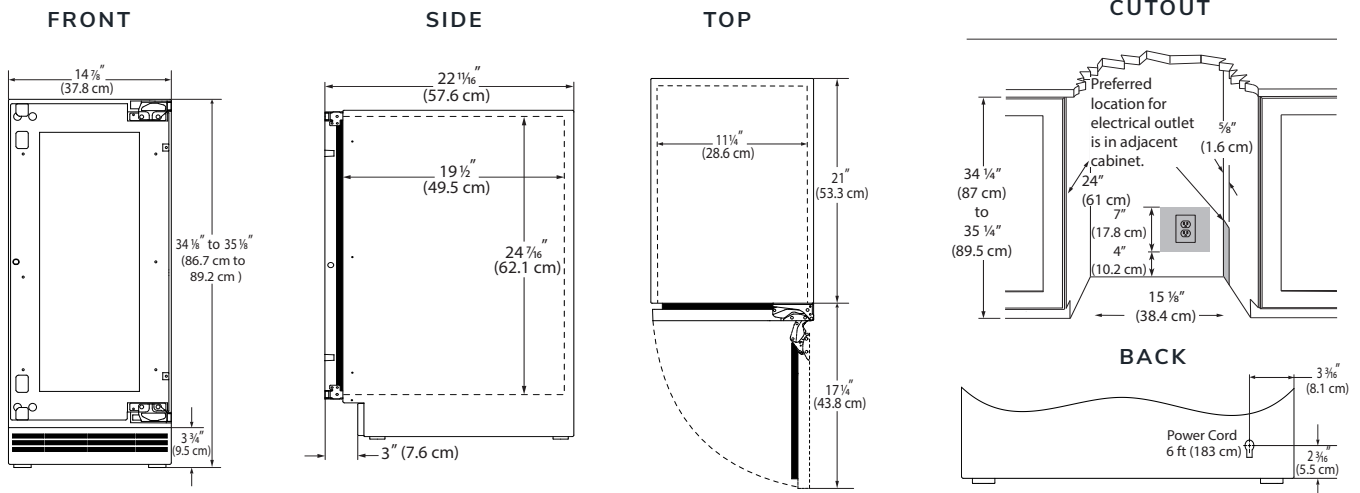
INSTALLATION

No additional clearance is needed for ventilation.

Do not obstruct front grille air flow.

Requires 3/4" custom panel and handle (not supplied by U-Line).

PRODUCT DIMENSIONS



MODELS



URBV315-IG01A
Integrated Frame Glass



URBV315-IS01A
Integrated Solid



URBV315-SG01A
Stainless Steel Frame Glass

ACCESSORIES



ULASBPGLASS15 (Frame)
ULASBPSOLID15 (Solid)
 Stainless Steel Door Wrap
 with Classic Bar Pull