

MB30WP

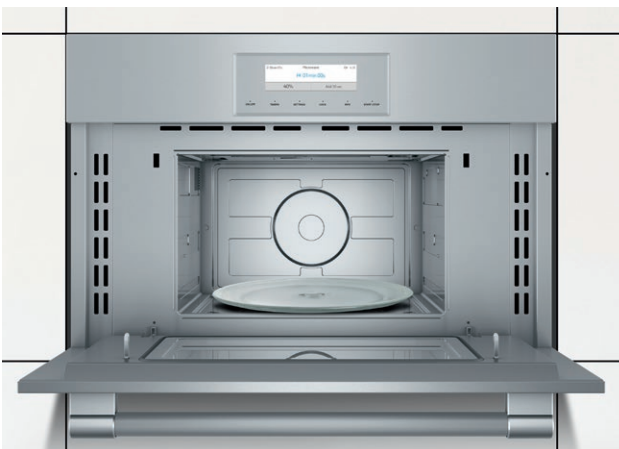
30-INCH BUILT-IN MICROWAVE

PROFESSIONAL SERIES



FEATURES & BENEFITS

- Built-in microwave is the perfect companion for any Thermador wall oven
- Specially crafted gray glass on stainless steel for a luxurious look and finish
- 950 watts microwave power and 10 microwave power level
- Sensor cooking programs measure humidity and adjust cooking level and cooking time
- Designed for flexibility—standard or flush installation into kitchen cabinets



GENERAL PROPERTIES

Cavity Color	Stainless Steel
Microwave Power (W)	950 W

Modes

(10) Baked Potato, Sweet Potato, Fresh Vegetable, Frozen Vegetable, Ground Meat, Fish / Seafood, Brown Rice, White Rice, Frozen Entrées, Reheat

CAPACITY

Cavity Capacity (cu. ft.)	1.6 cu. ft.
---------------------------	-------------

TECHNICAL DETAILS

Watts (W)	1,650 W
Circuit Breaker (A)	15 A
Volts (V)	120 V
Frequency (Hz)	60 Hz
Plug Type	NEMA 5-15 – 3 prong
Power Cord Length (in.)	59"

DIMENSIONS & WEIGHT

Overall Appliance Dimensions (HxWxD) (in.)	19 5/8" x 29 3/4" x 19 5/8"
Required Cutout Size (HxWxD) (in) – Standard Install	19 1/4" x 28 1/2" x 19 1/4"
Required Cutout Size (HxWxD) (in) – Flush Install	20 1/8" x 30" x 20 3/4"
Oven Overall Interior Dimensions (HxWxD) (in.)	9 7/8" x 16 1/2" x 16 1/2"
Turntable Diameter (in.)	14 1/8"
Net Weight (lbs)	75 lbs.

ACCESSORIES (INCLUDED)

Glass turntable

WARRANTY

Limited Warranty, Entire Appliance, Parts and Labor	2 Year
---	--------

†To be fully ADA compliant, these units must be installed according to ADA guidelines. Please check current ADA requirements for guidance on installation.

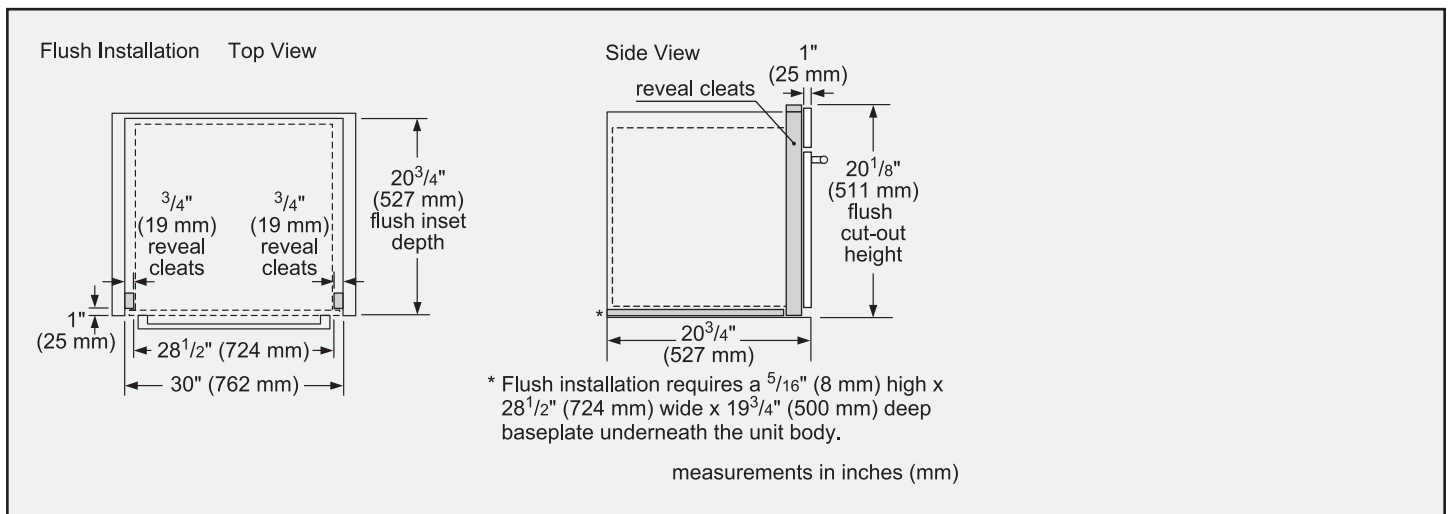
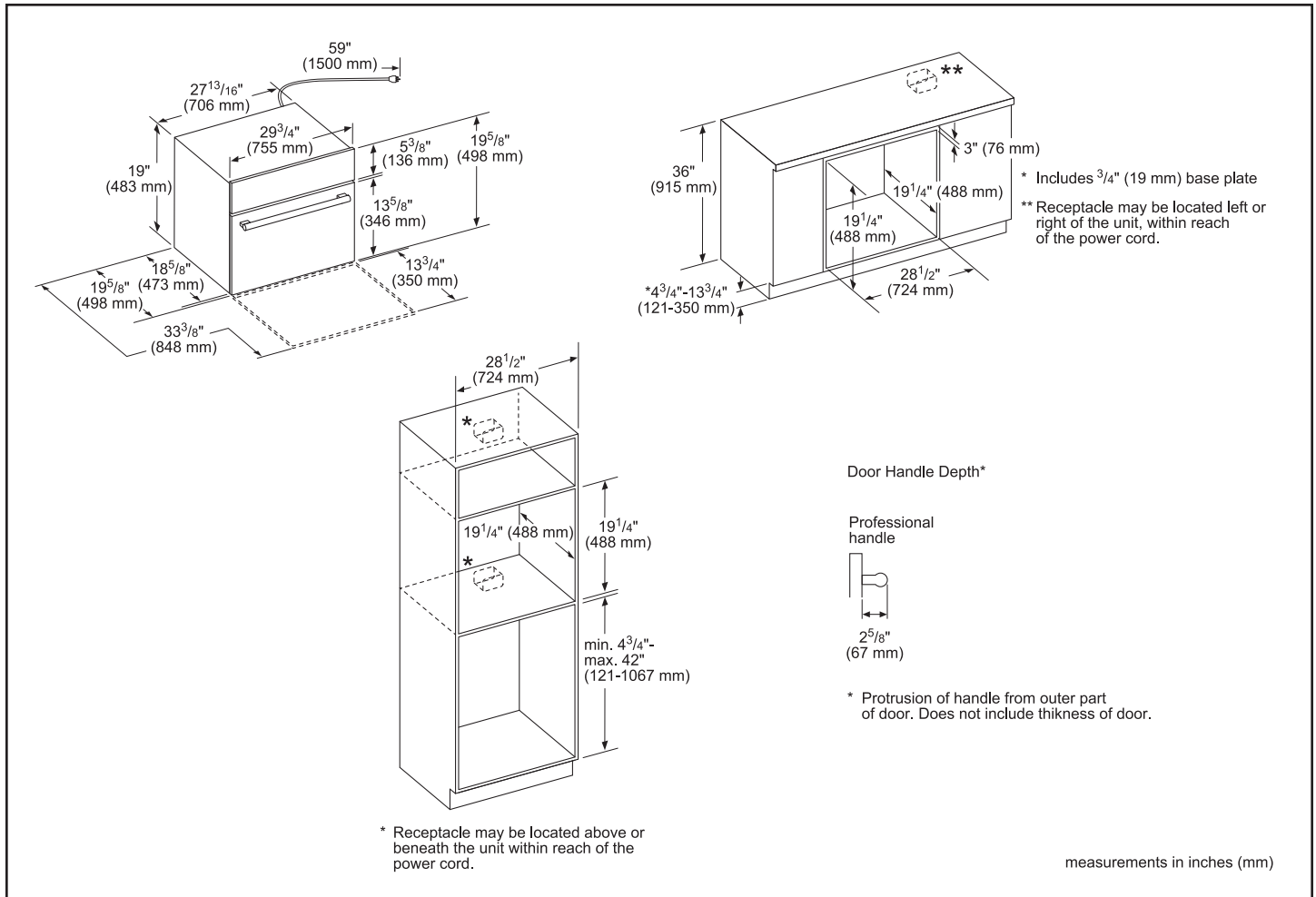
MB30WP

30-INCH BUILT-IN MICROWAVE

PROFESSIONAL SERIES



INSTALLATION DETAILS



MB30WP

30-INCH BUILT-IN MICROWAVE

PROFESSIONAL SERIES



INSTALLATION DETAILS

SIDE-BY-SIDE INSTALLATION – TOP VIEW
Standard

IMPORTANT: When installing an oven in combination, a minimum distance between the ovens is required. Refer to the oven installation manual for all other measurements.

NOTE: Conventional ovens with a serial number beginning with "FD009" require accessory kit TWO30YS for Standard or Flush side-by-side installation with another oven or with any other approved product. This kit must be purchased separately and installed prior to installing the oven in the cabinetry. Refer to the Oven Installation Guide for additional information.

Flush

Combination Type	A Left reveal cleat	B Right reveal cleat	C cut-out width	D cut-out width
Flush Bottom hinge	3/4" (19 mm)	3/4" (19 mm)	29 1/4" (743 mm)	29 1/4" (743 mm)
Flush Side Hinge (Left)	1 1/2" (38 mm)	N/A*	30" (762 mm)	N/A*
Flush Side Hinge (Right)	N/A*	1 1/2" (38 mm)	N/A*	30" (762 mm)

*Installation not recommended

measurements in inches (mm)

THERMADOR SIDE-BY-SIDE BUILT-IN OVEN COMBINATION GUIDE

The following **Ovens** are approved to be installed side-by-side in combination and the installation has been certified by CSA. This guide is only effective with the use of the Thermador built-in oven side-by-side accessory kit TWO30YS. The built-in oven side-by-side accessory kit is required for approved installation.

The following **Ovens** and **Drawers** are approved by BSH Home Appliances Corporation to be installed in combination. These products, identified in the table below, may be installed in combination with other cooking units. The suitability of the combination has not been evaluated by CSA.

BUILT-IN OVENS	
Conventional Ovens*	Steam Ovens
ME301WS	MEDS301WS
MED301WS	PODS301WS
MED301LWS	MEDS301WS w/ SDS30WC
MED301RWS	PODS301WS w/ SDS30WC
PO301W	
POD301W	
POD301LW	
POD301RW	

BUILT-IN OVENS			
Conventional Ovens*	Steam Ovens	Microwave Ovens	Speed Ovens
ME301WS	MEDS301WS	MB30WS	MC30WS
MED301WS	PODS301WS	MB30WP	MC30WP
MED301LWS	MEDS301WS w/ SDS30WC	MB30WS w/ SD30WC	MC30WS w/ SD30WC
MED301RWS	PODS301WS w/ SDS30WC	MB30WP w/ SD30WC	MC30WP w/ SD30WC
PO301W		MB30WS w/ WD30WC	MC30WS w/ WD30WC
POD301W		MB30WP w/ WD30WC	MC30WP w/ WD30WC
POD301LW			
POD301RW			

*Conventional ovens with a serial number beginning with "FD009" require accessory kit TWO30YS for side-by-side installation with another oven or in combination with any other approved product. All parts in the kit may not be required. Refer to the Oven Installation Guide for additional information.

MB30WP

30-INCH BUILT-IN MICROWAVE

PROFESSIONAL SERIES



INSTALLATION DETAILS

Standard Installation Over Single Oven

28¹/₂" (724 mm)

19¹/₄" (488 mm)

23¹/₂" (597 mm)

min. 4³/₄" (121 mm)
max. 18" (456 mm)

27-28⁵/₈" (686-727 mm)

* Junction box may be located above or next to the unit within the reach of the power cable.

** Junction box may be located below (depending on space) or next to the unit within the reach of the power cable.

***Most combinations available as combo oven (one cut-out, one electrical hook-up).

Minimum dimension between cut-out:

- 1" (25 mm) for wall oven cut-out height of 28⁵/₈" (727 mm)
- 2⁵/₈" (67 mm) for wall oven cut-out height of 27" (686 mm).

measurements in inches (mm)

Flush Installation Over Single Oven

Side View

1" (25 mm) Cleats

20¹/₈" (511 mm) flush cut-out height

29¹/₈" (740 mm) flush cut-out height

24¹/₂" (622 mm)

***Flush installation requires a base plate underneath the body: 30" products—Dimensions: H 5/16" (8 mm) x W 28¹/₂" (724 mm) x D 22¹/₂" (571 mm)

minimum 1/2" (13 mm) required between cut-out*

*IMPORTANT: Base has to be able to support the weight of the oven. Please check oven manual for minimum weight requirements.

**Most combinations available as combo oven (one cut-out, one electrical hook-up).

measurements in inches (mm)

These warranties give you specific legal rights and you may have other rights that vary from state to state. Limited warranty from date of purchase. For complete warranty details, refer to your Use & Care manual, or ask your dealer.

Specifications are for planning purposes only. Refer to installation instructions and consult your countertop supplier prior to making counter opening. Consult with a heating and ventilation engineer for your specific ventilation requirements. For the most detailed information, refer to installation instructions accompanying product or write to Thermador indicating the model number. Specifications are correct at time of printing. Thermador reserves the right to change product specifications or design without notice. Some models are certified for use in Canada. Thermador is not responsible for products that are transported from the U.S. for use in Canada.