



Vacuum Sealer Digital Scale VSS Series

Care/Use Guide

Scelleuse Sous Vide Avec Balance Numérique VSS Serie

Guide d'entretien et d'utilisation



NESCO®

Your Key Ingredient™



NESCO®

Your Key Ingredient™

English

Table of Contents

Important Safeguards	1-2
Functions and Components	3-4
Operating Instructions	5-7
Vacuum Sealing Tips	7-8
Care and Cleaning	9
Troubleshooting	10
Food Preservation Guidelines	11
One Year Limited Warranty	13

Français

Table des Matières

Importantes Mesures De Sécurité.....	14-15
Fonctions et Composants.....	16-17
Mode D'emploi.....	18-20
Conseils Pour le Scellement Sous Vide.....	20-21
Entretien et Nettoyage.....	22
Dépannage.....	23
Directives de Conservation Des Aliments.....	24
Garantie limitée D'un An.....	25

Technical Specifications

Specification / Caractéristiques: 120 W., 120 VAC, 60Hz

"NESCO®" is a registered trademark of The Metal Ware Corp

"NESCO®" est une marque de commerce enregistrée
de la société The Metal Ware Corp

The Metal Ware Corp
1700 Monroe St., P.O. Box 237
Two Rivers, WI 54241-0237
Phone: 1 (800) 288-4545
nescocs@nesco.com

For more products and
accessories visit

www.nesco.com

follow us on



#YourKeyIngredient



IMPORTANT SAFEGUARDS

- **This instruction manual contains important information necessary for the proper use of this appliance.**
- **Read and follow all warnings and instructions before assembling and using this appliance.**
- **This appliance is designed for household use only.**

English

READ ALL INSTRUCTIONS

When using any electrical appliance basic safety precautions should always be observed including the following:

- 1.** Do not touch hot surfaces. Use handles or knobs.
- 2.** To protect against electrical shock, do not immerse cord, plug, or appliance in water or other liquid.
- 3.** This appliance is not a toy. Close supervision is necessary when any appliance is used by or near children. Store this appliance in a safe place, out of the reach of children.
- 4.** Unplug from outlet when not in use and before cleaning. Allow to cool before putting on or taking off parts.
- 5.** Do not operate any appliance with a damaged cord or plug or after the appliance malfunctions or has been damaged or appears to be damaged in any manner. Contact NESCO Customer Service for assistance.
- 6.** Do not attempt to repair the appliance.
- 7.** Do not use bags, rolls, or accessory attachments not recommended by the appliance manufacturer as they may cause injuries and void the warranty.
- 8.** Always place the appliance on a firm and stable surface. Make sure the surface is clean and dry.
- 9.** Do not use this appliance on wet or hot surfaces or near any heat sources.
- 10.** Do not place on or near a hot gas or electric burner, or in a heated oven.
- 11.** Do not use outdoors.
- 12.** Always attach plug to appliance first, then plug cord into the wall outlet. To disconnect, turn any control to 'OFF', then remove plug from wall outlet.
- 13.** Do not use appliance for other than intended use.



IMPORTANT SAFEGUARDS

- 14.** Before plugging cord into wall outlet, or disconnecting, make sure that the cover of the appliance is in the unlocked position, and unplug from wall outlet when not in use or before cleaning.
- 15.** Keep away from moving parts.
- 16.** Avoid contact with heating element on top cover of appliance as this becomes hot during use and may cause injuries.
- 17.** This appliance is not intended for use by persons (including children) with reduced physical, sensory or mental capabilities, or lack of experience and knowledge, unless they have been given supervision or instruction concerning use of the appliance by a person responsible for their safety.
- 18.** Do not let cord hang over edge of table or counter, touch hot surfaces and never pull on the cord.
- 19.** Before plugging the appliance in or operating, make sure your hands are dry and safe to do the actions. Do not operate the appliance if the cord or plug is wet.
- 20.** DO NOT use any lubricant, such as lubricating oils or water, on this appliance.
- 21.** When disconnecting, to avoid any injury, please unplug by grasping the plug, not the cord.
- 22.** Extreme caution must be used when moving an appliance containing hot oil or other hot liquids.
- 23. Polarized Plug:** This appliance has a polarized plug (one blade is wider than the other). To reduce risk of electric shock, plug is intended to fit into polarized outlet only one way. If the plug does not fit fully into the outlet, reverse the plug. If it still does not fit, contact a qualified electrician. Do not try to modify the plug in any way.
- 24. Short Cord Instructions:** A short power supply cord is provided to reduce the risk resulting from becoming entangled in or tripping over a longer cord. Extension cords may be used if care is exercised in their use. If an extension cord is used, the marked electrical rating of the cord should be at least as great as the electrical rating of the appliance. The longer cord should be arranged so that it will not drape over the tabletop where it can be pulled on by children or tripped over unintentionally.

Follow all warnings and instructions.

Save this instruction manual for future use.

This appliance is designed for household use only.

SEALER & SCALE FUNCTIONS

Electric-Powered Vacuum Sealer functions:

1. VACUUM & SEAL: Starts the automatic operation of vacuuming the bag and then automatically sealing the bag when the vacuuming operation is complete.

2. SEAL: This button provides two functions:

- To seal the open end of a bag without vacuuming air suction, used to make a bag from a bag roll. Maximum bag width is 11.8 inches.
- When the automatic VACUUM & SEAL function is in operation, this button stops the motor pump and immediately starts to seal the bag so that the vacuum pressure inside the bag can be controlled by the operator to avoid crushing delicate items.

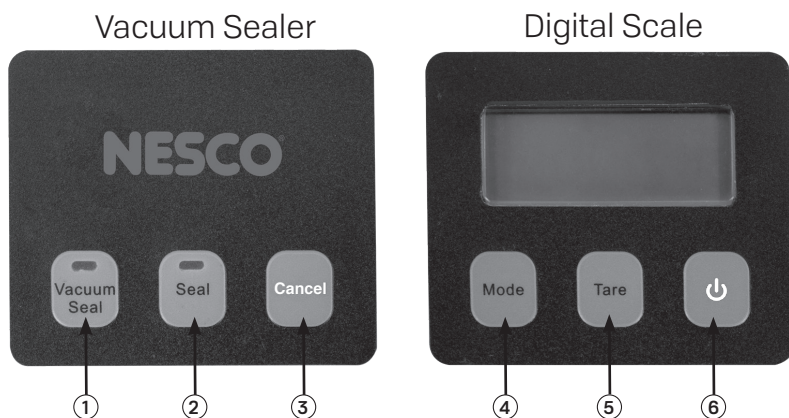
3. CANCEL: Stops the vacuuming and sealing operations.

Battery-Powered Digital Scale functions:

4. MODE: Changes the weight unit between pounds and ounces, ounces, grams, and kilograms. Max weight: 4.98 kgs or 11 lbs.

5. TARE: This function allows the user to 'zero' out the scale or subtract the weight of a container before weighing food items.

6. ON/OFF BUTTON: Power switch for the digital scale. Requires two "AAA" batteries. (Batteries Included)



FOR MISSING OR REPLACEMENT PARTS, PLEASE CALL 1-800-288-4545.
DO NOT RETURN TO STORE.



SEALER & SCALE COMPONENTS

7. SAFETY SWITCH: Disengages the heating element if the cover is open.

8. COVER RELEASE BUTTONS: For unlocking the cover. Located on the left side and right side of the appliance base.

9. AIR INTAKE: The air intake connects with the vacuum chamber and pump. DO NOT cover this intake opening when positioning a bag for VACUUM & SEAL operations.

10. SEALING STRIP: Place the bag to be sealed over this strip. Clean and dry after each use. Replace Strip if it becomes distorted or broken.

11. VACUUM CHAMBER: Positioning the open end of the bag inside the chamber draws air out of bag and catches any liquid overflow from the bag.

12. LOWER GASKET: Keeps air away by forming a vacuum chamber with the upper gasket. Clean and dry after each use. Replace gasket if it becomes distorted or broken.

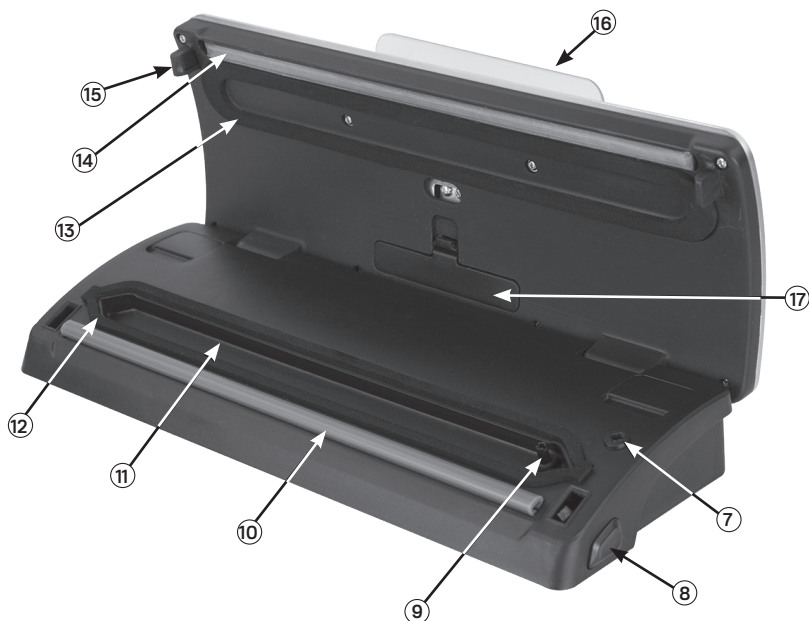
13. UPPER GASKET: Keeps air away by forming a vacuum chamber with the lower gasket. Clean and dry after each use. Replace gasket if it becomes distorted or broken.

14. SEALING ELEMENT: Teflon-coated heating element which is hot during use and seals the bag.

15. COVER LOCK: For locking the cover. Located on the inside of the cover, on the left and right sides. Secures cover to base for vacuum sealing purposes. Press down tightly until you hear the cover lock into place on both sides.

16. GLASS PLATFORM: Used to support the object being weighed.

17. BATTERY COVER: Remove cover for placement area of two "AAA" batteries.





OPERATING INSTRUCTIONS

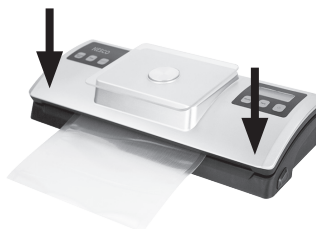
Vacuum Sealer Instructions:

Making a Bag from a Bag Roll:

1. Plug the unit into a power source and open the top cover.
2. Use a scissors to cut a bag to the suitable length desired. Max. bag width: 11.8"
3. Place one end of the bag on top of the SEALING STRIP. Make sure the AIR INTAKE is not covered by the bag.



4. Close the top cover and press down tightly until you hear it lock into place on both sides.



5. Press the "SEAL" button to start sealing the bag.



6. Once the SEAL indicator light turns off, press the left and right COVER RELEASE BUTTONS at the same time to open the cover. Remove the bag from the appliance. One end of the bag is sealed. The bag is now ready for vacuum sealing.





OPERATING INSTRUCTIONS

Vacuum Sealer Instructions:

Vacuum Sealing with a Bag:

English

1. Put the food or items inside the bag. Only use bags designed specifically for vacuum sealing.
2. Clean and straighten the open end of the bag. Make sure no moisture, dust, wrinkles or ripples are present.
3. Place the open end of the bag within the VACUUM CHAMBER area. Make sure the AIR INTAKE is not covered by the bag.



4. Close the top cover and press down tightly until you hear it lock into place on both sides.



5. Press the "VACUUM & SEAL" button, the unit will start to vacuum and will then seal the bag automatically.



6. Once the VACUUM & SEAL indicator lights turn off, press the left and right COVER RELEASE BUTTONS at the same time to open the cover. Remove the bag from the appliance. The bag is now vacuum sealed and ready for storage.



6





OPERATING INSTRUCTIONS

Digital Scale Instructions:

Weighing Items with the Scale:

1. Before first use of the scale: Open the appliance cover, remove the inner BATTERY COVER, and install two AAA batteries. Place the battery cover back into position.
2. Close the appliance cover, but DO NOT lock it down onto the appliance base.
3. Press the ON/OFF BUTTON on the scale panel. Choose the desired measurement increment for weighing items by pushing the MODE button.
4. Place the food item on the GLASS PLATFORM to weigh.

Using the TARE function to “Zero” the Scale:

1. Put a container on the scale.
2. When readout is stable, press “TARE” — “0” will show on the display.
3. The scale has now subtracted the weight of the container, allowing the user to add items to the container and obtain the weight of the items only, not the container. Removing the container and pressing TARE will reset the scale to zero.

VACUUM SEALING TIPS

WARNING: To avoid overheating the SEALING ELEMENT, do not seal one bag after another continuously. The appliance will not function if the “Seal” button is activated within 15 seconds of the last activation.

- For the best sealing effect, it is better to let the appliance cool down for one minute before using it again.
- Wipe out any excess liquid or food residue in the VACUUM CHAMBER after each bag is sealed.

IMPORTANT: If you have sealed a side of the bag when creating a custom sized bag, please trim any excess plastic from the side of the seal. This will ensure that the bag seals and the appliance operates properly.

- Cut the bag straight across with scissors to open a sealed bag.
- For best results, always use VACUUM SEALER bags.

We recommend NESCO® Brand Vacuum Sealer Bags and Rolls. The appliance may seal other bag types, such as packaging for potato chips.

(PLEASE USE WITH CAUTION WHEN TRYING OTHER BAG TYPES, THIN PLASTIC IS NOT RECOMMENDED.)





VACUUM SEALING TIPS

FOOD STORAGE AND SAFETY:

IMPORTANT: Vacuum Sealing is NOT a substitute for refrigeration or freezing. Any perishable foods that require refrigeration must still be refrigerated or frozen after vacuum packaging.

For best results in extending the life of foods, it is important to vacuum package foods that are fresh. Once food has begun to deteriorate, vacuum packaging may only slow the deterioration process. Vacuum sealing cannot prevent the growth of mold. Other disease causing microorganisms can still grow in low oxygen environments and may require further measures to be eliminated.

PREPARATION FOR POWDERY FOODS:

IMPORTANT: When vacuum packaging powdery items like flour, it's best to use their original packaging inside of the vacuum bags. The fine powder could infiltrate the appliance and cause damage which will shorten the life of the sealer.

PREPARATION FOR LIQUIDS:

IMPORTANT: Before you vacuum package liquid such as soup stock, pre-freeze in a casserole dish, loaf pan or ice tray until solid. Remove frozen liquid from the pan and vacuum package in vacuum bags. When you're ready to use, just cut a corner of the bag and place in a microwave dish or drop uncut bag into water at low simmer, below 170 degrees F (75 degrees C).

CORD STORAGE AREA

· When not in use, place the power cord into the storage area which is located on the bottom of the appliance. Do not wrap the cord around the appliance.





CARE AND CLEANING INSTRUCTIONS

1. ALWAYS unplug the appliance before cleaning.
2. DO NOT immerse in water or any other liquid.
3. AVOID using abrasive products or materials to clean the appliance. These products will scratch the surface.
4. Use a mild dishwashing soap and a warm, damp cloth to wipe away food residue on or around components. HAND WASH ONLY.
5. Dry thoroughly before using again.

NOTE: The foam gaskets around the vacuum chamber should be dried thoroughly before re-assembling. When re-assembling, to prevent any damage, place the gaskets in their original position to ensure that there is no vacuum leaking.

FOR MISSING OR REPLACEMENT PARTS, PLEASE CALL 1-800-288-4545.
DO NOT RETURN TO STORE.

STORAGE AND DISPOSAL

STORAGE:

- MAKE SURE THE COVER OF THIS APPLIANCE IS UNLOCKED WHEN NOT IN USE AND IN STORAGE. Keeping the cover locked will distort the foam gaskets and cause leaking.
- NEVER store the appliance on its side. Store the appliance on a flat, clean, cool, dry area out of the reach of children and pets.
- Always ensure that the appliance is unplugged, has cooled down completely and the scale is OFF before storing or cleaning.
- NEVER place or store anything directly on top of the scale for long periods of time, as this can have an adverse effect on the longevity and accuracy of the scale.
- When storing for long periods of time, remove the batteries from the scale.
- Clean with a damp cloth and mild detergent and dry thoroughly before storing. HAND WASH ONLY.
- Save the packaging for transporting or storage of the appliance when not in use for extended periods of time.

DISPOSAL:

- This appliance may not be disposed of with ordinary household waste. Electrical and electronic waste must be disposed of properly.
- Contact your local municipal authorities for further information on product disposal.



TROUBLESHOOTING

Problem	Reasons Caused
Vacuuming but not turning to Seal automatically	Is the lower or upper gasket deformed? If deformed, replace it and try again.
	Is the edge of the bag covering the suction hole? If yes, please place the bag in the correct position.
	Is the bag overfilled causing the cover to not lock properly? If yes, take out some of the food, clean and straighten the open end of the bag, and try again.
	Is the bag torn or punctured causing a leak? If yes, use a new bag and try again.
Vacuuming continuously not turning to Seal	Is the bag being sealed custom made? If yes, trim any excess plastic from the sides of the custom sized bag and retry.
Can't vacuum but Seal function is good	Is the bag placed into the vacuum chamber properly? If no, please put the edge of the bag into the vacuum chamber.
	Is the edge of the bag covering the suction hole? If yes, please place the bag in the correct position.
	Does the edge of the bag have liquid, food or any substance on it? If yes, please clean the edge of the bag and try again.
	Does the edge of the bag have wrinkles? If yes, please take out some food so the bag has enough space for sealing. Flatten the unsealed bag end and try again.
	Does the packed food or item have sharp edges? If yes, please use food safety paper and cover the sharp edges before putting the food or item into the vacuum bag.
Bag inflation after vacuuming	Is the food being sealed perishable? All perishable foods need to be frozen or refrigerated after vacuuming to prolong their shelf life. Vacuum sealing doesn't guarantee these foods will never spoil.
	Is the food being sealed fresh vegetables or fruit? All fresh vegetables and fruits are not suitable for storage under room temperature after being vacuumed. Vegetables and fruits need to be refrigerated after vacuuming to prolong their shelf life.



FOOD PRESERVATION GUIDELINES

Classification	Food Items	Temperature	Normal Preservation	Vacuum Preservation
Refrigerator	Fresh Raw Meat	41 ± 37°F	2 ~ 3 days	8 ~ 9 days
	Fresh Fish/ Seafood	41 ± 37°F	1 ~ 3 days	4 ~ 5 days
	Cooked Meat	41 ± 37°F	4 ~ 6 days	10 ~ 14 days
	Vegetables	41 ± 37°F	3 ~ 5 days	7 ~ 10 days
	Fruit	41 ± 37°F	5 ~ 7 days	14 ~ 20 days
	Eggs	41 ± 37°F	10 ~ 15 days	30 ~ 50 days
Frozen	Meat	3°F ~ -4°F	3 ~ 5 months	> 1 year
	Fish	3°F ~ -4°F	3 ~ 5 months	> 1 year
	Seafood	3°F ~ -4°F	3 ~ 5 months	> 1 year
Normal condition	Bread	77 ± 36°F	1 ~ 2 days	6 ~ 8 days
	Biscuit	77 ± 36°F	4 ~ 6 months	> 1 year
	Rice/Flour	77 ± 36°F	3 ~ 5 months	> 1 year
	Peanut/Legume	77 ± 36°F	3 ~ 6 months	> 1 year
	Medical Material	77 ± 36°F	3~6 months	> 1 year
	Tea	77 ± 36°F	5 ~ 6 months	> 1 year

English

ONE YEAR LIMITED WARRANTY

The Metal Ware Corporation warrants the original purchaser that your product will be free from defects in material and workmanship for a period of one year from date of purchase. Product must be used for personal or sole household usage in accordance with the instructions.

Should your product prove defective within one year from date of purchase, contact our customer service team at 1-800-288-4545 or email at nescocs@nesco.com with an explanation of the claim. If a viable warranty claim is determined, a customer service member will provide you with the necessary details to have your unit replaced. Under this limited time warranty, we undertake to replace any parts found to be defective at our sole discretion. This limited time warranty is void if the unit is connected to an unsuitable electrical supply or dismantled or interfered with in any way or damaged through misuse. This warranty is not transferable. **LIMITATION OF REMEDIES AND DAMAGES:** Except for the limited time warranty and remedies expressly stated above, the Metal Ware Corp shall not be liable to you, or to anyone claiming by or through you, for any obligations or liabilities, including, but not limited to, obligations or liabilities arising out of breach of contract, breach of warranty, statutory claims, negligence or other tort or any theory of strict liability, with respect to the product or the Metal Ware Corp's acts or omissions or otherwise. Buyer agrees that in no event shall the Metal Ware Corp be liable for incidental, compensatory, punitive, consequential, indirect, special or other damages. Warranty does not cover consequential or incidental damages such as property damage and does not cover incidental costs and expenses resulting from any breach of this warranty, even if foreseeable. Some states or provinces do not allow the exclusion or limitations of incidental or consequential damages, so the above limitation or exclusion may not apply to you depending on the state or province of purchase.

Register your product on our website:

<https://www.nesco.com/customer-service/warranty-registration>

or fill in your warranty card and return it within one week

from date of purchase along with a copy of proof of purchase.

Send warranty card to:

VSS Series · NESCO Electric Vacuum Sealer
C/O MW
PO Box 237
Two Rivers, WI 54241-0237



THANK YOU FOR CHOOSING NESCO®

English

We have been developing and producing kitchen appliances for over 100 years and are grateful for customers like you.

We ensure 100% customer satisfaction and have a full-time, knowledgeable staff ready to assist you. Please email our customer service department at nescocs@nesco.com or call 1-800-288-4545.

For more products or recipes, visit nesco.com.



Follow us on



300-09232 (6/23) © 2022 The Metal Ware Corp.
All Rights reserved, including the right of reproduction in whole or part.



IMPORTANTES MESURES

- **Ce mode d'emploi contient des informations importantes et nécessaires pour une utilisation appropriée de cet appareil.**
- **Lire et suivre tous les avertissements et instructions avant d'assembler et d'utiliser cet appareil.**
- **Cet appareil est conçu pour un usage ménager seulement.**

LIRE TOUTES LES INSTRUCTIONS

Lors de l'utilisation d'appareils électriques, des consignes de sécurité de base devraient toujours être suivies, incluant ce qui suit:

1. Ne pas toucher aux surfaces chaudes. Utilisez les poignées ou les boutons.
2. Pour se protéger contre les chocs électriques, ne pas immerger le cordon, la fiche, ou l'appareil dans l'eau ou autre liquide.
3. Cet appareil n'est pas un jouet. Une supervision étroite est nécessaire lorsque tout appareil est utilisé par ou près des enfants. Ranger cet appareil dans un endroit sécuritaire, hors de la portée des enfants.
4. Débrancher de la prise lorsque non utilisé et avant de nettoyer. Laisser refroidir avant de mettre ou d'enlever des pièces.
5. Ne pas faire fonctionner aucun appareil avec un cordon ou une fiche endommagée ou après un mauvais fonctionnement ou si l'appareil a été endommagé ou semble être endommagé de quelque façon que ce soit. Contacter le service client NESCO.
6. Ne pas tenter de réparer l'appareil.
7. Ne pas utiliser des sacs, des rouleaux, ou des accessoires non recommandés par le fabricant de l'appareil puisqu'ils peuvent causer des blessures et annuler la garantie.
8. Toujours placer l'appareil sur une surface ferme et stable. S'assurer que la surface est propre et sèche.
9. Ne pas utiliser cet appareil sur des surfaces mouillées ou chaudes ou près de toutes sources de chaleur.
10. Ne pas placer sur ou près d'un gaz chaud ou brûleur électrique, ou dans un four chaud.
11. Ne pas utiliser à l'extérieur.
12. Toujours attacher la fiche à l'appareil en premier, puis brancher le cordon dans la prise murale. Pour débrancher, mettre tout contrôle à « OFF », puis retirer la fiche de la prise murale.
13. Ne pas utiliser l'appareil pour un usage autre que celui prévu.



IMPORTANTES MESURES

14. Avant de brancher le cordon dans la prise murale ou de débrancher, s'assurer que le couvercle de l'appareil est en position déverrouillé, et de débrancher de la prise murale lorsque non en utilisation ou avant le nettoyage.
15. Garder éloigné des pièces en mouvement.
16. Éviter tout contact avec l'élément chauffant sur le couvercle supérieur de l'appareil puisque celui-ci devient chaud durant l'utilisation et peut causer des blessures.
17. Cet appareil n'est pas prévu pour être utilisé par des personnes (incluant les enfants) avec des capacités physiques, sensorielles ou mentales réduites, ou un manque d'expérience et de connaissances, à moins qu'elles aient eu une supervision ou des instructions concernant l'utilisation de cet appareil par une personne responsable pour leur sécurité.
18. Ne pas laisser le cordon pendre par-dessus la table ou le comptoir, toucher des surfaces chaudes et ne jamais tirer sur le cordon.
19. Avant de brancher l'appareil ou de faire fonctionner, s'assurer que vos mains sont sèches et sécuritaires pour de telles actions. Ne pas faire fonctionner cet appareil si le cordon ou la fiche sont mouillés.
20. NE PAS utiliser aucun lubrifiant, comme des huiles lubrifiantes ou de l'eau sur cet appareil.
21. Pour débrancher, pour éviter toutes blessures, débrancher en saisissant la fiche, et non le cordon.
22. Une prudence extrême doit être exercée lors du déplacement d'un appareil contenant de l'huile chaude ou autres liquides chauds.
23. **Fiche polarisée:** Cet appareil a une fiche polarisée (une lame est plus large que l'autre). Pour réduire le risque de choc électrique, la fiche est prévue pour entrer la prise polarisée seulement d'une façon. Si la fiche n'entre pas complètement dans la prise, inverser la fiche. Si elle n'entre toujours pas, contacter un électricien qualifié. Ne pas tenter de modifier la fiche d'aucune façon.
24. **Cordon court Instructions:** Un cordon d'alimentation court est fourni pour réduire le risque causé par un cordon qui devient entremêlé ou de trébucher sur un cordon plus long. Des rallonges peuvent être utilisées avec une attention particulière lors de leur usage. Si une rallonge est utilisée, les caractéristiques électriques indiquées pour le cordon devraient être au moins aussi grandes que les caractéristiques électriques de l'appareil. Le cordon plus long devrait être positionné de sorte qu'il ne drapera pas sur le dessus de la table où il peut être tiré par des enfants ou faire trébucher involontairement.

Suivre tous les avertissements et toutes les instructions.

Conserver ce manuel d'utilisation pour consultation ultérieure.





FONCTIONS ET COMPOSANTS

Fonctions De La Scelleuse Sous Vide Électrique :

1. SCÉLÈMENT SOUS VIDE & SCÉLÈMENT : Démarre le fonctionnement automatique pour vider le sac de son air puis scelle automatiquement le sac lorsque l'opération d'aspiration est complétée.

2. SCÉLÈMENT : Ce bouton offre deux fonctions :

- Pour sceller l'extrémité ouverte d'un sac sans aspirer l'air, utilisé pour faire un sac à partir d'un rouleau. La largeur maximale d'un sac est 11,8 pouces.
- Lorsque la fonction SCÉLÈMENT SOUS VIDE & SCÉLÈMENT est en fonctionnement, ce bouton arrête la pompe du moteur et commence immédiatement à sceller le sac afin que la pression d'aspiration à l'intérieur du sac puisse être contrôlée par l'opérateur pour éviter d'écraser les produits délicats.

3. ANNULER : Arrête le fonctionnement du scellé sous vide et du scellé.

Fonctions De La Balance Numérique Fonctionnant À Piles :

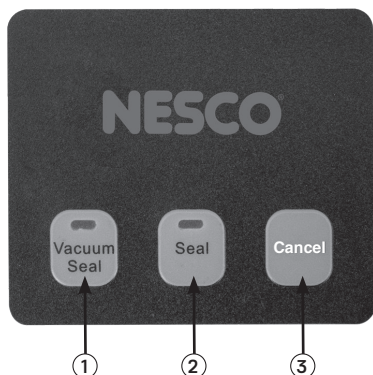
4. MODE : Change l'unité de poids entre livres et onces, onces, grammes, et kilogrammes. Poids max. : 4,98 kg ou 11 lb.

5. TARE : Cette fonction permet à l'utilisateur de mettre à « zéro » la balance ou de soustraire le poids d'un contenant avant de peser seulement les aliments.

6. BOUTON MARCHÉ/ARRÊT : Interrupteur d'alimentation pour la balance numérique. Requier deux piles « AAA ». (Piles incluses)

Français

Scelleuse Sous Vide



Balance Numérique



POUR LES PIÈCES MANQUANTES OU DE REMPLACEMENT, VEUILLEZ APPELER AU 1-800-288-4545. NE PAS RETOURNER AU MAGASIN.



FONCTIONS ET COMPOSANTS

7. INTERRUPTEUR DE SÉCURITÉ: Désenclenche l'élément chauffant si le couvercle est ouvert.

8. BOUTONS DE DÉVERROUILLAGE DU COUVERCLE: Pour déverrouiller le couvercle. Situés sur les côtés gauche et droit de la base de l'appareil.

9. ENTRÉE D'AIR: L'entrée d'air se connecte avec la chambre à vide et la pompe. NE PAS couvrir cette ouverture d'entrée d'air lors du positionnement du sac pour le fonctionnement de SCELLEMENT SOUS VIDE & SCELLEMENT.

10. BANDE DE SCELLEMENT: Placer le sac à sceller sur cette bande. Nettoyer et sécher après chaque utilisation. Remplacer la bande si elle devient déformée ou brisée.

11. CHAMBRE À VIDE: Positionner l'extrémité ouverte du sac à l'intérieur de la chambre tire l'air hors du sac et attrape tout débordement de liquide du sac.

12. JOINT INFÉRIEUR: Garde l'air éloigné en formant une chambre à vide avec le joint supérieur. Nettoyer et sécher après chaque utilisation. Remplacer le joint s'il devient déformé ou brisé.

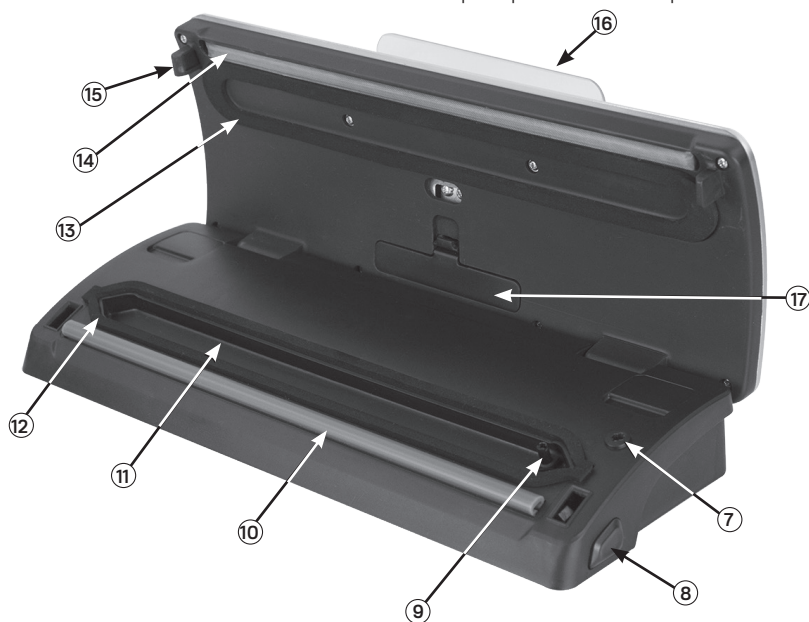
13. JOINT SUPÉRIEUR: Garde l'air éloigné en formant une chambre à vide avec le joint inférieur. Nettoyer et sécher après chaque utilisation. Remplacer le joint s'il devient déformé ou brisé.

14. ÉLÉMENT DE SCELLEMENT: Élément chauffant recouvert de Téflon qui est chaud durant l'utilisation et qui scelle le sac.

15. VERROUILLAGE DU COUVERCLE: Pour verrouiller le couvercle Situé sur l'intérieur du couvercle, sur les côtés gauche et droit. Fixe le couvercle à la base à des fins de scellement sous vide. Presser fermement jusqu'à ce que vous entendiez le couvercle se verrouiller en place sur les deux côtés.

16. PLATEFORME EN VERRE: Utilisée pour supporter les objets qui sont pesés.

17. COUVERCLE DES PILES: Enlever le couvercle pour placer des deux piles « AAA ».





MODE D'EMPLOI

Instructions De Scellement À Vide :

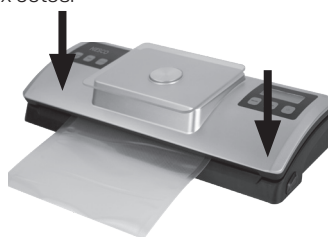
Faire Un Sac À Partir D'un Rouleau:

1. Branchez l'unité dans une source d'alimentation et ouvrez le couvercle supérieur.
2. Utilisez des ciseaux pour couper un sac à la longueur appropriée désirée.
Largeur de sac max. : 11,8 po
3. Placez une extrémité du sac sur le dessus de la BANDE DE SCCELLEMENT.
Assurez-vous que l'ENTRÉE D'AIR ne soit pas couverte par le sac.

Français



4. Fermez le couvercle supérieur et appuyez fermement jusqu'à ce que vous l'entendiez se verrouiller en place des deux côtés.



5. Appuyez le bouton « SCCELLEMENT » pour commencer à sceller le sac.



6. Lorsque le voyant indicateur SCCELLEMENT s'éteint, appuyez les BOUTONS DE DÉVERROUILLAGE DU COUVERCLE gauche et droit en même temps pour ouvrir le couvercle. Enlever le sac de l'appareil. Une extrémité du sac est scellée. Le sac est maintenant prêt pour un scellement sous vide.





MODE D'EMPLOI

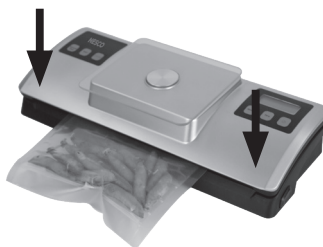
Instructions De Scellement À Vide:

Sceller Sous Vide Avec Un Sac:

1. Mettez les aliments ou les produits à l'intérieur du sac. Utilisez seulement les sacs spécialement conçus pour le scellement sous vide
2. Nettoyez et redressez l'extrémité ouverte du sac. Assurez-vous qu'aucune humidité, poussière, plis ou ondulations ne soient présents.
3. Placez l'extrémité ouverte du sac dans la zone de la CHAMBRE À VIDE. Assurez-vous que l'ENTRÉE D'AIR ne soit pas couverte par le sac.



4. Fermez le couvercle supérieur et appuyez fermement jusqu'à ce que vous l'entendiez se verrouiller en place des deux côtés.



5. Appuyez le bouton « SCELLEMENT SOUS VIDE & SCELLEMENT », l'unité commencera à faire le vide puis scellera le sac automatiquement.



6. Lorsque le voyant indicateur SCELLEMENT SOUS VIDE & SCELLEMENT s'éteint, appuyez les BOUTONS DE DÉVERROUILLAGE DU COUVERCLE gauche et droit en même temps pour ouvrir le couvercle. Enlevez le sac de l'appareil. Le sac est maintenant scellé sous vide et prêt pour l'entreposage.



19





MODE D'EMPLOI

Instructions Pour La Balance Numérique:

Peser Les Produits Avec La Balance :

1. Avant d'utiliser la balance : Ouvrez le couvercle de l'appareil, enlevez le COUVER- CLE DES PILES, et installez deux piles AAA. Remettez le couvercle des piles en place.
2. Fermez le couvercle de l'appareil, mais ne le verrouillez PAS sur la base de l'appareil.
3. Appuyez sur le BOUTON MARCHE/ARRÊT sur le panneau de la balance. Choisissez l'incrément de mesure désiré pour peser les produits en appuyant le bouton MODE.
4. Placez les produits sur la PLATEFORME DE VERRE pour peser.

Utiliser La Fonction TARE Pour Remettre La Balance À « Zéro » :

1. Mettez un contenant sur la balance.
2. Lorsque la lecture est stable, appuyez « TARE » — « 0 » sera illustré sur l'affichage.
3. La balance a maintenant soustrait le poids du contenant, permettant à l'utilisateur d'ajouter des produits dans le contenant et d'obtenir le poids des produits seulement, et non du contenant. Enlever le contenant et appuyer sur TARE remettra la balance à zéro.

Français

CONSEILS POUR LE SCHEMMENT SOUS VIDE

AVERTISSEMENT: Pour éviter de surchauffer l'ÉLÉMENT DE CHAUFFAGE, ne pas sceller un sac après l'autre continuellement. L'appareil ne fonctionnera pas si le bouton « Scellement » est activé en dedans de 15 secondes de la dernière activation.

- Pour un meilleur effet de scellement, il est recommandé de laisser l'appareil refroidir pendant une minute avant de l'utiliser de nouveau.
- Essuyez tout excès de liquide ou de résidus d'aliments dans la CHAMBRE À VIDE après que chaque sac soit scellé.

IMPORTANT: Si vous avez scellé un côté du sac lorsque vous avez créé un sac de grandeur personnalisée, veuillez tailler tout excès de plastique du côté du scellement. Ceci pour assurer que le sac se scelle et que l'appareil fonctionne correctement.

- Coupez directement à travers le sac pour ouvrir un sac scellé.
 - Pour de meilleurs résultats, utilisez toujours des sacs pour SCHEMMEUSE SOUS VIDE. Nous recommandons les sacs de scelleuse sous vide et les rouleaux de marque NESCO®.
- TL'appareil peut sceller d'autres types de sac, comme les emballages pour croustilles. (VEUILLEZ ÊTRE PRUDENT LORSQUE VOUS ESSAYER D'AUTRES TYPES DE SACS, LE PLASTIQUE MINCE N'EST PAS RECOMMANDÉ.)





CONSEILS POUR LE SCELLEMENT SOUS VIDE

STOCKAGE ET SALUBRITÉ DES ALIMENTS:

IMPORTANT: Le scellement sous vide n'est PAS un substitut pour la réfrigération ou la congélation. Tous les aliments périssables qui exigent une réfrigération doivent quand même être réfrigérés ou congelés après l'emballage sous vide.

Pour de meilleurs résultats pour prolonger la durée de vie des aliments, il est important d'emballer des aliments sous vide qui sont frais. Une fois que les aliments ont commencé à se détériorer, l'emballage sous vide peut seulement ralentir le processus de détérioration. Le scellement sous vide ne peut pas prévenir la croissance de la moisissure. D'autres maladies causant des microorganismes peuvent toujours croître dans des environnements à faible oxygène et peuvent requérir d'autres mesures pour être éliminées.

PRÉPARATION POUR LES ALIMENTS POUDREUX:

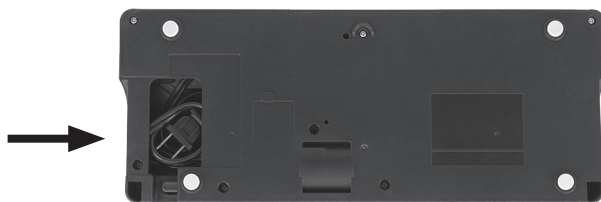
IMPORTANT : Lorsque vous emballez sous vide des aliments poudreux comme de la farine, il est préférable d'utiliser leur emballage original à l'intérieur des sacs sous vide. La poudre fine pourrait infiltrer l'appareil et causer des dommages qui réduiront la durée de vie de la scelleuse.

PRÉPARATION POUR LES LIQUIDES:

IMPORTANT: Avant d'emballer des liquides sous vide comme des bouillons, pré-congelez dans une cocotte, un moule ou un bac à glaçons jusqu'à l'état solide. Enlevez le liquide congelé de son moule et emballez sous vide dans des sacs sous vide. Lorsque vous êtes prêt à les utiliser, il suffit de couper un coin du sac et de le placer dans un plat qui va au micro-onde ou mettez le sac non coupé dans de l'eau et laissez mijoter à feu bas, entre 170 °F (75 °C).

ZONE DE STOCKAGE DU CORDON

· Lorsque non utilisé, placez le cordon d'alimentation dans la zone de stockage qui est située au bas de l'appareil. Ne pas entourer le cordon autour de l'appareil.





ENTRETIEN ET NETTOYAGE

1. TOUJOURS débrancher l'appareil avant de nettoyer.
2. NE PAS immerger dans l'eau ou tout autre liquide.
3. ÉVITEZ d'utiliser des produits ou des matières abrasives pour nettoyer l'appareil. Ces produits égratigneront la surface.
4. Utilisez un savon de vaisselle doux et un chiffon chaud et humide pour essuyer tous résidus d'aliments sur ou autour des composants. **LAVÉ À LA MAIN SEULEMENT.**
5. Essuyez à fond avant d'utiliser de nouveau.

Français

REMARQUE: Les joints en mousse autour de la chambre à vide devraient être asséchés à fond avant le réassemblage. Lors du réassemblage, afin d'empêcher tous dommages, placez les joints dans leur position originale pour s'assurer qu'il n'y aura pas de fuite de vide.

POUR LES PIÈCES MANQUANTES OU DE REMPLACEMENT, VEUILLEZ APPELER AU 1-800-288-4545. NE PAS RETOURNER AU MAGASIN.

STOCKAGE ET ÉLIMINATION

STOCKAGE:

- S'ASSURER QUE LE COUVERCLE DE CET APPAREIL EST DÉVERROUILLÉ LORSQUE NON EN UTILISATION ET EN STOCKAGE. Garder le couvercle verrouillé déformera les joints en mousse et causera des fuites.
- NE JAMAIS stocker l'appareil sur le côté. Stocker l'appareil sur une surface plate, froide, et sèche hors de la portée des enfants et des animaux.
- Toujours s'assurer que l'appareil est débranché, a refroidi complètement et que la balance est à ARRÊT avant de l'entreposer ou de la nettoyer.
- NE JAMAIS placer ou entreposer quoi que ce soit directement sur le dessus de la balance pour de longues périodes de temps, puisque ceci peut avoir un effet indésirable sur la longévité et l'exactitude de la balance.
- Lors d'entreposage pour des longues périodes de temps, enlever les piles de la balance.
- Nettoyer avec un chiffon humide et un détergent doux et sécher à fond avant d'entreposer. **LAVÉ À LA MAIN SEULEMENT.**
- Conserver l'emballage pour transporter ou entreposer l'appareil lorsque non utilisé pour des périodes prolongées de temps.

ÉLIMINATION:

- Cet appareil ne doit pas être éliminé de la même façon que les ordures ménagères ordinaires. Les déchets électriques et électroniques doivent être éliminés correctement.
- Contactez vos autorités municipales locales pour plus d'information sur l'élimination des produits.



DÉPANNAGE

Problem	Reasons Caused
Scellement sous vide mais non suivi d'un scellement automatique	Le joint inférieur ou le joint supérieur est-il déformé? Si déformé, le remplacer et essayer de nouveau.
	Le bord du sac couvre-t-il l'orifice d'aspiration? Si oui, veuillez placer le sac en bonne position.
	Le sac est-il trop rempli ce qui empêche le couvercle de ne pas verrouiller correctement? Si oui, enlever des aliments, nettoyer et redresser l'extrémité ouverte du sac, et essayer de nouveau.
	Le sac est-il déchiré ou crevé ce qui causerait une fuite? Si oui, utiliser un nouveau sac et essayer de nouveau.
Le scellement sous vide ne continue jamais avec le scellement	Le sac qui est scellé est-il fait sur mesure? Si oui, tailler tout excès de plastique sur les côtés du sac sur mesure et essayer de nouveau.
Ne scelle pas sous vide mais la fonction de scellement est bonne	Le sac est-il placé correctement dans la chambre à vide? Si non, mettre le rebord du sac dans la chambre à vide.
	Le bord du sac couvre-t-il l'orifice d'aspiration? Si oui, veuillez placer le sac en bonne position.
	Le bord du sac contient-il du liquide, des aliments ou toute autre substance? Si oui, nettoyer le bord du sac et essayer de nouveau.
	Le bord du sac a-t-il des plis? Si oui, enlever des aliments de sorte que le sac ait assez d'espace pour le scellement. Aplatir l'extrémité du sac non scellé et essayer de nouveau.
	Les produits ou les aliments emballés ont-ils des bords coupants? Si oui, utiliser des essuie-tout et courir les bords coupants avant de mettre le produit ou l'aliment dans le sac de scellement.
Gonflage du sac après scellement	Les aliments qui sont scellés sont-ils périssables? Tous les aliments périssables doivent être congelés ou réfrigérés avec le scellement pour prolonger leur durée de conservation. Le scellement sous vide ne garantit pas que ces aliments ne s'avarieront jamais.
	Les aliments qui sont scellés sont-ils des légumes ou des fruits frais? Tous les légumes et fruits frais ne sont pas appropriés pour un stockage à la température de la pièce après avoir été scellés sous vide. Les légumes et les fruits doivent être réfrigérés après le scellement sous vide pour prolonger leur durée de conservation.

DIRECTIVES DE CONSERVATION DES ALIMENTS

Classification	Produits Alimentaires	Température	Conservation Normale	Conservation Sous Vide
Viande cuite	Viande Fraîche Crue	5 ± 3°C	2 ~ 3 jours	8 ~ 9 jours
	Poisson/Fruits De Mer Frais	5 ± 3°C	1 ~ 3 jours	4 ~ 5 jours
	Viande Cuite	5 ± 3°C	4 ~ 6 jours	10 ~ 14 jours
	Légumes	5 ± 3°C	3 ~ 5 jours	7 ~ 10 jours
	Fruit	5 ± 3°C	5 ~ 7 jours	14 ~ 20 jours
	Oeufs	5 ± 3°C	10 ~ 15 jours	30 ~ 50 jours
Viande	Congelée	-16°C ~ -20°C	3 ~ 5 mois	> 1 an
	Poisson	-16°C ~ -20°C	3 ~ 5 mois	> 1 an
	Fruits De Mer	-16°C ~ -20°C	3 ~ 5 mois	> 1 an
Condition Normale	Pain	25 ± 2°C	1 ~ 2 jours	6 ~ 8 jours
	Biscuit	25 ± 2°C	4 ~ 6 mois	> 1 an
	Riz/Farine	25 ± 2°C	3 ~ 5 mois	> 1 an
	Arachides/Légumes	25 ± 2°C	3 ~ 6 mois	> 1 an
	Matériel Médical	25 ± 2°C	3 ~ 6 mois	> 1 an
	Thé	25 ± 2°C	5 ~ 6 mois	> 1 an

Français

GARANTIE LIMITÉE D'UN AN

La Metal Ware Corporation garantit à l'acheteur d'origine que votre produit sera exempt de défauts de matériaux et de fabrication pendant une période d'un an à compter de la date d'achat. Le produit doit être utilisé pour un usage personnel ou domestique unique conformément aux instructions. Si votre produit s'avère défectueux dans l'année suivant la date d'achat, contactez notre service client au 1-800-288-4545 ou envoyez un e-mail à nescocs@nesco.com avec une explication de la réclamation.

Si une réclamation de garantie viable est déterminée, un membre du service client vous fournira les détails nécessaires pour faire remplacer votre appareil. En vertu de cette garantie à durée limitée, nous nous engageons à remplacer toutes les pièces jugées défectueuses à notre seule discrétion. Cette garantie à durée limitée est annulée si l'appareil est connecté à une alimentation électrique inappropriée ou démonté ou perturbé de quelque manière que ce soit ou endommagé par une mauvaise utilisation. Cette garantie n'est pas transférable. **LIMITATION DES RECOURS ET DES DOMMAGES :** À l'exception de la garantie à durée limitée et des recours expressément indiqué ci-dessus, Metal Ware Corp ne sera pas responsable envers vous, ou envers toute personne réclamant par vous ou par votre intermédiaire, pour toute obligation ou responsabilité, y compris, mais sans s'y limiter, les obligations ou responsabilités découlant d'une rupture de contrat, d'une rupture de garantie, réclamations légales, négligence ou autre délit ou toute théorie de responsabilité stricte, en ce qui concerne le produit ou les actes ou omissions de Metal Ware Corp ou autres. L'acheteur convient qu'en aucun cas Metal Ware Corp ne sera responsable des dommages accessoires, compensatoires, punitifs, consécutifs, indirects, spéciaux ou autres. La garantie ne couvre pas les dommages indirects ou accessoires tels que les dommages matériels et ne couvre pas les frais et dépenses accessoires résultant de toute violation de cette garantie, même prévisible. Certains états ou provinces n'autorisent pas l'exclusion ou les limitations des dommages accessoires ou consécutifs, de sorte que la limitation ou l'exclusion ci-dessus peut ne pas s'appliquer à vous selon l'état ou la province d'achat.

Enregistrez votre produit sur notre site Web :

<https://www.nesco.com/customer-service/warranty-registration>

ou remplissez votre carte de garantie et renvoyez-la sous une semaine

à partir de la date d'achat avec une copie de la preuve d'achat.

Envoyer la carte de garantie à :

VSS Serie · Électrique Vacuum Sealer

C/O MW

PO Box 237

Two Rivers, WI 54241-0237

USA

Français



THANK YOU FOR CHOOSING NESCO®

We have been developing and producing kitchen appliances for over 100 years and are grateful for customers like you.

We ensure 100% customer satisfaction and have a full-time, knowledgeable staff ready to assist you. Please email our customer service department at nescocs@nesco.com or call 1-800-288-4545.

For more products or recipes, visit nesco.com.



Follow us on



300-09232 (6/23) © 2022 The Metal Ware Corp.
Tous droits réservés, y compris le droit de reproduction en totalité ou en partie.

