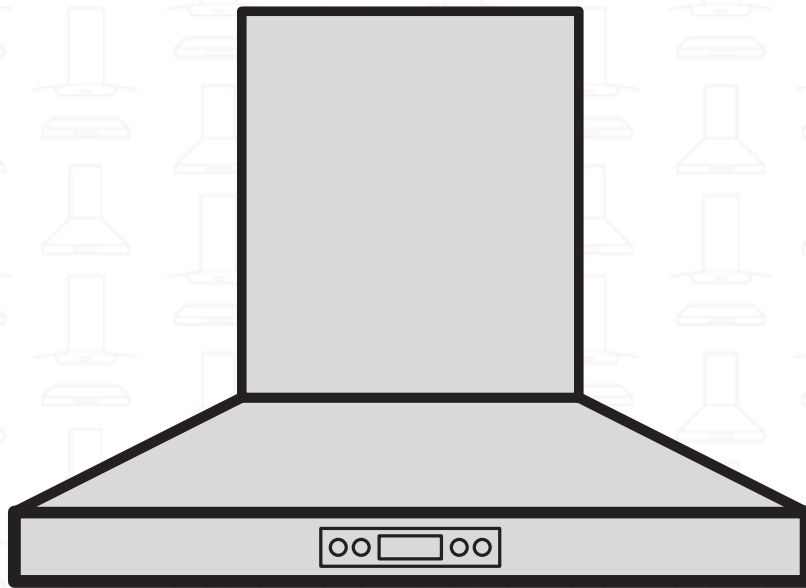


USER MANUAL

GUIDE D'UTILISATION



WM-540 Model Series
Série de modèles WM-540

H A U S L A N E

Table of Contents

Safety Information	2	Mount the Hood	7
Warranty Information	3	Attach Duct to Outlet Adapter (for Ducted Mode Only) ..	7
Specifications	4	Assemble the Chimney Bottom	8
Package Contents	4	Assemble the Chimney Top	8
Parts Included	4	Install Charcoal Filter (for Non-ducted Mode).....	8
Tools Needed	4	How to Use Your Range Hood	9
Preparation: What to Do Before Installation 5		Using the Front Control Panel.....	9
Read This Manual.....	5	Basic Maintenance Instructions	10
Remove Packaging	5	Maintaining the Stainless Steel Baffle Filters.....	10
Ensure There is Proper Height Clearance	5	Replacing the Non-Ducted Recirculation	
Check Your Power Supply and Ducts	5	Charcoal Filters.....	10
Complete Duct Work (for Ducted Mode).....	5	Replacing the LED Lamps.....	10
Figure Out Ducting Requirements & Install Adapter	6	Cleaning the Grease Tray	10
Find a Helper	6	Cleaning the Range Hood.....	10
How to Install Your Range Hood	7	Troubleshooting Tips	11
Test the Unit.....	7	Contact Hauslane	22
Place the Chimney Mounting Bracket.....	7		

Safety Information

Before installing your range hood, read the entire instruction manual. Installers, leave this manual with the homeowner.

⚠ WARNING

SUITABLE FOR USE IN HOUSEHOLD COOKING AREA ONLY. TO REDUCE THE RISK OF FIRE, ELECTRICAL SHOCK, OR INJURY, OBSERVE THE FOLLOWING:

1. Use this range hood only in the manner intended by the manufacturer. If you have the questions, contact Hauslane at **1-800-929-0168** or email at **info@hauslane.com**.
2. Before servicing or cleaning, switch power off at service panel and lock service panel to prevent power from being switched on accidentally. When the service disconnecting means cannot be locked, securely fasten a prominent warning device, such as a tag, to the service panel.
3. Installation work and electrical wiring must be done by qualified personnel in accordance with all applicable codes and standards, including fire-rated construction codes and standards.
4. Sufficient air is needed for proper combustion and exhausting of gases through the flue (chimney) of fuel-burning equipment to prevent back drafting. Follow the heating equipment manufacturer's guidelines and safety standards such as those published by the National Fire Protection Association (NFPA), and the American Society for Heating, Refrigeration and Air Conditioning Engineers (ASHRAE), and the local code authorities.
5. When cutting or drilling into wall or ceiling, do not damage electrical wiring and other hidden utilities.
6. Ducted fans must always be vented to the outdoors.
7. Do not use this unit with any solid-state speed control device.
8. To reduce the risk of fire, use only steel ductwork.

9. This unit must be grounded.

TO REDUCE THE RISK OF A RANGE TOP GREASE FIRE:

1. Never leave surface units unattended at high settings. Boil overs cause smoking and greasy spillovers that may ignite. Heat oils slowly on low or medium settings.
2. Always turn hood ON when cooking at high heat or when cooking flaming foods.
3. Clean ventilating fans frequently. Grease should not be allowed to accumulate on fan or filter.
4. Use proper pan size. Always use cookware appropriate for the size of the surface element.

⚠ WARNING

TO REDUCE THE RISK OF INJURY TO PERSONS IN THE EVENT OF A RANGE TOP GREASE FIRE, OBSERVE THE FOLLOWING*:

1. **SMOTHER FLAMES** with a close-fitting lid, cookie sheet or metal tray, then turn off the burner. **BE CAREFUL TO PREVENT BURNS. IF THE FLAMES DO NOT GO OUT IMMEDIATELY, EVACUATE AND CALL THE FIRE DEPARTMENT.**
2. **NEVER PICK UP A FLAMING PAN** as you may be burned.
3. **DO NOT USE WATER**, including wet dishcloths or towels. This could cause a violent steam explosion.
4. Use an extinguisher **ONLY** if:
 - A. You own a Class ABC extinguisher and you know how to operate it.
 - B. The fire is small and contained.
 - C. The fire department has been called.
 - D. You can fight the fire with your back to an exit.

*Based on "Kitchen Fire Safety Tips" published by NFPA.

⚠ CAUTION

1. For general ventilating use only. Do not use to exhaust hazardous or explosive materials and vapors.
2. To avoid damage and noisy and/or unbalanced impellers, keep drywall/construction dust, etc. off power unit.
3. Mount your range hood so that the bottom of the hood is 24" to 30" above the cooking surface. The minimum hood distance above cooktop must not be less than 24"; any installation less than 24" may cause overheating and cause damage to the range hood. For gas ranges, the required distance is 30". Do not exceed the maximum height of 30" while in operation. HAUSLANE does not warrant this improper installation.
4. Two to three installers are recommended because of the larger size and weight of this hood.
5. To reduce the risk of fire and to properly exhaust air, be sure to duct air outside. Do not exhaust air into spaces within walls and ceiling or into attics, crawl space or garages.
6. Because of the high exhausting capacity of this hood, you should make sure enough air is entering the house to replace exhausted air by opening a window close to or in the kitchen.
7. Use with approved cord-connection kit only.
8. Please read product specification label on range hood for further information and requirements.

Warranty Information

This range hood is warranted to the original purchaser to be free of defects in material and workmanship for two (2) years from the date of purchase.

Our obligation shall be limited to the repair or replacement of a unit (at our discretion) that may prove, by our sole examination, to be defective under normal use and service during the warranty period. We may issue credit in the amount of the invoice value of the defective product (or a percentage of it according to use) in lieu of repair or replacement. Any failure of this product that is not traceable to a defect in material or workmanship is not covered by this warranty. These non-warrantable items include, but are not limited to:

- Any defects or damage to light bulbs
- Change in color or finish due to chemical usage
- Improper installation not in accordance with the instructions
- Dents, bumps, and scratches incurred during shipping, handling, or installation
- Damage caused by failure to follow care and cleaning guidelines, including damage caused by the use of abrasive cleaners
- Alterations made to the unit by the purchaser or installer
- Damage caused by accidental impact, fire, flood, freezing, and normal wear
- Bends and warping caused by forced connections, over-tightened fittings, and inadequate support during installation

A thorough inspection must be made before installation and any damage must be promptly reported. We will not be liable for failures or damage that could have been discovered or avoided by proper inspection and testing prior to installation. Incidental repairs that would involve a minimum of time and effort on behalf of the purchaser will not be considered warranty work and no compensation will be deemed forthcoming.

This warranty is non-transferable and shall be voided if the unit is removed from its initial installation or if it is not installed following the instructions.

Under no circumstance shall we be held liable for personal

injury or property damage resulting from improper installation or use of this product. We will not be held liable for inconvenience caused by loss of use of this product, costs incurred for labor or materials, removal and installation of replacement units, or any other incidental or consequential damages. Costs relating to obtaining access for repair or replacement are the responsibility of the user.

This warranty does not extend to commercial and institutional installation or use.

Warranty Claim Procedure

If a claimable defect occurs, please contact our customer service team at **1.800.929.0168** (8 a.m.-5 p.m., PST, Monday-Friday). or email us at info@hauslane.com.

Before you make your claim call, please ensure that you have:

- Description of the range hood
- Proof of sale
- Details regarding the defect
- Name(s) and address(es) of the owner and installer

Claims must be filled out in writing and returned within six (6) months of the appearance of a defect. Failure to comply with this stipulation will make this warranty null and void. We reserve the right to a thirty-day (30) delay following the receipt of a claim in which to inspect the product. We assume no responsibility for labor costs, removing or replacing a previously installed product, transportation, or the return of a product.



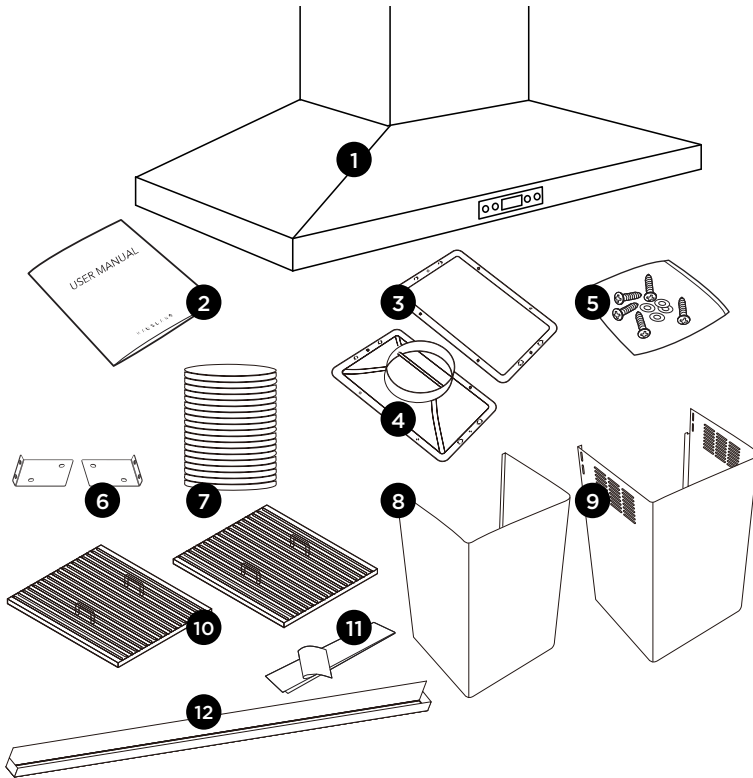
CALIFORNIA RESIDENTS ONLY WARNING:

Cancer and Reproductive Harm
www.P65Warnings.ca.gov

Specifications

Dimensions	Volts	Hertz	Fan CFM	Speeds	Light Wattage	Stainless Steel Grade
30": 29 1/2" W x 19 5/8" D	120	60	Equivalent Airflow: 860 Laboratory Airflow: 500	4	3W x 2 LED	430

Package Contents



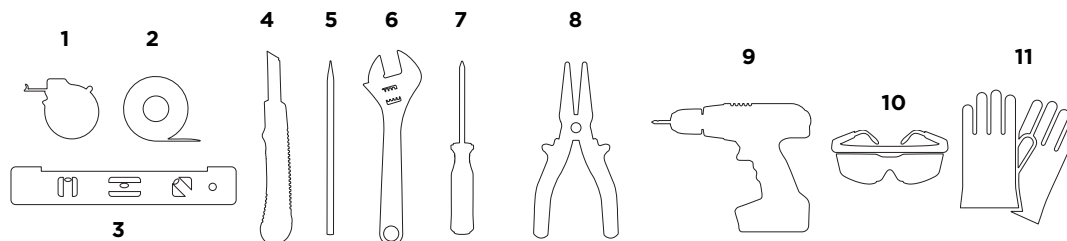
- 1 Range Hood
- 2 User Manual
- 3 Rubber Seal
- 4 Top 6" Round Exhaust Adapter
- 5 Bag of Screws
- 6 Chimney Mounting Bracket
- 7 Flexible Aluminum Duct
- 8 Bottom Chimney
- 9 Top Chimney
- 10 2 x Baffle Filters (Preinstalled)
- 11 Aluminum Foil Tape
- 12 Grease Tray

Parts Included

- 1 6 x AA Hood Mounting Screws
- 2 6 x BB Drywall Anchor
- 3 4 x CC Chimney Mounting Bracket Screws
- 4 6 x DD Adapter Mounting Screws

Tools Needed

Before you begin the installation process, gather the following tools:



- 1 Measuring Tape
- 2 Aluminum Foil Tape
- 3 Level
- 4 Utility Knife
- 5 Pencil
- 6 Adjustable Wrench
- 7 Philips Screwdriver
- 8 Needle Nose Pliers
- 9 Electric Drill & Extended length head driver bit
- 10 Safety Goggles
- 11 Safety Gloves

Preparation: What to Do Before Installation

Before installing your range hood, carefully follow these steps:

1. Read This Manual

Read through all the steps. If you fail to read the instructions carefully, we will not be responsible for damages incurred on your part. If you're not confident in your abilities to install the range hood properly, we recommend hiring a certified technician to complete the installation.

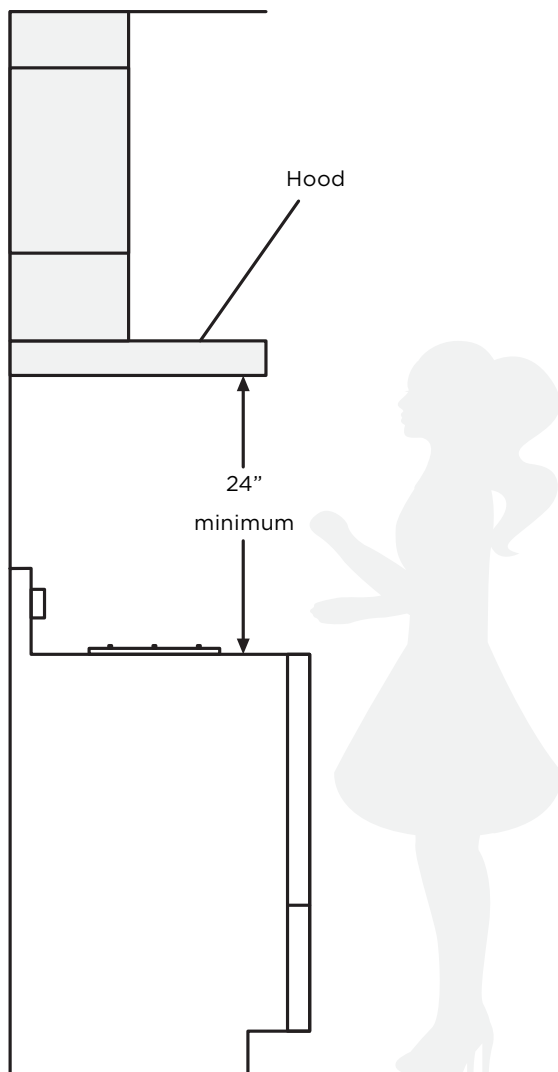
2. Remove Packaging

Open the box and carefully unbox the range hood. Remove any packaging, including the plastic wrap and protective plastic film, from the hood and the chimney covers. You can use stainless steel cleaner to wipe down the surface if desired. Keep all packaging materials until you are satisfied with our product.

3. Ensure There is Proper Height Clearance

To ensure the highest performance, the bottom of your range hood must be between 24" and 30" from the top of the cooking surface. For gas ranges, the required distance is 30". Do not exceed the maximum height of 30" while in operation.

This is very important! Installing at the incorrect height could lead to drastic reduction in the range's performance or even cause a fire.



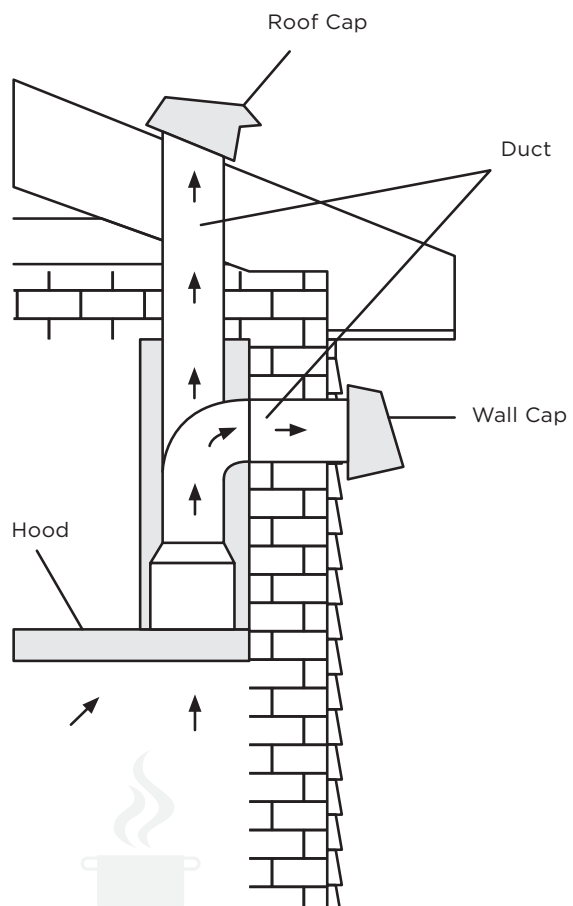
4. Check Your Power Supply and Ducts

Check to ensure your main voltage is in line with the required voltage outlined on the rating plate inside this hood. Also check the domestic power supply to guarantee adequate earthing before installation. When ducting to the outside, don't connect the range hood to exhaust ducts that carry any type of combustion fumes like fireplaces, boilers, or any similar items. The vents should have a short, straight run to the outside. Avoid any elbows if possible, and if an elbow is required, a minimum of a 12" straight run is imperative before the elbow.

5. Complete Duct Work (For Ducted Mode)

Remove the three baffle filters from the range hood by pulling the levers out and slowly removing them. Set them aside. Decide where the ductwork (not included) will run between the hood and the outside. A straight, short duct run will allow the hood to perform most efficiently. Long duct runs, elbows, and transitions will reduce the performance of the hood. Use as few of them as possible. Larger ducting may be required for best performance with longer duct runs.

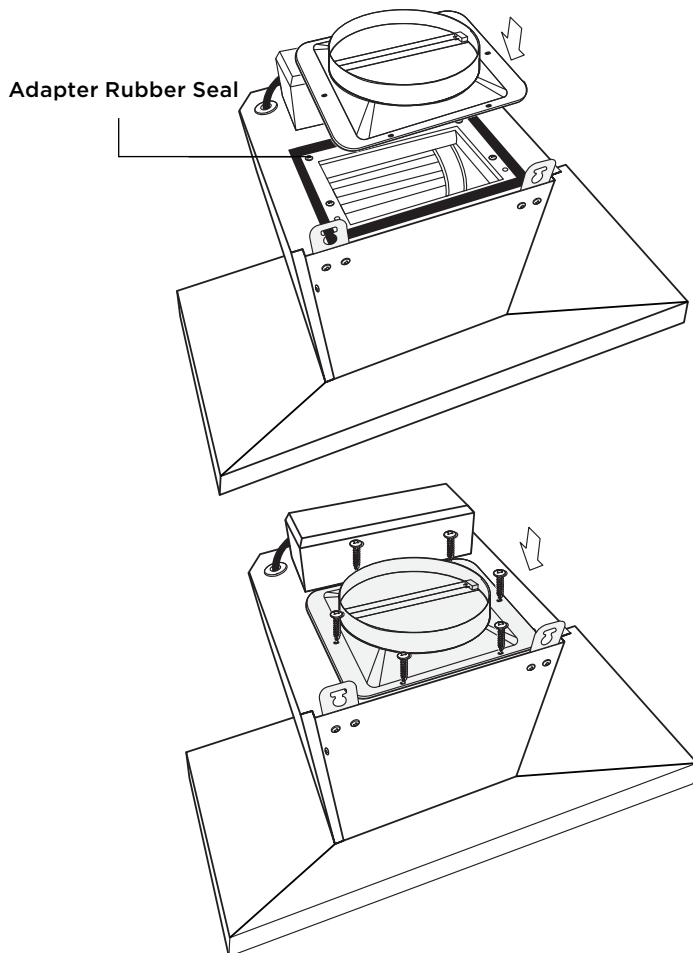
Attach an adequate length of the 6" flexible aluminum duct to the air outlet adapter. The air must not be discharged into a flue that is used for exhausting fumes from appliances burning gas or other fuels. Be sure to fulfill all regulations concerning air discharge. Install a roof/wall cap. Connect round metal ductwork to cap and work back towards hood location. Use duct tape to seal the joints between ductwork sections. (The roof/wall cap should be sourced locally).



Preparation: What to Do Before Installation

6. Figure Out Ducting Requirements & Install Adapter

Install duct adapter by placing adapter on top of vent exit and securing the 6 screws (DD).



7. Find a Helper

This range hood is best installed by two or more people due to its size and weight. Again, it is recommended to hire a certified technician for installation to reduce the risk of damage or injury.

How to Install Your Range Hood

When you've completed all the preparation steps, you're ready to install your range hood.

1. Test the Unit

Check your range hood for damaged or missing parts. Plug it in to an outlet to ensure the fan and lights work. If anything is damaged or missing, contact the manufacturer to get the issues solved. DON'T throw away packaging until you're sure you are fully satisfied with the product.

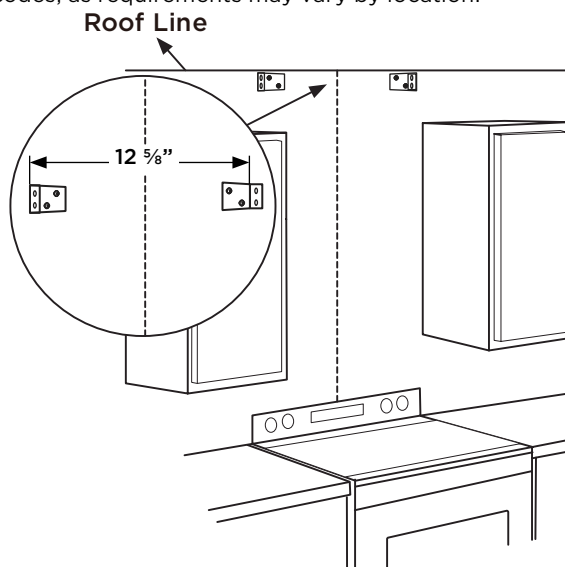
⚠ IMPORTANT: Power the range hood and test all functions before proceeding with the installation. If the range hood is not working properly, please contact us immediately (**1.800.929.0168 / info@hauslane.com**).

2. Place the Chimney Mounting Bracket

Use a pencil and level to draw a vertical reference line on the wall where the hood will be installed, extending as close to the ceiling as possible. Then, draw a horizontal line 24 to 30 inches above the cooking surface. For gas ranges, a 30-inch clearance is required.

Position the two chimney mounting brackets (#6) on the wall approximately 1 inch below the ceiling or the upper limit of your installation area, spaced $12\frac{5}{8}$ " apart. Ensure both brackets are equally distanced from the vertical reference line. Secure each bracket using two hood mounting screws (AA). Use brick anchors (BB) if installing on a masonry wall.

NOTE: Make sure the bracket is mounted securely in place able to hold weight. ALWAYS check with your local building codes, as requirements may vary by location.



3. Mounting the Hood

If you are the ONLY person installing the hood:

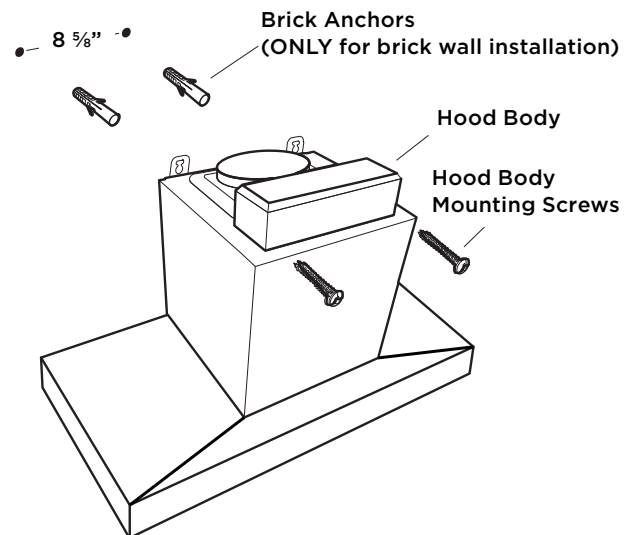
Install the two hood mounting screws (AA) along with the corresponding anchors (BB) if it is a brick wall. The distance between the two screws should be $8\frac{5}{8}$ ". Use a level to ensure the two screws are level.

Hook the hood body onto the screws (AA) that are already mounted onto the wall and securely tighten the screws.

Or, if you have a helper:

One person should hold the hood exactly where you want it to be installed. While one person holds the hood firmly against the wall, the other person should install the screws through the hood and tighten them securely. A minimum clearance of 24" must be maintained between the top of the range and the bottom of the hood.

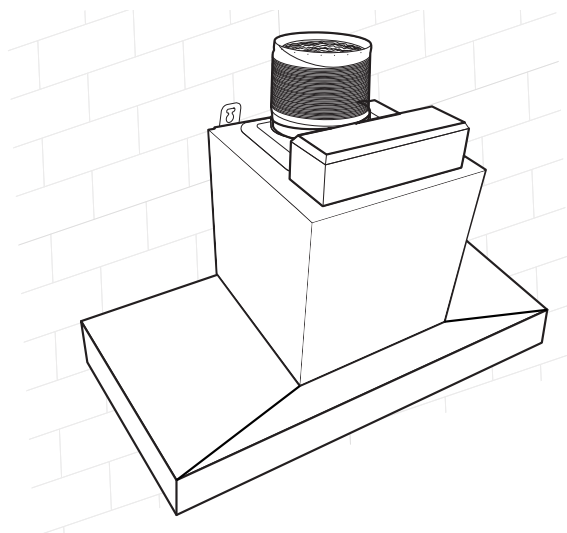
NOTE: Make sure the bracket is mounted securely in place able to hold weight.



4. Attach Duct to Outlet Adapter (for Ducted Mode ONLY)

⚠ CAUTION: to reduce risk of fire, use metal ductwork ONLY.

Now, attach an adequate length of 6-inch flexible aluminum duct (#7) to the top of the outlet adapter. Connect the other end of the flexible duct to the existing duct installed in your home. Make sure the duct runs vertically and remains unobstructed as much as possible to ensure maximum airflow. Secure the duct using aluminum foil tape (#11), taping all joints to ensure proper connection. Then, make sure the two flappers on the damper assembly operate freely.

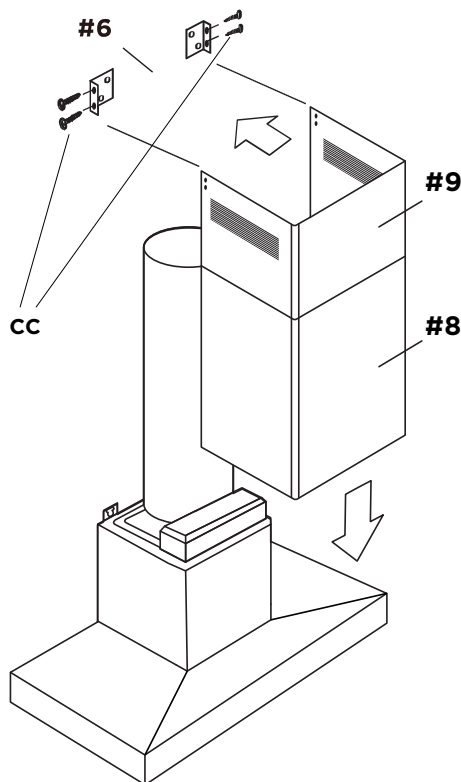


How to Install Your Range Hood

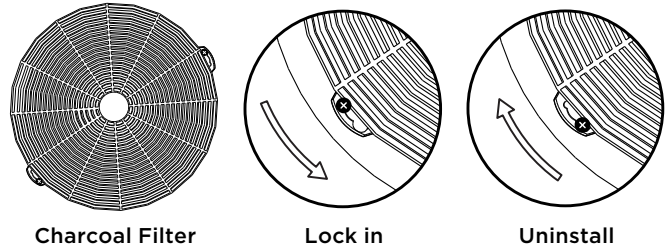
5. Telescopic Chimney Assembly

Chimney Bottom: Carefully slide the chimney bottom (#8) down outside the chimney top (#9) partly, and then carefully place the chimney bottom (#8) into the recessed area of the hood body top.

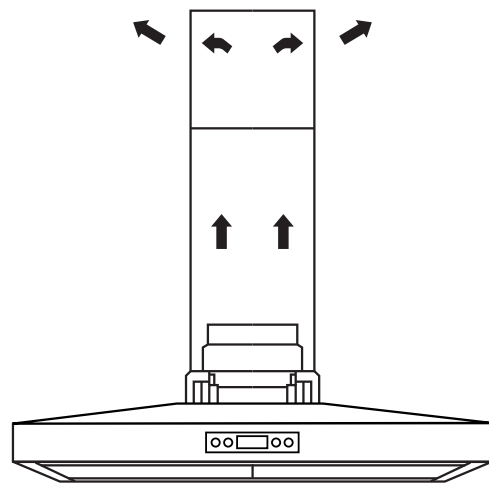
Chimney Top: Ensure the chimney mounting bracket (#6) is securely attached to the wall. Raise the chimney top (#9) up inside the chimney bottom (#8). Secure the chimney top (#9) to the chimney mounting bracket (#6) with the four chimney mounting screws (CC), two from each side.



On the right side of the motor housing you will see two screws standing out. Also the charcoal filter assembly tabs with the standing out screws. Once in place, turn the charcoal filter counter clockwise to lock in. To remove the charcoal filter, turn the the charcoal filter clockwise.

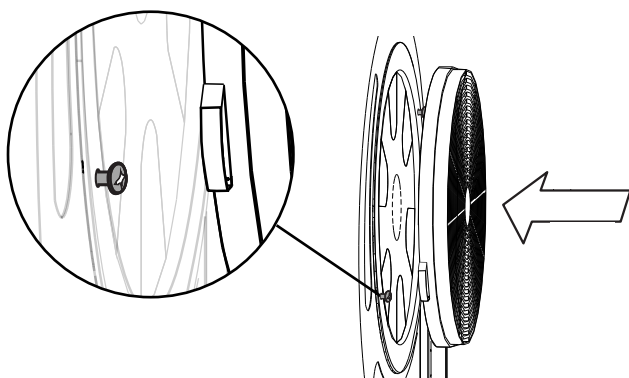


NOTE: Charcoal filters are sold separately. Order part number **CFI010**. We recommend replacing the charcoal filter every 2 months or more frequently if in heavy used.



6. Install Charcoal Filter (Non-Ducted ONLY)

If it is NOT possible to vent to the outside, the range hood can be operated in non-ducted mode. Install the supplied duct adapter (if applicable), and ensure that there is enough clearance above the unit to allow air to recirculate properly. To install the charcoal filter, first remove the baffle filters.



Be Careful with Electrical Connections.

⚠ WARNING: Electrical wiring MUST BE done by a qualified person(s) in accordance with all applicable codes and standards. Turn off electrical power at service entrance before wiring.

⚠ WARNING: DO NOT use the plug and an extension cord other than the ones initially supplied with the hood.

⚠ WARNING: The ground connection of this hood is compulsory. DO NOT remove ground prong of the plug.

How to Use Your Range Hood

Now that your range hood is installed, it's time to learn how to use it. It is very simple to use and is operated entirely using the front control panel.

Using the Front Control Panel

Use the simple front control panel to turn the lights and fan on or off.



- 1 Power On / Off**
Power On default F1 (low speed)
- 2 Decrease Speed**
- 3 Increase Speed**
- 4 Delay Shut-Off Function**
Press and hold the power button for 3 seconds to activate the delay function, the power button will blink for the 5 minute preset time.
- 5 Light On / Off**

Basic Maintenance Instructions

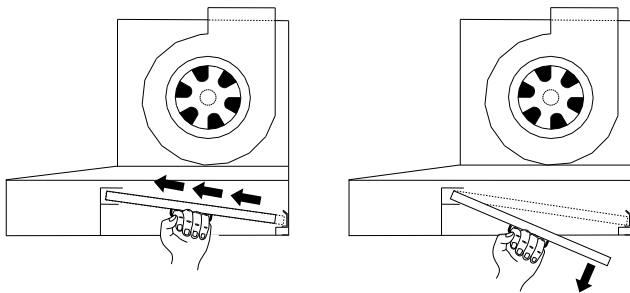
Your range hood requires some easy routine maintenance to keep it running efficiently.

Maintaining the Stainless Steel Baffle Filters

Clean the grease filters frequently—we suggest cleaning every 2 weeks, or more frequently for heavy use.

Remove the Baffle Filters

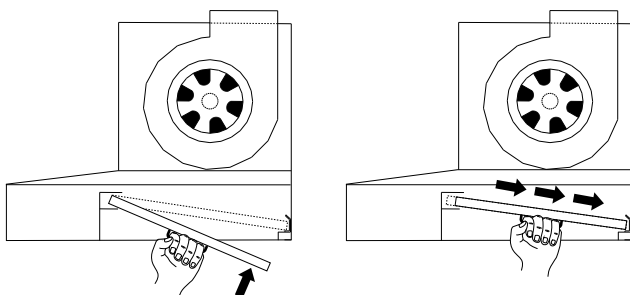
1. Grab the baffle filter handles.
2. Slide upwards and tilt out from the bottom of the hood.



3. Wash the baffle filters, taking care not to bend them. Alternatively, place them in dishwasher.
4. Let the baffle filters dry completely.

Install the Baffle Filters

1. Grab the baffle filter by the handles.
2. Slide the baffle filter towards the top of the hood then slide to the back of the hood over the oil tray. Ensure the baffle filter is resting on the oil tray and the ledge of the top of the hood.



Cleaning the Grease Tray

The grease tray is located behind the baffle filters at the rear of the unit and must be cleaned frequently. DO NOT let the grease tray get more than half full.

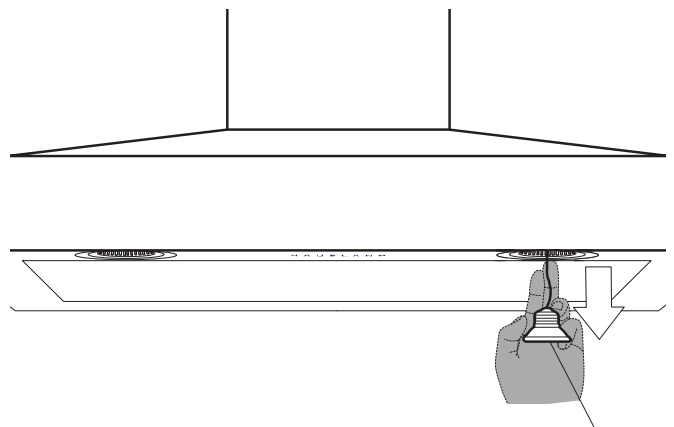
1. Remove the grease tray by sliding it out carefully.
2. To clean, simply use a warm detergent.
3. Allow the grease tray to dry before reinstalling.

Replacing the LED Lamps

CAUTION: Always switch off the electrical supply before replacing lamps.

This range hood requires two LED lamps (3W). The light bulbs can be order from www.hauslane.com part #LTG019A.

1. Switch off power and remove the baffle filters. Remove the baffle filters.
2. Disconnect the light from the range hood.
3. Push out the light bulb from inside. Install new lights by connecting the wire and pushing up the light. Reinstall baffle filters to complete the process.



Connection point

Cleaning the Range Hood

This range hood will look great and function correctly for a long time with proper care.

Here are a few DO'S and DONT'S when caring for your range hood.

WARNING: Failure to maintain basic standards of care and cleaning will increase the risk of fire.

DO'S	DONT'S
Clean the range hood with warm, soapy cloth or a stainless-steel polish.	Don't use cleaners or cloths that are corrosive or abrasive. Don't use detergents with ingredients like chloride, iodide, or fluoride.
Clean the hood in line with the grain of the stainless steel.	Don't leave dirt or soap residue on the hood. This can damage the surface. Wash the hood's surface and rinse immediately with clean water.
After cleaning with soap, rinse with clean water and wipe with a clean, dry cloth.	Don't let particles, especially construction particles (from sanding, etc.) enter the hood. Cover the hood during room renovations.
Check the ducts and vents regularly to make sure they are not clogged.	Don't use flammable agents near the stove, as these can cause explosions.

Troubleshooting Tips

⚠ WARNING: Please turn off the power circuit or power breaker panel before troubleshooting this range hood.

Failure to do so can cause death or serious injury.

PROBLEM	SOLUTION
My range hood won't work.	<ol style="list-style-type: none"> 1. Make sure the power supply and wiring are connected securely. 2. Double-check to see that the power breaker is on and the power supply is live. 3. Check to see that the control panel cables are connected correctly to the switchboards.
My range hood vibrates while the fan is operating.	<ol style="list-style-type: none"> 1. Check to ensure the hood is firmly secured to the cabinet/wall. Tighten or add screws if necessary. 2. Confirm that the motor is firmly in place and secured safely. If it is not, tighten it. 3. If those steps haven't resolved the issue, your fan may be damaged. If it is damaged, you may need to replace it.
The fan is operating weakly.	<ol style="list-style-type: none"> 1. Double-check to ensure the duct size is correct. 2. Clean ducts or filters if they're dirty. Also, check to make sure the mesh enclosure on the hood is receiving proper air ventilation. 3. If possible, check to see that the damper is functioning properly regarding the opening.
The fan is not working properly even though the lights are working.	<ol style="list-style-type: none"> 1. Double-check that the fan is not jammed /that it isn't scraping any of the surfaces of the hood. 2. If this doesn't work, you may need to replace the motor as it may be defective.
The vent hood is not working efficiently.	<ol style="list-style-type: none"> 1. The minimum distance between the cooking area and the appliance should be 24" or 30" maximum. Check to see if this is correct. 2. Make sure that the duct is not susceptible to easy wind opening. 3. Make sure the fan speed is at the appropriate rate. The heavier the cooking, the greater the speed of the hood should be set. 4. Closing the windows and doors in the room will allow the vent to work much better. 5. As noted during the installation process, all ductwork must be done correctly. You may need to reduce the length of ductwork or reduce elbows. 6. Make sure all joinery in ductwork is sealed and secured properly.
The light is not working.	<ol style="list-style-type: none"> 1. Check to see if lightbulb is loose and needs to be tightened. 2. If tightening doesn't fix the problem, replace bulb with a new one and see if that solves the issue. 3. If replacement and/or tightening does not solve, you may need to replace the lighting service system on the hood.
The touch panel is not responding.	<ol style="list-style-type: none"> 1. Perform a power cycle reset by unplug the power cord, wait 10 seconds, and plug the power cord back. 2. If Step 1 doesn't resolve the issue, please contact us immediately for a control panel replacement.

Still experiencing problems after following these steps?

Contact a technician to assist. Contact us at **1.800.929.0168** or **info@hauslane.com**.

Table des matières

Renseignements sur la sécurité	12	Placer le support de montage de la cheminée.....	17
Notre garantie	13	Monter la hotte	17
Spécifications	14	Fixer le conduit à l'adaptateur de sortie (pour mode ventilé uniquement).....	17
Contenu	14	Assembler le dessous de la cheminée.....	18
Pièces comprises	14	Assembler le dessus de cheminée	18
Outils nécessaires	14	Installer le filtre à charbon (pour le mode non ventilé).....	18
Préparation : ce qu'il faut faire avant		Comment utiliser votre hotte de cuisine ..	19
l'installation	15	Comment utiliser le panneau avant.....	19
Lire ce guide	15	Instructions de base pour l'entretien	20
Retirer l'emballage.....	15	Entretien du filtre à chicane en acier inoxydable.....	20
S'assurer que la hauteur libre est suffisante	15	Remplacer le système de recirculation non ventilé	
Vérifier l'alimentation électrique et vos conduits.....	15	Remplacer les filtres à charbon.....	20
Conduits complets (pour le mode ventilé).....	15	Remplacer les lampes DEL	20
Déterminer les besoins en conduits et installer l'adaptateur.....	16	Nettoyer du bac à graisse.....	20
Trouver un assistant	16	Nettoyer la hotte de cuisine.....	20
Comment installer votre hotte de cuisine	17	Conseils de dépannage	21
Tester la hotte	17	Contacteur Hauslane	22

Renseignements sur la sécurité

Avant d'installer votre hotte, lisez l'intégralité de ce guide d'utilisation. Les installateurs doivent aussi laisser ce manuel au propriétaire de la maison.

AVERTISSEMENT

CET APPAREIL NE PEUT ÊTRE UTILISÉ QUE DANS UNE ZONE DE CUISSON DOMESTIQUE. POUR RÉDUIRE LES RISQUES D'INCENDIE, D'ÉLECTROCUTION, OU DE BLESSURE, OBSERVEZ CE QUI SUIT:

1. N'utilisez cette hotte que de la manière prévue par le fabricant. Si vous avez des questions, contactez Hauslane au **1-800-929-0168** ou par courriel à **info@hauslane.com**.
2. Avant toute opération d'entretien ou de nettoyage, coupez l'alimentation au niveau du panneau de service et verrouillez ce dernier afin d'éviter toute remise sous tension accidentelle. S'il est impossible de verrouiller le dispositif de déconnexion, fixez solidement un dispositif d'avertissement bien visible, tel qu'une étiquette, sur le panneau de service.
3. Les travaux d'installation et le câblage électrique doivent être effectués par du personnel qualifié conformément à tous les codes et normes applicables — y compris les codes et normes de construction ignifugés.
4. Une quantité d'air suffisante est nécessaire pour assurer une bonne combustion et l'évacuation des gaz par le conduit de fumée (la cheminée) des appareils et pour éviter les retours d'air. Suivez les instructions du fabricant et les normes de sécurité telles que celles publiées par la National Fire Protection Association ainsi que les autorités locales chargées de la réglementation.
5. Lorsque vous découpez ou percez un mur ou un plafond, n'endommagez pas les câbles électriques et autres installations cachées.
6. Les ventilateurs aspirants doivent toujours être ventilés vers l'extérieur.
7. N'utilisez pas cet appareil avec un dispositif de contrôle de la vitesse à semi-conducteurs.

8. Pour réduire le risque d'incendie, n'utilisez que des conduits en acier.

9. Cet appareil doit être mis à la terre.

POUR RÉDUIRE LE RISQUE D'INCENDIE DE GRAISSE SUR LA CUISINIÈRE:

1. Ne laissez jamais les appareils de surface sans surveillance à des réglages élevés. Les débordements provoquent des fumées et des débordements graisseux qui peuvent s'enflammer. Faites chauffer les huiles lentement à feu doux ou moyen.
2. Mettez toujours la hotte en marche lorsque vous cuisinez à feu vif ou lorsque vous cuisinez des aliments enflammés.
3. Nettoyez fréquemment les ventilateurs. La graisse ne doit pas s'accumuler sur le ventilateur ni le filtre.
4. Utilisez une casserole de taille appropriée. Utilisez toujours des ustensiles de cuisine adaptés à la taille de l'élément de surface.

AVERTISSEMENT

POUR RÉDUIRE LES RISQUES DE BLESSURES EN CAS D'INCENDIE DE GRAISSE SUR LE DESSUS DE LA CUISINIÈRE, RESPECTEZ LES CONSIGNES SUIVANTES*:

1. ÉTEIGNEZ LES FLAMMES à l'aide d'un couvercle hermétique, d'une plaque à biscuits ou d'un plateau métallique, puis éteignez le brûleur. **SOYEZ PRUDENT POUR ÉVITER LES BRÛLURES. SI LES FLAMMES NE S'ÉTEIGNENT PAS IMMÉDIATEMENT, ÉVACUEZ LES LIEUX ET APPELEZ LES POMPIERS.**
2. Ne ramassez jamais une casserole enflammée, vous risqueriez de vous blesser.
3. **N'UTILISEZ PAS D'EAU**, y compris des torchons ou des serviettes mouillés. Cela pourrait provoquer une violente explosion de vapeur.
4. Utilisez un extincteur **SEULEMENT** si:
 - A. Vous possédez un extincteur de classe ABC et vous savez comment l'utiliser.

- B. L'incendie est limité et circonscrit.
- C. Les pompiers ont été appelés au préalable.
- D. Vous avez un accès immédiat vers une sortie.

*Basé sur «Kitchen Fire Safety Tips» (les conseils de sécurité pour cuisine) publié par la National Fire Protection Association (Association nationale de protection contre l'incendie) des États-Unis.

ATTENTION

1. Pour un usage général de ventilation uniquement. Ne pas utiliser pour évacuer des matières et des vapeurs dangereuses ou explosives.
2. Pour éviter d'endommager votre hotte de cuisine, évitez que la poussière de cloison sèche ou de construction, etc. n'entre en contact.
3. Installez votre hotte de façon à ce que le bas de la hotte se trouve entre 24 et 30 pouces (610 x 760mm) au-dessus de la surface de cuisson. La distance minimale de la hotte au-dessus de la surface de cuisson ne doit pas être

inférieure à 24 pouces (610mm); toute installation à moins de 24 pouces (610mm) peut causer une surchauffe et endommager la hotte, HAUSLANE ne garantit pas cette installation inadéquate.

4. Il est recommandé de faire appel à deux ou trois installateurs en raison de la taille et du poids importants de cette hotte.
5. Pour réduire le risque d'incendie et évacuer correctement l'air, veillez à évacuer l'air à l'extérieur. Ne pas évacuer l'air dans les espaces entre les murs et les plafonds, ni dans les greniers, les vides sanitaires ou les garages.
6. En raison de la grande capacité d'évacuation de cette hotte, vous devez vous assurer que suffisamment d'air entre dans la maison pour remplacer l'air évacué en ouvrant une fenêtre près de la cuisine ou dans la cuisine.
7. N'utilisez qu'avec un kit de connexion de câble approuvé.
8. Veuillez lire l'étiquette de spécification du produit sur la hotte pour plus d'informations et d'exigences.

Notre garantie

Cette hotte est garantie à l'acheteur d'origine contre tout défaut de matériau et de fabrication pendant deux (2) ans à compter de la date d'achat.

Notre obligation se limite à la réparation ou au remplacement d'une unité (à notre discrétion) qui s'avérerait, selon notre seul examen, défectueuse dans des conditions normales d'utilisation et d'entretien pendant la période de garantie. Nous pouvons accorder un crédit du montant de la valeur de la facture du produit défectueux (ou d'un pourcentage de celle-ci en fonction de l'utilisation) au lieu d'une réparation ou d'un remplacement. Toute défaillance de ce produit qui n'est pas imputable à un défaut de matériau ou de fabrication n'est pas couverte par la présente garantie. Ces éléments non couverts par la garantie comprennent, sans s'y limiter, les éléments suivants :

- Défauts ou dommages éventuels des ampoules
- Changement de couleur ou de finition dû à l'utilisation de produits chimiques
- Installation incorrecte et non conforme aux instructions
- Bosses et éraflures causées par l'expédition, la maintenance, ou l'installation
- Dommages causés par le non-respect des consignes d'entretien et de nettoyage—y compris les dommages causés par l'utilisation de nettoyeurs abrasifs
- Modifications apportées à l'appareil par l'acheteur ou l'installateur
- Dommages causés par un choc accidentel, un incendie, une inondation, le gel, ou l'usure normale
- Courbures et déformations causées par des connexions forcées, des raccords trop serrés, ou un support inadéquat lors de l'installation

Une inspection minutieuse doit être effectuée avant l'installation et tout dommage doit être signalé rapidement. Nous ne serons pas responsables des défaillances ou des dommages qui auraient pu être découverts ou évités par une inspection et des essais appropriés avant l'installation.

Les réparations accessoires qui impliquent un minimum de temps et d'efforts de la part de l'acheteur ne sont pas considérées comme des travaux sous garantie et aucune compensation n'est prévue.

Cette garantie n'est pas transférable et sera annulée si l'appareil est retiré de son installation initiale ou s'il n'est pas installé en suivant les instructions.

Nous ne pouvons en aucun cas être tenus pour responsables des dommages corporels ou matériels résultant d'une installation ou d'une utilisation incorrecte de ce produit. Nous ne serons pas tenus responsables des désagréments causés par la perte d'utilisation de ce produit, des coûts de main-d'œuvre ou de matériaux, de l'enlèvement, et de l'installation d'unités de remplacement, ou de tout autre dommage accessoire ou indirect. Les frais liés à l'obtention d'un accès pour réparation ou remplacement sont à la charge de l'utilisateur.

Procédure de réclamation au titre de la garantie

En cas de défaut pouvant faire l'objet d'une réclamation, veuillez contacter notre service clientèle au **1.800.929.0168** (de 8 heures à 17 heures, heure Pacifique, du lundi au vendredi). ou envoyez-nous un courriel à l'adresse suivante : **info@hauslane.com**.

Avant de faire votre réclamation, veuillez vous assurer que vous avez:

- Description de la hotte
- Preuve de vente
- Détails concernant le défaut
- Nom(s) et adresse(s) du propriétaire et de l'installateur

Les demandes doivent être remplies par écrit et renvoyées dans un délai de six (6) mois après l'apparition d'un défaut. Le non-respect de cette disposition rendra la présente garantie nulle et non avenue. Nous nous réservons le droit d'accorder un délai de trente jours (30) après la réception d'une réclamation pour inspecter le produit. Nous n'assumons aucune responsabilité pour les coûts de main-d'œuvre, le retrait ou le remplacement d'un produit déjà installé, le transport ou le retour d'un produit.

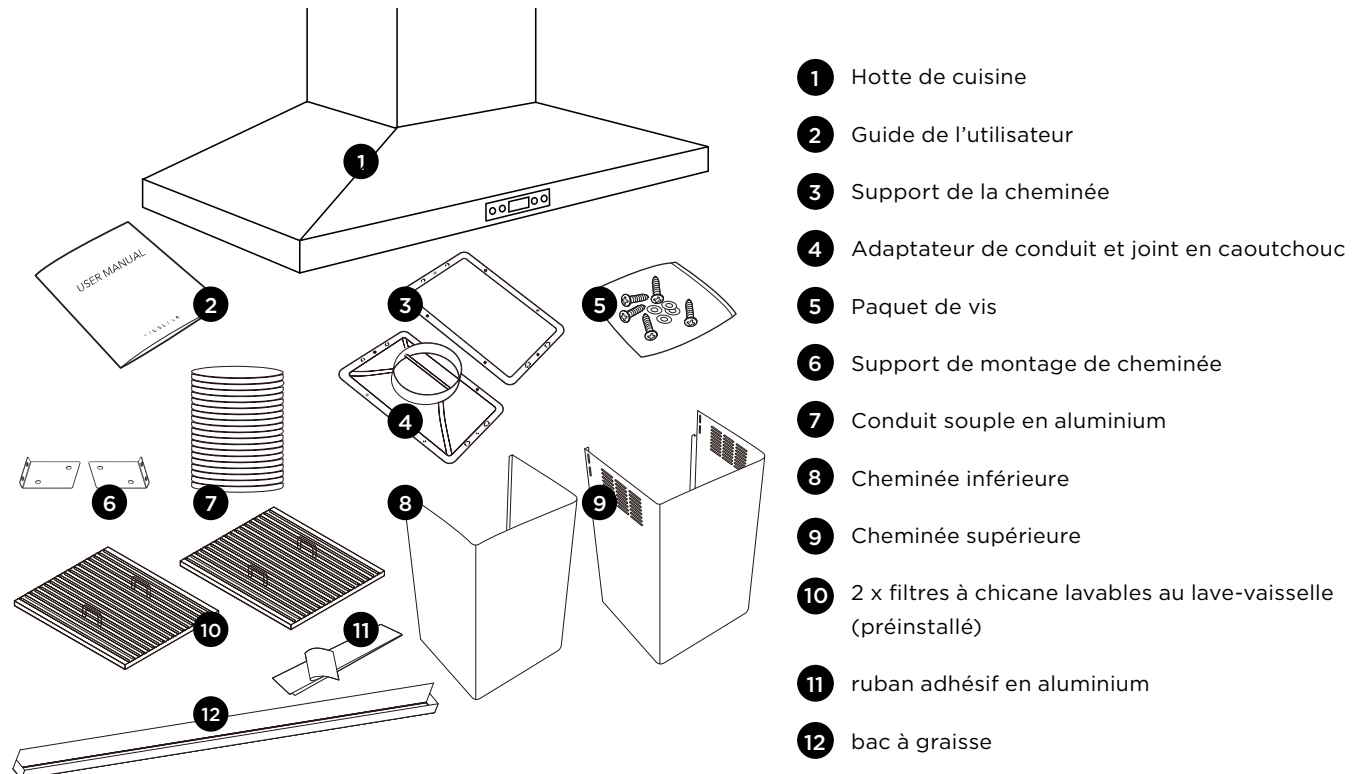


RÉSIDENTS DE CALIFORNIE UNIQUEMENT
AVERTISSEMENT: Cancer et effets néfastes sur la reproduction
www.P65Warnings.ca.gov

Spécifications

Dimensions	Volts	Hertz	Ventilateur CFM	Vitesse	Puissance lumineuse	Qualité de l'acier inoxydable
30" : 29 1/2" L x 19 5/8" P	120	60	Débit d'air équivalent : 860 Débit d'air du laboratoire : 500	4	3W x 2 DEL	430

Contenu du paquet

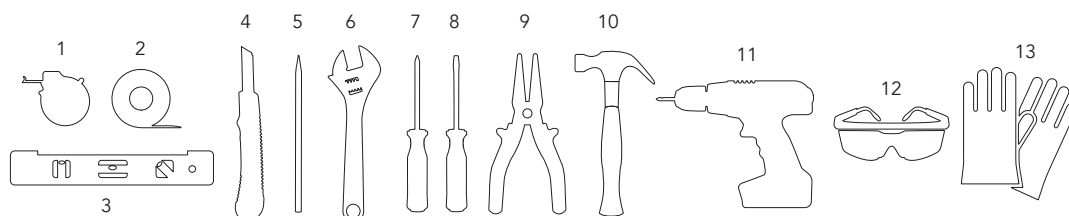


Pièces comprises



Outils nécessaires

Avant de commencer le processus d'installation, rassemblez les outils suivants :



- 1 ruban à mesurer
- 2 ruban
- 3 niveau
- 4 couteau utilitaire
- 5 crayon
- 6 clé à molette
- 7 tournevis cruciforme
- 8 tournevis plat
- 9 pince à bec effilé
- 10 marteau
- 11 perceuse électrique
- 12 lunettes de sécurité
- 13 gants de sécurité

Préparation : ce qu'il faut faire avant l'installation

Avant d'installer votre hotte, suivez attentivement les étapes suivantes :

1. Lire ce guide

Lisez toutes les étapes. Si vous ne lisez pas attentivement les instructions, nous ne serons pas responsables des dommages que vous pourriez subir. Si vous n'êtes pas sûr de pouvoir installer correctement la hotte, nous vous recommandons de faire appel à un technicien agréé pour effectuer l'installation.

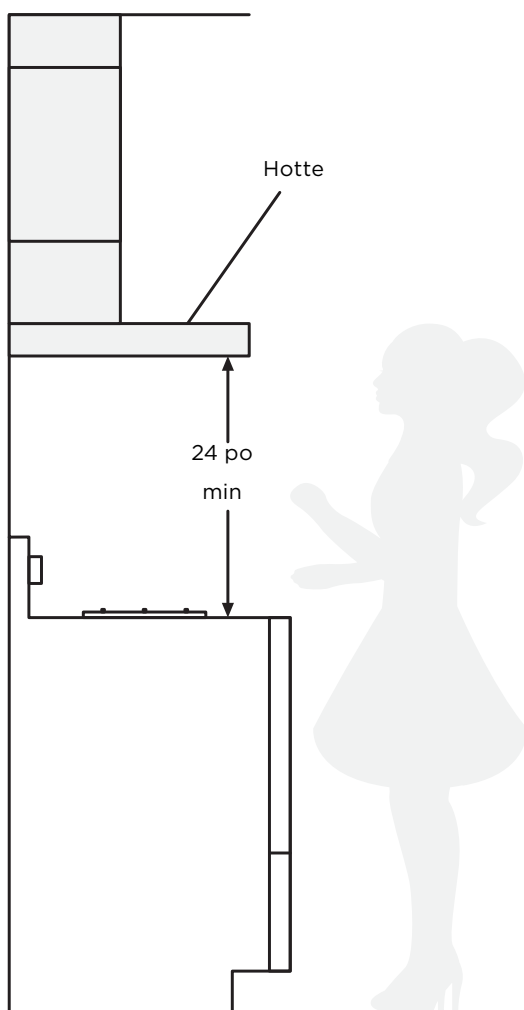
2. Retirer l'emballage

Ouvrez la boîte et déballez soigneusement la hotte. Retirez l'emballage, y compris la pellicule plastique et la pellicule de protection, de la hotte et des couvercles de cheminée. Vous pouvez utiliser un nettoyant pour acier inoxydable pour essuyer la surface si vous le souhaitez. Conservez tous les matériaux d'emballage jusqu'à ce que vous soyez satisfait de notre produit.

3. S'assurer que la hauteur libre est suffisante

Pour obtenir les meilleures performances, le bas de la hotte doit se situer entre 24 et 30 po du haut de la surface de cuisson. Pour les cuisinières à gaz, la distance requise est de 30 po. Ne dépassez pas la hauteur maximale de 30 po lorsque l'appareil fonctionne.

Attention, cette étape est très importante! Une installation à une hauteur incorrecte peut entraîner une réduction drastique des performances de la cuisinière, voire provoquer un incendie.



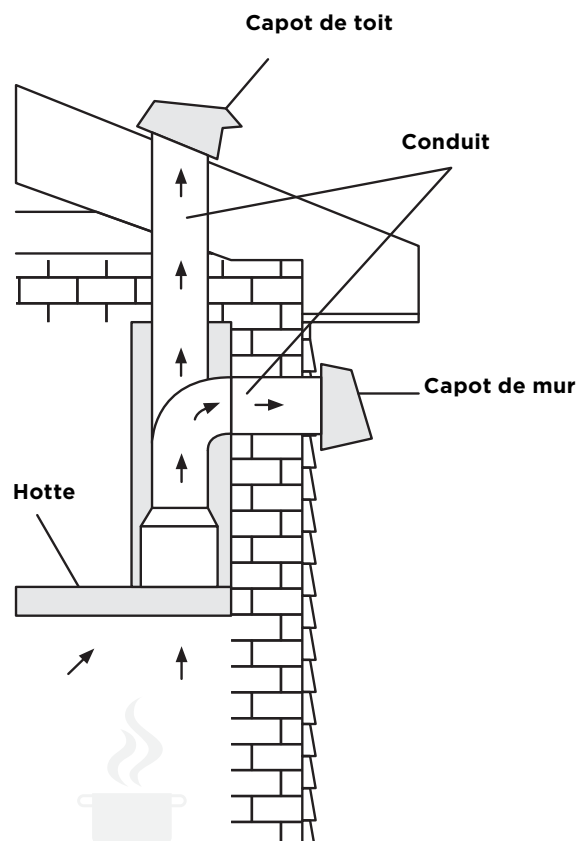
4. Vérifier l'alimentation électrique et les conduits

Vérifiez que votre tension principale est conforme à la tension requise indiquée sur la plaque signalétique à l'intérieur de cette hotte. Vérifiez également l'alimentation électrique domestique pour garantir une mise à la terre adéquate avant l'installation. Lors de l'installation des conduits vers l'extérieur, ne raccordez pas la hotte à des conduits d'évacuation qui transportent des fumées de combustion, comme les cheminées, les chaudières ou tout autre appareil similaire. Les conduits d'évacuation doivent être courts et rectilignes. Dans la mesure du possible, évitez les coudes, et au cas où un coude est nécessaire, prévoyez un minimum de 5 pieds de diamètre. Il est impératif d'avoir une ligne droite de 12 pouces avant le coude.

5. Conduits complets (pour le mode ventilé)

Déterminez l'emplacement du conduit (non fourni) entre la hotte et l'extérieur. Notez qu'un conduit droit et court permettra à la hotte de fonctionner plus efficacement. Installez un capot de toit ou de mur. Raccordez les conduits métalliques au capot, puis ramenez-les vers l'emplacement de la hotte. Enfin, vérifiez et collez correctement tous les joints des conduits pour assurer des raccordements corrects.

Ensuite, fixez une longueur suffisante de conduit flexible en aluminium de 6 à l'adaptateur de sortie d'air. L'air ne doit pas être évacué dans un conduit utilisé pour l'évacuation des fumées d'appareils fonctionnant au gaz ou à d'autres combustibles. Veillez à respecter toutes les réglementations relatives à l'évacuation de l'air. Installez un capuchon de toit/mur. Raccordez les conduits métalliques ronds au chapeau et remontez vers l'emplacement de la hotte. Utilisez du ruban adhésif pour sceller les joints entre les sections de conduits. (Le capuchon de toit/mur peut être trouvé localement).

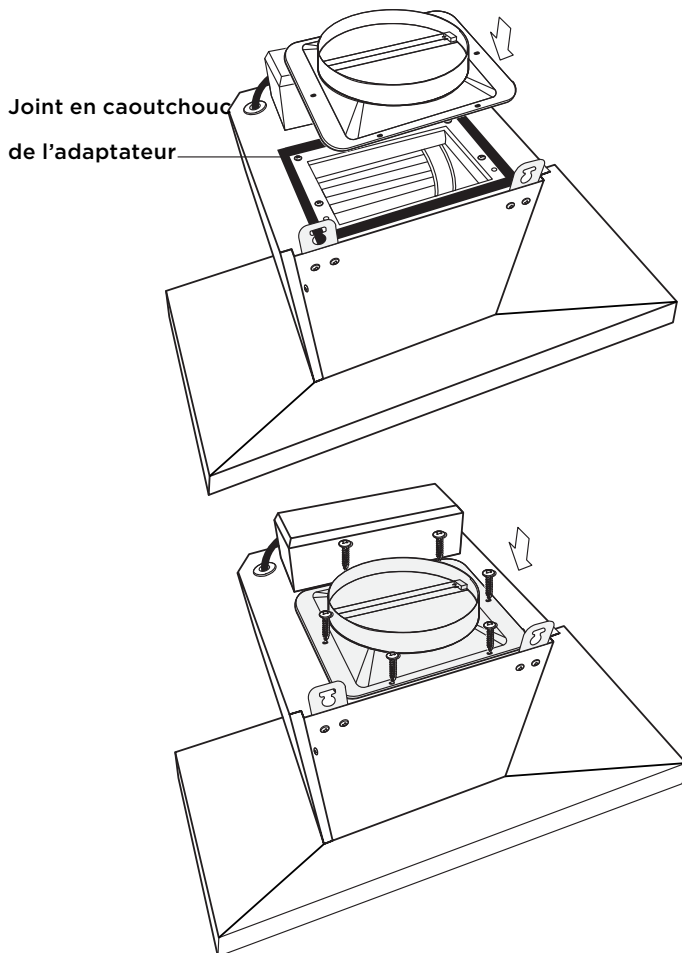


Préparation : ce qu'il faut faire avant l'installation

6. Déterminer les besoins en conduits et installer

l'adaptateur

Installez l'adaptateur de conduit en le plaçant sur le dessus de la sortie de l'évent et en le fixant à l'aide des 6 vis DD.



7. Trouver un assistant

En raison de sa taille et de son poids, il est préférable que cette hotte soit installée par au moins deux personnes. Là encore, il est recommandé de faire appel à un technicien certifié pour l'installation afin de réduire les risques de dommages ou de blessures.

Comment installer votre hotte de cuisine

Lorsque vous avez terminé toutes les étapes de préparation, vous êtes prêt à installer votre hotte.

1. Tester la hotte

Vérifiez que la hotte n'est pas endommagée ou qu'il ne manque aucune pièce. Branchez-la sur une prise de courant pour vous assurer que le ventilateur et les lumières fonctionnent. Si un élément est endommagé ou manquant, contactez le fabricant pour résoudre le problème. Ne jetez pas l'emballage avant d'être sûr d'être entièrement satisfait du produit.

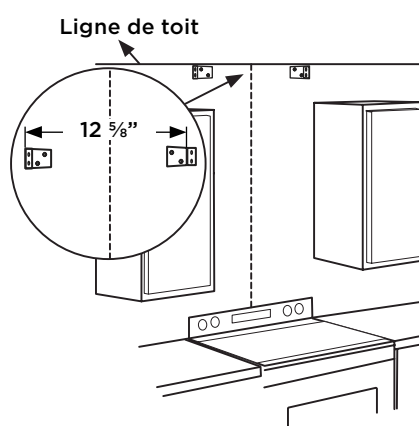
▲ IMPORTANT : Mettez la hotte sous tension et testez toutes les fonctions avant de procéder à l'installation. Si la hotte ne fonctionne pas correctement, veuillez nous contacter immédiatement (**1.800.929.0168 / info@hauslane.com**).

2. Placer le support de montage de la cheminée

Tracez une ligne verticale sur le mur à l'aide d'un crayon et d'un niveau, aussi près du plafond que possible. Puis, tracez une ligne horizontale à 24-30 po au-dessus de la surface de cuisson. Un dégagement de 30 po est requis pour les cuisinières à gaz.

Placez les deux supports de montage de la cheminée (n° 6) sur le mur, à environ 1 po du plafond ou de la limite supérieure de la zone d'installation, espacés de 12 5/8 po. Assurez-vous que les deux supports sont à égale distance de la ligne de référence verticale. Fixez chaque support à l'aide de deux vis de montage (AA). Utilisez des ancrages pour maçonnerie (BB) si vous installez sur un mur en maçonnerie.

REMARQUE : Le support doit être solidement fixé et capable de supporter le poids. Vérifiez les exigences locales en matière de construction.



3. Monter la hotte

Si vous êtes la seule personne à installer la hotte :

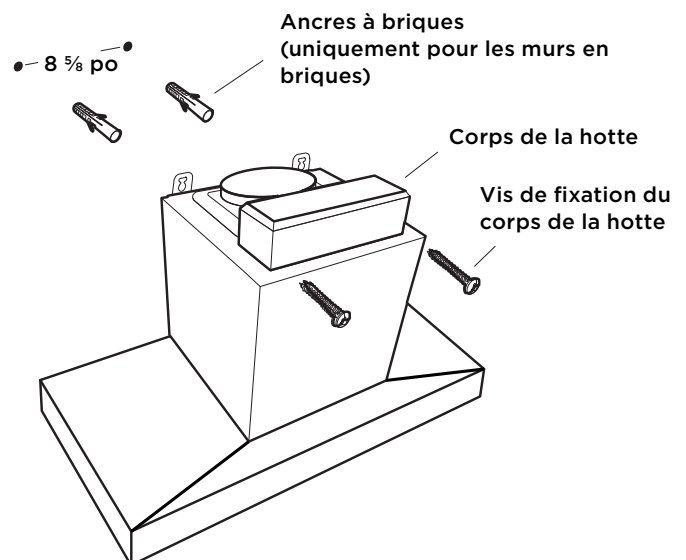
Installez les deux vis de montage de la hotte AA ainsi que les ancrages correspondants BB s'il s'agit d'un mur en briques. La distance entre les deux vis doit être de 8 5/8 po. Utilisez un niveau pour vous assurer que les deux vis sont de niveau.

Accrochez le corps de la hotte aux vis AA déjà fixées au mur et serrez fermement les vis.

Par contre, si vous avez un assistant :

Une personne doit tenir la hotte exactement à l'endroit où vous souhaitez l'installer. Pendant qu'une personne maintient la hotte fermement contre le mur, l'autre personne doit installer les vis à travers la hotte et les serrer solidement. Une distance minimale de 24 po doit être maintenue entre le dessus de la cuisinière et le dessous de la hotte.

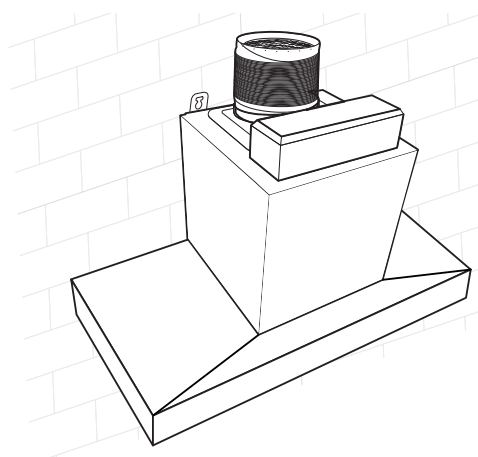
REMARQUE : Assurez-vous que le support est solidement fixé en place et capable de supporter le poids.



4. Fixer le conduit à l'adaptateur de sortie (pour le mode ventilé uniquement)

▲ ATTENTION : pour réduire le risque d'incendie, n'utilisez que des conduits métalliques.

Fixez ensuite une longueur suffisante de conduit rond flexible de 6 po (n° 7) au sommet de l'adaptateur de sortie. Raccordez l'autre extrémité du conduit flexible au conduit existant installé dans votre maison. Assurez-vous que le conduit est aussi vertical et dégagé que possible afin de garantir un débit d'air maximal. Fixez le conduit en scellant tous les joints avec le ruban d'étanchéité de l'adaptateur (n° 11) pour assurer une connexion adéquate. Ensuite, assurez-vous que les deux clapets de l'ensemble du registre fonctionnent librement.

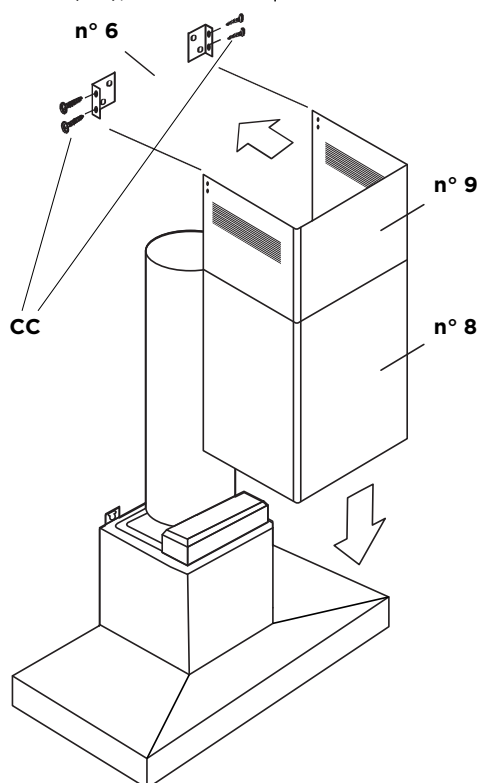


Comment installer votre hotte de cuisine

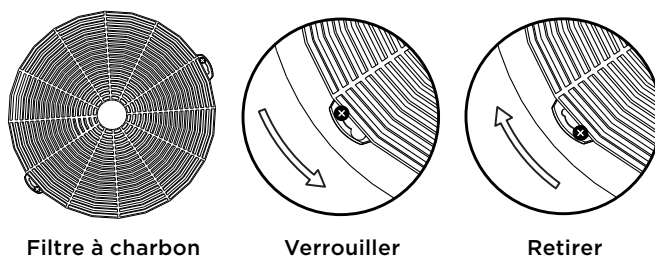
5. Assemblage de cheminée télescopique

Le dessous de la cheminée : Faites glisser avec précaution le fond de la cheminée (n°8) à l'extérieur du sommet de la cheminée (n°9) en partie. Ensuite, placez soigneusement le fond de la cheminée (n°8) dans la zone en retrait du sommet du corps de la hotte.

Le dessus de la cheminée : Assurez-vous que le support de montage de la cheminée (n°6) est bien fixé au mur. Soulevez le sommet de la cheminée (n°9) à l'intérieur du fond de la cheminée (n°8). Fixez le sommet de la cheminée (n°9) au support de montage de la cheminée (n°6) avec les quatre vis du support de montage de la cheminée (CC), deux de chaque côté.



Sur le côté droit du boîtier du moteur, vous verrez deux vis qui dépassent. Fixez les languettes de l'assemblage du filtre à charbon de bois avec les vis qui dépassent. Une fois en place, tournez le filtre à charbon dans le sens inverse des aiguilles d'une montre pour le verrouiller. Pour retirer le filtre à charbon, tournez-le dans le sens des aiguilles d'une montre.

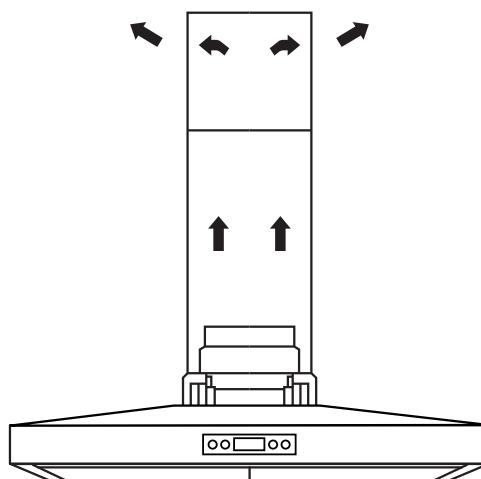


Filtre à charbon

Verrouiller

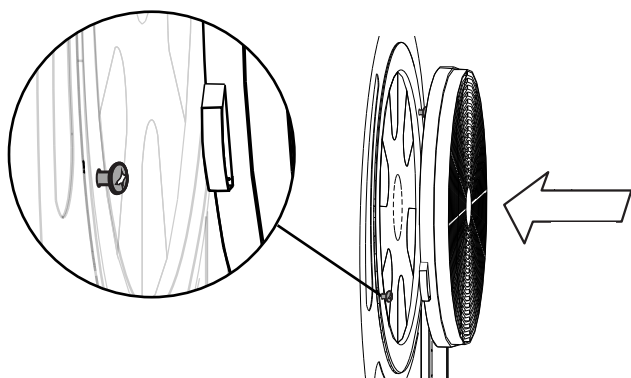
Retirer

Remarque : Les filtres à charbon de bois sont vendus séparément. Commander la référence **CFI010**. Nous recommandons de remplacer le filtre à charbon tous les deux mois ou plus fréquemment en cas d'utilisation intensive.



6. Installer un filtre à charbon (sans ventilation uniquement)

S'il n'est pas possible d'évacuer l'air vers l'extérieur, la hotte peut fonctionner en mode sans conduit. Installez l'adaptateur fourni (si applicable) et assurez-vous qu'il y a suffisamment d'espace dégagé au-dessus de l'unité pour permettre une bonne recirculation de l'air. Pour installer le filtre à charbon, retirez d'abord les filtres à chicanes.



Attention aux connexions électriques.

⚠ AVERTISSEMENT : Le câblage électrique doit être effectué conformément à tous les codes et normes applicables, normes en vigueur. Couper l'alimentation électrique à l'entrée de service avant de procéder au câblage.

⚠ AVERTISSEMENT : N'utilisez pas la prise et une rallonge autres que celles fournies initialement avec la hotte.

⚠ AVERTISSEMENT : La mise à la terre de cette hotte est obligatoire. Ne retirez pas la broche de mise à la terre de la fiche.

Comment utiliser votre hotte de cuisine

Maintenant que votre hotte est installée, il est temps d'apprendre à l'utiliser. Elle est très simple à utiliser et se commande entièrement à l'aide du panneau de contrôle frontal.

Utilisation du panneau de contrôle frontal

Le panneau de contrôle frontal simple permet d'allumer ou d'éteindre les lumières et le ventilateur.



- 1** **marche / arrêt**
Marche par défaut F1 (vitesse faible)
- 2** **Diminuer la vitesse**
- 3** **Augmenter la vitesse**
- 4** **Fonction d'arrêt différé**
Maintenir le bouton d'alimentation enfoncé pendant 3 secondes pour activer la fonction de délai. Le bouton d'alimentation clignotera pendant la durée prédéfinie de 5 minutes.
- 5** **Éclairage Marche / Arrêt**

Instructions de base pour l'entretien

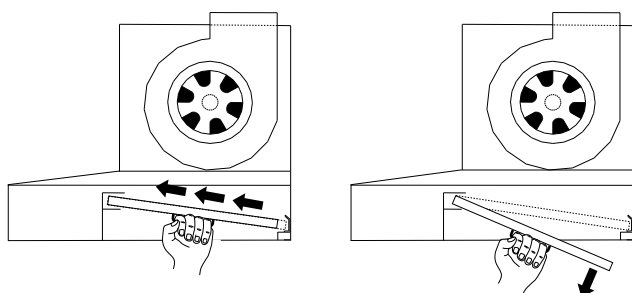
Votre hotte de cuisine a besoin d'un entretien de routine simple pour fonctionner efficacement.

Entretien des filtres à chicanes en acier inoxydable

Nettoyez les filtres à graisse fréquemment - nous vous conseillons de le faire toutes les deux semaines, ou plus fréquemment en cas d'utilisation intensive.

Retrait des filtres à chicanes

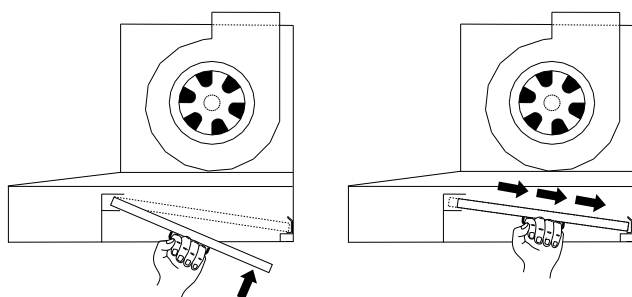
1. Saisir les poignées des filtres à chicanes.
2. Faire glisser vers le haut et incliner vers l'extérieur par le bas de la hotte.



3. Laver les filtres à chicanes en prenant soin de ne pas les plier. Alternativement, les placer dans l'eau de vaisselle.
4. Laisser sécher complètement les filtres à chicanes.

Installation des filtres à chicanes

1. Saisir le filtre à chicanes par les poignées.
2. Faire glisser le filtre à chicanes vers le haut de la hotte, puis le faire glisser vers l'arrière de la hotte au-dessus du bac à huile. S'assurer que le filtre à chicanes repose sur le bac à huile et sur le rebord du haut de la hotte.

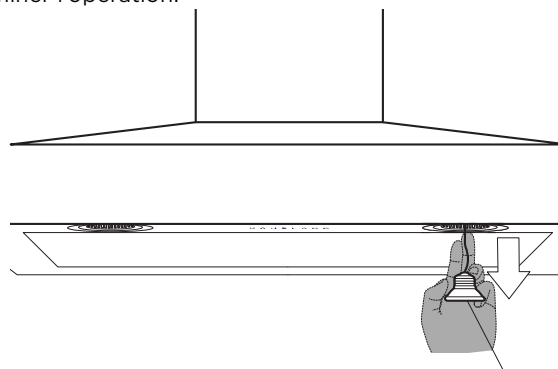


Remplacer des lampes DEL

ATTENTION : Coupez toujours l'alimentation électrique avant de remplacer les lampes.

Cette hotte nécessite deux lampes DEL (3W). Les ampoules peuvent être commandées sur www.hauslane.com pièce # **LTG019A**.

1. Coupez l'alimentation et retirez les filtres à chicanes. Retirez les filtres à chicanes.
2. Débrancher la lampe de la hotte.
3. Retirez l'ampoule de l'intérieur. Installez de nouvelles ampoules en connectant le fil et en poussant l'ampoule vers le haut. Réinstallez les filtres à chicanes pour terminer l'opération.



Point de connexion

Nettoyer du bac à graisse

Le bac à graisse est situé derrière les filtres à chicanes à l'arrière de l'appareil et doit être nettoyé fréquemment. Ne pas laisser le bac à graisse se remplir à plus de la moitié.

1. Retirer les filtres à chicanes, puis faire glisser le bac à graisse avec précaution.
2. Pour le nettoyage, utiliser simplement un détergent chaud.
3. Laisser sécher le bac à graisse avant de le réinstaller.

Nettoyer la hotte de cuisine

Cette hotte aura une belle apparence et fonctionnera correctement pendant longtemps si elle est bien entretenue. Voici quelques conseils pour l'entretien de votre hotte de cuisine.

AVERTISSEMENT : Le non-respect des normes de base en matière d'entretien et de nettoyage augmente le risque d'incendie.

À FAIRE	À NE PAS FAIRE
Nettoyez la hotte à l'aide d'un chiffon chaud et savonneux ou d'un produit de polissage pour l'acier inoxydable.	N'utilisez pas de nettoyeurs ou de chiffons corrosifs ou abrasifs. N'utilisez pas de détergents contenant des ingrédients tels que le chlorure, l'iode ou le fluorure.
Nettoyez la hotte en suivant le grain de l'acier inoxydable.	Ne laissez pas de saletés ou de résidus de savon sur la hotte. Cela pourrait endommager la surface. Lavez la surface de la hotte et rincez-la immédiatement à l'eau claire.
Après le nettoyage au savon, rincez à l'eau claire, puis essuyez avec un chiffon propre et sec.	Ne laissez pas de particules — en particulier des particules de construction (provenant du ponçage, etc.) — pénétrer dans la hotte. Couvrez la hotte pendant les travaux de rénovation.
Vérifiez régulièrement les conduits et les bouches d'aération pour vous assurer qu'ils ne sont pas obstrués.	N'utilisez pas de produits inflammables à proximité du poêle, car ils peuvent provoquer des explosions.

Conseils de dépannage

⚠ AVERTISSEMENT : Veuillez couper le circuit électrique ou le panneau de disjoncteurs avant de procéder au dépannage de cette hotte de cuisine. Le non-respect de cette consigne peut entraîner la mort ou des blessures graves.

PROBLÈME	SOLUTION
Ma hotte ne fonctionne pas.	<ol style="list-style-type: none"> 1. Assurez-vous que l'alimentation électrique et tout le câblage sont bien connectés. 2. Vérifiez à nouveau que le disjoncteur est enclenché et que l'alimentation électrique est sous tension. 3. Vérifier que les câbles du panneau de contrôle sont correctement connectés aux tableaux de distribution.
Ma hotte de cuisine vibre lorsque le ventilateur fonctionne.	<ol style="list-style-type: none"> 1. Vérifiez que la hotte est fermement fixée à l'armoire ou au mur. Serrez ou ajoutez les vis selon le besoin. 2. Confirmez que le moteur est bien en place et qu'il est fixé en toute sécurité. Si ce n'est pas le cas, resserrez-le. 3. Si ces étapes n'ont pas permis de résoudre le problème, il se peut que votre ventilateur soit endommagé. Dans ce cas, vous devrez peut-être le remplacer.
Le ventilateur fonctionne faiblement.	<ol style="list-style-type: none"> 1. Vérifiez à nouveau que la taille du conduit est correcte. 2. Nettoyez les conduits ou les filtres s'ils sont sales. Vérifiez également que l'enceinte grillagée de la hotte est correctement ventilée. 3. Si possible, vérifiez que le clapet anti-retour fonctionne correctement en ce qui concerne l'ouverture.
Le ventilateur ne fonctionne pas correctement alors que les lumières fonctionnent.	<ol style="list-style-type: none"> 1. Vérifiez que le ventilateur n'est pas bloqué et qu'il ne frotte pas sur les surfaces de la hotte. 2. Si cela ne fonctionne pas, vous devrez peut-être remplacer le moteur, car il est peut-être défectueux.
La hotte ne fonctionne pas de manière efficace.	<ol style="list-style-type: none"> 1. La distance minimale entre la zone de cuisson et l'appareil doit être de 24" (609 mm) ou de 30" (762 mm) au maximum. Vérifiez si cette distance est correcte. 2. Veillez à ce que le conduit ne soit pas susceptible de s'ouvrir facilement sous l'effet du vent. 3. Assurez-vous que la vitesse du ventilateur est appropriée. Plus la cuisson est lourde, plus la vitesse de la hotte doit être élevée. 4. En fermant les fenêtres et les portes de la pièce, le ventilateur fonctionnera mieux. 5. Comme indiqué au cours du processus d'installation, tous les conduits doivent être installés correctement. Il peut s'avérer nécessaire de réduire la longueur des conduits ou de diminuer les coudes. 6. Veillez à ce que tous les éléments de la tuyauterie soient scellés et fixés correctement.
La lumière ne fonctionne pas.	<ol style="list-style-type: none"> 1. Vérifiez si l'ampoule est desserrée et doit être resserrée. 2. Si le serrage ne résout pas le problème, remplacez l'ampoule par une neuve et voyez si cela résout le problème. 3. Si le remplacement et/ou le resserrage ne résout pas le problème, il se peut que vous deviez remplacer le système d'éclairage de la hotte.
L'écran tactile ne répond pas.	<ol style="list-style-type: none"> 1. Effectuez une réinitialisation du cycle d'alimentation en débranchant le cordon d'alimentation, en attendant 10 secondes et en rebranchant le câble d'alimentation. 2. Si l'étape 1 ne résout pas le problème, veuillez nous contacter immédiatement pour un remplacement du panneau de contrôle.

Vous rencontrez toujours des problèmes après avoir suivi ces étapes?

Contactez un technicien au **800.929.0168** ou à **info@hauslane.com** pour vous aider.



Extended Warranties / Extensions de garantie

If you are interested in an extended warranty, sign up on our website at **www.hauslane.com**

Si vous êtes intéressé par une extension de garantie, inscrivez-vous sur notre site web à l'adresse **www.hauslane.com**



Parts and Accessories / Pièces et accessoires

If you need replacement parts or accessories, visit **www.hauslane.com**

Si vous avez besoin de pièces de rechange ou d'accessoires, visitez le site **www.hauslane.com**



Contact Us / Nous contacter

We'd be happy to answer your questions or resolve any issues you may have.

Phone: **1.800.929.0168**

Email: **info@hauslane.com**

Nous serons heureux de répondre à vos questions ou de résoudre tout problème.

Téléphone : **1.800.929.0168**

Courriel : **info@hauslane.com**



Find Us and Connect with Us **@HauslaneOfficial**

Trouvez-nous et réseautez avec nous **@HauslaneOfficial**

