

# MONOGRAM 1.2 CU. FT. DRAWER MICROWAVE

ZWL1126SJSS



## SOPHISTICATED STYLING

Offers a look of modern refinement that blends beautifully with both Statement and Minimalist collections

## 1.2-CU.-FT. CAPACITY

Accommodates large plates and cookware with ease

## FLUSH INSTALLATION CAPABILITY

Enables the drawer to be installed flush with cabinetry without any additional parts

## GLASS TOUCH CONTROL WITH WHITE LED DISPLAY

Makes it easy to adjust settings and adds to the drawer's sleek, streamlined appearance

## 10 COOKING MODES, INCLUDING MELT, SOFTEN, AND KEEP WARM

Provide cooking convenience and flexibility

## 900 WATTS

Cooking power delivers rapid, even heat

## SENSOR COOKING

Automatically adjusts time and power settings for optimal results

## QUICKSTART OPTION

Allows you to add 60 seconds of cooking time with a simple touch

## CONTROL LOCK FEATURE

Prevents unwanted use for extra peace of mind

## INSTALLATION FLEXIBILITY

Allows the drawer to fit unobtrusively under a standard 24-in.-width cabinet

## EASY ACCESS OPTION

Allow you to open and close the drawer with the push of a button or by gently pulling or pushing the recessed handle



### SPECIFICATIONS

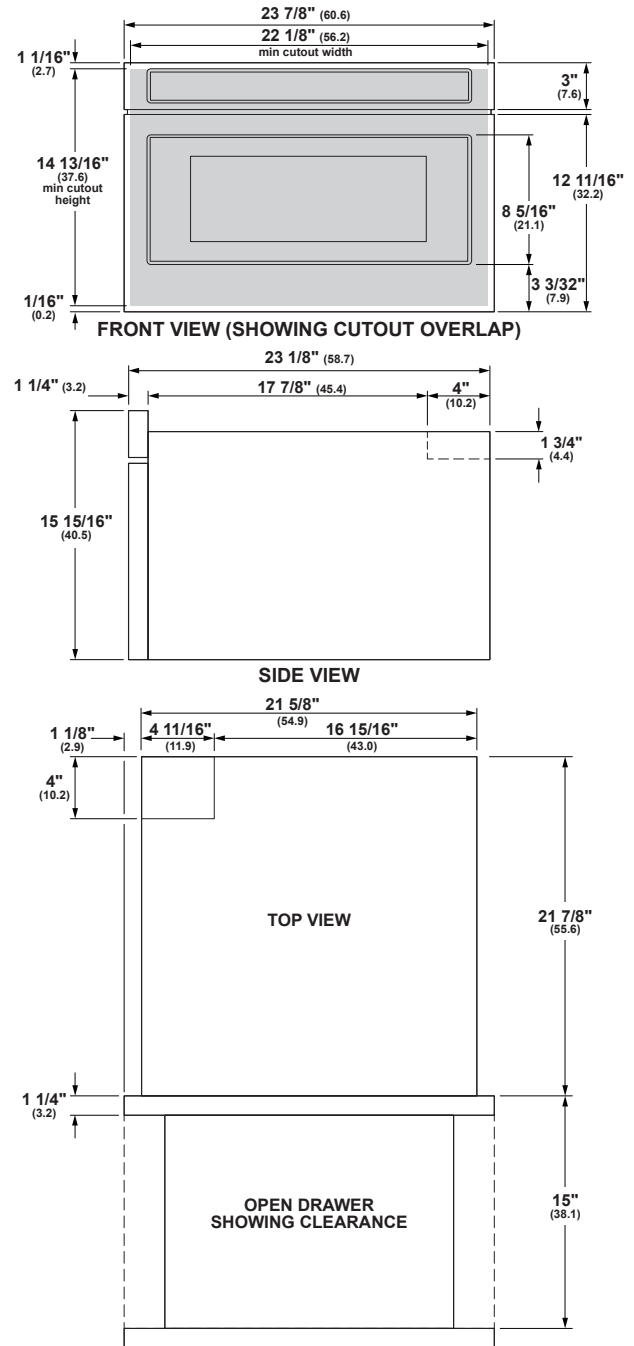
Overall Width	23 7/8" (60.6 cm)
Overall Height	15 15/16" (40.5 cm)
Overall Depth	23 1/8" (58.7 cm)
Oven Door Clearance	15" (38.1 cm) Min
Overall Oven Interior Capacity	1.2 cu. ft. (.02 cu. cm)
Oven Interior Dimensions (W x H x D)	16 1/4" x 7 1/4" x 16 1/4" (41.3 cm x 18.4 cm x 41.3cm)
Minimum Cabinet Width*	23 7/8" (60.6 cm)
Minimum Cabinet Depth*	23 1/2" (59.7 cm)
Minimum Base Support	110 lbs (49.9 kg)
Cutout Width*	22 1/8" (56.2 cm) Min
Cutout Height*	14 13/16" (37.6 cm) Min
Cutout Depth*	23 1/2" (59.7 cm) Min
Volts/Hertz/Amps	120 VAC, 60 Hz
Cord Length	47 1/4" (119.4 cm)
Electrical Rating	1.67 kw@120v
Total Amps	15
Shipping Weight	90 lbs (39.4 kg)

\*Additional space will be needed for flush installation.

### ATTENTION ELECTRICIAN:

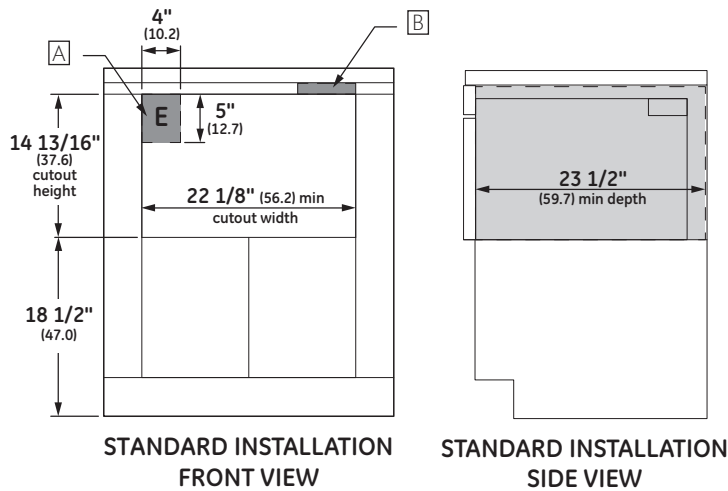
A 120VAC, 60Hz, 20 Amp circuit is required. An individual properly grounded branch circuit or circuit breaker is required. Hard wired junction box is required for built-in product.

### OVERALL DIMENSIONS



Dimensions in parentheses are in centimeters unless otherwise noted. Actual product dimensions may vary due to manufacturing tolerances.

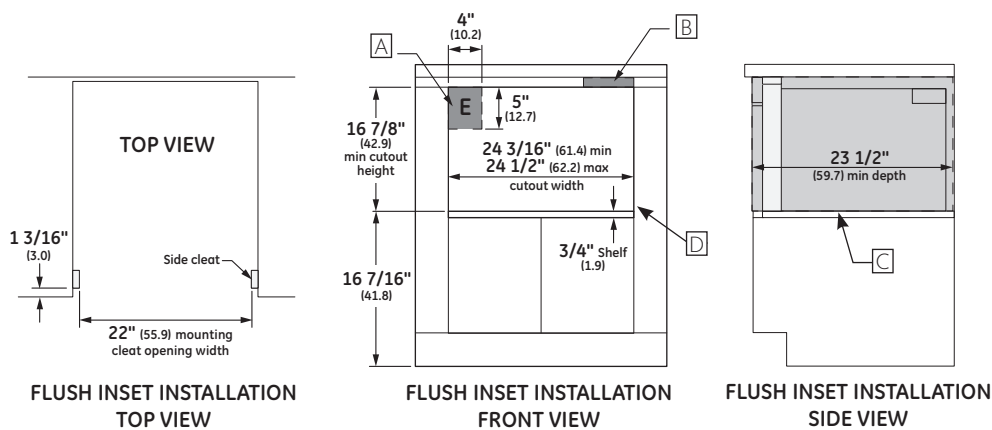
## STANDARD INSTALLATION



## HELPFUL TIPS

- A** Junction box location (May also be located in adjacent cabinet.)
- B** To reduce the risk of tipping of the drawer, the Anti-Tip block must be properly installed located 14-13/16" above the floor on which the Microwave Drawer will sit. The Anti-Tip block must be provided and pre-installed by the purchaser of the product or builder before install can be done. The Anti-Tip block prevents serious injury that might result from spilled hot liquids.
- C** Cleats may be visible and should be finished to match cabinetry.
- D** The face of the shelf must sit 1-7/8" back from the face of the cabinet. See installation instructions for further details including the installation of 24" flush mount deflector vent.

## FLUSH INSTALLATION



For more details, refer to the installation instructions for this product on Monogram.com. Dimensions in parentheses are in centimeters unless otherwise noted.