

# QUICK SETUP GUIDE

24" LED TV  
DX-24E310NA15

## Thank you

for purchasing this state-of-the-art Dynex television. We hope you enjoy the quality and reliability of this television for years to come.

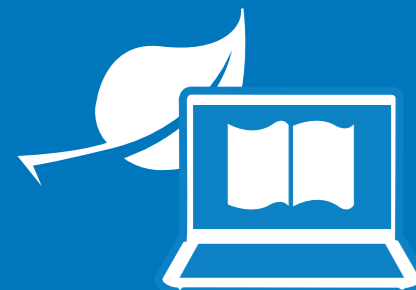


DYNEX

## FIND YOUR USER GUIDE ONLINE!

We are going green so a copy of your User Guide is not provided in the box but is available online.

Go to [www.dynexproducts.com](http://www.dynexproducts.com), click **Support & Service**, enter your model number in the box under **Manual, Firmware, Drivers & Product Information**, then click **Search**.

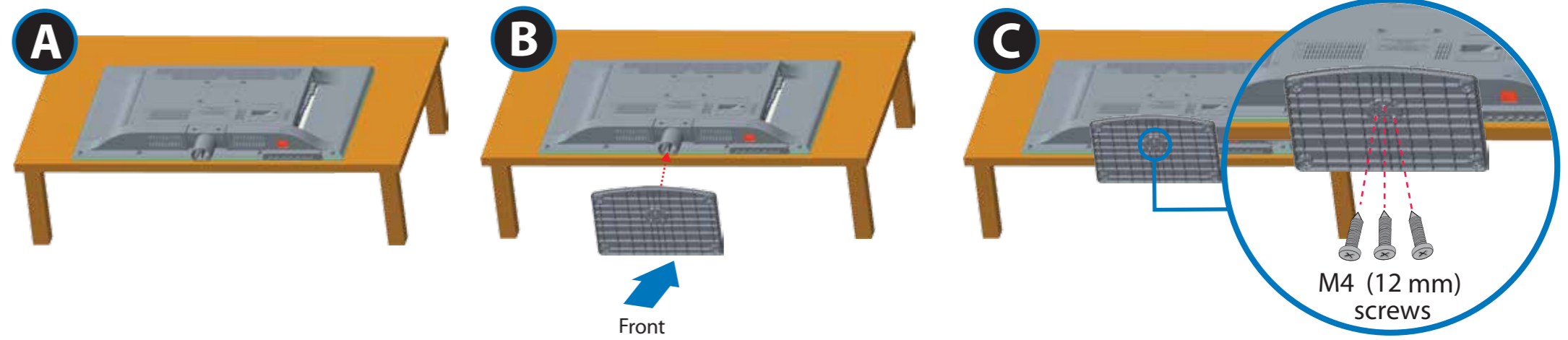


## 1 START HERE

### How do I attach the stand to my TV? (not for wall mounting)

**You'll need:** Phillips screwdriver and a soft surface to lay the TV on.

- A** Carefully place your TV face-down on a cushioned, clean surface.
- B** Find the front of the TV stand. Hook the tab on the stand column through the slot on the stand, then push the stand into place.
- C** Secure the TV stand to the stand column with the provided M4 (12 mm) screw.



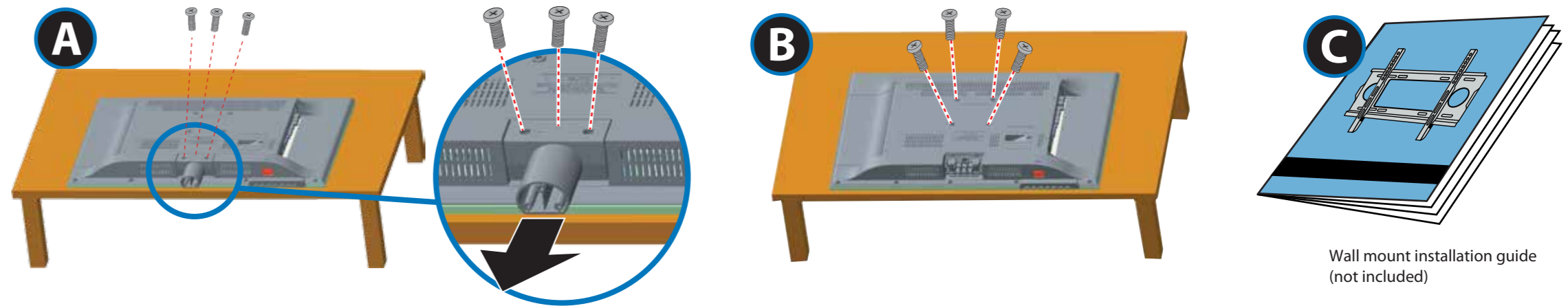
- OR -

### How do I prepare my TV for wall mounting (not for use with a TV stand)

- A** Lay the TV down on a soft surface, then remove the three screws and the stand column.
- B** Attach the wall-mount bracket to your TV using either the four provided M4 x 8 mm or the M4 x 28 mm screws that came with the TV.

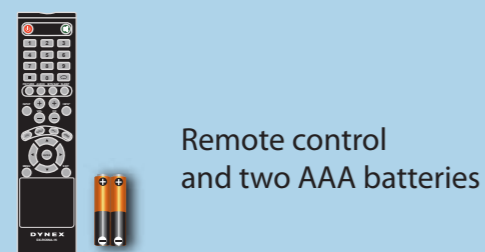
**WARNING:** Do **NOT** use the screws that came with the wall mount because they may be too long. If your wall mount uses spacers, use the M4 x 28 mm screws. If your wall mount does not use spacers, use the M4 x 8 mm screws.

- C** See the instructions that came with the wall-mount bracket for information about how to correctly hang your TV.



**STOP!**  
Do not plug your power cord in until all other devices have been connected.

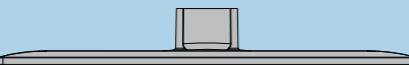
### Included accessories



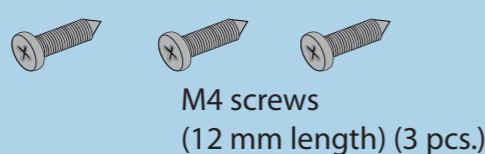
Remote control and two AAA batteries



Power Cord

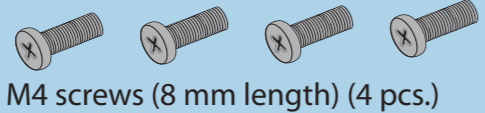


TV stand



M4 screws (12 mm length) (3 pcs.)

### Wall mounting hardware



M4 screws (8 mm length) (4 pcs.)



M4 screws (28 mm length) (4 pcs.)

Use these screws for wall-mounting. Do NOT use the screws that came with the wall mount because they may be too long.

### Which cables do you have?

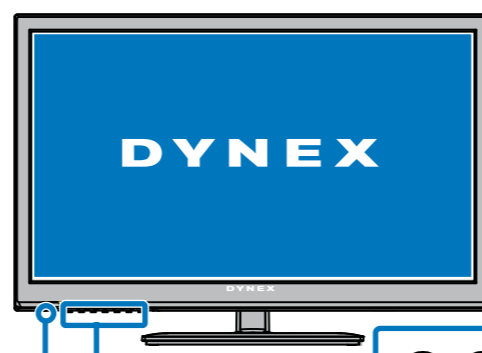
Your TV has several different jacks for connecting devices. For the best video quality, use the best available connection.

VIDEO QUALITY	JACK TYPE	CABLE CONNECTOR
<b>BEST</b>	HDMI video/audio	
<b>GOOD</b>	Composite video and analog audio (AV)	
<b>GOOD</b>	Coaxial video/audio	

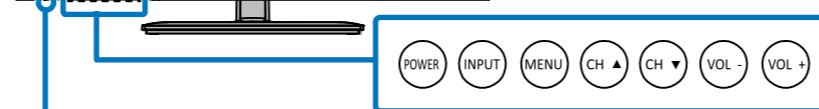
**Note:** You can also connect a DVI device to your TV. See your online User Guide for connection instructions. This TV only supports DVI video.

### Features

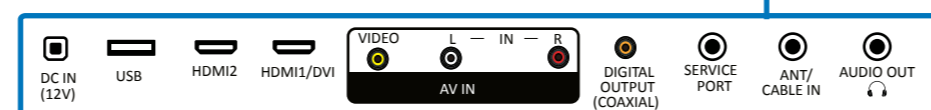
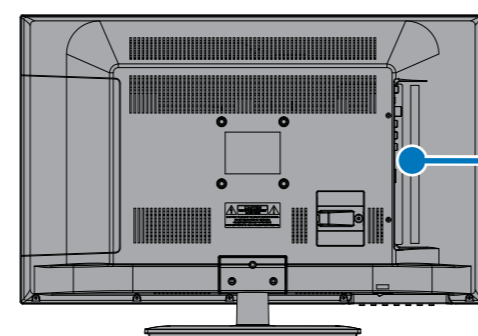
Front view



Back view



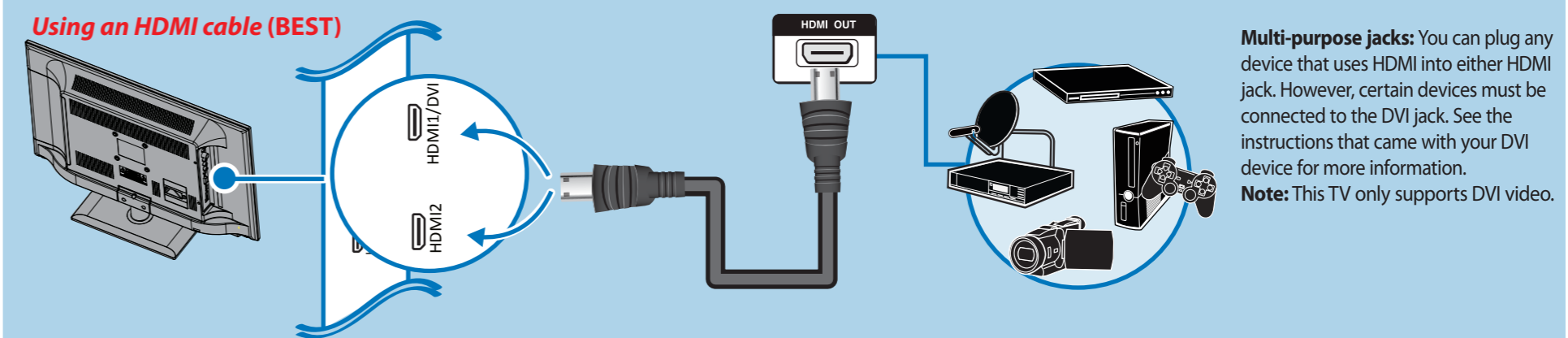
Remote control sensor  
Power indicator



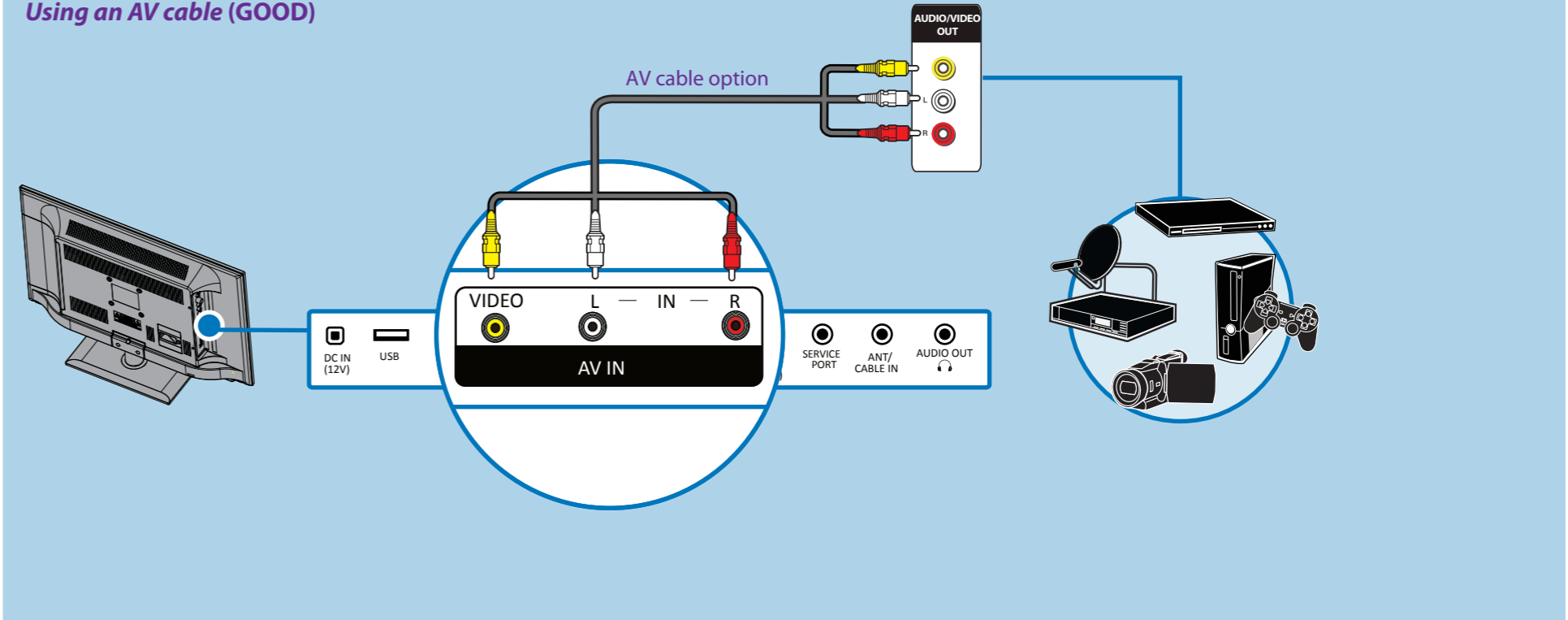
**Note:** Images do not necessarily represent the exact design of your television.

## 2 MAKING CONNECTIONS

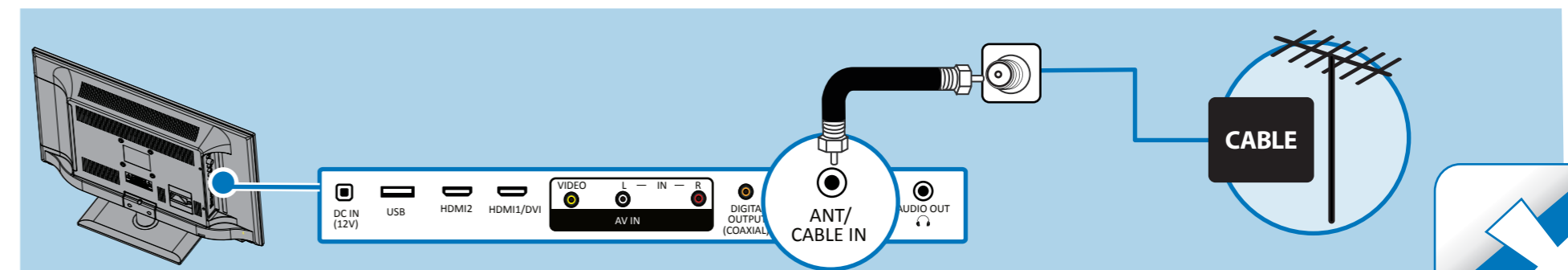
### How do I watch TV (cable or satellite box) and/or connect a device such as a DVD or Blu-ray disc player, game station, or camcorder?



### Using an AV cable (GOOD)



### How do I connect my TV to an antenna or cable wall jack?



OVER

### 3 CONNECTING AUDIO DEVICES

#### How do I connect my TV to external speakers?

**Using digital audio**

**Using analog audio**

**Note:** Refer to the instructions that came with your speakers for more information.

**Note:** Refer to the instructions that came with your speakers for more information.

#### Using your remote control

**INPUT SOURCE**

- TV
- AV
- HDMI1
- HDMI2
- USB(Photos)

**What are my screen-size options?**

- NORMAL:** Original aspect ratio is preserved. Black bars are present if content is not wide-screen (16:9).
- ZOOM:** Expands the image to fill the screen. The top and bottom of the image may be cropped.
- WIDE:** Displays content recorded in a 16:9 (wide-screen) aspect ratio.
- CINEMA:** Stretches the image at the edges, but keeps a clear image in the center.
- AUTO:** Automatically adjusts the image based on the screen size and the TV program. Select this option if you are uncertain which aspect ratio to choose. **Note: Auto** is only available when **Auto Zoom** in the **Channels** menu is set to **On**.

- Power:** Turns your TV on or off.
- MUTE:** Mutes the sound.
- Numbers:** Enter channel numbers.
- RECALL:** Returns to the previous channel.
- SLEEP:** Sets the sleep timer.
- MTS/SAP:** **Analog TV:** Cycles through mono, stereo, and secondary audio. **Digital TV:** Selects the audio language from the current channel.
- INFO\*:** Opens a TV status banner.
- Channel:** Changes the TV channels.
- HOME:** Opens the on-screen menu.
- FAV:** Opens the Favorite Channel List.
- EXIT:** Closes the on-screen menu.
- Arrows:** Navigate in on-screen menus.
- ENTER:** Confirms selections or changes.
- MENU:** Opens the on-screen menu.
- ASPECT:** Changes how the picture is displayed on the screen.
- CCD:** Turns closed captioning on or off.
- Volume:** Changes the volume.
- INPUT:** Opens the **INPUT SOURCE** list.
- AUDIO:** Selects the audio mode.
- PICTURE:** Selects the video mode.
- Picture number (e.g., 4.1):** Enters a digital sub-channel number (for example 4.1).

### 4 TURNING ON MY TV

#### When can I turn on my TV?

The best time to turn on your TV is after you have connected all devices.

#### When your television is in place:

- 1 Plug one end of the power cord into the DC IN connector on the back of your TV and the other end into a power outlet.
- 2 Remove the remote control cover and install the batteries, matching the + and - symbols.
- 3 Press (power) on your remote control.
- 4 Follow the on-screen instructions.

#### I already have a universal remote control. How do I make it control this TV?

If you already have a universal remote control that you would like to program to work with your TV and don't want to use the included Dynex remote control, see the table for common codes.

UNIVERSAL REMOTE TV CODES	
CABLE BOX, SATELLITE BOX, OR OTHER SET-TOP BOX	
<b>Cablevision</b>	068, 069, 078, 096, 100, 164, 168, 229, 026
<b>Charter</b>	2002, 1204, 1423, 1517, 0171, 1963, 0463, 1463, 0842, 1326, 167, 415, 424, 450, 456, 461, 507, 523, 567, 577, 586
<b>Comcast</b>	10171, 11204, 11326, 11463, 11517, 11641, 11780, 11785, 11892, 11963, 12002
<b>Cox</b>	1326, 1463
<b>Direct TV</b>	10171, 11204, 11326, 11517, 11564, 11641, 11963, 12002
<b>Dish Network</b>	720
<b>Time Warner</b>	400, 450, 461, 456, 10463, 1463, 0463
<b>Tivo</b>	0091
<b>Verizon</b>	0198, 0490
UNIVERSAL REMOTE CONTROLS	
<b>One for All</b>	0054
<b>Philips</b>	0198, 0490
<b>RCA</b>	135
<b>Sony</b>	068, 069, 078, 096



For an up-to-date list of codes for other cable providers and universal remote brands, scan this QR code or visit [www.dynexproducts.com/remotecodes](http://www.dynexproducts.com/remotecodes).

**One-year limited warranty**  
Visit [www.dynexproducts.com](http://www.dynexproducts.com) for details.

**Need additional help?**  
See your online *User Guide!* This comprehensive guide includes everything from basic how-to steps to more advanced features. A copy of your *User Guide* is not provided in the box but is available online. Go to [www.dynexproducts.com](http://www.dynexproducts.com), click **Support & Service**, enter your model number in the box under **Manual, Firmware, Drivers & Product Information**, then click **Search**.

**We're here for you**  
[www.dynexproducts.com](http://www.dynexproducts.com)  
For customer service, call: **800-305-2204**  
(U.S./Canada markets)

DYNE X is a registered trademark of BBY Solutions, Inc. Registered in some countries. Distributed by Best Buy Purchasing, LLC, 7601 Penn Ave South, Richfield, MN 55423 U.S.A.

©2014 BBY Solutions, Inc. All Rights Reserved  
1-800-305-2204  
[www.dynexproducts.com](http://www.dynexproducts.com)  
Made in China.