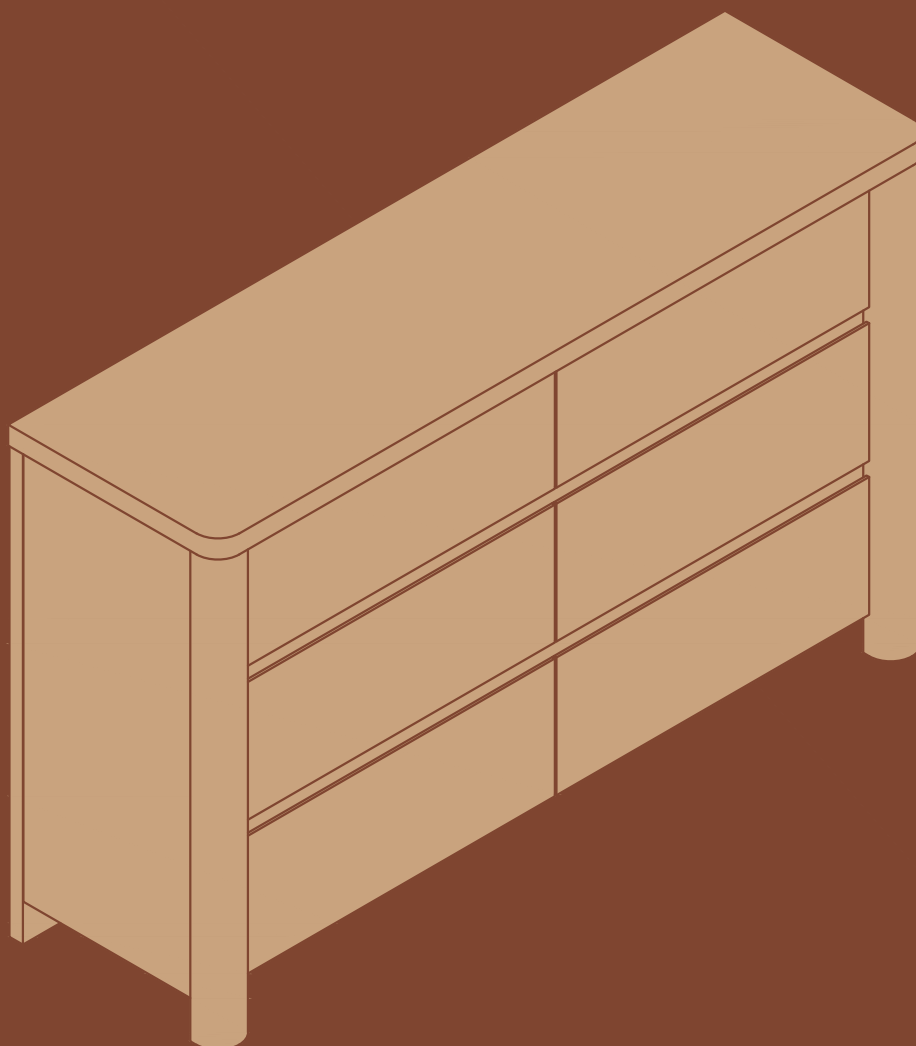


ASSEMBLY INSTRUCTION



Dresser

CATALOGUE

Precautions	01
Parts List	02
Hardware List	03
Tool List	04
Assembling Process	05-34

INTRODUCTION

Thank you for purchasing our products. Please read the instructions carefully before installation and keep it in a safe place for future reference. If you need any assistance or support, please feel free to contact our customer support team.

PRECAUTIONS

This package contains numerous components and hardware pieces. Please identify and verify all parts against the parts list before you begin assembly.

WARNING: Choking Hazard. This product contains small items. Keep all parts and hardware out of the reach of children during assembly.

To prevent scratches, assemble the product on a soft, non-abrasive surface such as a carpet, blanket, or the flattened cardboard packaging.

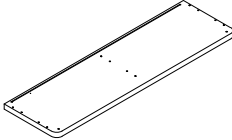
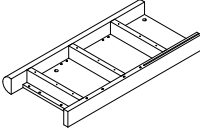
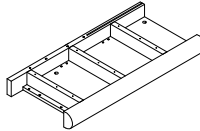
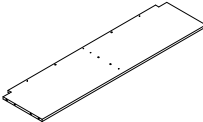
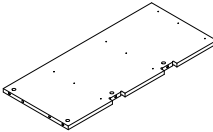
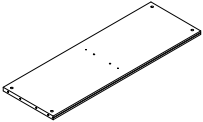
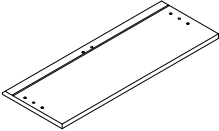
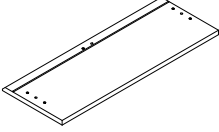
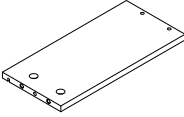
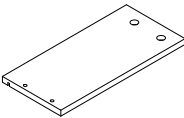
Some components are heavy. For safety, we recommend this product be assembled by two adults.

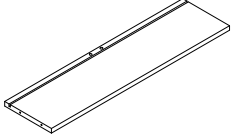
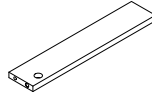
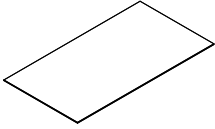
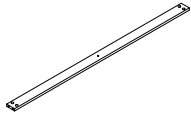
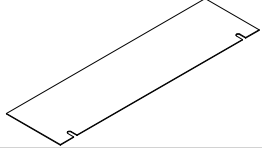
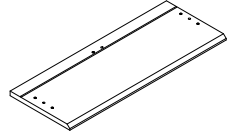
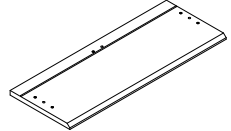
The unit may be unstable until assembly is fully complete. Do not move the product until all steps are finished.

If you encounter any issues or have questions, please contact our customer service team for assistance.


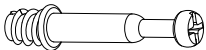



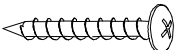


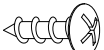
- * **Please be sure to follow the installation steps in the manual to avoid unnecessary losses caused by improper installation.**
- * **If you need further assistance, please contact the customer service online.**

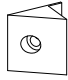



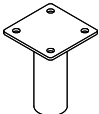
Parts List

ID	Parts	QTY
1		1
2		1
3		1
4		1
5		1
6		1
7		1
8		1
9		6
10		6

ID	Parts	QTY
11		6
12		6
13		6
14		2
15		1
16		2
17		2

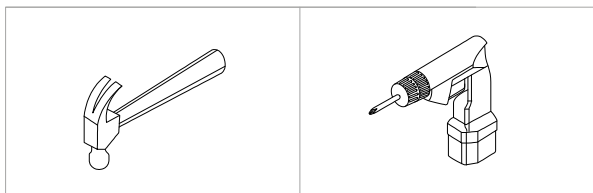
Hardware List

ID	Parts	QTY
A		54+2
B		54+2
C	 Ø6*30mm	24+2
D	 Ø8*30mm	24+2
E	 Ø8*Ø4*30mm	30+2
F	 Ø9*Ø4.2*50mm	7+1
G		2
H		2
I	 Ø9*Ø4*13mm	6+1
J	 Ø9*Ø4*35mm	2

ID	Parts	QTY
K		8+1
L	 Ø5.8*Ø3*16mm	8+1
M	 Ø7*Ø3.5*12mm	72+2
N		6
O		1

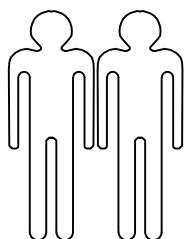
Tool List

Required Tools (Not Included)

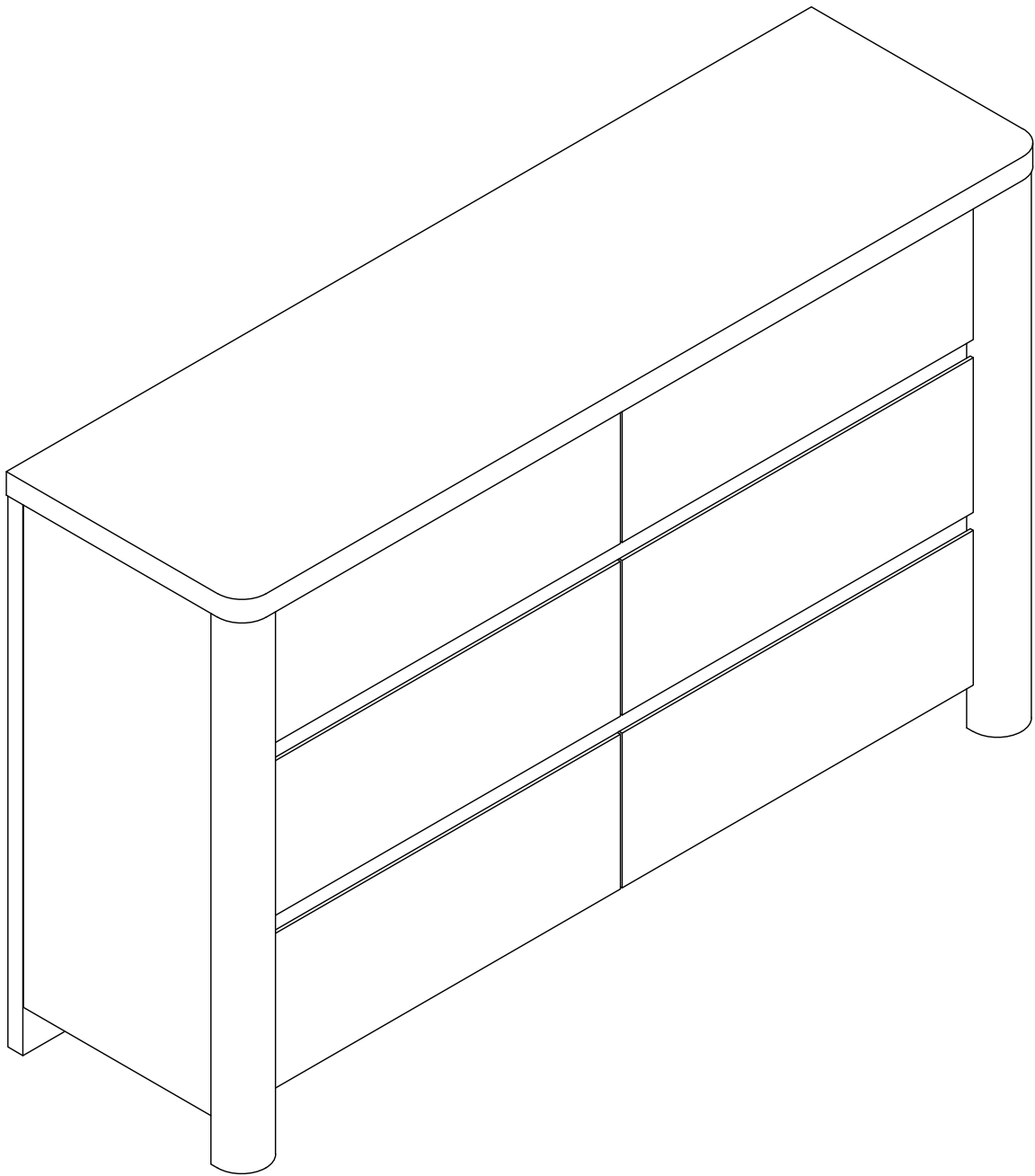


Wall mounting only

These tools are not required for product assembly.



Multi-person installation

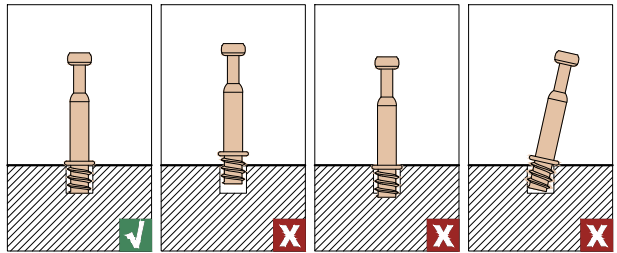
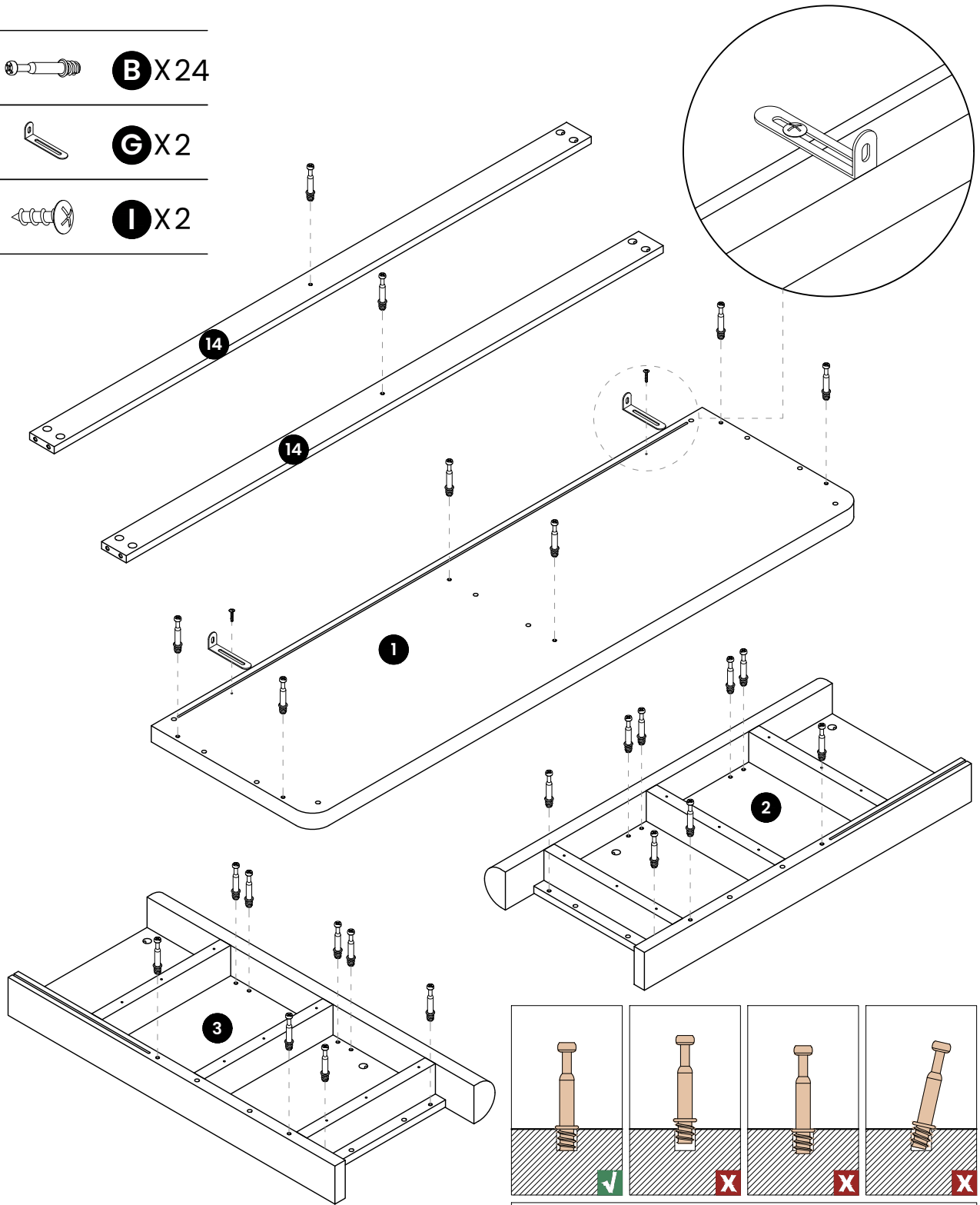



STEP 1

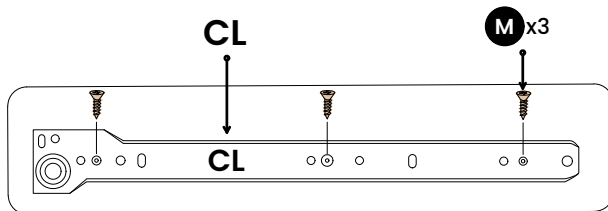
 **B** X24

 **G** X2

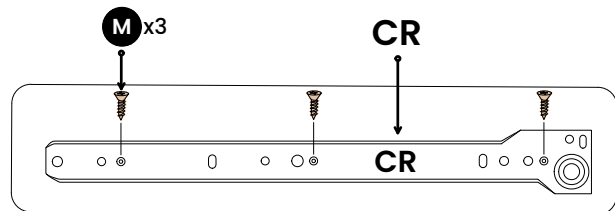
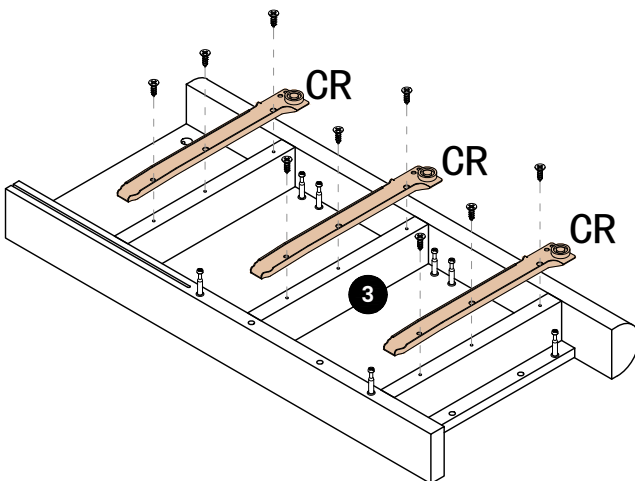
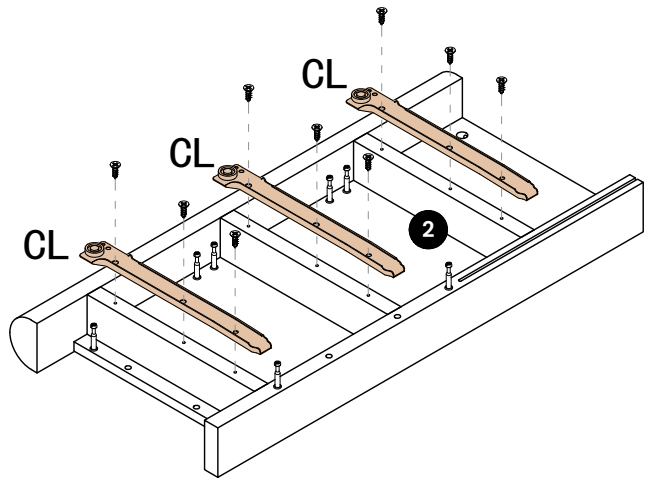
 **I** X2



 Install the screw correctly to secure the screw.

STEP 2**M** X18**N** X3

Pay attention to the position of the screws

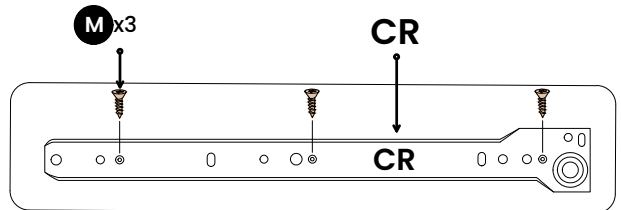
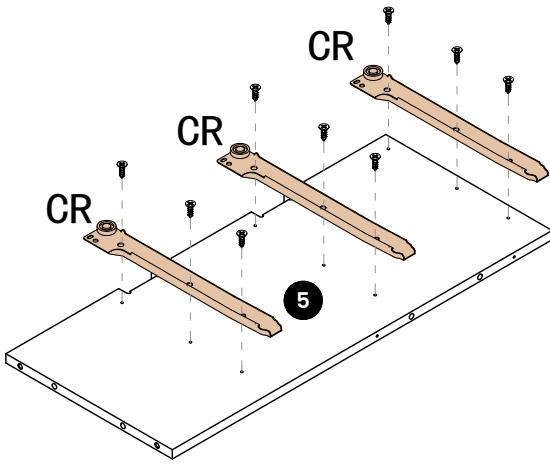


Pay attention to the position of the screws

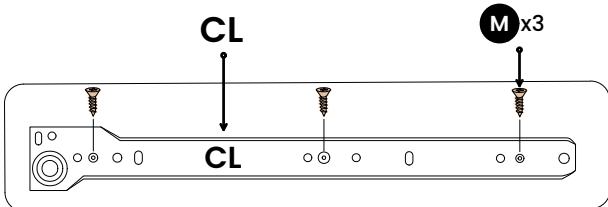
STEP 3

 **M**X18

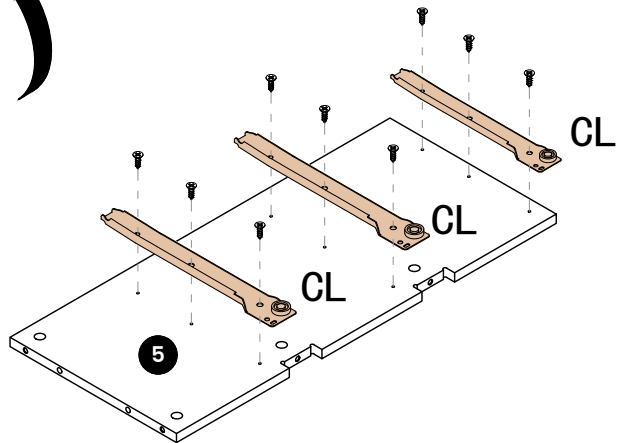
 **N**X3



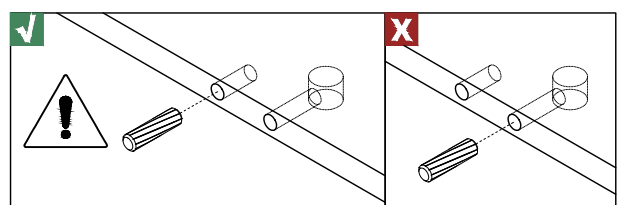
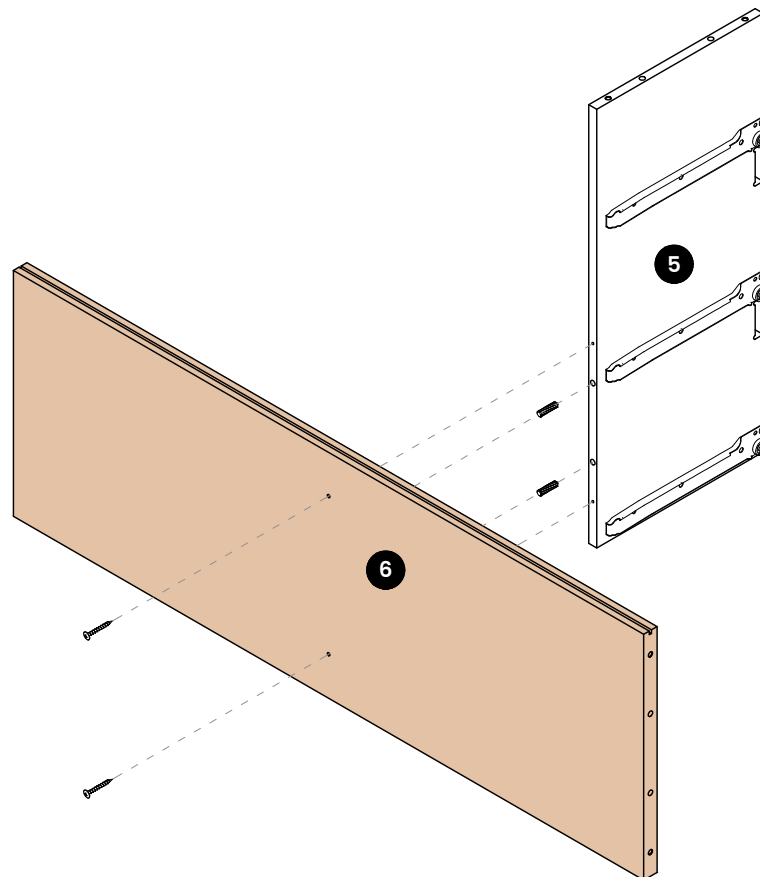
Pay attention to the position of the screws !



Pay attention to the position of the screws !



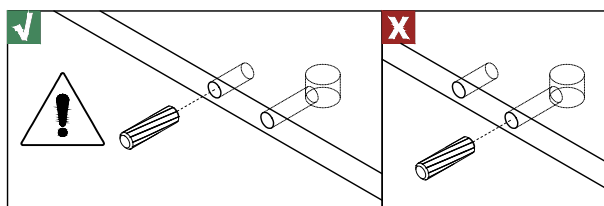
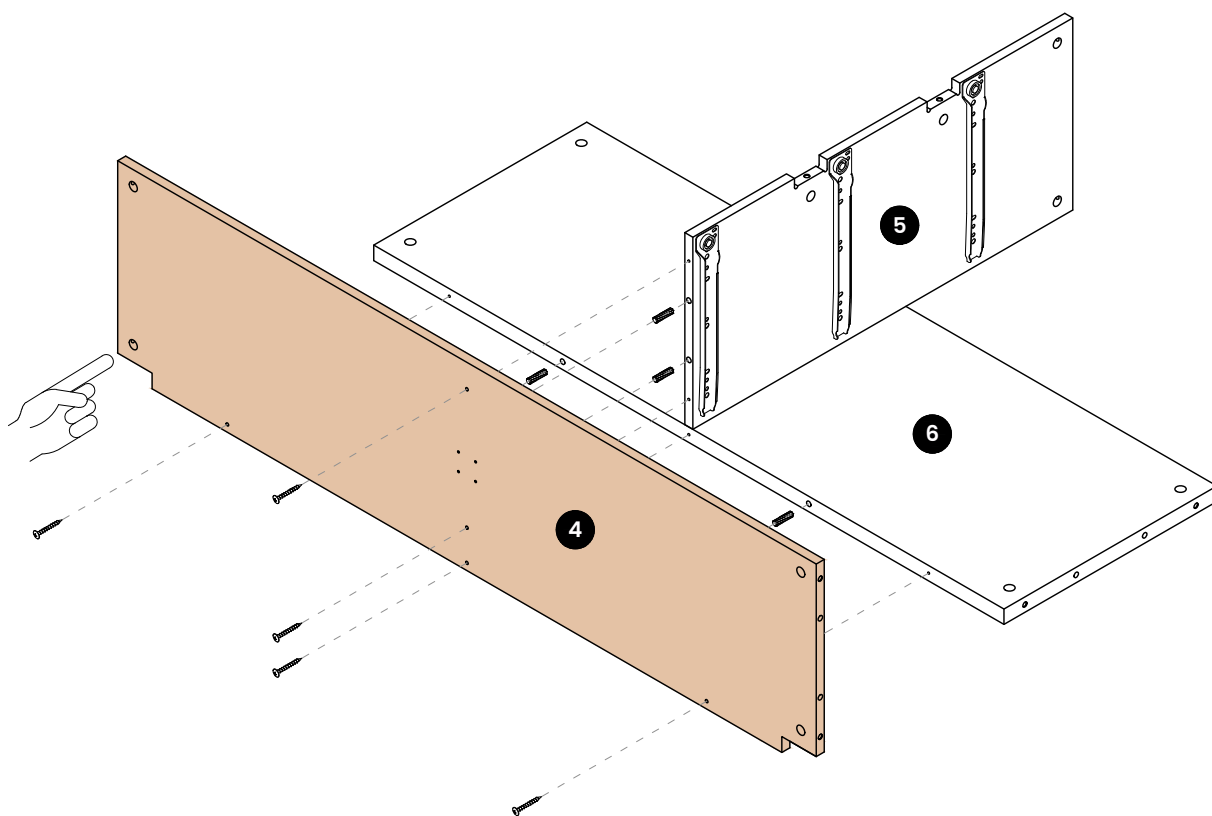
STEP 4

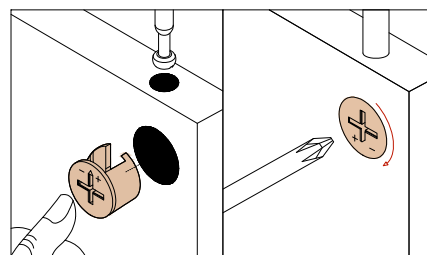
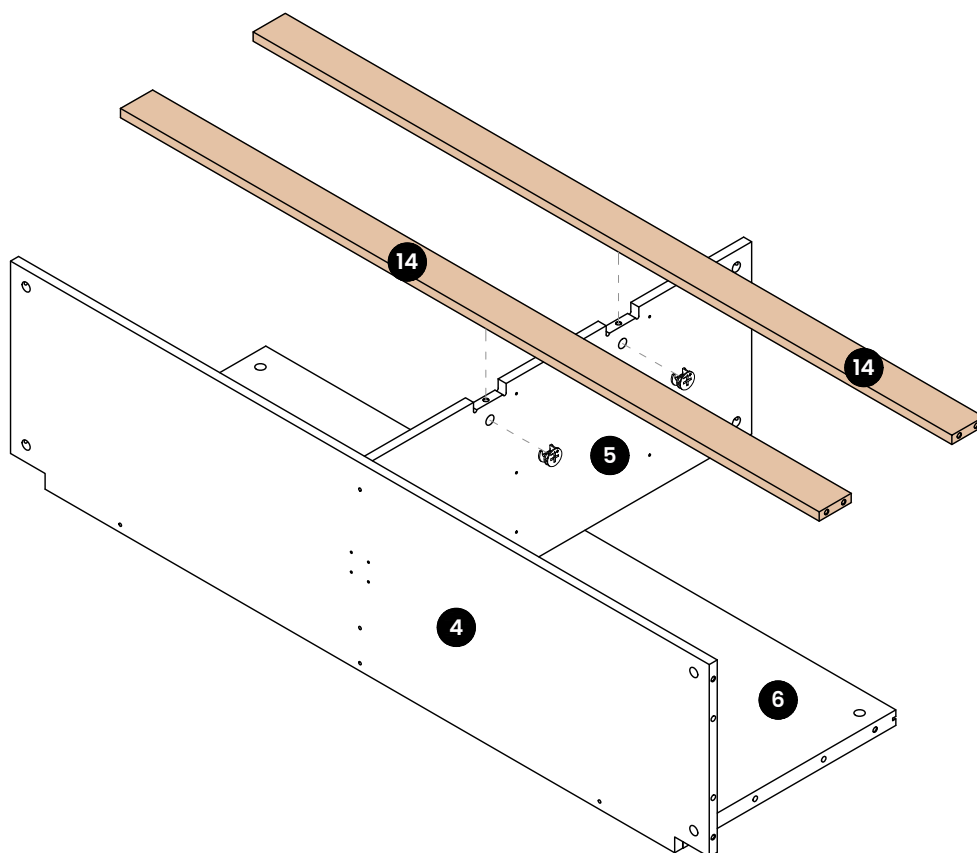


STEP 5

 **D** X4

 **F** X5



STEP 6**A** X2

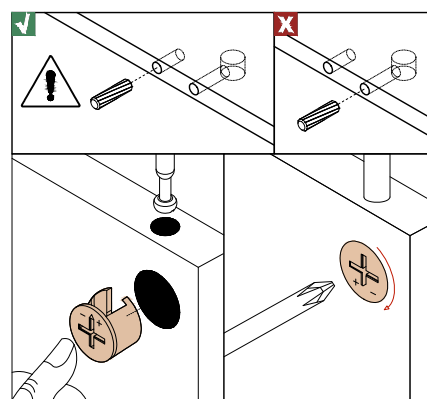
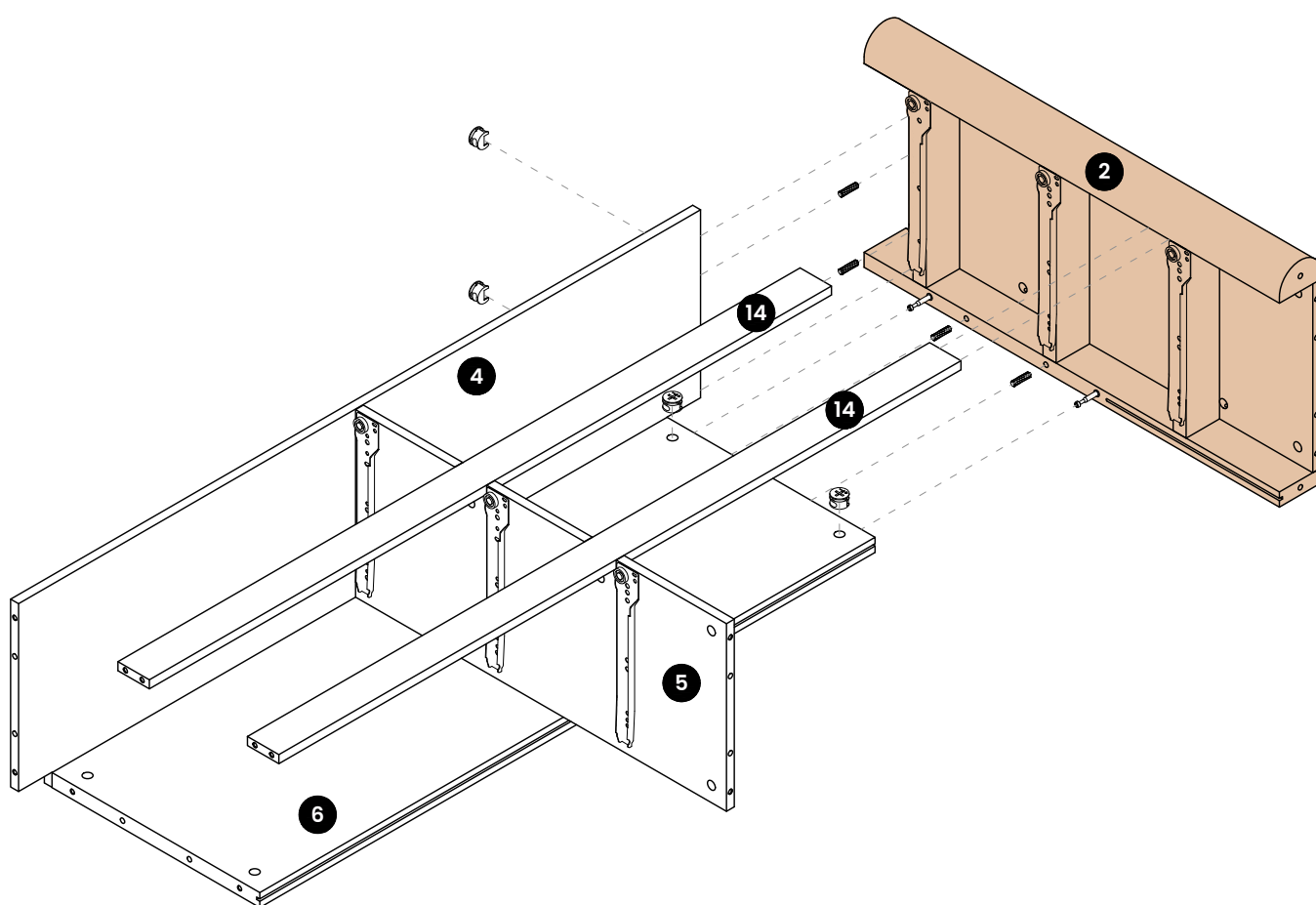
STEP 7



A X4



D X4



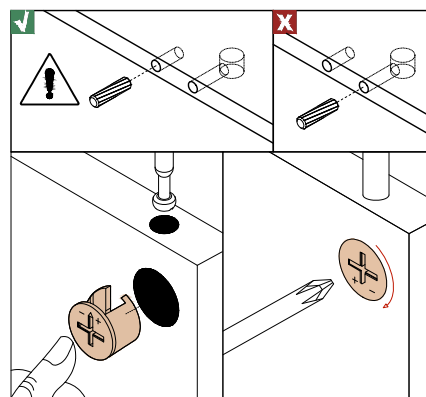
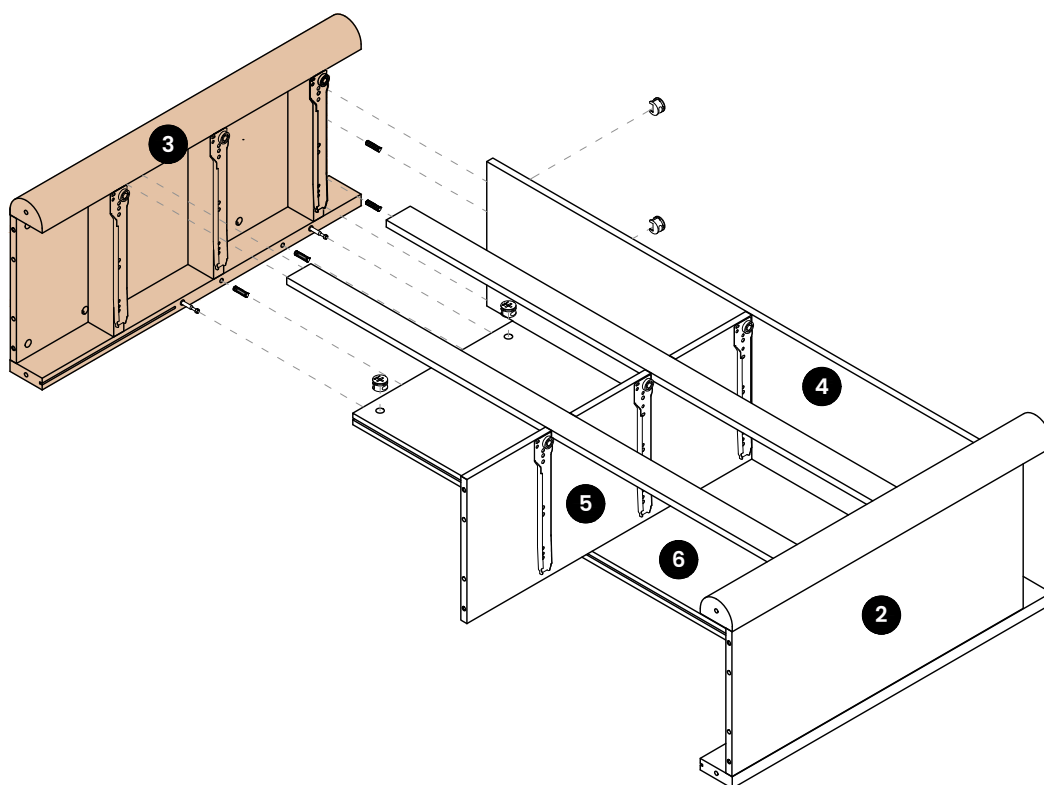
STEP 8



A X4



D X4



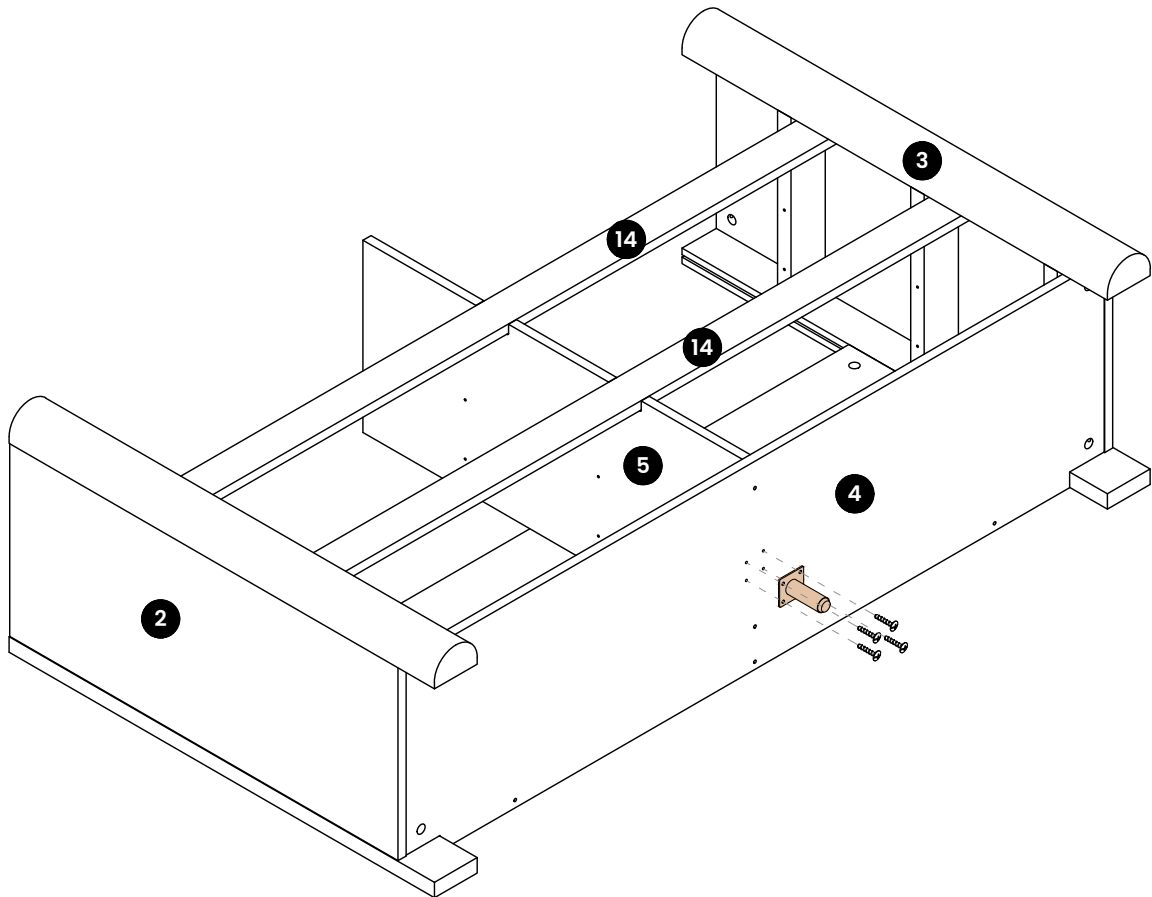
STEP 9



I X4



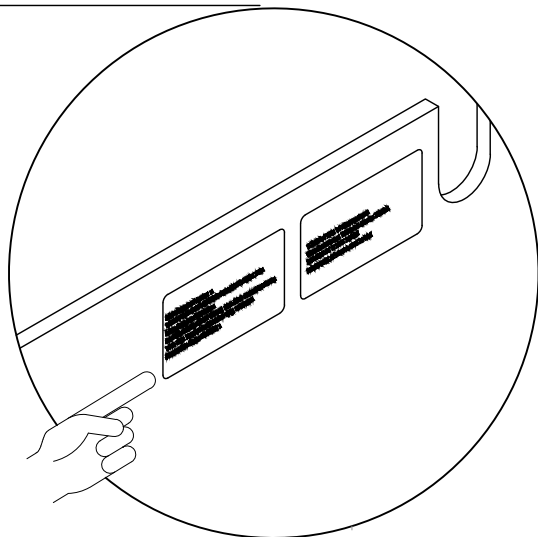
O X1



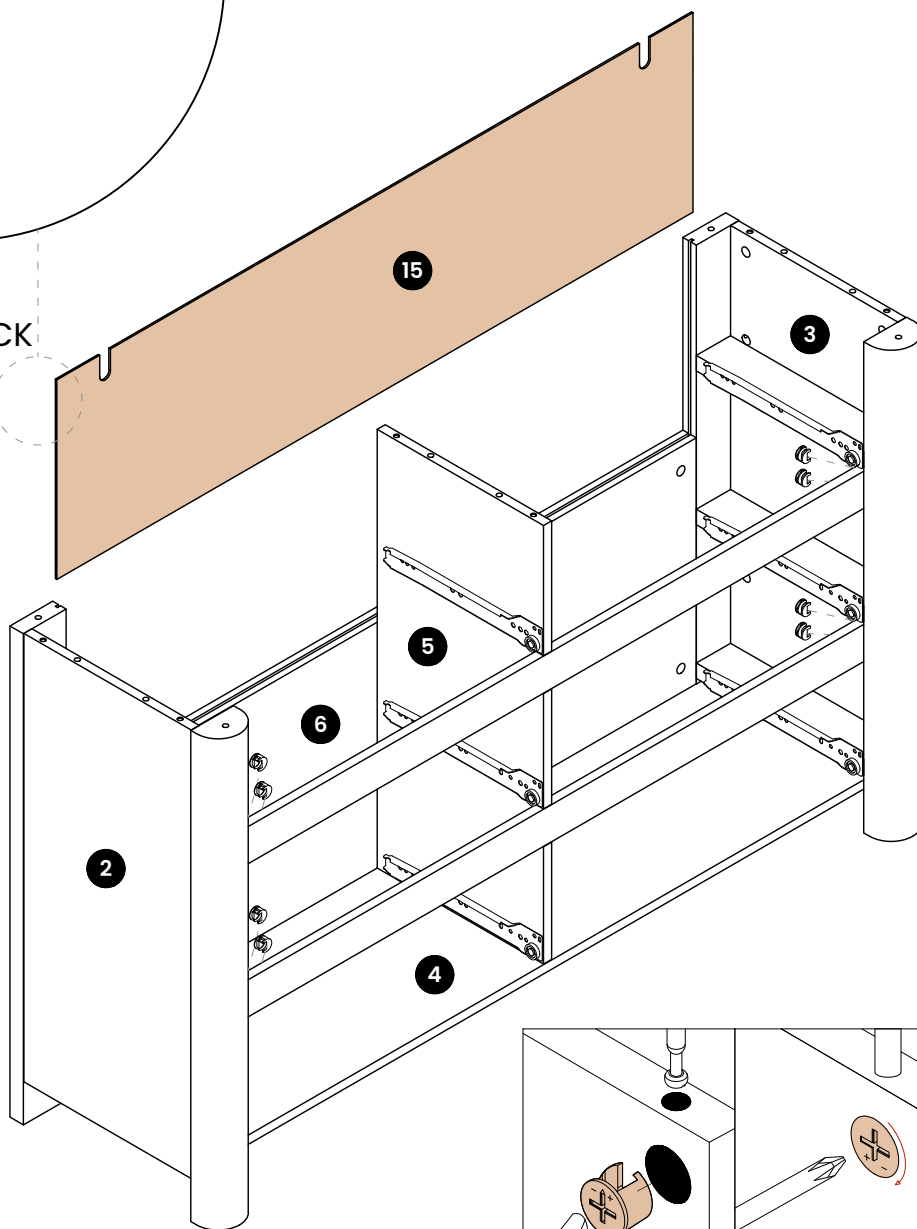
STEP 10



A X8



BACK



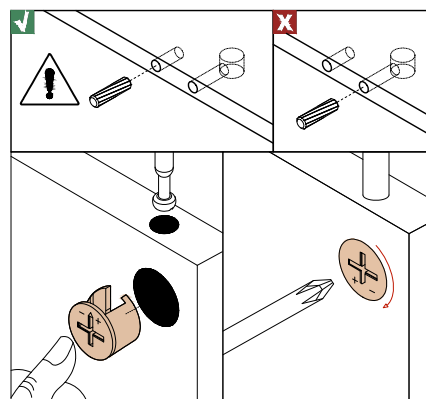
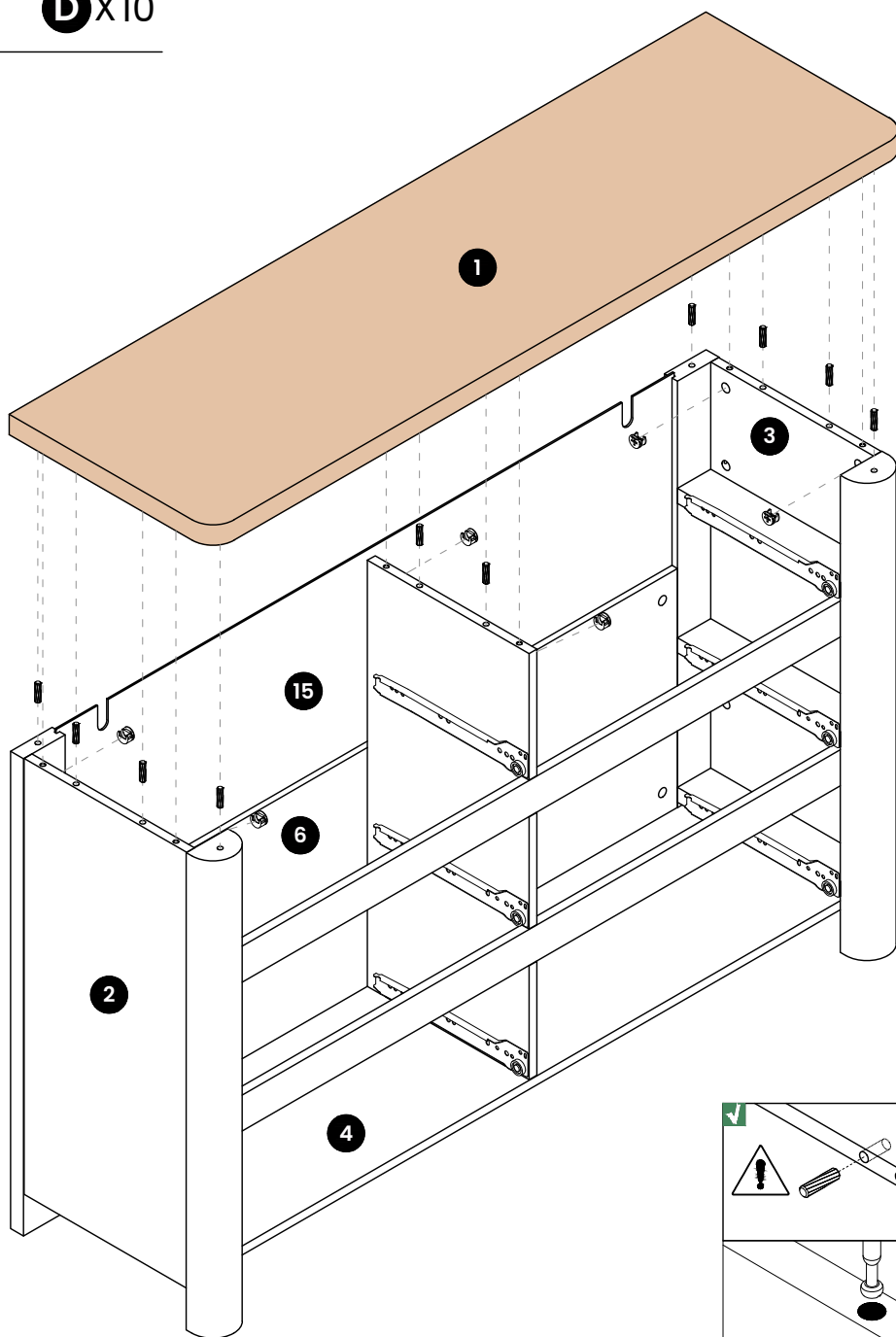
STEP 11

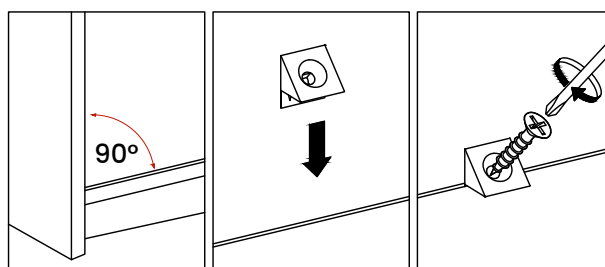
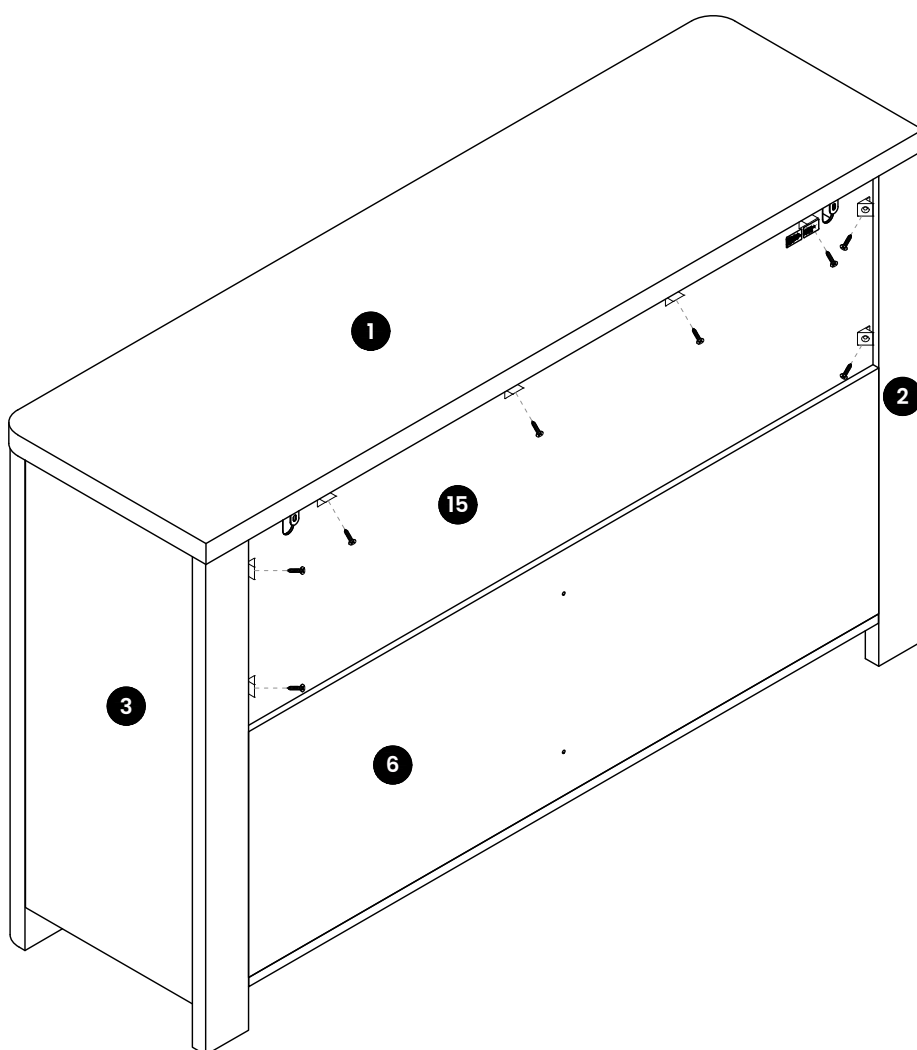


A X6



D X10



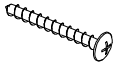
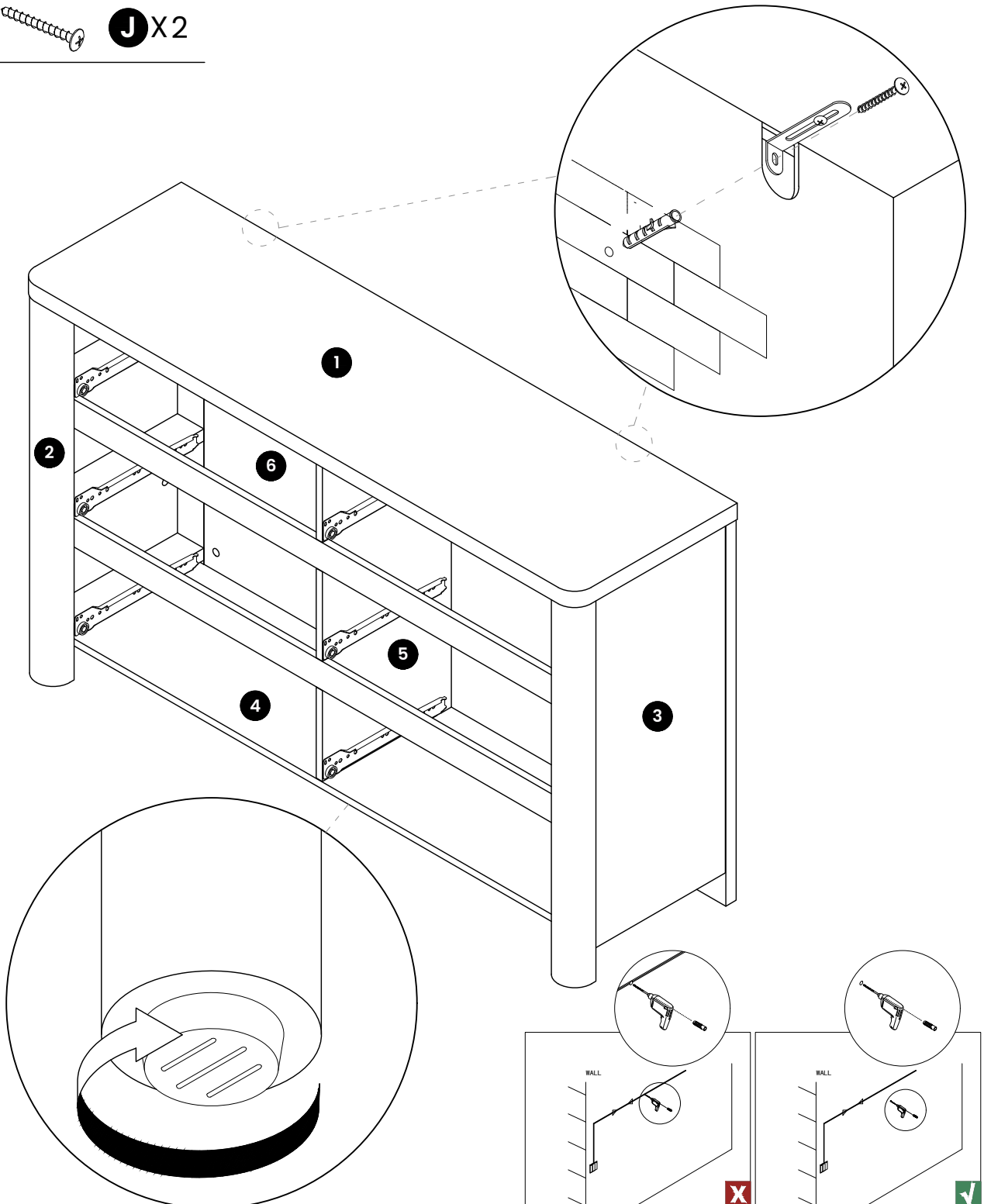
STEP 12**K** X8**L** X8

STEP 13**Wall-Mounted Installation**

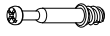
Step 1: Identify the correct location for the anti-tipping device on the wall and make a clear mark.

Step 2: Drill a hole, then fix the expansion plug firmly in the wall.

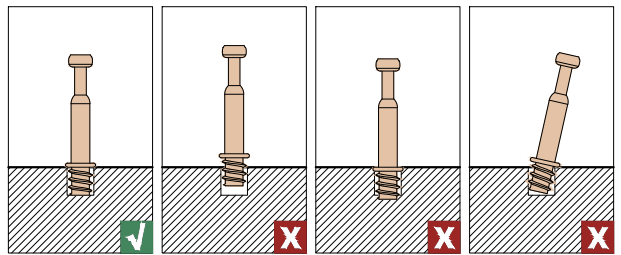
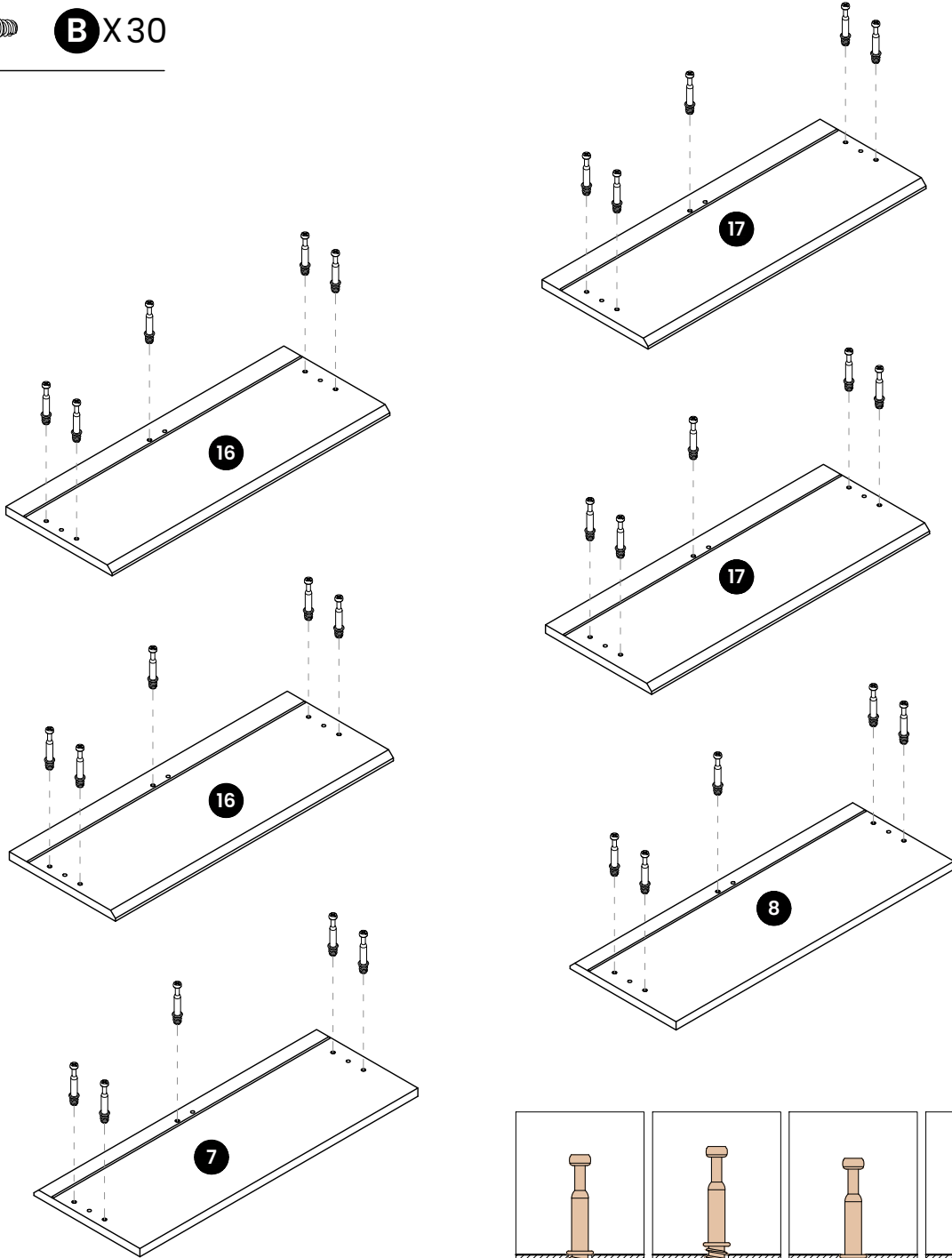
Step 3: Use screws to attach the L-shaped angle bracket to the wall.

**H** X2**J** X2

STEP 14



B X30



Install the screw correctly to secure the screw.

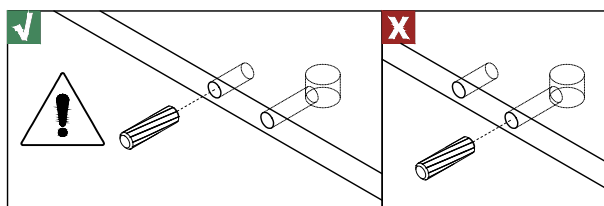
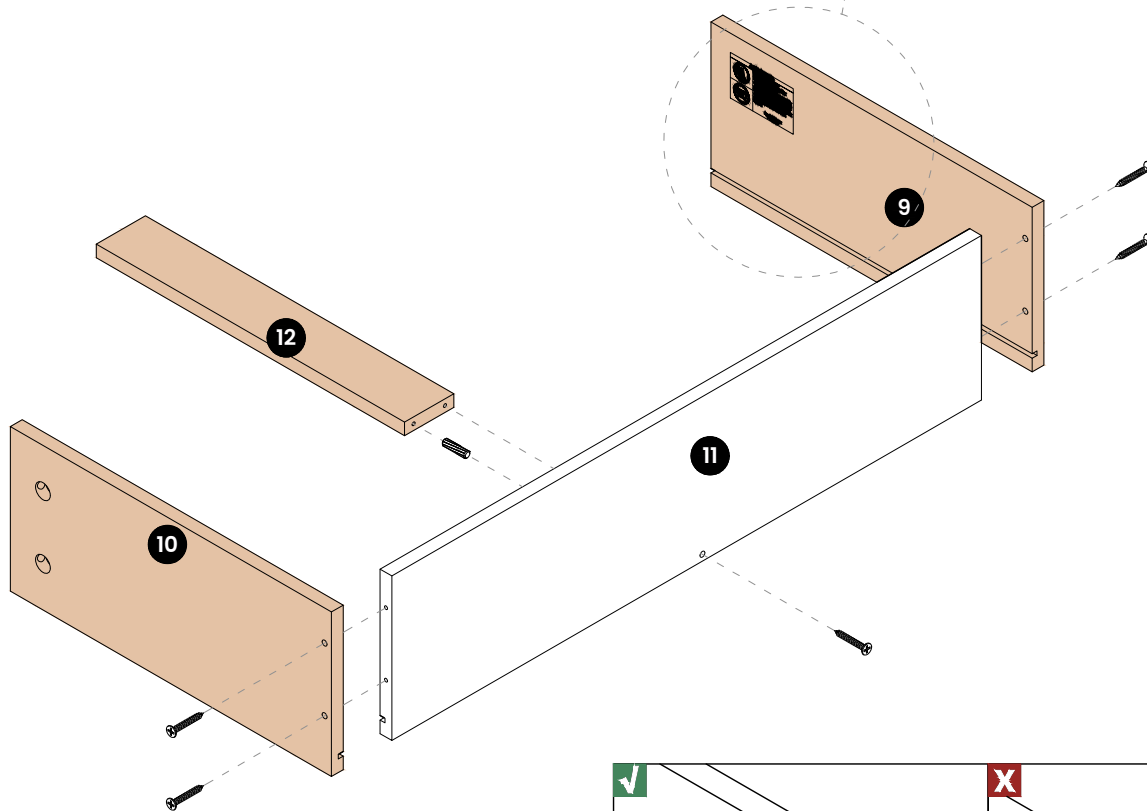
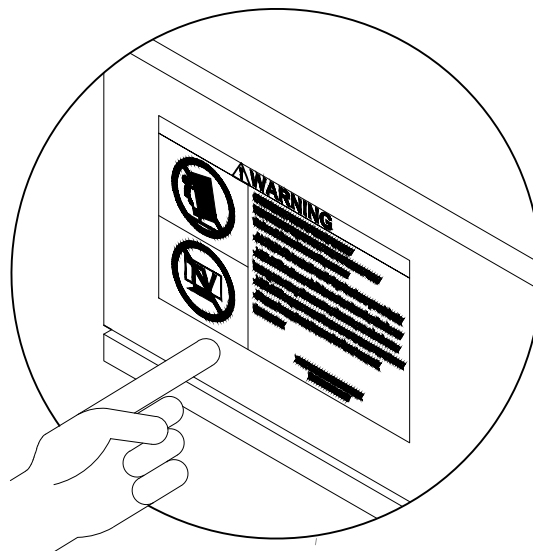
STEP 15



E X5



C X1



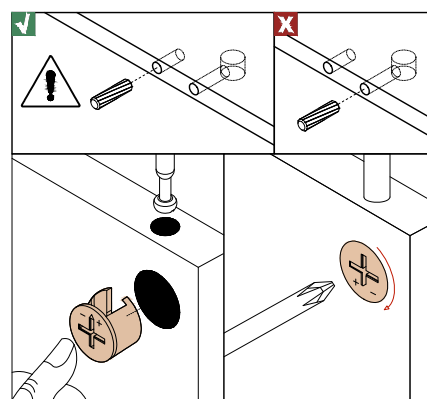
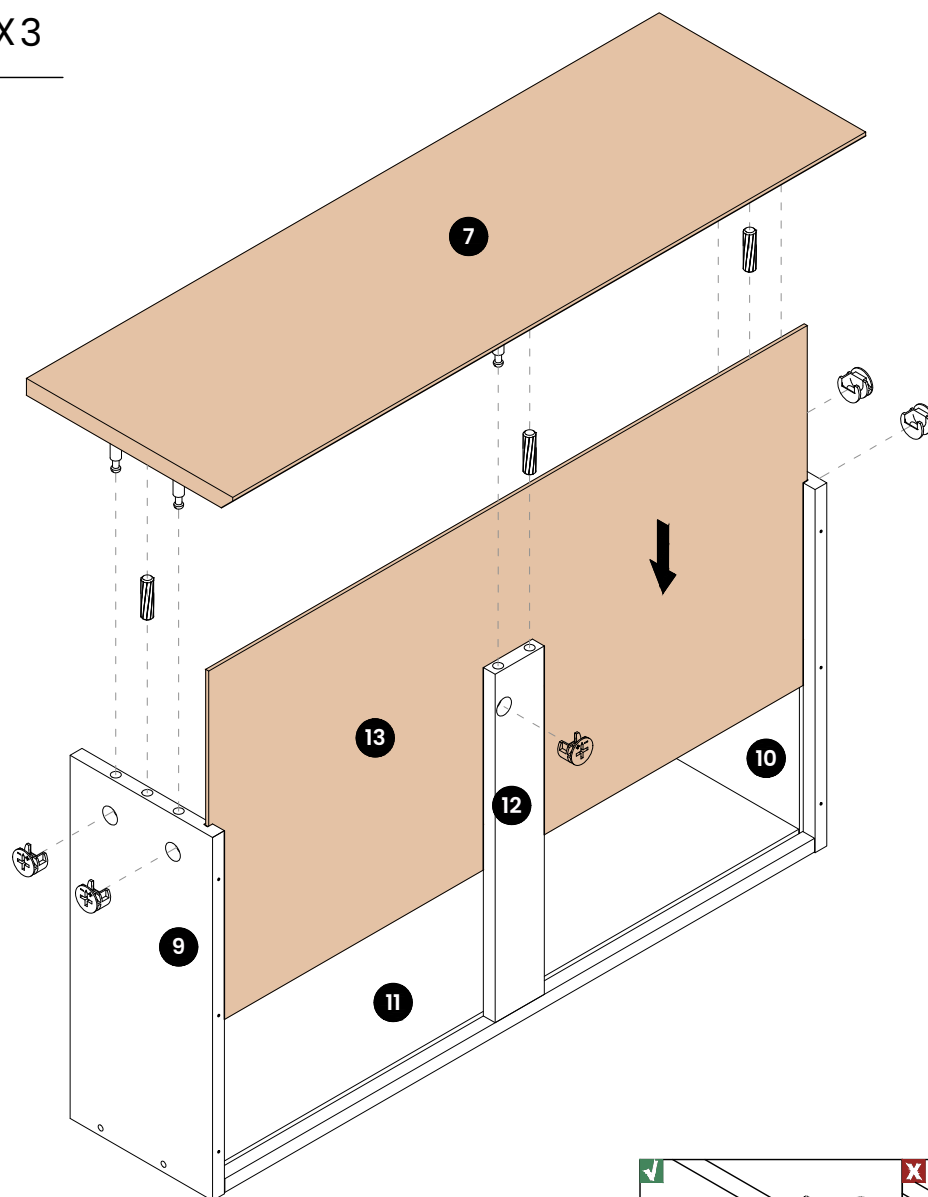
STEP 16



A X5



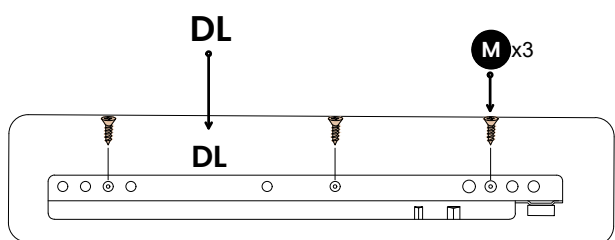
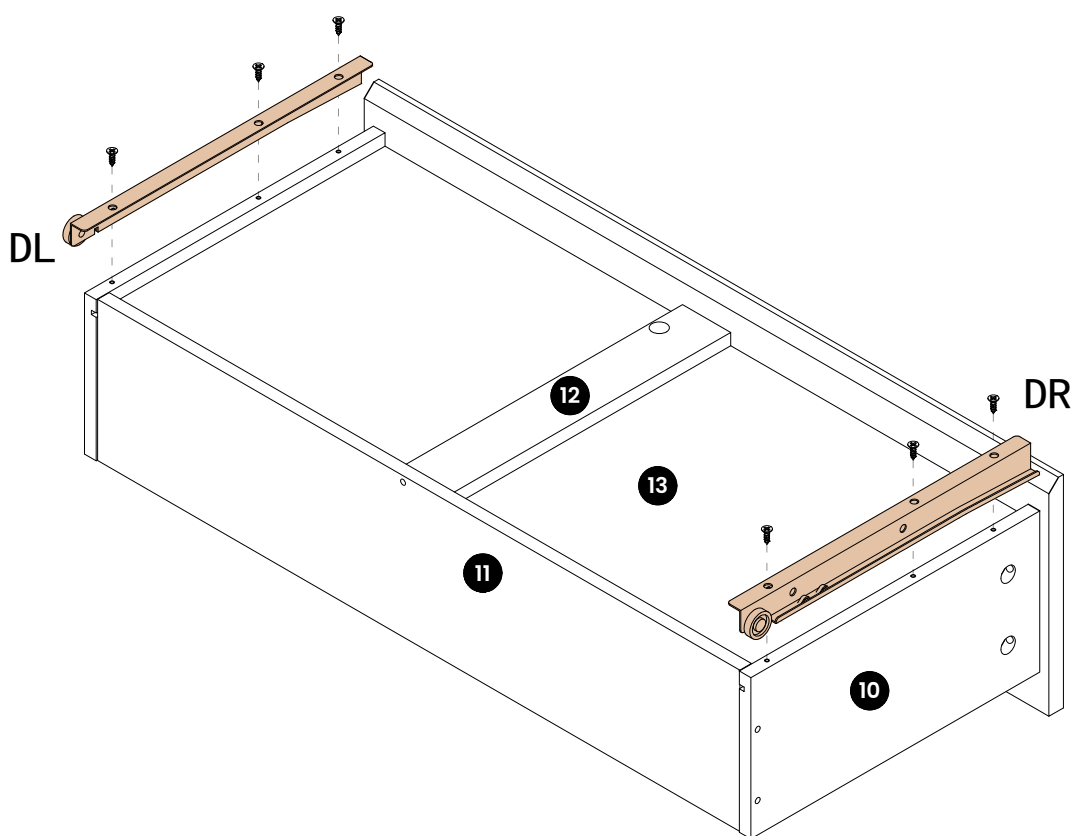
C X3




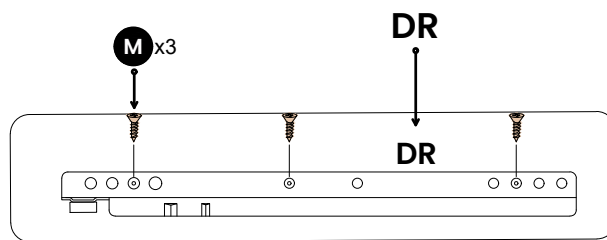
STEP 17


 **M** X6

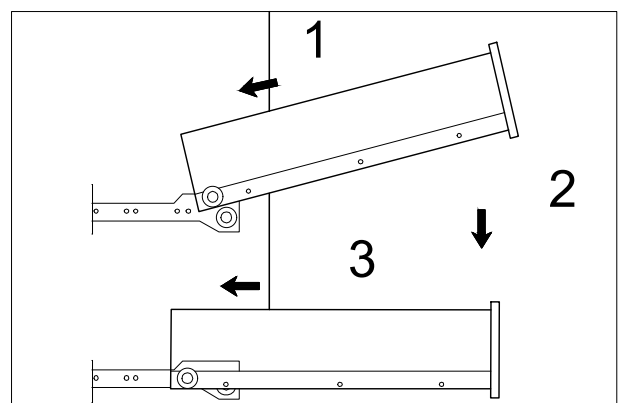
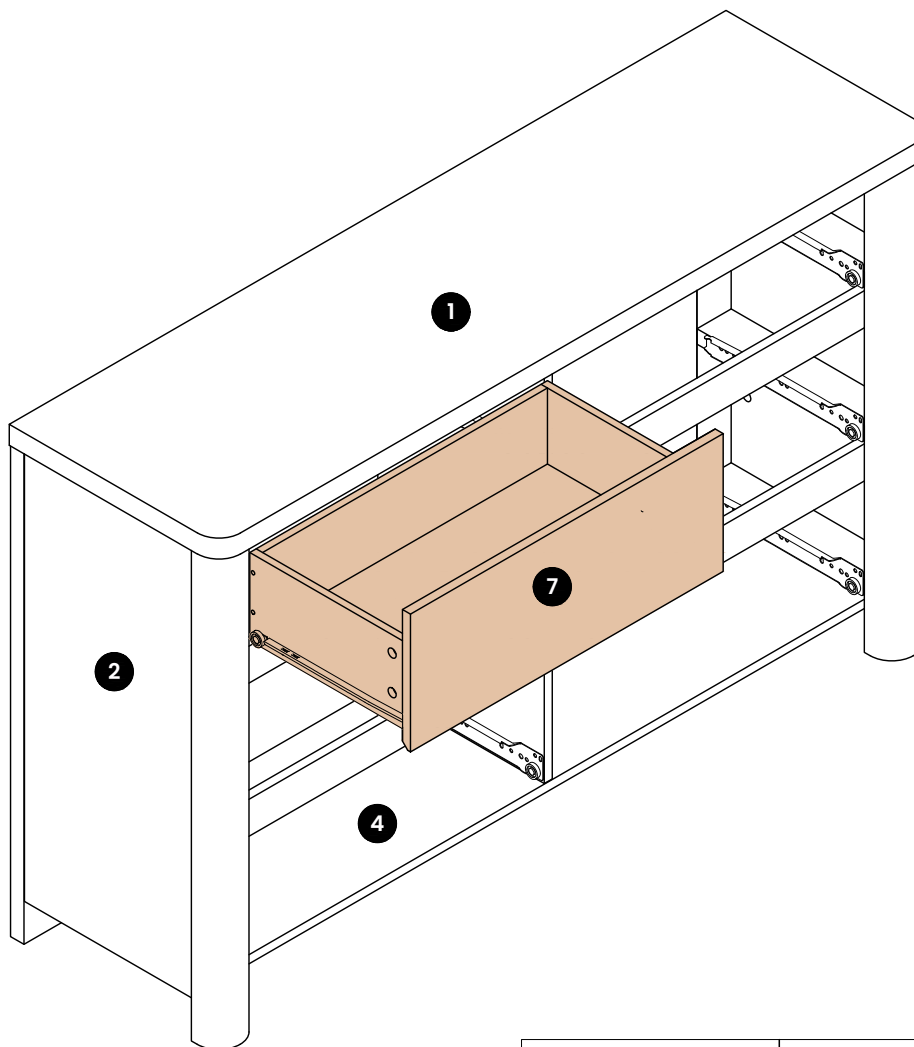
 **N** X1



 Pay attention to the position of the screws



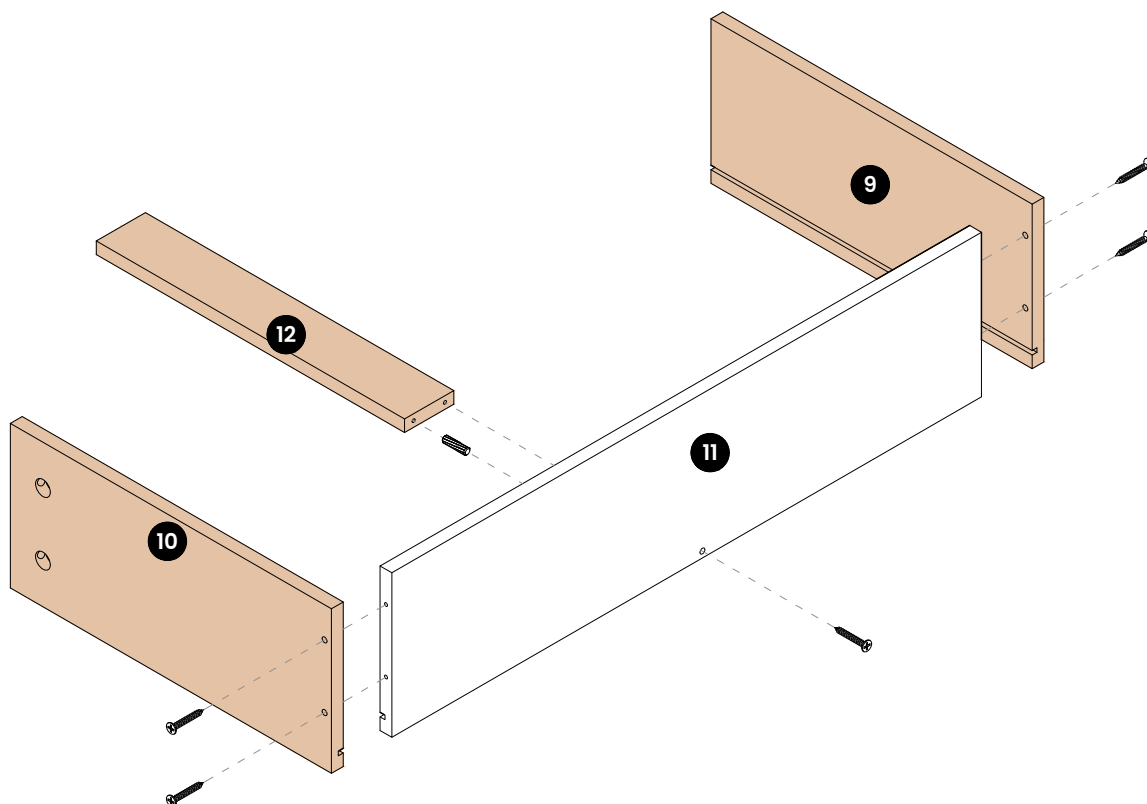
 Pay attention to the position of the screws

STEP 18

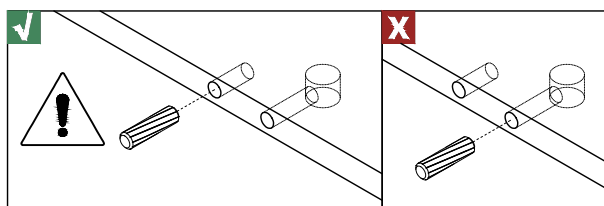
STEP 19

 **E** X25

 **C** X5



x5



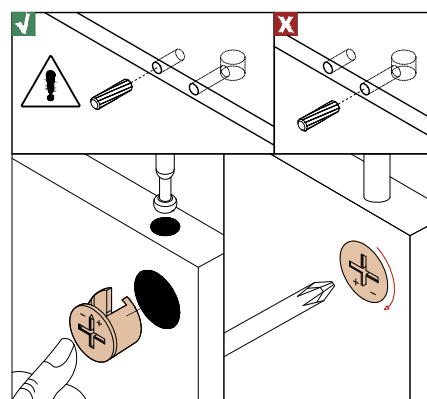
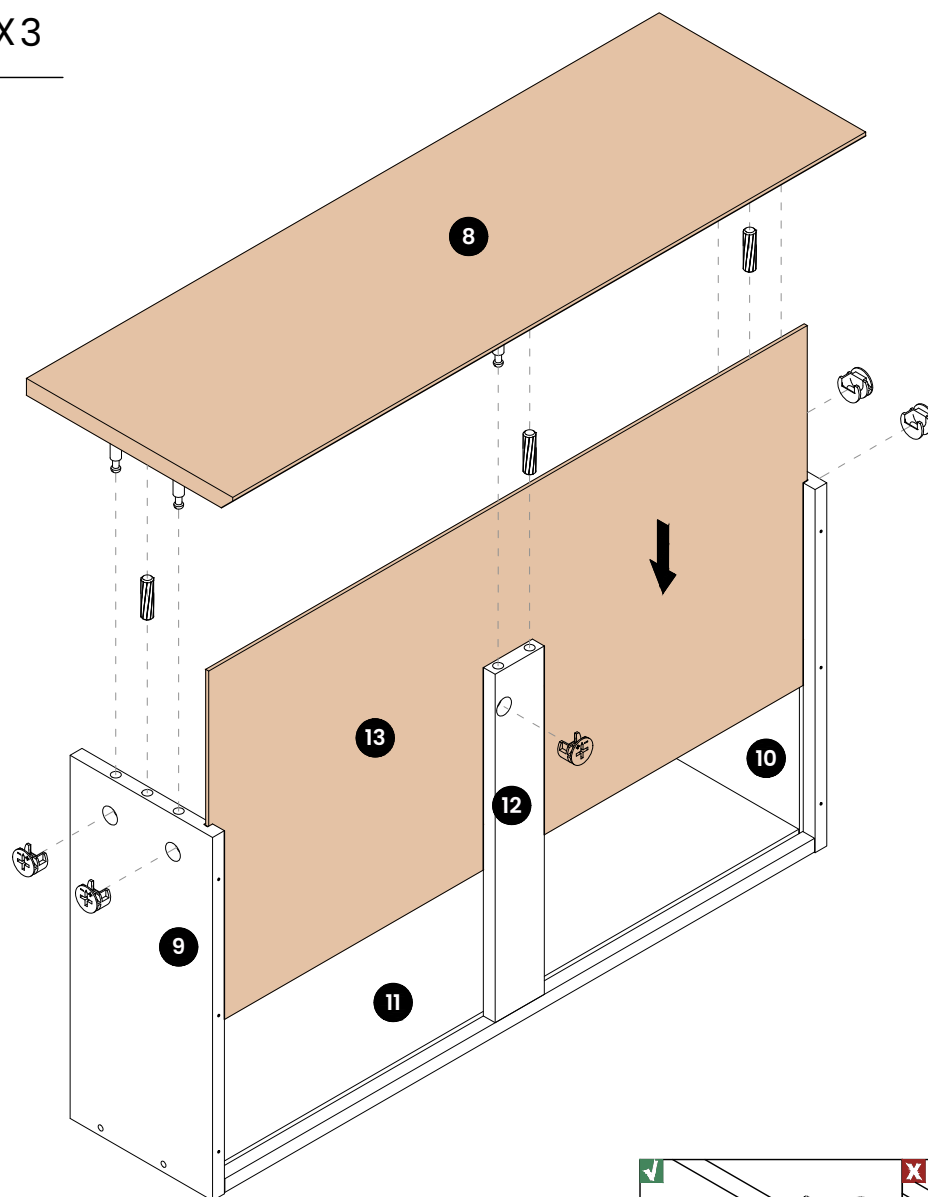
STEP 20



A X5



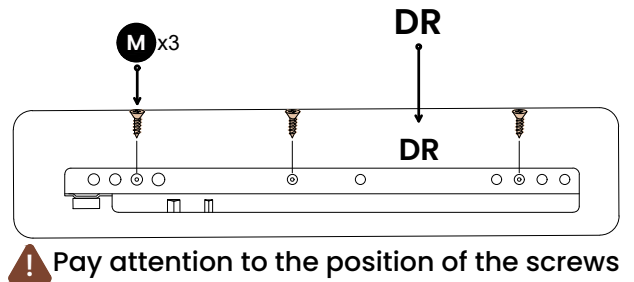
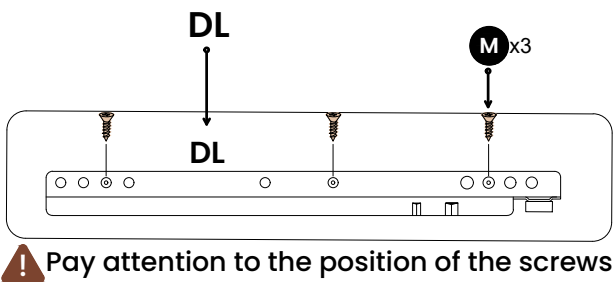
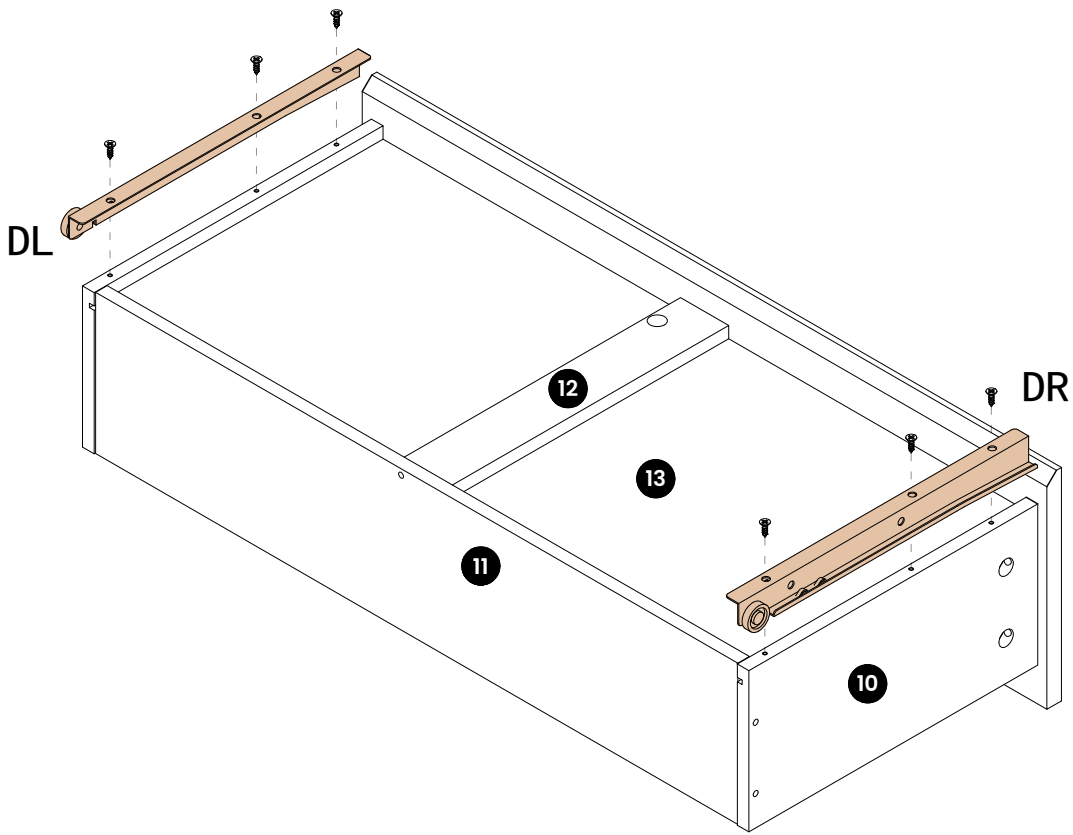
C X3

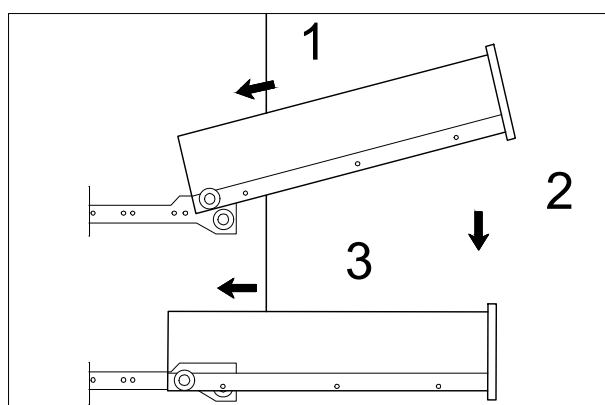


STEP 21

 **M**X6

 **N**X1



STEP 22

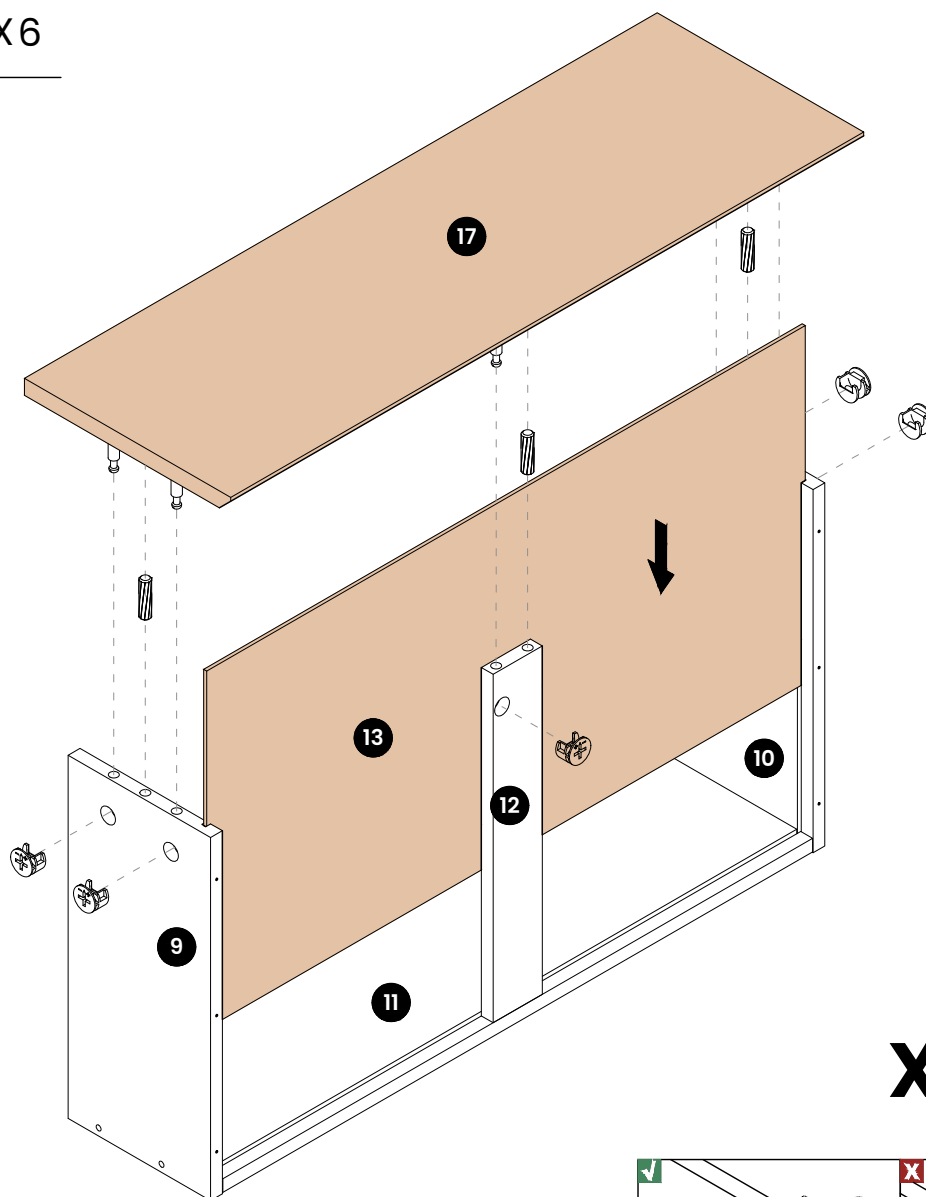
STEP 23



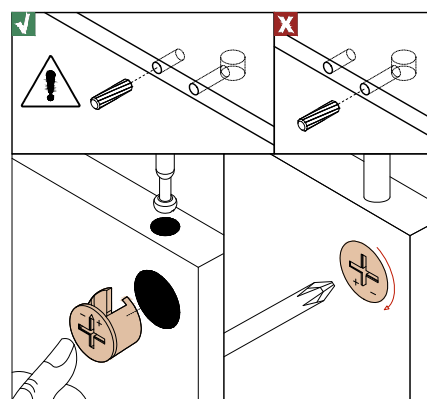
A X10



C X6



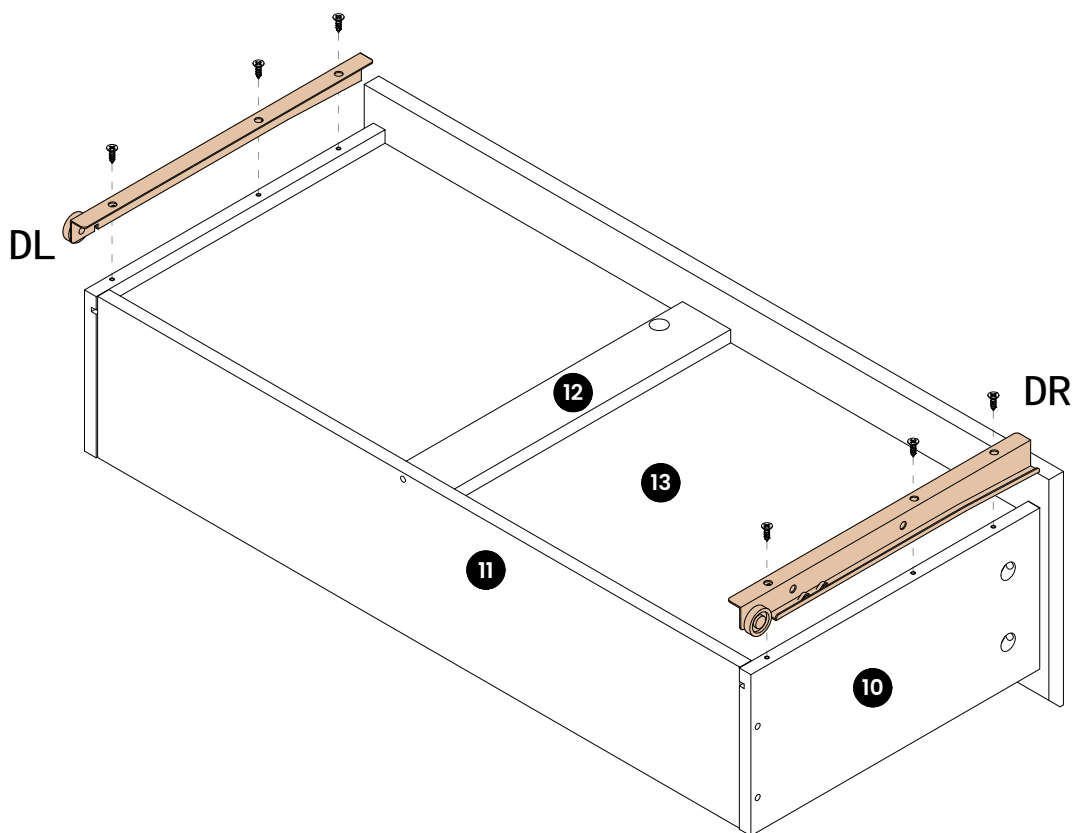
x2



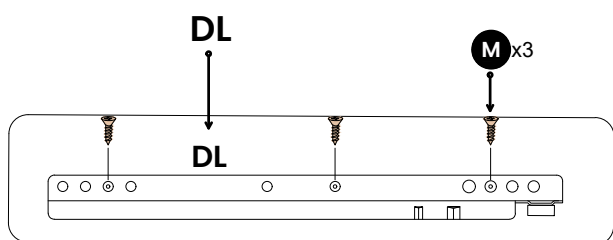
STEP 24


 **M** X12

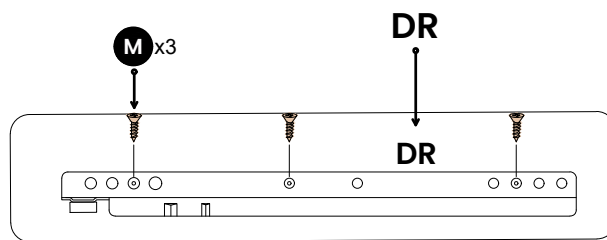
 **N** X2




x2

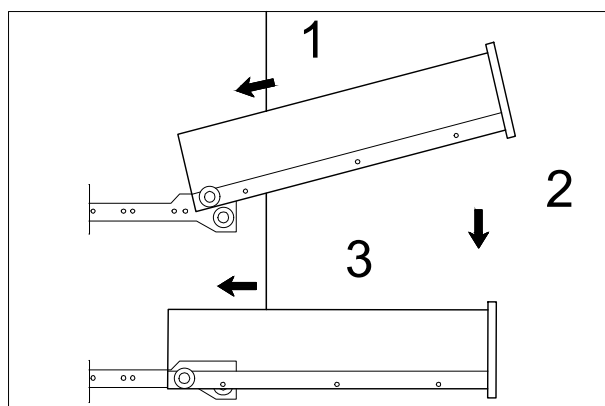
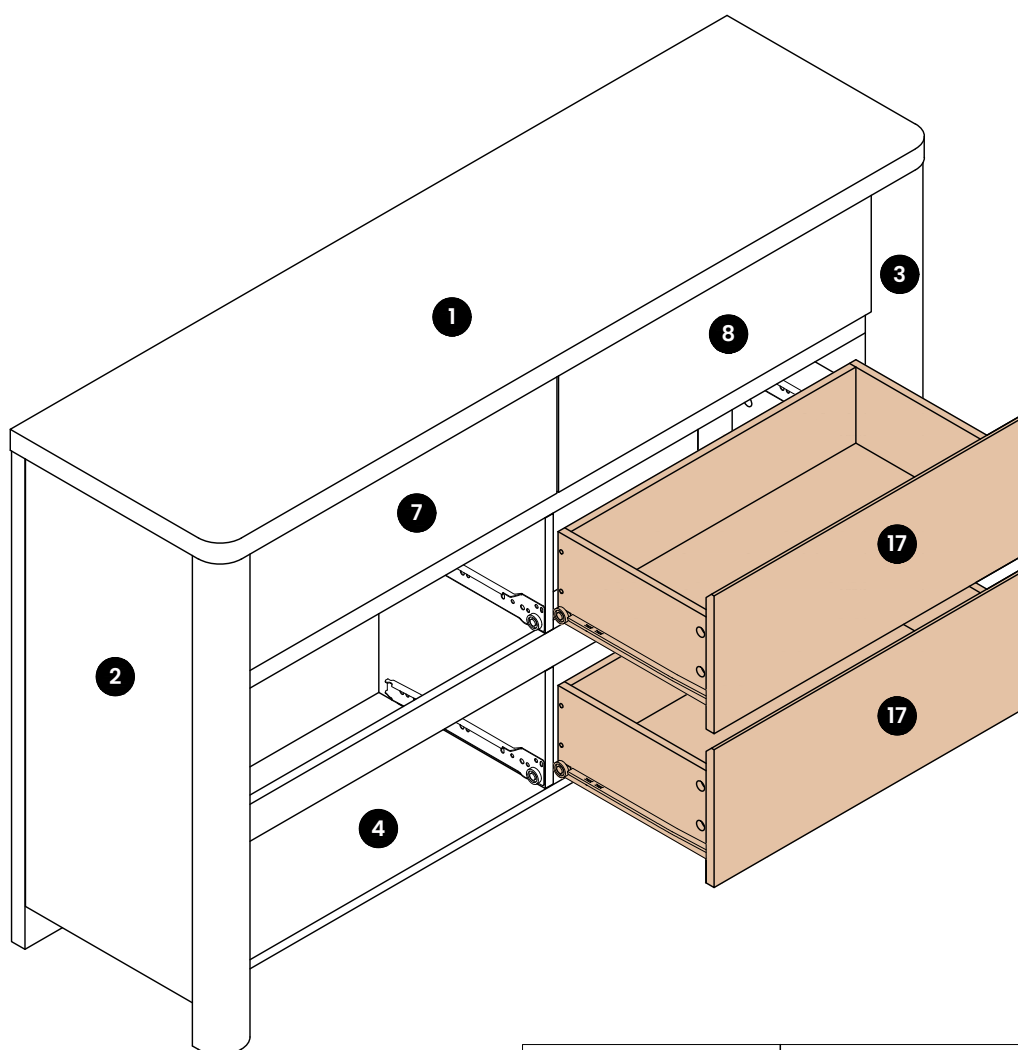


 Pay attention to the position of the screws



 Pay attention to the position of the screws

STEP 25



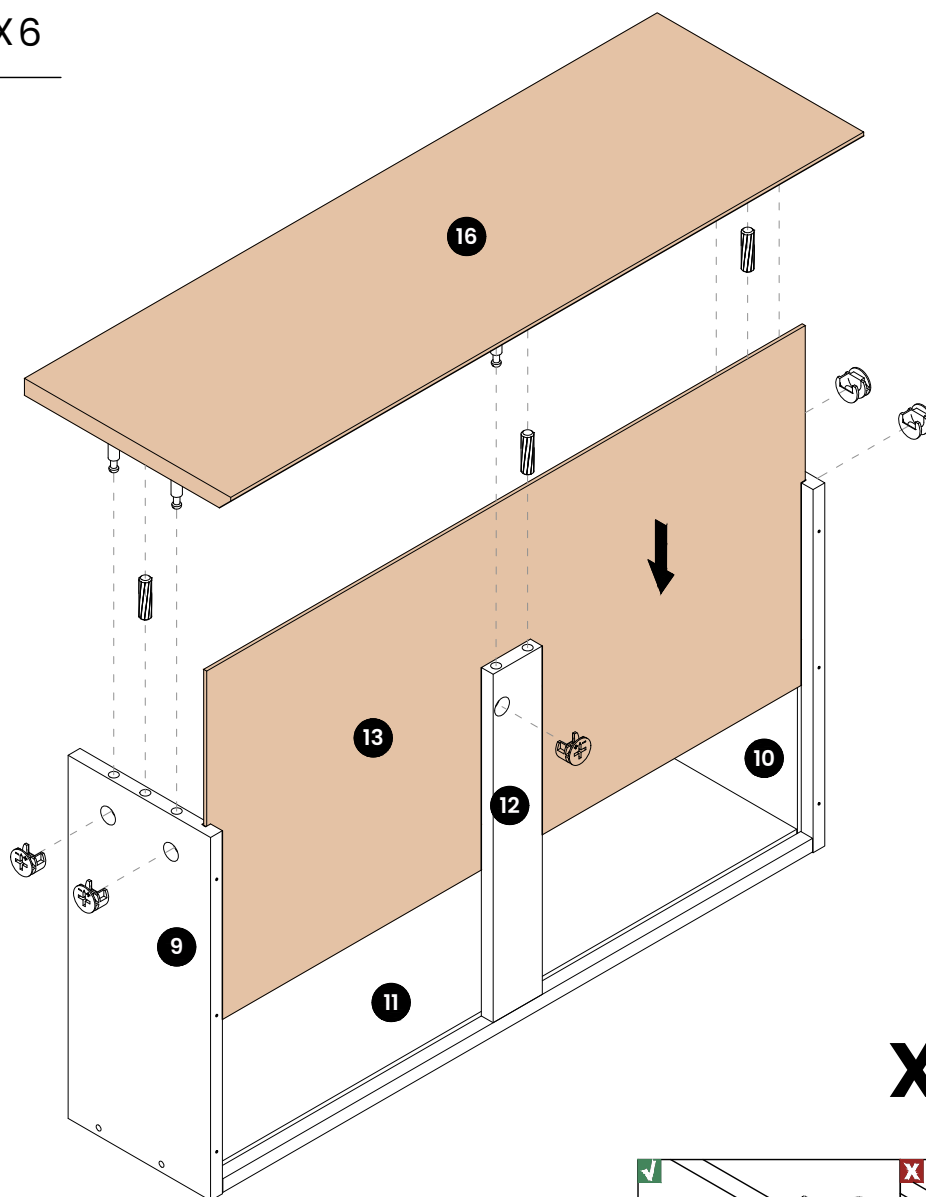
STEP 26



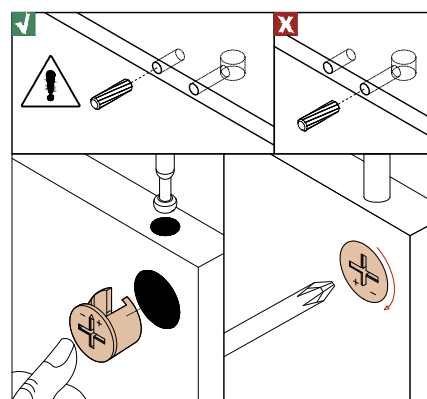
A X10



C X6



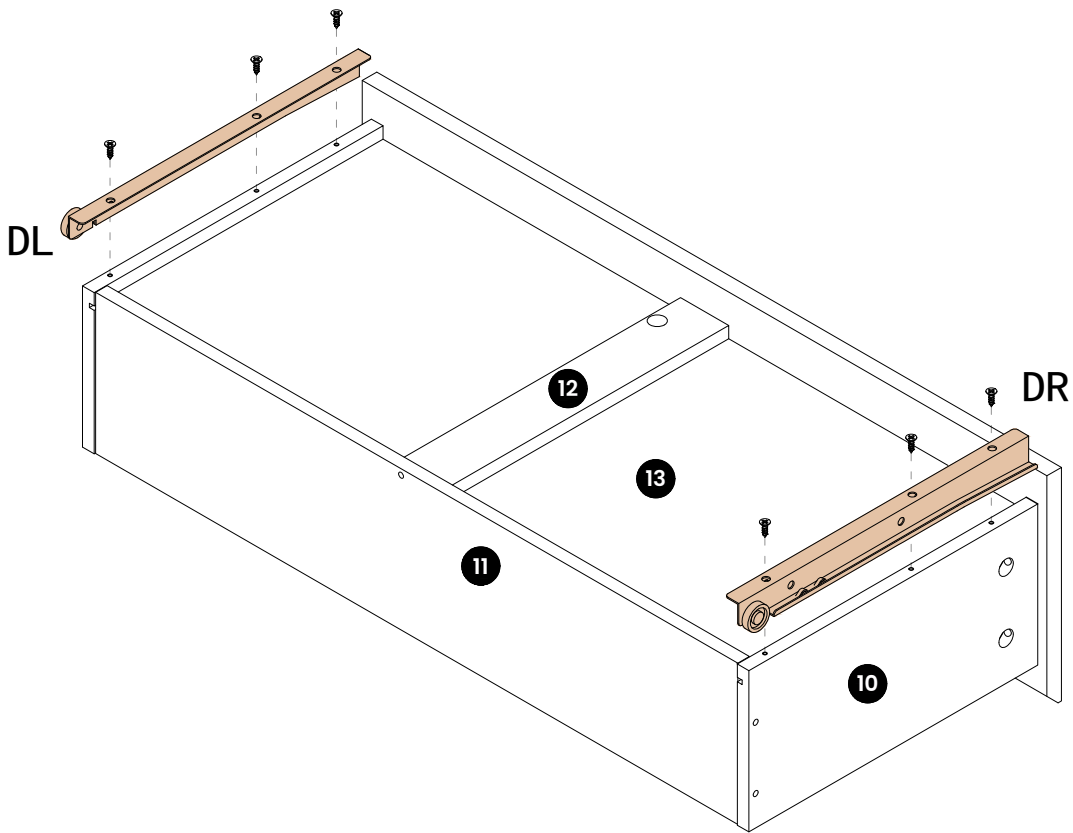
x2



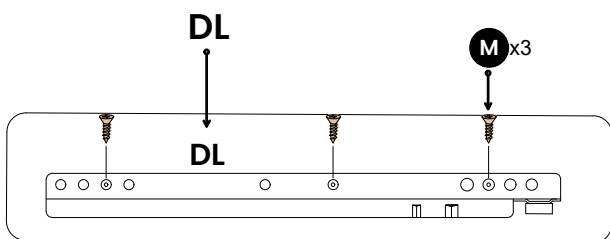
STEP 27


 **M**X12

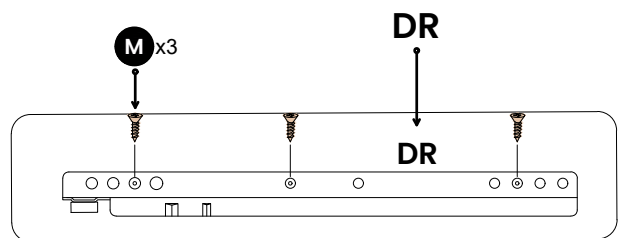
 **N**X2




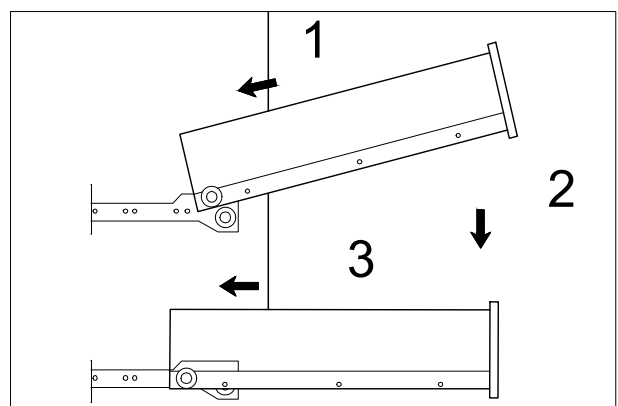
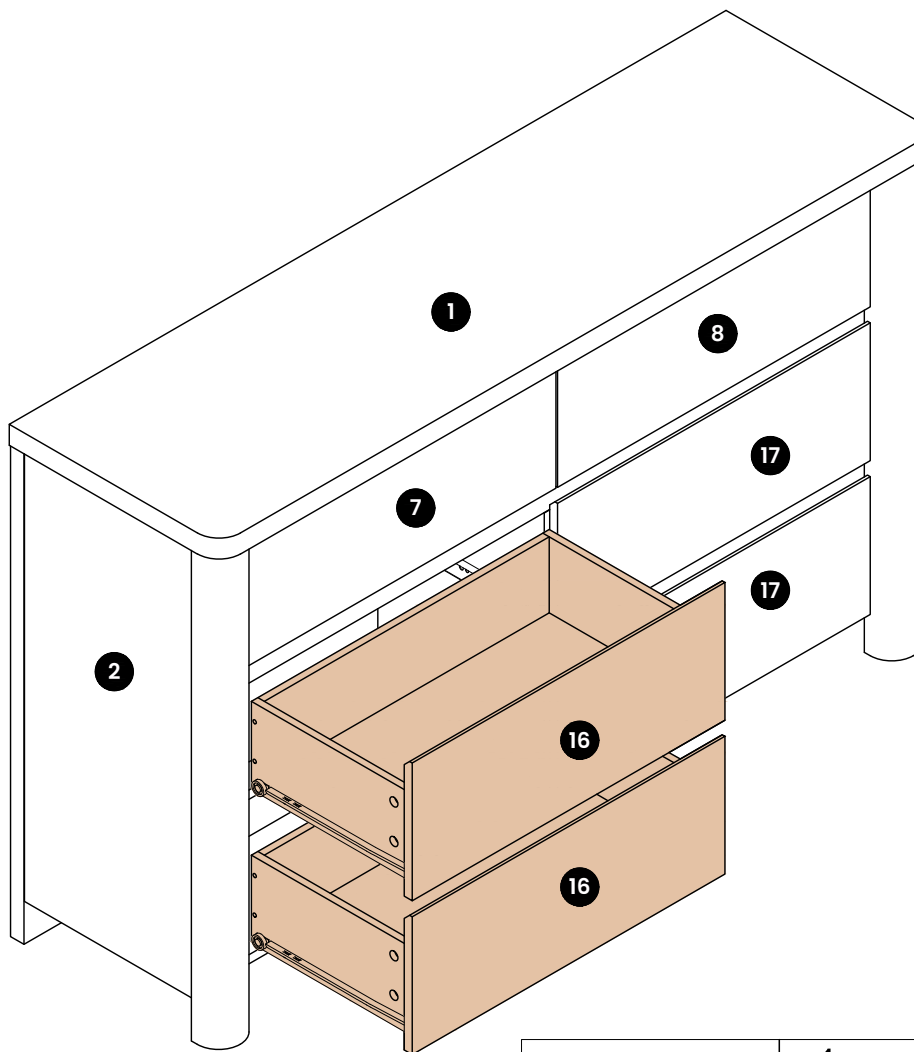
x2



 Pay attention to the position of the screws



 Pay attention to the position of the screws

STEP 28



After-Sales Service Hotline: (800) 661-5928