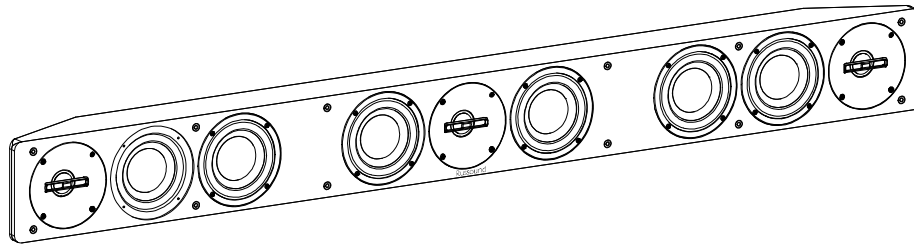


a sound relationship
Russound



CINEMA BAR 3.0

Premium Performance 3.0 Cinema Soundbar

Enhance Your Home Theater Experience with Cinema Bar 3.0:
The Ultimate On-Wall Soundbar Solution

INSTALLATION GUIDE

OVERVIEW

The Cinema Bar 3.0 passive soundbar is the perfect on-wall soundbar solution to pair with the Russound AVA-Series of mini-AVRs to improve the sound of any audio content, whether it be music, TV shows, or even the most dramatic cinematic moments of your favorite movies.

The large 4" polypropylene woofers with their passive radiator design for bass enhancement will provide you with sound that you never would have thought possible without a dedicated subwoofer in the room.

Constructed of reinforced MDF with isolated audio chambers for each channel, the stylish satin black soundbar adds elegance and appeal beneath the television.

OVERVIEW

The Russound Cinema Series is designed to enhance the enjoyment of any audio system through the use of the highest quality audio components in a custom-optimized enclosure that looks good in any home environment. The premium woofers combined with their passive radiators enhance the bass response to levels that you would never expect in such a low-profile soundbar.

RECOMMENDED AMPLIFIER POWER

The Cinema Bar 3.0 is designed to handle up to 100 watts RMS per channel.

WHAT'S IN THE BOX

- (1) Cinema Bar 3.0
- (2) Wall-mount Brackets with mounting screws
- (2) 1/4-20 x 3/8" long screws for using with 3rd party mounts
- (1) Owner's Manual

INSTALLATION OPTIONS

The Cinema Bar 3.0 is designed to be either wall-mounted or attached to a TV mount. It includes our easy-to-use adjustable slide brackets as well as built-in key-hole slots. For TV mounting, it has built-in 1/4-20 threaded inserts to use with most TV soundbar mounting kits (sold separately).

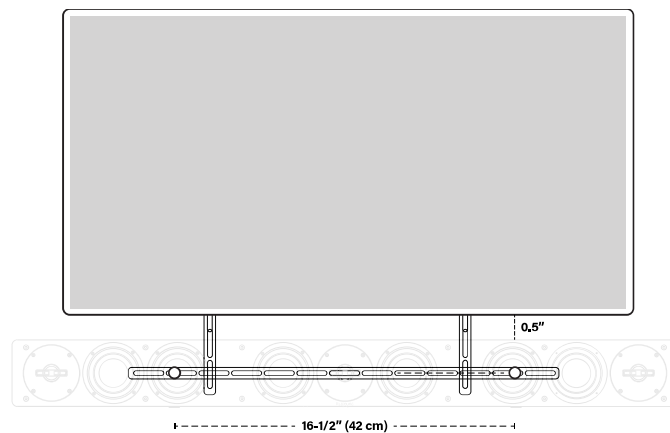
WALL MOUNTING

The Cinema Bar 3.0 may be mounted on any wall or other flat surface using the included wall-mount slide brackets. Make sure to use suitable wall-anchors or secure the brackets to any wall stud.

Before beginning a wall-mounting installation, make sure to plan the location carefully to avoid any electrical, plumbing, HVAC, or other possible obstacles behind the wall.

The soundbar should be as close to the TV as possible for an ideal listening experience. Separating the soundbar from the TV too much can lead to a poor listening experience with the audio content separating from the video content.

USING A TV/SOUNDBAR MOUNT:



For optimal performance, attach the Cinema Bar 3.0 to your TV mount using the built-in threaded inserts which are spaced 16-1/2" (41.91cm) apart. This is compatible with most 3rd party soundbar mounting kits.

INSTALLATION OPTIONS

MOUNTING YOUR SOUNDBAR ON THE WALL WITH THE INCLUDED BRACKETS:

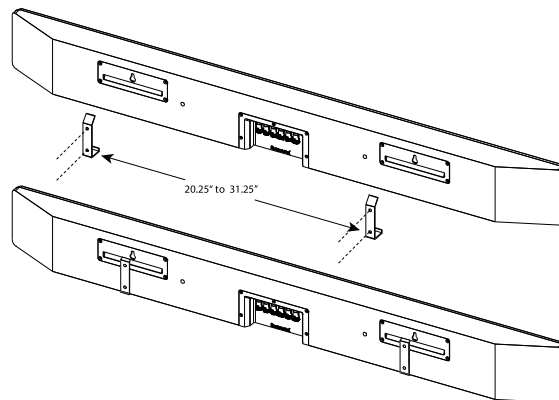
The included wall-mount brackets are designed with a unique slide adjustment capability, allowing the mounted soundbar to slide from left to right a maximum of approximately 5" (12.7cm) after the soundbar is mounted.

If the brackets are mounted in the center of their mounting slots, this means that the soundbar can be adjusted horizontally for approximately 2.5" (6.4cm) in either direction.

The brackets should be separated by 25-3/16" (64cm) on the wall, center to center, for optimum spacing.

When fully mounted, the center of the top screwholes of the wall-mount brackets will be 2.5" (6.4cm) from the top edge of the Cinema Bar 3.0. We recommend separating the Cinema Bar 3.0 from the bottom edge of the TV by at least 1/2" (1.27cm).

1. Choose a suitable wall location
2. Mark the locations of the wall-mount bracket screw-holes
3. Secure the brackets to the wall. Use suitable anchors if needed
4. Attach the soundbar to the brackets by inserting the bottom edge of the bracket to the soundbar first and then tilting the soundbar onto the top angled portion of the brackets
5. Test and ensure a stable mount. The soundbar can be adjusted left-to-right to ensure exact alignment



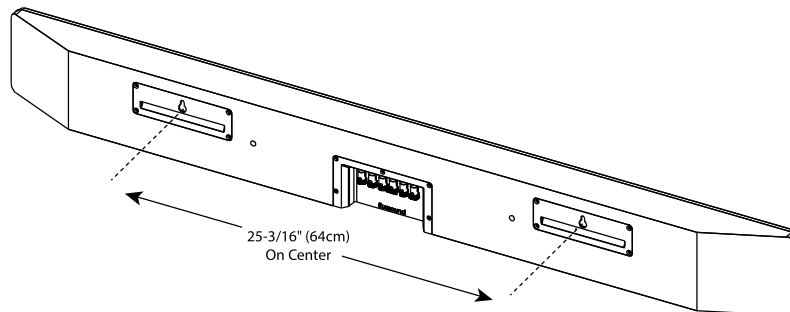
INSTALLATION OPTIONS

MOUNTING YOUR SOUNDBAR ON THE WALL WITH THE KEYHOLE SLOTS:

The Cinema Bar 3.0 can be mounted using the built-in keyhole slots.

For a $\frac{1}{2}$ " (1.27cm) separation from the bottom edge of the TV when mounted, locate the screws 1.97" (5 cm) below the edge of the TV. The two screws will be separated by $25\text{-}\frac{3}{16}$ " (64cm) center to center.

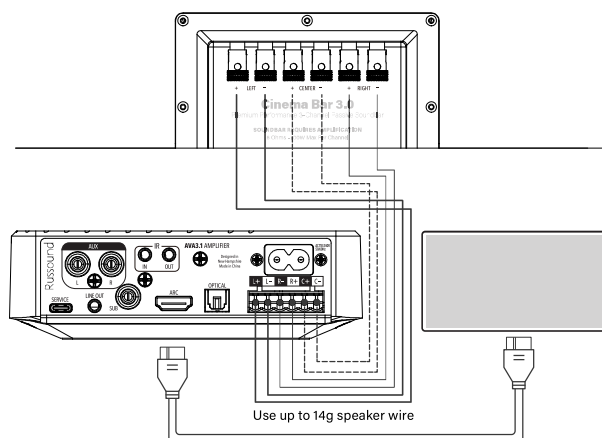
1. Choose a suitable wall location
2. Mark the locations of the screw-holes
3. Secure the screws to the wall. Use suitable anchors if needed
4. Attach the soundbar to the screws using the keyhole slots
5. Test and ensure a stable mount



CONNECTING THE SOUNDBAR

CONNECTIONS

This diagram displays connections with the AVA3.1 unit connected to the left, center, and right channels of the Cinema Bar 3.0. An HDMI cable connects the TV to the AVA3.1, streamlining the audio-visual setup.



CONNECTING LOUDSPEAKERS

Note: All wiring connections must be made with the amplifier powered off

As with any premium loudspeaker, the Cinema Bar 3.0 should always connect directly to the amplifier. CL2-rated wire, or any specific wire specifications required by local electrical codes must be used when running wire within a home's walls. The premium built-in push connectors are designed to use up to 12 ga wire. Stranded wire is recommended for all installations. The oversized terminal area on the rear of the Cinema Bar 3.0 is designed to minimize installation time while allowing the soundbar to sit flush to the wall.

When connecting the loudspeaker wires, be sure to observe proper polarity. The positive and negative terminals for each channel (left, right, and center) must correspond with the positive and negative terminals on the amplifier.

Strip 1/8" (about 3mm) from each of the conductors for left, right, and center and insert them into the proper push terminal, making sure to match the

SPECIFICATIONS

proper polarity of each connection. Make sure that there are no exposed strands that might cause a short-circuit.

SPECIFICATIONS

Speaker Type:	3-Channel Passive
Tweeter x3:	1" Soft Dome
Passive Radiators x3:	4" Polypropylene
Woofers x3:	4" Polypropylene
Frequency Response:	70 Hz – 20 kHz
Crossover Frequency:	3,000 Hz
Sensitivity:	87.5db @ 2.83 v/1m
Max Power Input:	100 Watts Per Channel RMS
Nominal Impedance:	6 Ohms
Binding Posts:	Easy To Use Push Connectors
Max Wire Size	12 ga
Cabinet Construction:	Reinforced MDF with Isolated Chambers Per Channel
Cabinet Finish:	Satin Black
Grille:	Black/Gray, Pin Mounted
Wall Mount:	Included
TV Wall Mount:	Included Inserts and 2 x M8 Screws
Environmental Friendly Design	CARB Phase 2 Compliant
Product Dimensions & Weight:	50" x 5" x 3.1" (127cm x 12.7cm x 7.8cm) 16 lbs (7.23 kg)
Shipping Dimensions & Weight:	53.9" x 9.1" x 7" (137cm x 23cm x 18cm) 19.5 lbs (8.85 kg)

CARE

Remove dust with a microfiber cloth. Chemicals or solvents should not be used as they can affect the finish. The grille is removable by pulling gently to separate the push-mounting pins from their mounting holes. Pull gently around the edge, moving from one side to another until the grille is fully removed.

WARRANTY

LIMITED WARRANTY

Russound/FMP, Inc. warrants to the original retail purchaser that this product will be free of manufacturing defects in material and workmanship for the following periods ("Warranty Period") and subject to the limitations and exclusions set forth below:

Lifetime

Volume controls, Architectural Series speakers

Ten years from the date of purchase

Speaker selectors and impedance matching devices

Five years from the date of purchase

Landscape speakers, Outback™ speakers, Soundbars

Two years from the date of purchase

Multiroom controllers, keypads, source equipment, MBX-Series, A-BUS, ComPoint devices, D-Series, AVA-Series and all Infrared products

One year from the date of purchase

P-Series amplifiers, touchscreens

Ninety days from the date of purchase

All B-Stock or factory-refurbished items

This Warranty is not transferable to subsequent purchasers/owners of the product.

This Warranty does not include service or parts to repair damage caused by improper use or handling, including but not limited to damage caused by accident, mishandling, improper installation, shipping damage, power surges, lightning strikes, abuse, negligence, or normal wear and tear, or any defect caused by repair to the product by anyone other than Russound or Russound's authorized repair facility.

Certain Russound products may permit access to third-party content providers and/or may support third-party technologies such as specific codecs or file formats. Russound reserves the right to discontinue support and/or access to such third-party content or technologies at any time and for any reason. Russound makes no representations or warranties whatsoever regarding ongoing support for any such third-party content or technologies.

This Warranty does not cover reimbursement for the costs of removing and transporting the product for warranty service evaluation, re-installation, or installation of any replacement product provided under this Warranty.

To obtain warranty service, contact the authorized Russound dealer/installer where you purchased your product or take the unit to the nearest authorized Russound dealer. Proof of purchase must be provided – claims made without proof of purchase will not be covered under this Warranty. The authorized Russound dealer/installer will test the product and if necessary, make arrangements with Russound for service. If there are no authorized Russound dealers in your area, you must contact Russound to receive a factory Return Authorization Number and shipping instructions. Purchaser is responsible for any shipping and handling charges for shipping the product to Russound. **DO NOT RETURN ANY UNIT WITHOUT FIRST RECEIVING WRITTEN AUTHORIZATION AND SHIPPING INSTRUCTIONS FROM RUSSOUND. ANY PRODUCTS RECEIVED WITHOUT FOLLOWING THIS PROCEDURE WILL BE REFUSED AND RETURNED UNOPENED.**

WARRANTY

Upon examination, Russound will, at its sole option and expense, repair or replace any product found to be defective. Russound will return the repaired or replaced unit to you via its usual shipping method from the Russound repair center to your address in the United States of America or Canada only. Any shipping costs for addresses outside of the United States or Canada or any expedited shipping charges requested by the purchaser shall be the responsibility of the purchaser. In the event that a particular product is no longer available and cannot be repaired effectively, Russound, at its sole option, may replace it with a different model of equal or greater value, or refund the original purchase price paid. THE FOREGOING ARE YOUR EXCLUSIVE REMEDIES FOR BREACH OF WARRANTY.

This Warranty will be void if:

- The serial number on the product has been removed, tampered with, or defaced.
- The product was not purchased from an authorized dealer or reseller.

THE FOREGOING WARRANTIES ARE EXCLUSIVE AND IN LIEU OF ALL OTHER EXPRESSED AND IMPLIED WARRANTIES. RUSSOUND EXPRESSLY DISCLAIMS ALL SUCH OTHER WARRANTIES, INCLUDING BUT NOT LIMITED TO IMPLIED WARRANTIES OF MERCHANTABILITY, FITNESS FOR A PARTICULAR PURPOSE AND NON-INFRINGEMENT, WITH RESPECT TO THE PRODUCT. TO THE MAXIMUM EXTENT PERMITTED BY LAW, RUSSOUND SHALL NOT BE RESPONSIBLE FOR ANY INCIDENTAL OR CONSEQUENTIAL DAMAGES EXCEPT TO THE EXTENT PROVIDED (OR PROHIBITED) BY APPLICABLE LAW, EVEN IF IT HAS BEEN ADVISED OF THE POSSIBILITY OF SUCH DAMAGES.

Notwithstanding the above, if you qualify as a "consumer" under the Magnuson-Moss Warranty Act, or applicable state laws, then you may be entitled to any implied warranties allowed by law for the Warranty Period. Further, some states do not allow limitations on how long an implied warranty lasts or allow the exclusion or limitation of consequential damages, so such limitations may not apply to you. This warranty gives you specific legal rights, and you may also have other rights which vary from state to state.

For the name of your nearest authorized Russound dealer, contact: Russound, 200 International Drive, Suite 155, Portsmouth, NH 03801, or call 1 (603) 659-5170. Please be advised that Russound products are only sold via the Internet through a select group of authorized Internet dealers. These are listed at www.russound.com. Products offered on the Internet through unauthorized Internet dealers are not covered by this warranty and may be either:

- 1) Goods acquired on a secondary or grey market
- 2) Counterfeit or stolen goods
- 3) Damaged, or defective goods

Please fill in your product information and retain this for your records. You may also submit your warranty registration information online on www.russound.com/warranty-registration, but you must still retain all proof of purchase information should warranty service ever be required.

Model _____ Serial No. _____ Purchase Date _____

ATTENTION: TO OUR VALUED CUSTOMERS:

To ensure that consumers obtain quality pre-sale and after-sale support and service, Russound products are sold exclusively through authorized dealers. This Warranty is VOID if the products have been purchased from an unauthorized dealer.



a sound relationship
Russound

©2024 Russound/FMP, Inc. All rights reserved.
All trademarks are the property of their respective owners.
Specifications are subject to change without notice. REV5

