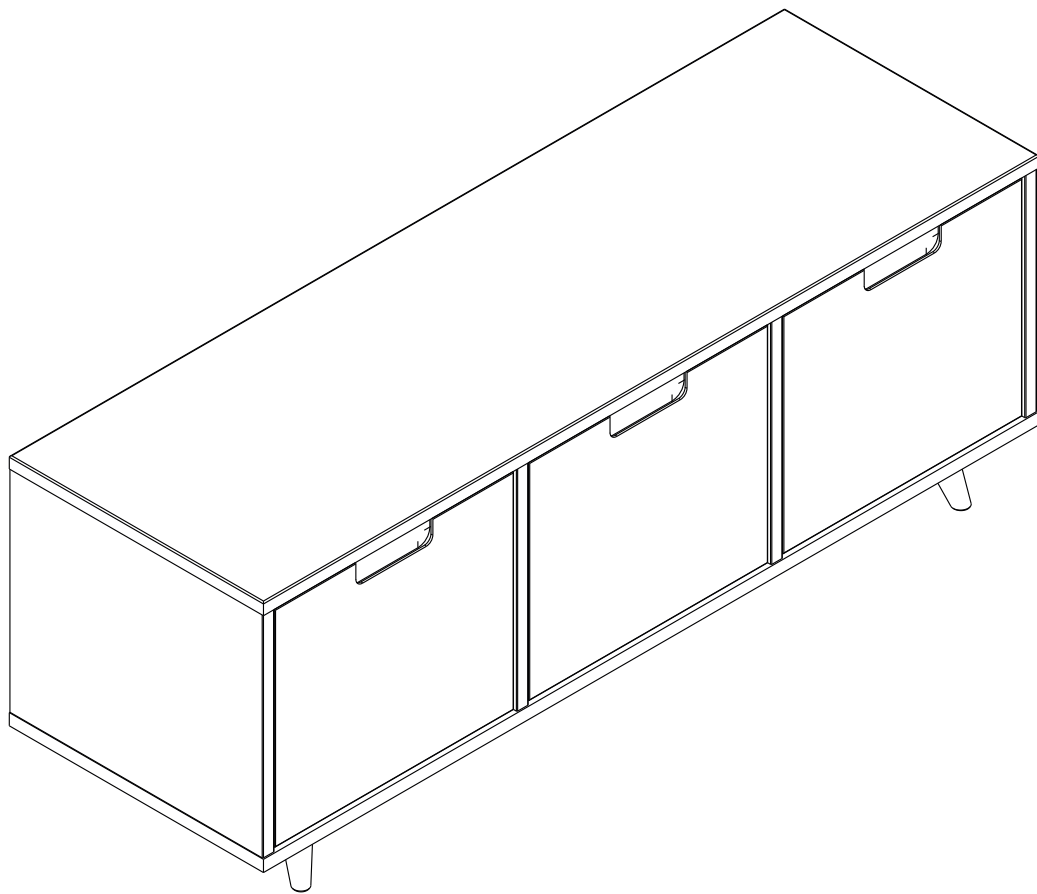


# Item #: B48IV3D

## Assembly Instruction

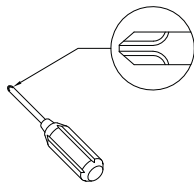


Please visit our website for the most current instructions, assembly tips report damage, or request parts. [www.walkeredison.com](http://www.walkeredison.com)

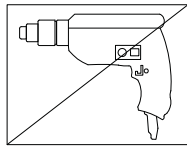
Revised 08/2019

# General Assembly Guidelines

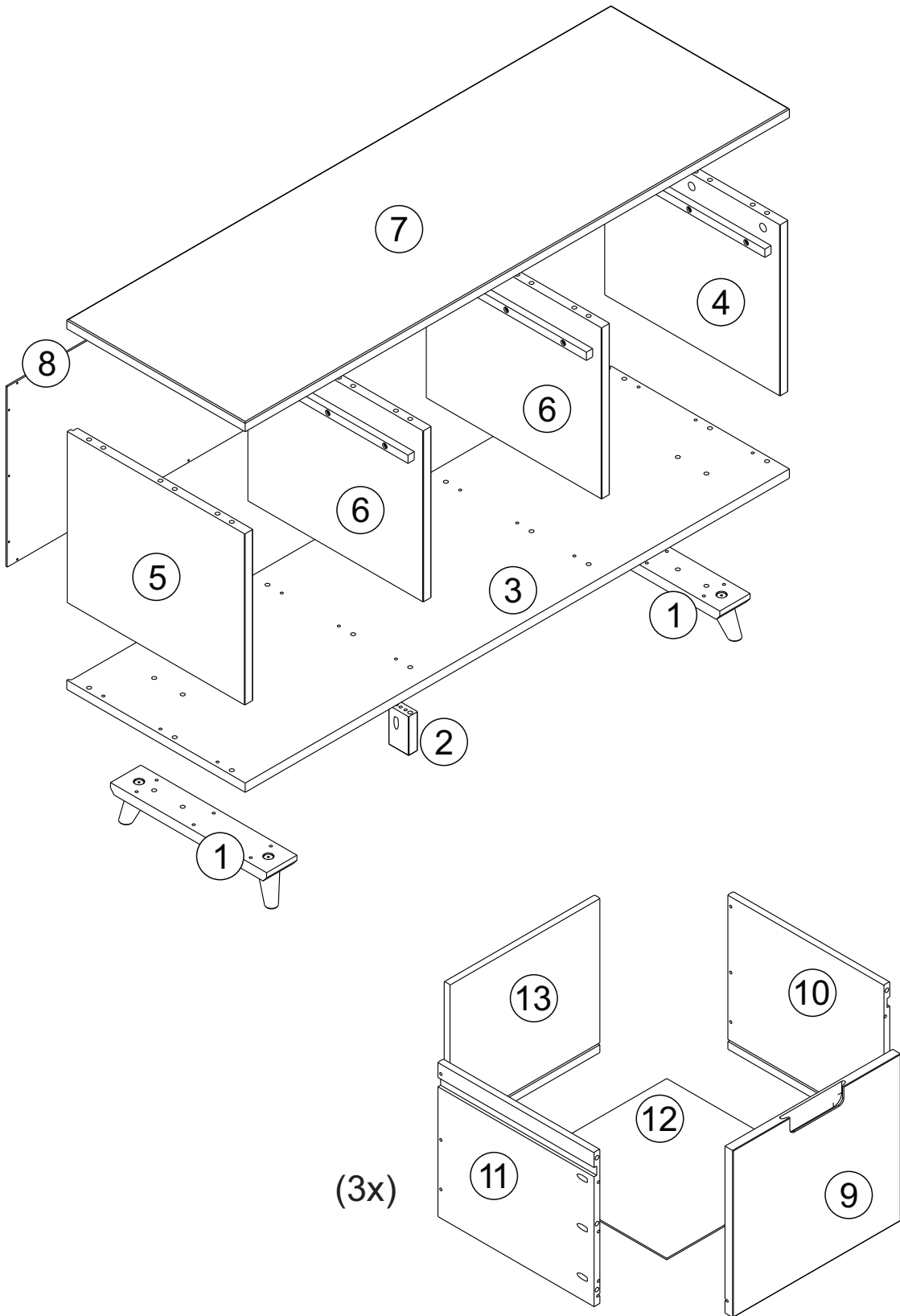
- I. Ensure that all parts and hardware are available before beginning assembly.
- II. Follow each step carefully to ensure the proper assembly of this product.
- III. Two people are recommended for ease in the assembly of this product.
- IV. The three main types of hardware used to assemble this product are : wood dowels , screws and bolts.
- V. A Phillips head screwdriver is required for the assembly of this product .



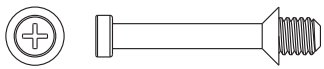
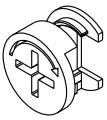

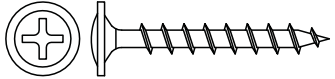


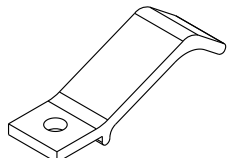
- VI. Power tools should not be used to assemble this product .

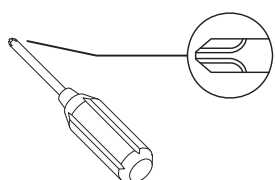


# Parts List



# Hardware List

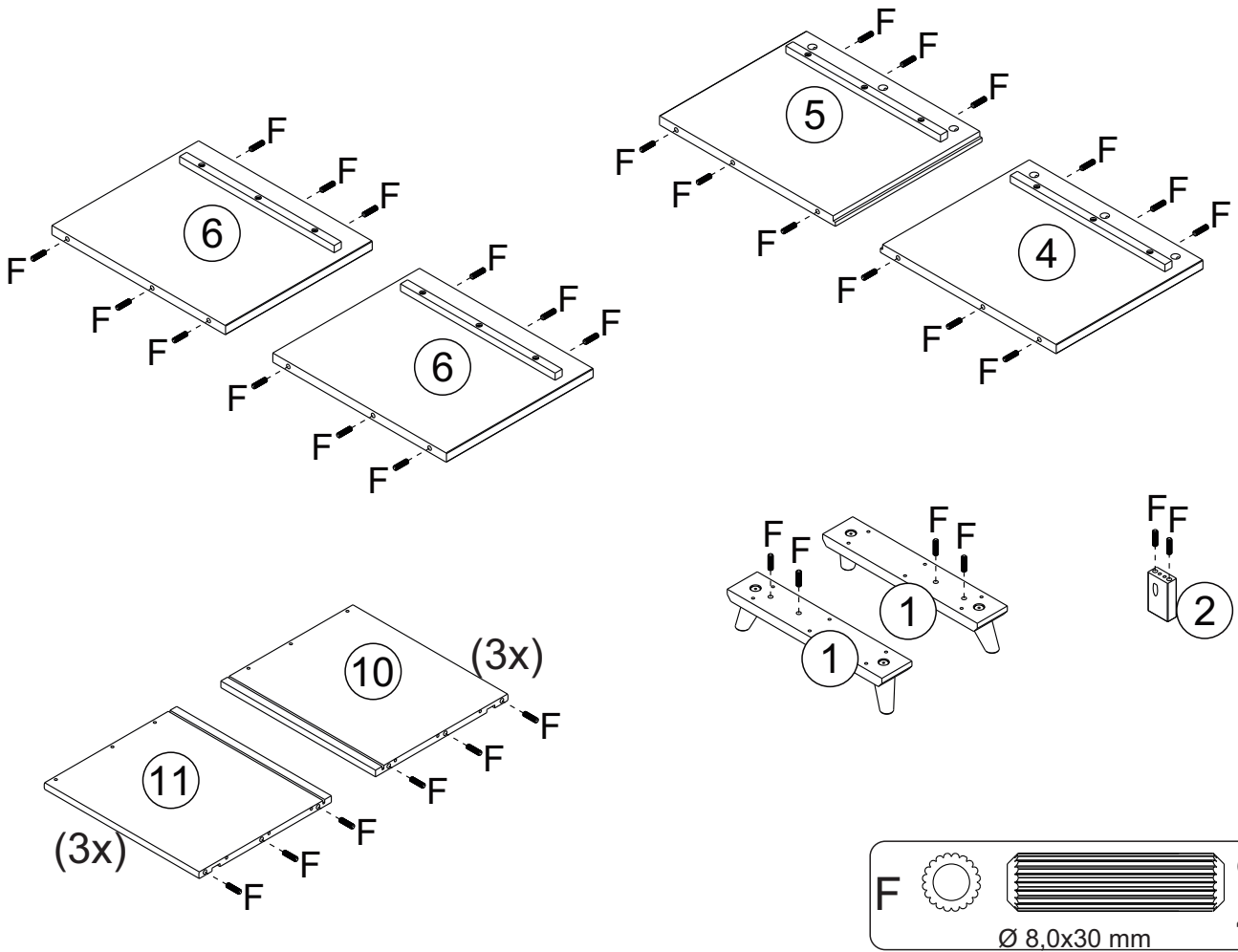
A		Ø 5,5x28mm	Cam Bolt	12 pcs
B		Ø 14x14mm	Cam Lock	12 pcs
C		Ø 4,0x40 mm	Screw	12 pcs
D		Ø 4,0x30 mm	Screw	50 pcs
E		Ø 3,0x16 mm	Screw	23 pcs
F		Ø 8,0x30 mm	Wood dowel	48 pcs
G			Drawer Limiter	03 pcs



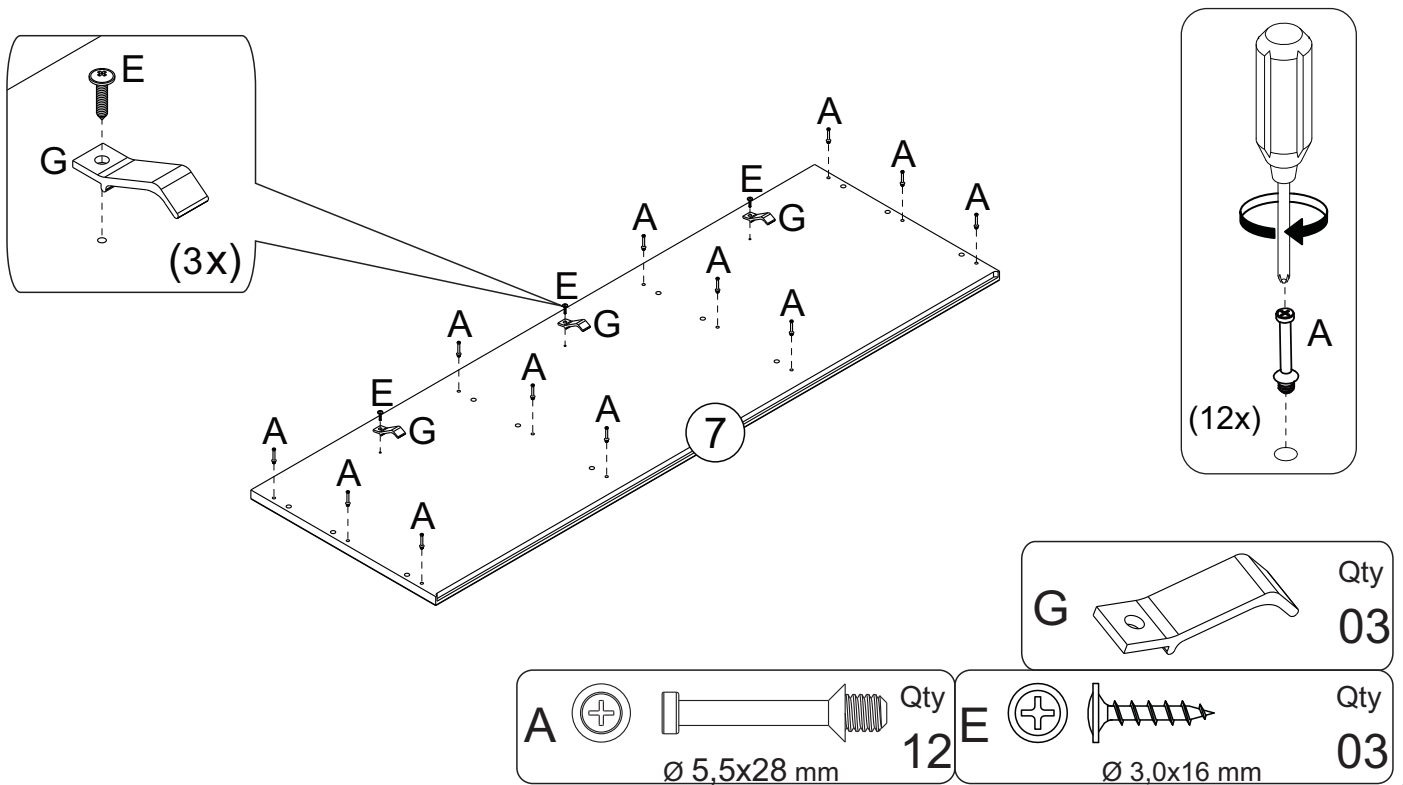
Philips head screwdriver required for assembly  
(not included)

*The hardware quantities listed above are required for proper assembly.  
Some extra hardware may also have been included.*

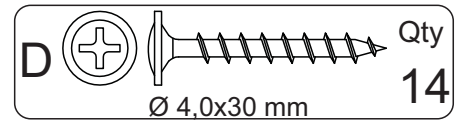
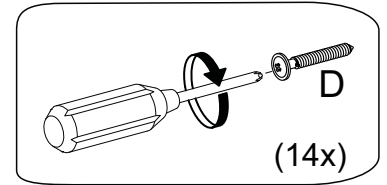
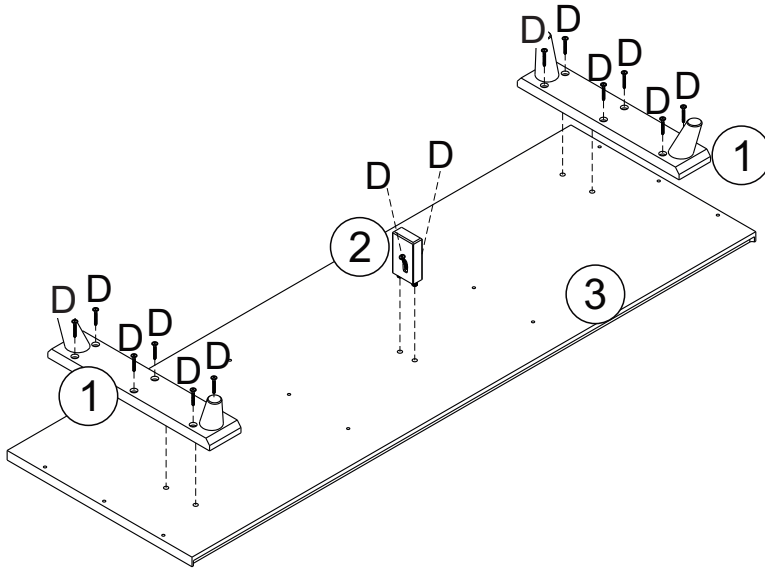
# Step 1



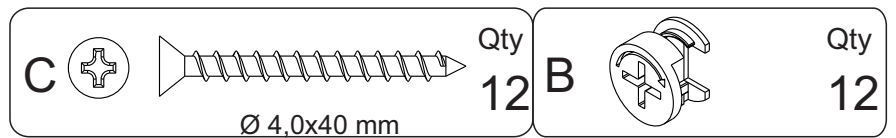
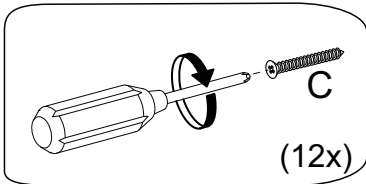
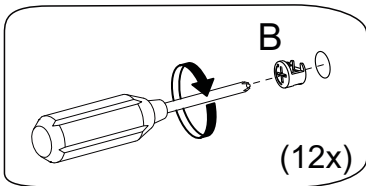
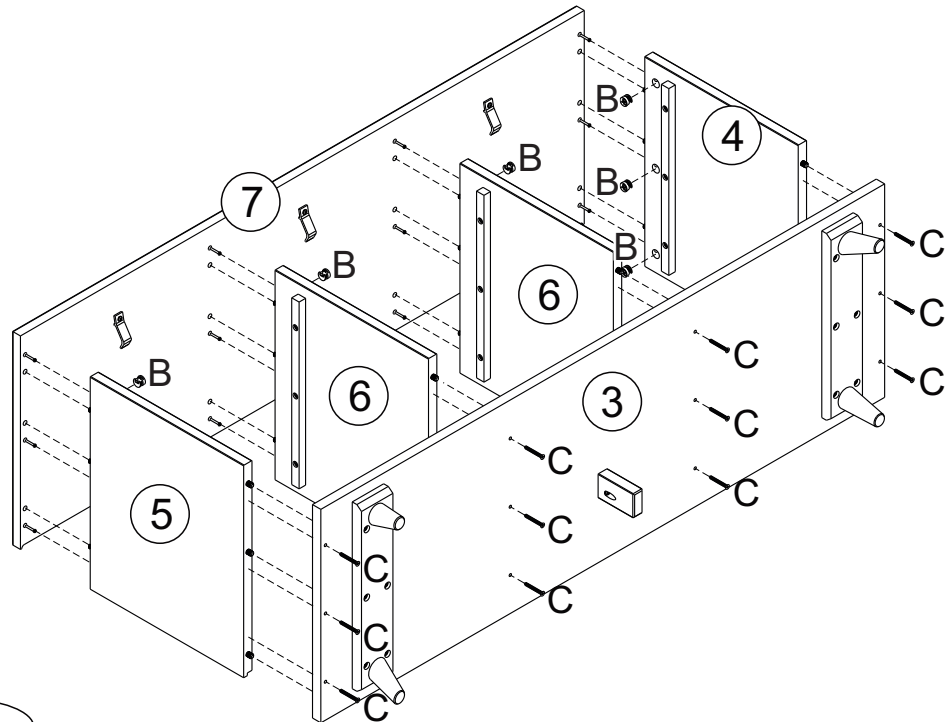
# Step 2



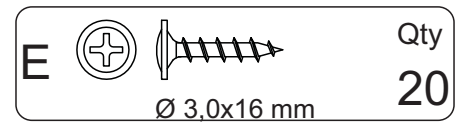
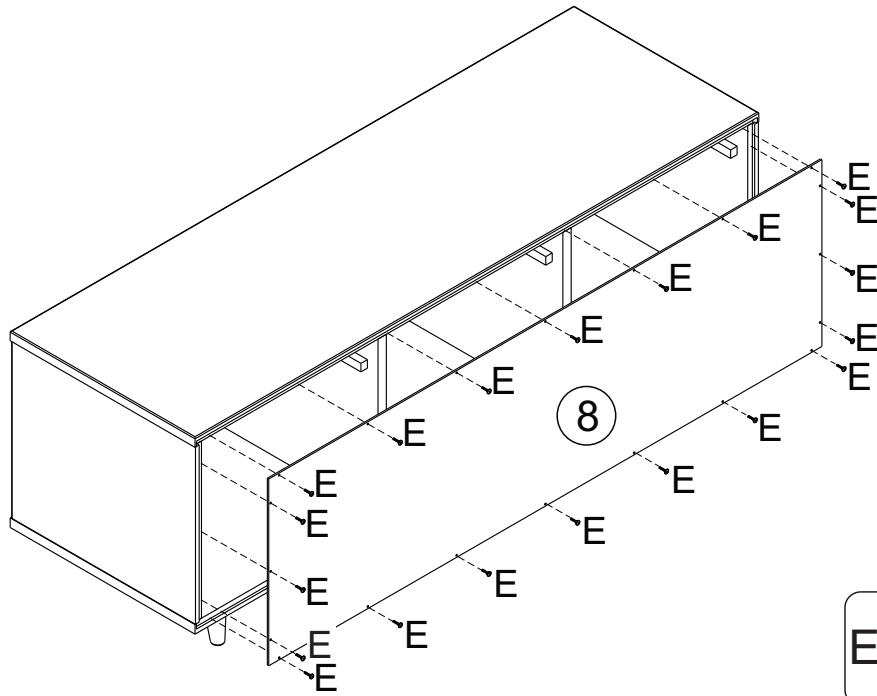
# Step 3



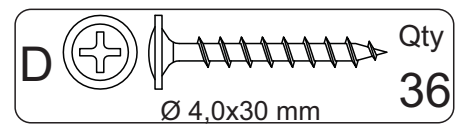
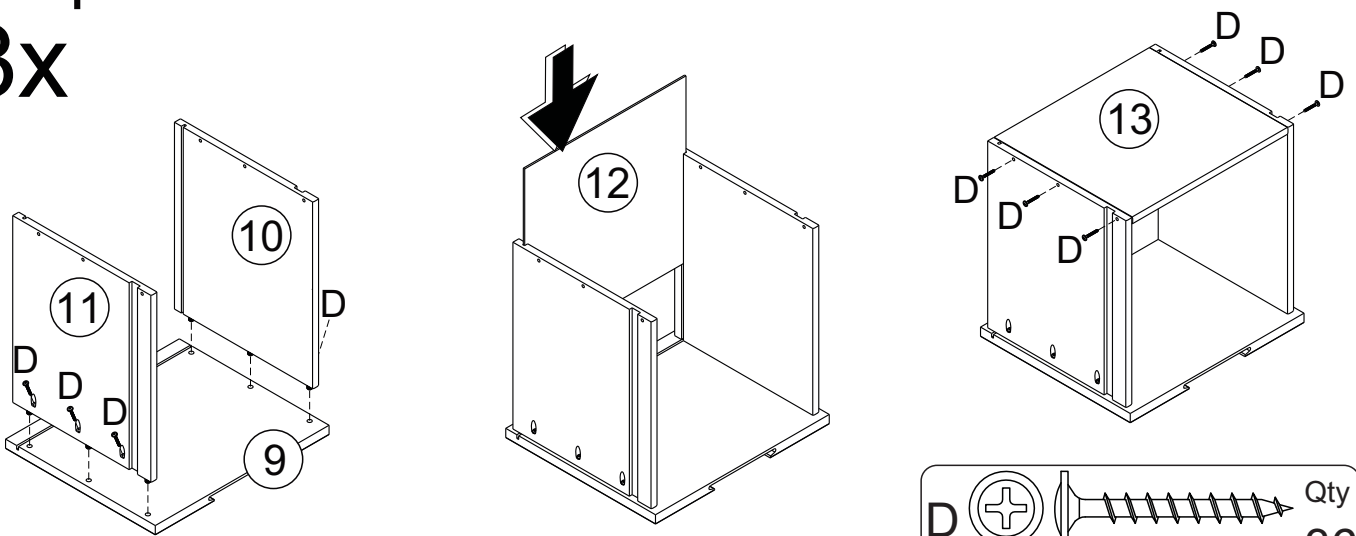
# Step 4



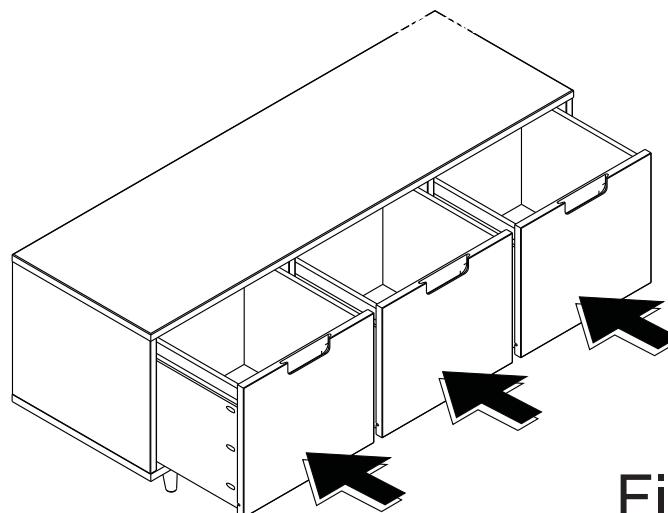
## Step 5



## Step 6 3x



## Step 7



Final Assembly