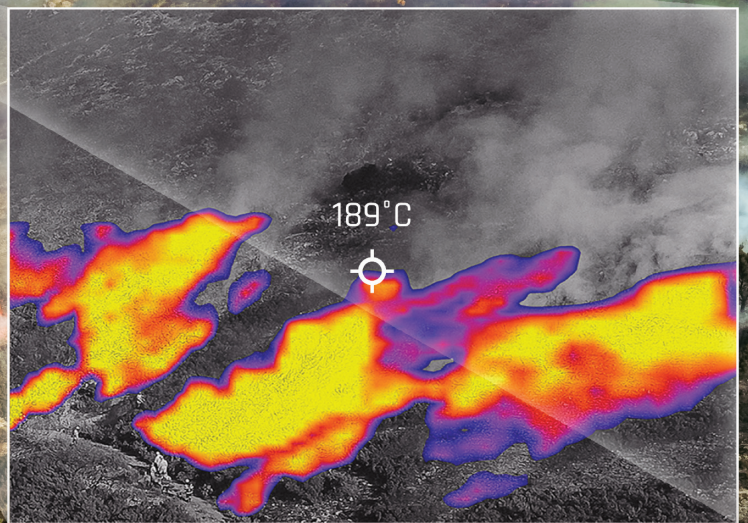


# ANAFI™

— T H E R M A L —

The ultra-compact, fully-integrated thermal drone



Thermal & visible  
imagery

Compact,  
yet powerful

Easy-to-use  
Solution

Parrot®



## THERMAL & VISIBLE IMAGERY

TWO INTEGRATED SENSORS WORKING IN FULL SYNCHRONIZATION

- FLIR radiometric thermal sensor<sup>1</sup>: 160x120 resolution, 57° HFOV, -10°C to +400°C temperature range
  - Sony Sensor<sup>2</sup> for visible images (RGB): 1/2.4" 21MP CMOS, 4K HDR video recording capabilities
- Blended thermal & RGB images in thermal view (temporal synchronisation of thermal & RGB images)
  - Record videos and capture pictures in thermal or visible formats (video quality: 1440x1080p in thermal view / 4K HDR in visible view)
- 3-axis hybrid stabilisation (2-axis mechanical combined with 3-axis digital stabilisation)
  - +/-90° = 180° camera tilt (Zenith to Nadir views)
  - Zoom function (3x digital zoom in thermal view)



## COMPACT & POWERFUL

OPTIMIZED PERFORMANCES IN AN ULTRA-PORTABLE SOLUTION

- All-in-one: everything you need in one solution
- Easy-to-carry solution in its compact shoulder bag which fits smartphones or tablets
  - Fast and easy to unfold drone for ultra quick set-up (less than 3 seconds)
- Ultra-compact, lightweight yet robust carbon-reinforced drone design
- Up to 26 minutes flight time per Smart Battery (3 smart batteries included)
  - USB-C on-the-go charging system (compatible with Powerbanks)
  - Multi-port USB charger to charge all 3 batteries together in 3h30
    - Perfect stability against winds of up to 50 km/h
    - Super quiet flights



## EASY-TO-USE

USER-FRIENDLY INTERFACE TO CAPTURE AND ANALYZE THERMAL AND RGB DATA

- Intuitive manual flight with FreeFlight 6 mobile app
- Easy dual-use of thermal & visible views in one app, on one screen
- Automatic scouting with FlightPlan<sup>3</sup>: autonomous flight made easier (to capture either thermal or RGB images)
- Compatible with Pix4Dcapture for optimal automatic RGB data acquisition
  - Smart RTH and Geofence for safer flights
- Direct in-app analysis of thermal images (videos & pictures) using FreeFlight 6:
  - In-app customized color palettes
  - Temperature of each point
  - Min and max temperature of each scene

1. FLIR is a registered trademark of FLIR® Systems, Inc

2. Sony is a registered trademark of Sony Corporation

3. FlightPlan is available at no additional cost within the FreeFlight 6.5 version when using an ANAFI Thermal



# TECHNICAL SPECIFICATIONS

## Drone

- Size folded: 218x69x64mm
- Size unfolded (propellers unfolded): 242x315x64mm
- Weight: 315g
- Max transmission range: 4km with Parrot SkyController 3
- Max flight time: 26min
- Max speed: 55km/h
- Max vertical speed: 4m/s
- Max wind resistance: 50km/h
- Service ceiling: 4.500m above sea level
- Operating temperature: -10°C to 40°C

## Sensors:

- GNSS: GPS + GLONASS
- Barometer and magnetometer
- Vertical camera and ultra-sound sensor
- 2x6-axis IMU
- 2x3-axis accelerometers
- 2x3-axis gyroscopes

## Controller

- Size folded: 94x152x72mm
- Size unfolded: 153x152x116mm
- Weight: 386g
- Transmission system: Wi-Fi 802.11a/b/g/n
- Operating frequencies: 2.4GHz – 5.8GHz
- Max transmission range: 4km
- Live streaming resolution: 720p (HD) 1280x720
- Battery capacity: 2,500mAh 3.6V
- Supported mobile devices:
  - Without tablet holder: screen size up to 6.2"
  - With tablet holder: screen size up to 10"
- USB ports: USB-C (charge), USB-A (connection)

## RGB camera

- Sensor: CMOS 1/2.4", 21MP
- LD-ASPH lens:
  - Aperture: f/2.4
  - Focal length: 26mm (equivalent 35mm)
- Depth of field: 1.5m to infinity
- Video format: MP4 (H264)
- Video resolution:
  - 4K Cinema (4096x2160 24fps)
  - 4K UHD (3840x2160 24/25/30fps)
  - FHD (1920x1080 24/25/30/48/50/60fps)
  - HD (1280x720 96/100/120fps)
- Video HFOV: 69°
- HDR: 4K UHD, 2.7K and 1080p videos, JPEG photos
- Digital zoom:
  - Lossless: up to x2.8 (FHD), up to x1.9 (2.7K), up to x1.4 (4K UHD)
  - Standard: up to 3x (all resolutions)
- Photo formats: JPEG, DNG (RAW)
- Photo modes: single, burst, bracketing, timer and panorama
- Photo resolution:
  - Wide: 21MP (5344x4016) / 4:3 / 84° HFOV
  - Rectilinear: 12MP (4000x3000) / 4:3 / 75.5° HFOV
- Shutter speed: 1 to 1/10000s
- ISO: 100 to 3200
- EV compensation: [-3, +3]
- Max video bitrate: 100Mbps

## Image stabilization

- 3-axis hybrid stabilization:
  - Mechanical: 2-axis (roll & pitch)
  - Electronic (EIS): 3-axis (roll, pitch & yaw)
  - Controllable tilt range: -90° to +90° (nadir to zenith)

## Thermal camera

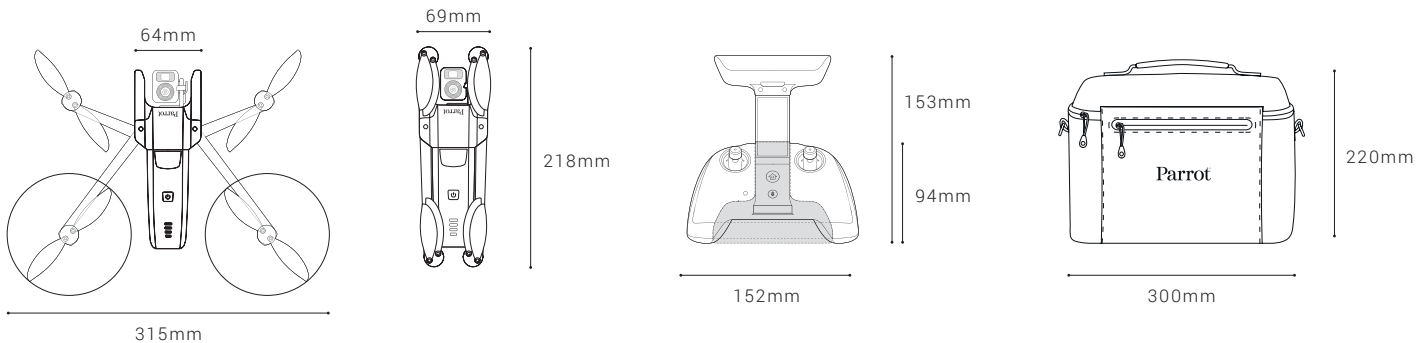
- Sensor: microbolometer FLIR LEPTON 3.5 (radiometric)
- Resolution: 160x120
- HFOV: 57°
- Pixel pitch: 12µm
- Spectral band: 8-14µm
- Photo format: JPEG
- Photo resolution: 3264x2448 (4/3)
- Photo modes: Single / Timelapse / GPS Lapse
- Video format: MP4 (H264)
- Video recording resolution: 1440x1080, 9fps
- Precision: ±5% max.(High-gain) or ±10% max.(Low-gain)
- Scene Dynamic Range: -10° à +140°C (High-gain) or -10° à +400°C (Low-gain)
- Video: MP4

## Smart battery

- Type: LiPo 2S
- Capacity: 2700mAh
- Voltage: 7.6V
- Weight: 124g
- Temperature range: -20°C / 60°C
- Charging time: 1h15
- Max charging power: 26.1W (3A \* 8.7V)

## Charger

- Power: 52 W
- Input AC: 100–240 V, 50–60 Hz, 1,5A (Max)
- Output:
  - 4x USB: DC 5V/6.8A (each 2.4A Max)
  - USB quick charge 3.0: DC 3.6V-6.5V/3A, 6.5V-9V/2A, 9V-12V/1.5A
- Energy efficiency: Level VI
- Dimensions: 95x28.8x61mm
- Weight: 200g
- AC Power Cords: US, EU, UK



## PACK CONTENT

- 1 ANAFI Thermal drone, 1 Parrot SkyController 3, 1 shoulder bag, 3 smart batteries, 1 multi-port USB charger, 1 tablet holder, 8 additional propeller blades & mounting tool, 16GB microSD card, 4 USB-A/USB-C cables