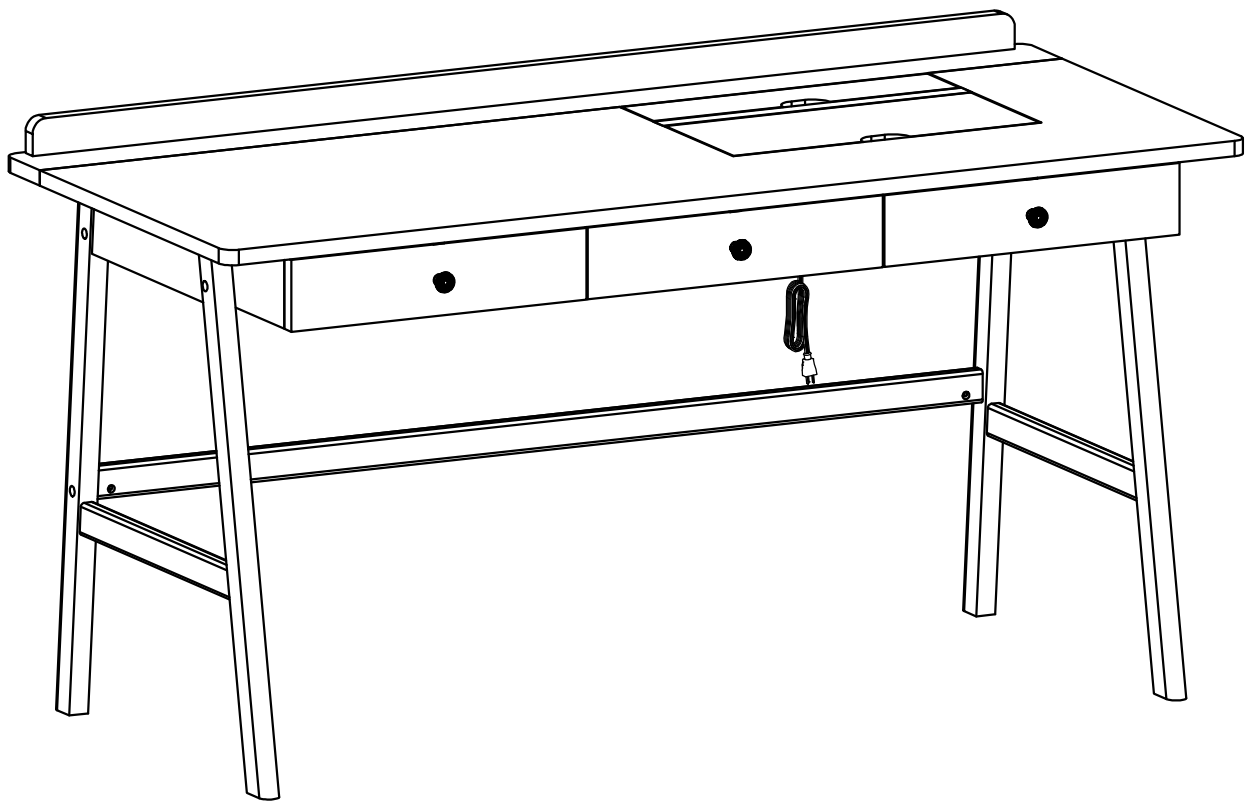


RYLIE / LISA / DANICA

DESK

MODEL # AXCRYL-14





Questions, problems, assembly help, missing parts?

No need to return the product, we will gladly help and ship your replacement parts free of charge

Please call Customer Service at 1-866-518-0120 ext. 262

Monday to Friday between 9 am –4 pm EST

or go to

www.simpli-home.com/parts request

In order to assist you in a timely manner, please have the following information ready:

Model # _____ Part Number or Letter _____

Purchased at _____ Date of Purchase _____

If you wish to return the product, please contact the retailer where the product was purchased.

IMPORTANT : Please read this manual carefully before beginning assembly of this product. Keep this manual for future reference.

SAFETY INFORMATION

Identify all the parts and hardware. Do not discard of the packaging until you have checked that you have all of the parts and hardware required. Hardware package may have spare parts.

WARNING: This item contains small parts which can be swallowed by children and pets. Keep children and pets away during assembly. To avoid danger of suffocation, always keep plastic bags away from children and pets. We recommend that you assemble this unit on a carpeted floor to avoid scratches. If using power tools, set the tool to low torque to avoid damage.

May require 2 people for ease of assembly.

IMPORTANT : Please read this manual carefully before beginning assembly of this product. Keep this manual for future reference.

CARE and MAINTENANCE

Perhaps the greatest environmental damage to wood furniture comes from wide swings in relative humidity (RH) in our homes. Wood absorbs and desorbs water as relative humidity rises and falls, and in doing so it swells and shrinks. Making matters worse, it expands and contracts unequally along different grain directions. As humidity changes, the components of wooden objects are continually pushing and pulling against each other. This pressure often results in parts of furniture no longer fitting together closely or becoming distorted or breaking from their own internal stresses.

The response to relative humidity changes begins with determining the annual average RH for your particular space. Then try to keep the RH in the space where your furniture is as close to that average as possible, generally within about 10% up or down. De-humidify in the summer and humidify in the winter.

Be aware that raising the temperature lowers the humidity and vice versa. Thus, modern heating systems, which can drive down interior RH in the winter, almost invariably cause problems for furniture. To counteract their effect, you can either modify the RH by keeping furniture containing spaces cooler in the winter or most importantly, have a good working humidifier for your home. A humidistat automatically works to balance the humidity in your home so it is constant. Dry indoor air can suck enough moisture from its surroundings to do permanent damage to wood, causing it to crack or split.

Remember, that not all woods are created equal. Two factors that help determine how rapidly a wood will lose moisture are pore size and surface hardness. A piece made from a dense and hard wood will dry less rapidly than pieces made from softer woods.

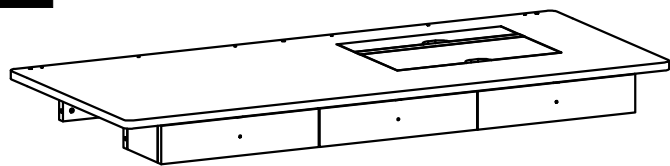
Furniture that is sealed and lacquered will lose moisture more slowly than an unfinished piece while pieces with veneer finishes are not only stronger, but lose moisture more slowly than other finishes.

To help protect your wood furniture, take these steps:

- Use a humidifier, preferably one with an automatic control system that can sense the humidity level and adjust itself accordingly. Don't over-humidify; that can damage wood by causing it to expand and contract.
- Keep furniture out of direct sunlight, which can cause it to dry out, crack and warp.
- If you can avoid it, don't put furniture near heating vents. If you must, keep the piece 3 to 4 inches away from the wall, giving the heat and air space to circulate.
- Dust with soft dry cloth.
- Do not use liquid or aerosol products.
- To avoid marking, do not place rubber on surface (foot pads, etc.)
- For soil build-up, wipe with damp cloth & dry.
- Do not use abrasive cleaners.

PART DESCRIPTION

A



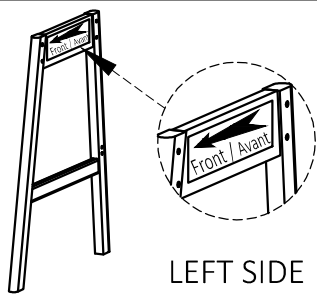
TOP
QTY 1

B



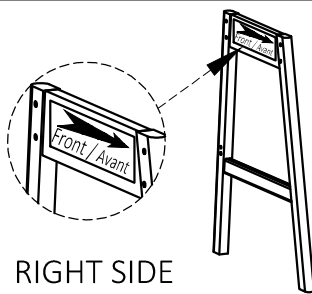
TOP BAR
QTY 1

CL



LEFT SIDE
QTY 1

CR



RIGHT SIDE
QTY 1

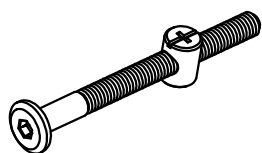
D



BACK SUPPORT BAR
QTY 1

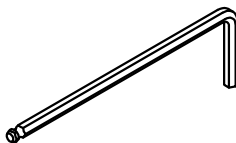
HARDWARE DESCRIPTION

1



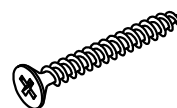
ALLEN KEY BOLT & CROSS NUT
M6 X 60mm
QTY 10 SETS

2



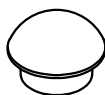
ALLEN KEY
QTY 1

3



PHILLIPS SCREW
M4 X 35mm
QTY 6

4



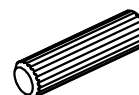
WOOD BOLT CAPS
QTY 10

5



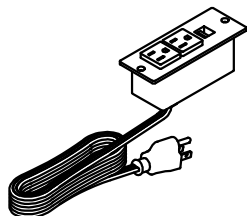
HANDLE
M4 X 25 mm
QTY 3 SETS

6



WOOD DOWEL
Ø8 X 30mm
QTY 5

7

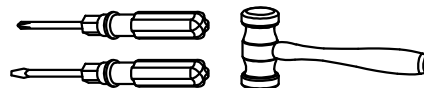


POWER CENTER
QTY 1

8

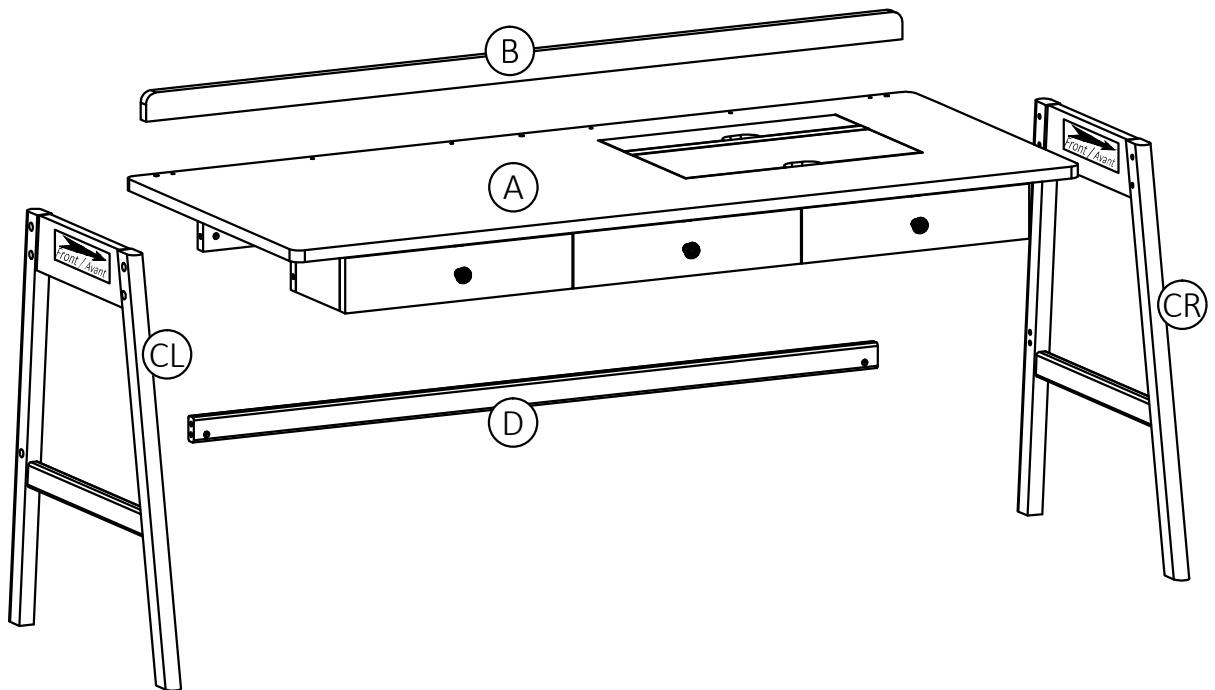


PHILLIPS SCREW
M3 X 15mm
QTY 2

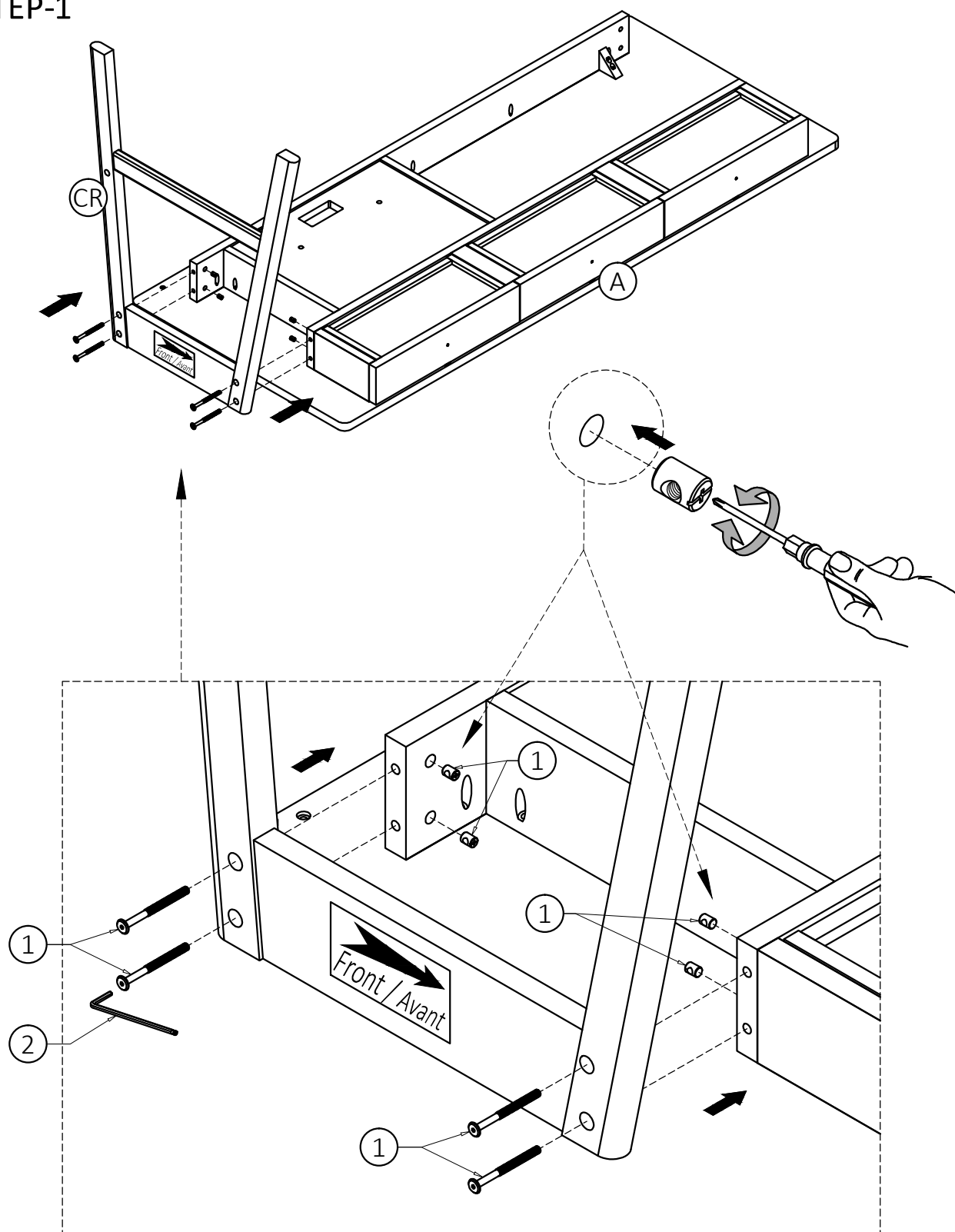


Required -
Flathead screwdriver
Phillips screwdriver
Rubber mallet
Not Included

NEED HELP? For help with assembly or if you are missing a part,
Please call customer service at 1-866-518-0120 ext. 262 (9 am to 4 pm EST)

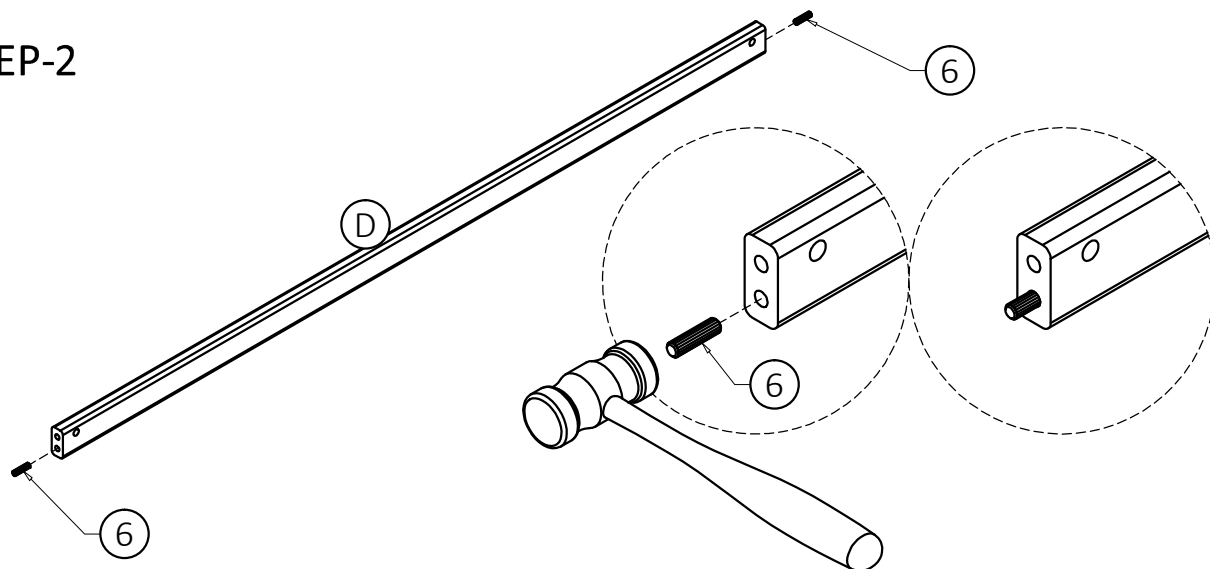


STEP-1



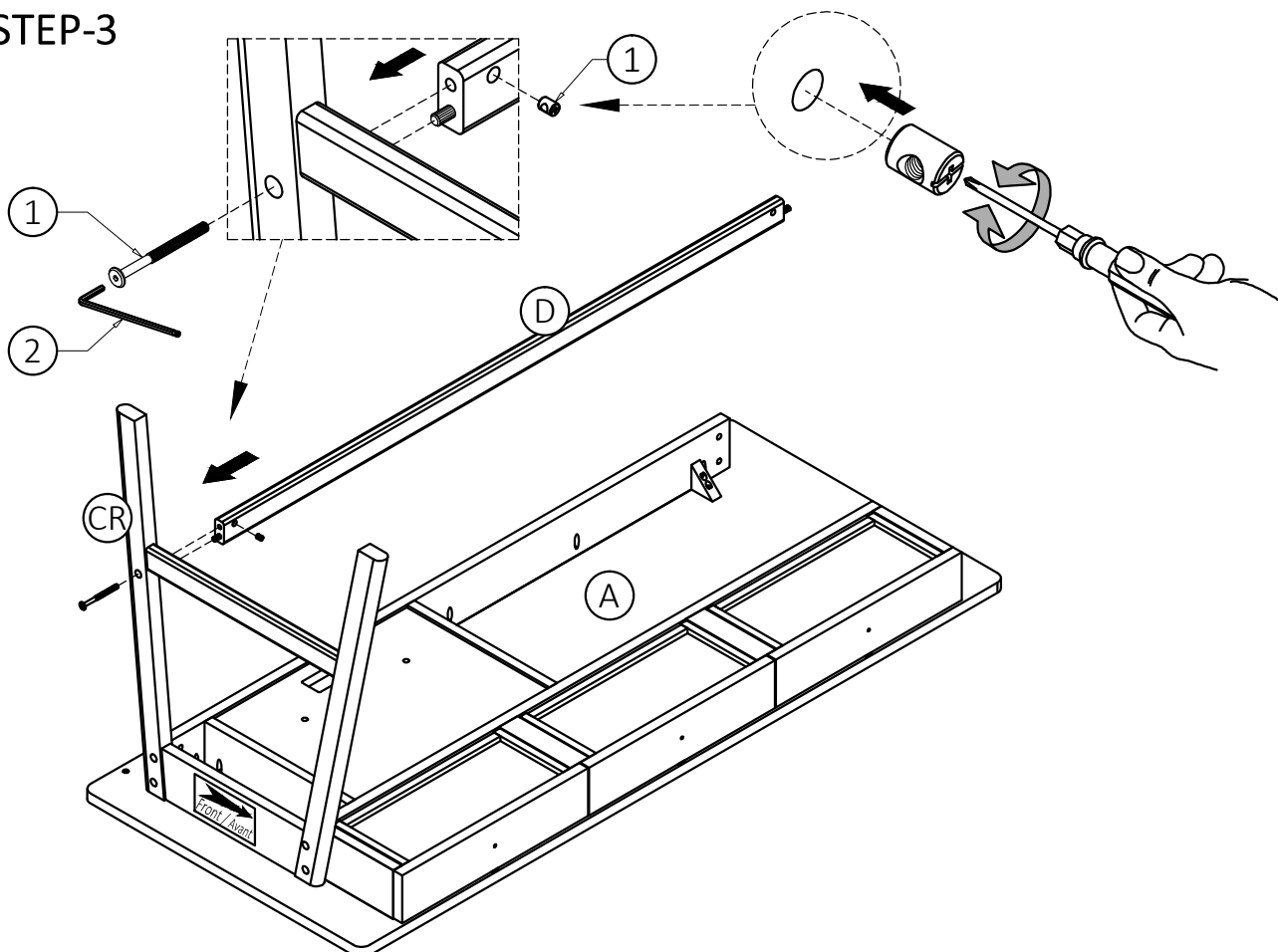
1. Insert Cross Nuts ① into guide holes in Top ① with the slot facing out. Use a flathead Screwdriver to turn it to align with the Bolts ①.
2. Use Allen Key ② to tighten Bolts. Do not over-tighten

STEP-2



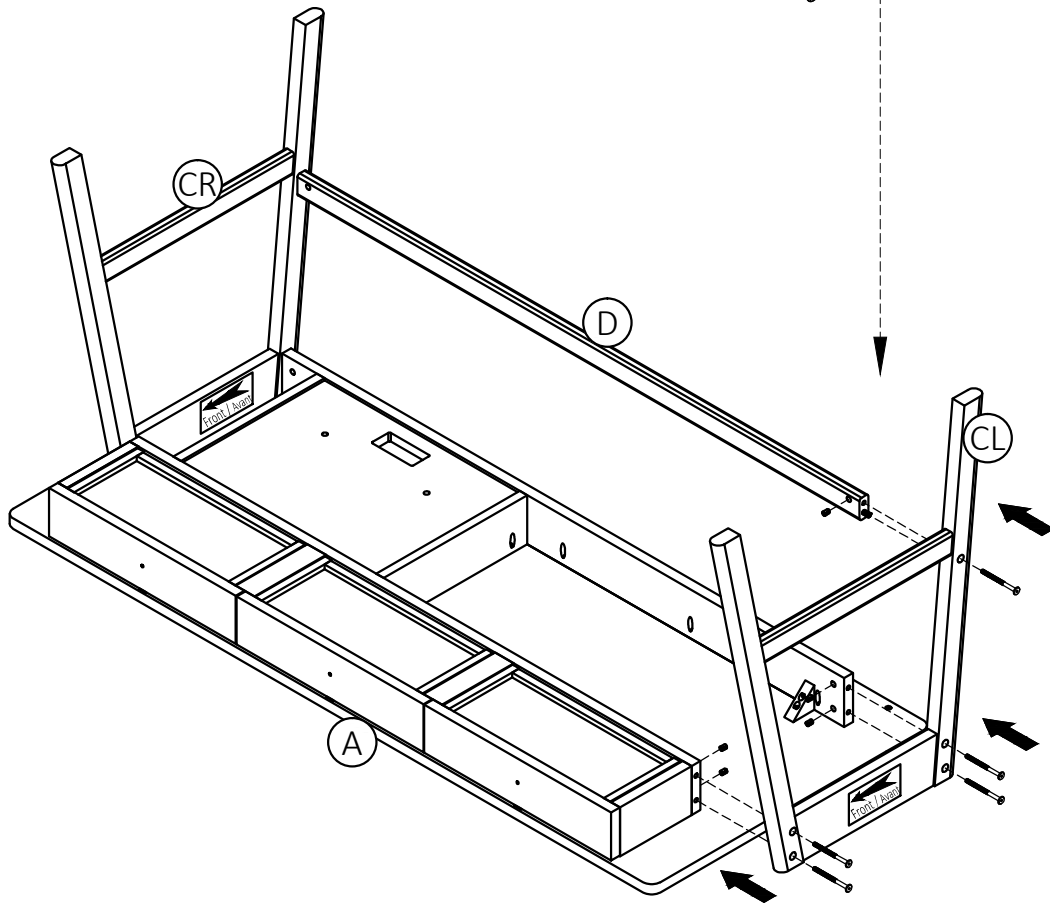
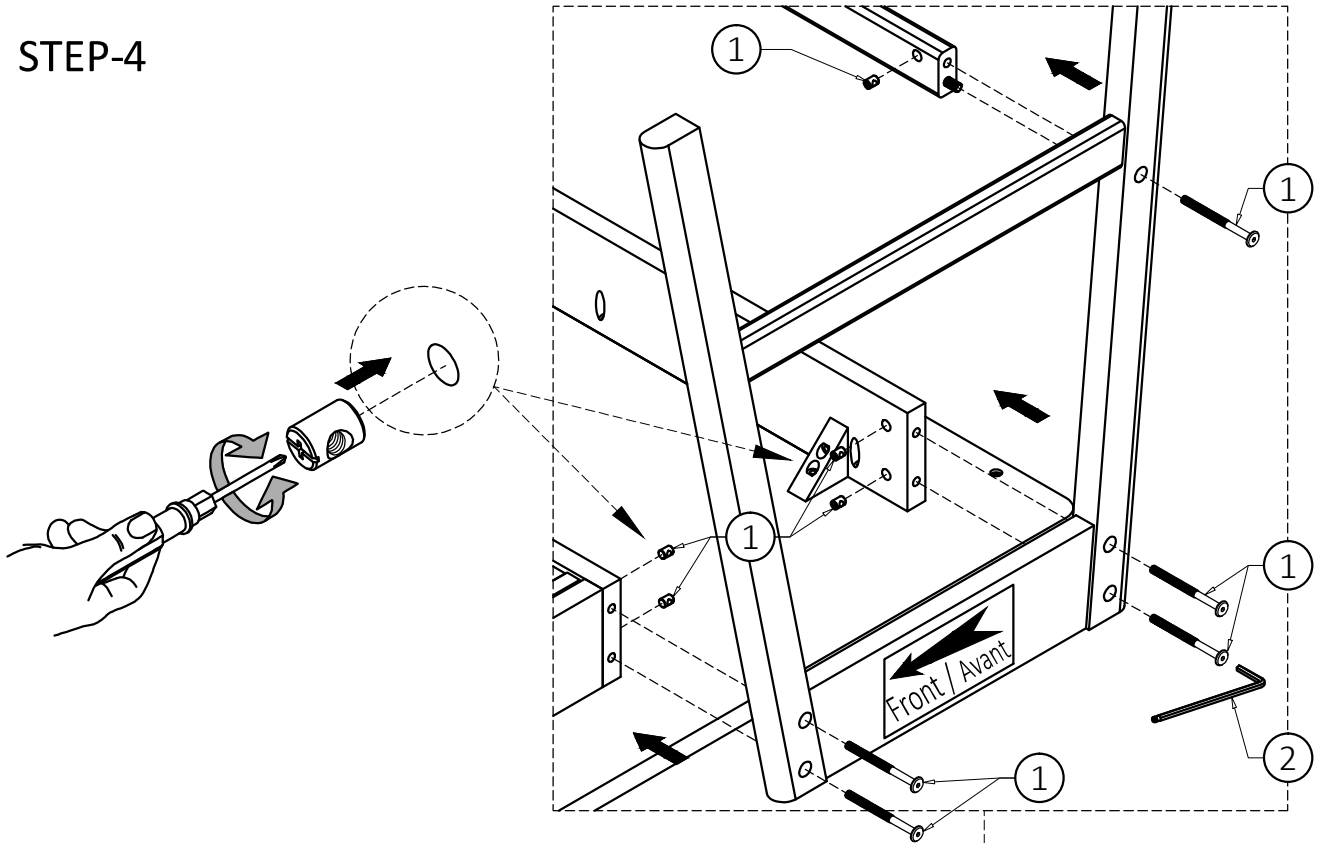
1. Insert two Dowels (6) into guide holes on Back Support Bar (D).
2. Use rubber mallet to tap Dowels (6) into bottom of holes securely. 1/2 length of Dowels should be exposed.

STEP-3



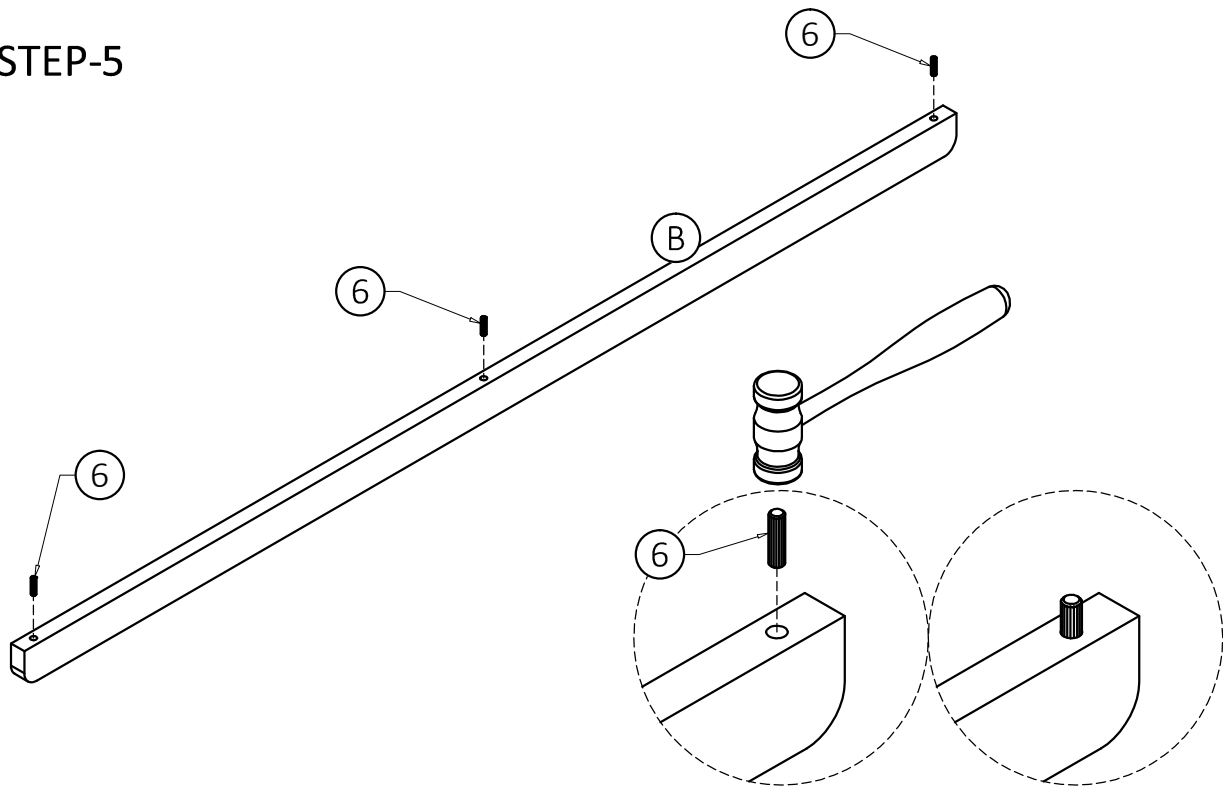
1. Align guide holes on Right Side (CR) with Dowel on Back Support Bar (D).
2. Insert Cross Nuts (1) into guide holes in Back Support Bar (D) with the slot facing out. Use a flathead Screwdriver to turn it to align with the Bolt (1).
3. Use Allen Key (2) to tighten Bolts.

STEP-4



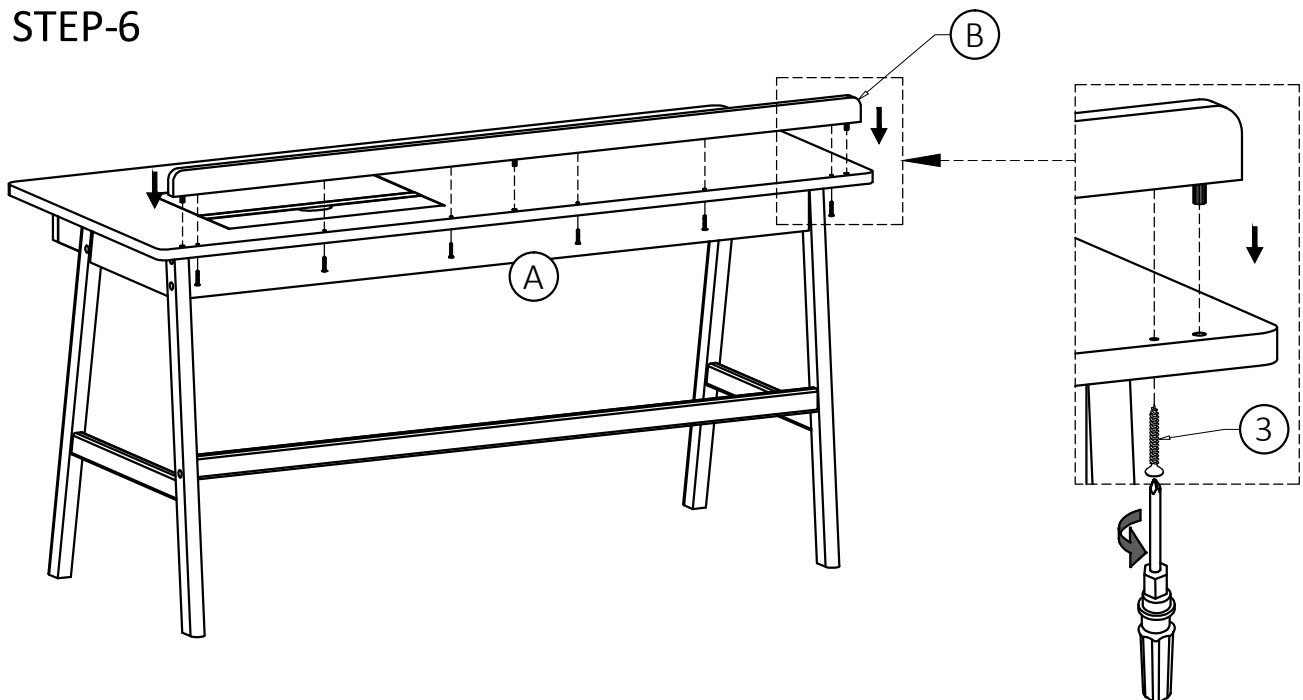
Repeat Step 1 & Step 3 for Left Side (CL).

STEP-5



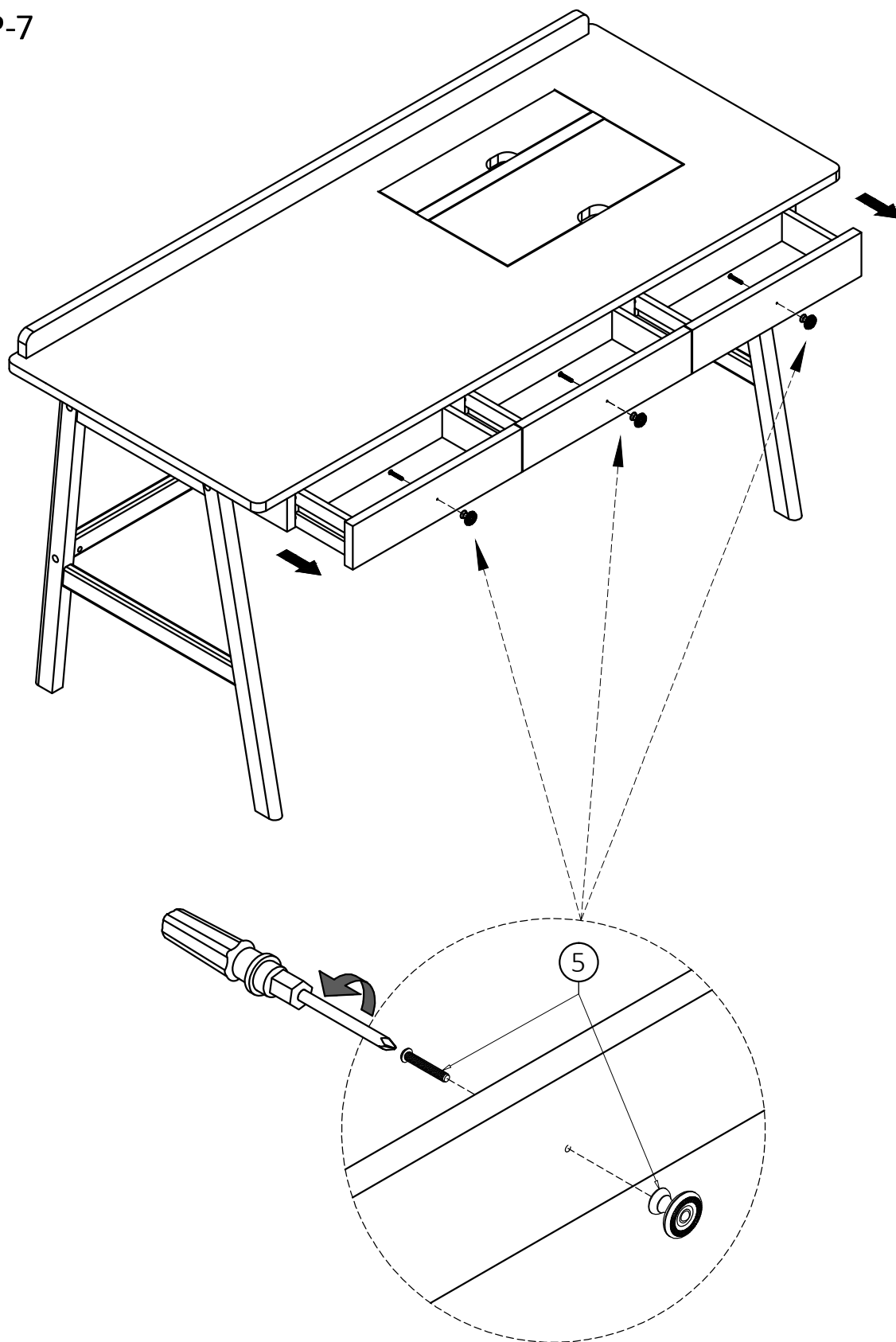
1. Insert three Dowels (6) into guide holes on Top Bar (B).
2. Use rubber mallet to tap Dowels (6) into bottom of holes securely. 1/2 length of Dowels should be exposed.

STEP-6



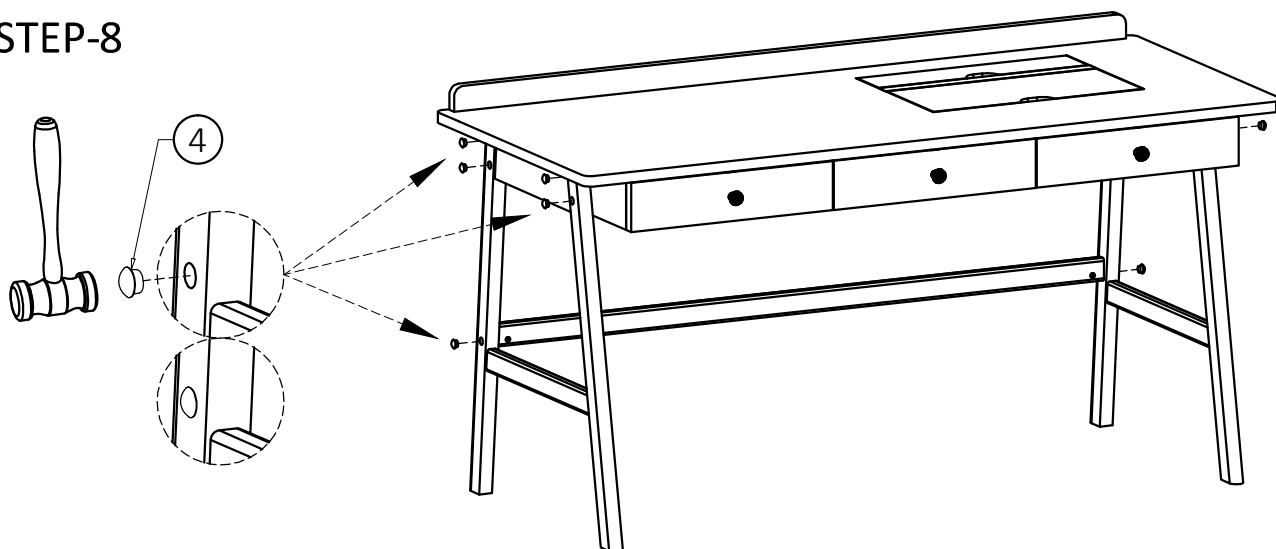
1. Align Wood Dowels with guide holes on Top (A) and attach Top Bar (B) to Top (A).
2. Use six phillips Screws (3) to attach Top Bar (B) through guide holes.
3. Use Phillips screwdriver to tighten Screws. Do not over-tighten.

STEP-7



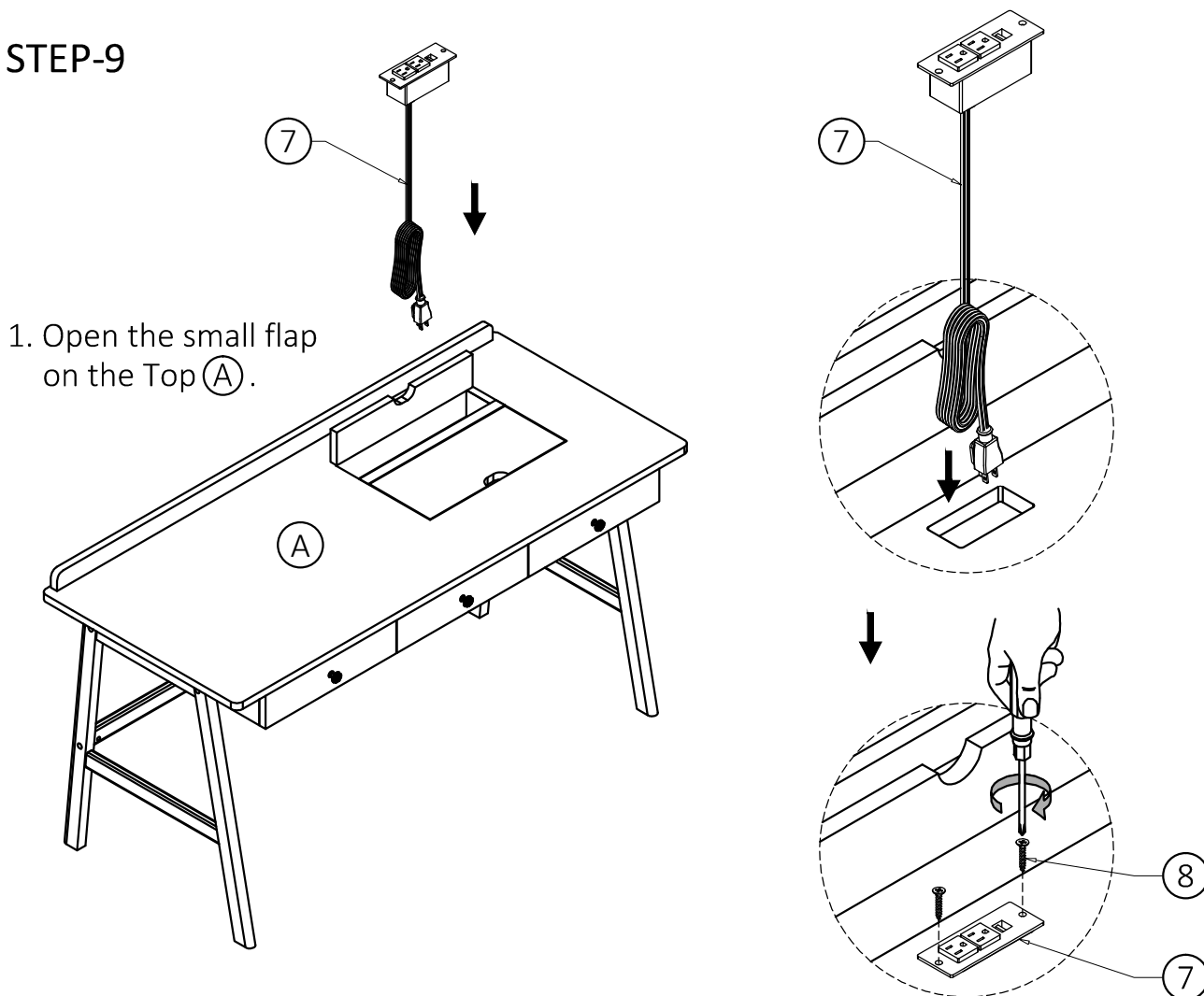
1. Use Phillips screwdriver to attach Handles (5) to each drawer front .

STEP-8



1. Insert Bolt Caps (4) into exposed bolt holes on each Side (CL, CR).
2. Use rubber mallet to tap Bolt Caps (4) into guide holes securely.

STEP-9



1. Open the small flap on the Top (A).

2. Insert the Power Center (7) into the small flap on Top (A).
3. Use two Phillips Screw (8) to secure the Power Center (7) to Top (A).
4. Use Phillips screwdriver to snugly tighten Screws. Do not over-tighten.

GARANTIE

Nous vous remercions d'avoir choisi un produit **Simpli Home – Wyndenhall – Brooklyn + Max**. Ces produits ont été fabriqués conformément à des normes de qualité exigeantes et sont garantis pour l'utilisation domestique contre tout défaut de fabrication, et ce, pour une période de 12 mois à compter de la date d'achat. Cette garantie n'a pas d'incidence sur vos droits légaux.

En cas de mauvais fonctionnement de votre produit (défaut, pièces manquantes, etc.), veuillez nous contacter sur notre ligne sans frais au 1-866-518-0120 poste 262, de 9 h à 16 h, du lundi au vendredi, heure de l'Est ou par courriel à l'adresse customerservice@simpli-home.com.

Nous nous réservons le droit de réparer ou remplacer le produit défectueux, à notre entière discrétion.

Ce produit est garanti pour une période de 12 mois, s'il est utilisé dans des conditions normales. Toute réclamation en vertu de la garantie sera nulle si le produit a été surchargé ou a fait l'objet d'une négligence, d'un abus ou une tentative de réparation par une autre personne qu'un agent agréé. La garantie ne sera pas honorée en cas d'une utilisation excessive ou à des fins professionnelles ou commerciales.

Conformément à notre politique d'amélioration continue, nous nous réservons le droit de modifier les spécifications du produit sans préavis.