

30-Inch Column Refrigerator



DRR30980LAP/DA — Panel ready, left hinge
DRR30980RAP/DA — Panel ready, right hinge

Features & Benefits

- SteelCool™ full stainless steel interior
- iQ Remote View™ cameras
- LED 3D Lighting
- Hidden Touch Control Panel with SmartThings Wi-Fi connectivity
- Push-to-Open Door
- FreshZone™ drawer
- Internal water dispenser
- R600a refrigerant
- Panel ready

Weights & Dimensions

NET WEIGHT (LBS)	472
SHIPPING WEIGHT (LBS)	543
PRODUCT DIMENSIONS (W X H X D IN INCHES)	29 3/4 x 83.38 x 25
FLUSH CUTOUT REQUIRED (W X H X D IN INCHES)	30 x 84 x 25

Technical Details

ELECTRICAL REQUIREMENTS	115V, 60 Hz, 15A
--------------------------------	------------------

Warranty

FULL COVERAGE	2 years
SEALED SYSTEM, PARTS & LABOR	6 years
SEALED SYSTEM, PARTS ONLY (COMPRESSOR INCLUDED)	10 years

Controls

CONTROL TYPE	Easy reach hidden Glass-Touch
WI-FI + SMARTTHINGS	Yes
SABBATH MODE	Yes

Features

TOTAL CAPACITY (CU. FT.)	17.8
PUSH-TO-OPEN	Yes
WATER DISPENSER	Internal water dispenser
iQ REMOTE VIEW™ CAMERA	Yes
DEODORIZING FILTER	Yes
LED LIGHTING	3D Lighting
INTERIOR MATERIAL	SteelCool™ (Full stainless steel walls)
DIGITAL INVERTER COMPRESSOR	Yes
REFRIGERANT	R600a
CRISPER DRAWERS	2
DOOR BINS	4
SHELVES	4
DOOR ALARM	Yes

Refrigerator

REFRIGERATOR CAPACITY (CU. FT.)	17.8
REFRIGERATOR TEMPERATURE	34°F to 44°F
FRESHZONE™ DRAWER TEMPERATURE	29°F, 33°F, 37°F
DEDICATED EVAPORATOR & COMPRESSOR SYSTEM	Yes
POWER COOL	Yes
FRESHZONE™ DRAWER	Yes

Accessories (Optional)

Please see page 11 of Reference Guide for a full list of accessories

RAC30AMLHSR/DA	30" panel kit, Silver Stainless, left
RAC30AMRHSR/DA	30" panel kit, Silver Stainless, right
RAC30AMLHMS/DA	30" panel kit, Graphite Stainless, left
RAC30AMRHMS/DA	30" panel kit, Graphite Stainless, right
RACOOWFAAAA/DA	Water filter for refrigeration
RACOODFAAAA/DA	Air filter for refrigeration DRF/DRR/DRW, set of 6
RACOOTCAAAA	Install kit for triple built-in refrigeration
RACOOCFAAAA/DA*	Install kit to pair built-in refrigeration

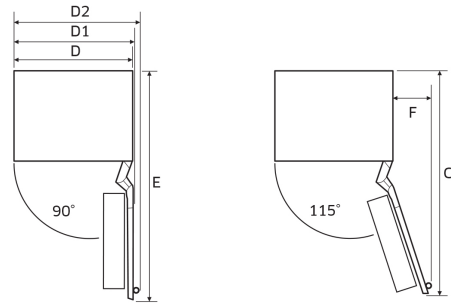
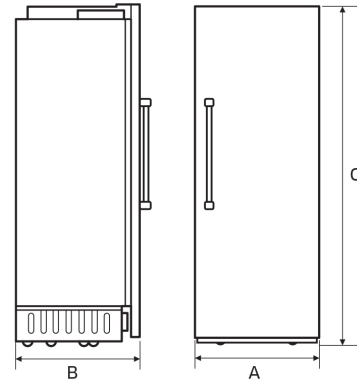
*2x needed for triple install.

30-Inch Column Refrigerator



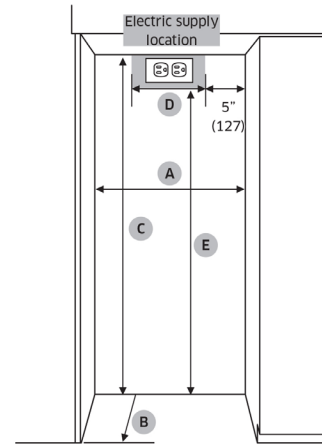
Product Dimensions

A - WIDTH (IN/MM)	29 3/4 / 756
B - WIDTH PANEL (IN/MM)	25 / 635
C - HEIGHT (IN/MM)	83 3/8 / 2118
D - (IN/MM)	29 5/8 / 752
D1 - WITH PANEL (IN/MM)	30 7/8 / 784
D2 - WITH MODERNIST HANDLE (IN/MM)	32 3/4 / 832
E - (IN/MM)	56 11/16 / 1440
F - (IN/MM)	16 9/16 / 421
G - (IN/MM)	55 5/16 / 1404



Installation Cutout Dimensions

A - WIDTH (IN/MM)	30 / 762
B - DEPTH (IN/MM)	25 / 635
C - HEIGHT (IN/MM)	84 / 2134
D - (IN/MM)	20 / 508
E - (IN/MM)	80 / 2032



Water Supply Connection Requirements

A - (IN/MM)	6 / 154
--------------------	---------

