

PMON-7044-AHD



# 7" Dash Mount 4 Input AHD Monitor User Manual



# Installation Guide



**PMON-7044-AHD**

7" Dash Mount 4 Input AHD Monitor

## Introduction

**Thank you for purchasing your EchoMaster automotive monitor.**

Your monitor displays clear, Analog High Definition (AHD) camera images of the area surrounding your vehicle, meaning your maneuvering and vehicle awareness will be greatly improved.

Please ensure you read and understand all aspects of this manual before fitting or using your EchoMaster AHD monitor.

## Box Contents

- ▶ User Guide
- ▶ AHD Monitor
- ▶ Mounting Bracket
- ▶ Sunshade
- ▶ Main Harness
- ▶ Adapter Harness
- ▶ Remote Control
- ▶ Allen Key

## Key Features

- ▶ 7" High Definition Display
- ▶ Quad AHD video inputs
- ▶ 4 trigger wires
- ▶ Multiple split screen options
- ▶ GX16 connectors
- ▶ Supports CVBS & 720p AHD video formats
- ▶ 1 Audio Input

## PMON-7044-AHD

7" Dash Mount 4 Input AHD Monitor



## Fitting Instructions

Choose a suitable mounting location dependent on the application. This location should not interfere with the driver's normal vision of the road. Ensure that there are no wiring harnesses or hoses/pipes located behind this panel before drilling any holes.

Tap the mounting area using masking tape and then mark the mounting holes with a pen. You can also mark the hole for the cable entry at this time if required.

Drill the mounting holes and cable entry holes.

If the cable passes through any metal then the hole should be protected with a suitable rubber grommet.

Mount the monitor bracket and run the cable through the grommet.

Loosely attach the monitor to the bracket with the supplied bolts but do not tighten until the image has been checked to ensure the correct viewing angle.

Make all required connections as per the wiring diagram in this manual.

Verify that the image is correct and that the viewing angle is good.

Secure all bolts.

# Installation Guide



**PMON-7044-AHD**

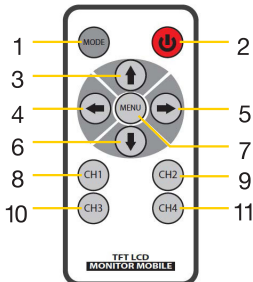
7" Dash Mount 4 Input AHD Monitor

## Button Reference (Monitor)



- |                      |                     |
|----------------------|---------------------|
| 1. Sunshade Mounts   | 7. CH3 / Down Arrow |
| 2. Mounting Bracket  | 8. CH4 / Up Arrow   |
| 3. MENU Button       | 9. MODE Button      |
| 4. CH1 / Left Arrow  | 10. IR for Remote   |
| 5. CH2 / Right Arrow | 11. Adjustment Knob |
| 6. POWER Button      |                     |

## Button Reference (Remote)



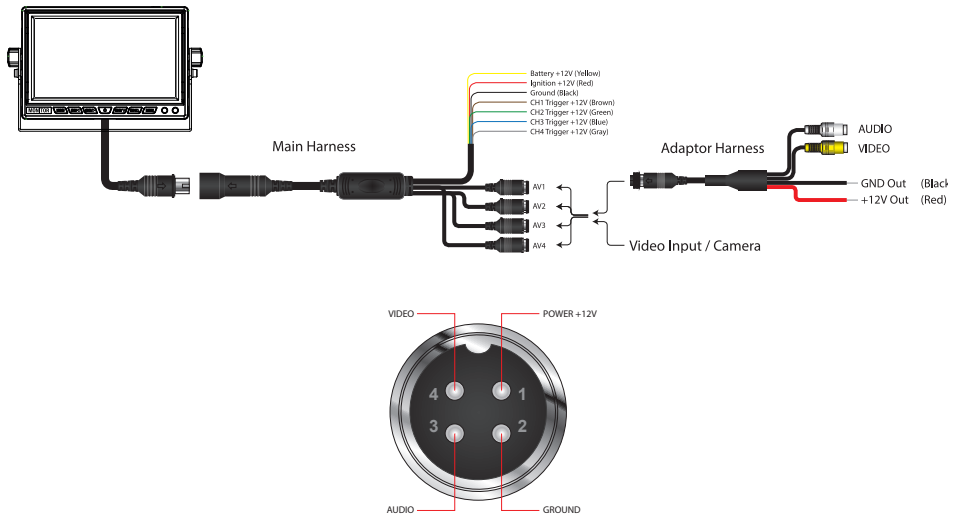
- |                |         |
|----------------|---------|
| 1. MODE        | 7. MENU |
| 2. POWER       | 8. CH1  |
| 3. Up Arrow    | 9. CH2  |
| 4. Left Arrow  | 10. CH3 |
| 5. Right Arrow | 11. CH4 |
| 6. Down Arrow  |         |

## PMON-7044-AHD

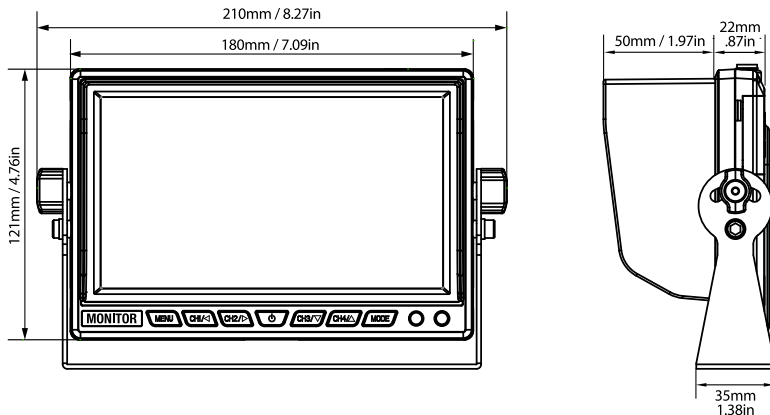
7" Dash Mount 4 Input AHD Monitor



## Wiring Diagram & Pin Out



## Dimensions (mm/in)





## Operating Instructions

### Power

To turn the monitor ON and OFF use the POWER button. The monitor has a last state memory function. If the monitor was in standby mode when the Ignition supply was turned off, the monitor will turn on next time in standby mode, if the monitor was ON when the Ignition supply was turned off, it will power to ON when the Ignition supply is next applied.

### Channel Selection

Press any of the CH buttons to view that image in full screen. Press the MODE button to cycle through all multi-image view options. The monitor also has 4 trigger input wires, if any of these wires receive a trigger input, the channel corresponding will be selected. (Refer to wiring diagram for wire color and channel definition).

### Audio

The audio from CH1 input will always be heard irrespective of which channel or channels are being displayed on screen. The volume adjustment for this is in the menu settings.

Press the MENU button to access the adjustable features of the monitor. Use UP/DOWN arrows to scroll through Image, Sound, Delay, Function and DVR options. Press RIGHT arrow to access sub-menu options. Press LEFT/RIGHT to adjust and then MENU or Right Arrow to set options.

Options will highlight orange when selected

## PMON-7044-AHD

7" Dash Mount 4 Input AHD Monitor



## Menu Options

### Image

#### Picture Mode

Bright - Standard - Soft - User [Brightness/Contrast/Hue/Saturation]

### Sound

**Volume** [0-100 / Default: 50]

### Delay

Adjust the delay time for the monitor to switch back to the regular image after a trigger has been detected and removed.

**AHD1 Delay** [0-15 seconds / Default: 0]

**AHD2 Delay** [0-15 seconds / Default: 0]

**AHD3 Delay** [0-15 seconds / Default: 0]

**AHD4 Delay** [0-15 seconds / Default: 0]

### Function

**Language** [8 languages / Default: English]

#### OSD Setting

OSD Timeout [5-60 seconds / Default: 10]

OSD Transparency [0-4 seconds / Default: 0]

**Blue Screen** [Off/On / Default: OFF]

**Up-Down** Flip screen vertically [Off/On / Default: OFF]

**Left-Right** Flip screen horizontally [Off/On / Default: ON]

**Reset** [Press RIGHT to Reset]



## Menu Options (continued)

### DVR Setup

*Set Mirror/Non-Mirror option for CH1-CH4*

**AHD1 Mirror** [Off/On / Default: OFF]

**AHD2 Mirror** [Off/On / Default: OFF]

**AHD3 Mirror** [Off/On / Default: OFF]

**AHD4 Mirror** [Off/On / Default: OFF]

*Sets Reversing option for CH1-CH4*

**AHD1 Reversing** [Off/On / Default: OFF]

**AHD2 Reversing** [Off/On / Default: OFF]

**AHD3 Reversing** [Off/On / Default: OFF]

**AHD4 Reversing** [Off/On / Default: OFF]

**Reversing Priority** [Off/On / Default: OFF]

**AHD OSD Display** [Ahd1-4, Cam1-4, Position, Off / Default: Ahd1-4]

**AHD Signal** [4x720P, 4x720N, 4xCvbs P, 4xCvbs N, 2x720-2xCvbs P,  
2x720-2xCvbs N, 2xCvbs-2x720 P, 2xCvbs-2x720 N /  
Default: 4x720N]

## PMON-7044-AHD

7" Dash Mount 4 Input AHD Monitor



## Specifications

PMON-7044-AHD	
Screen Size	7"
Aspect Ratio	16:9
Power Supply	12V-24V
Resolution	1024xRGBx600
Luminance	300 cd/m2
Contrast	500:1
TV Format	PAL/NTSC
OSD Languages	8
Video Inputs	4
Audio Inputs	1
Triggers	4
Current Draw	750 mA
Operating Temperature	-20~+60 °C
Video Support	720P AHD / CVBS
Parking Guidelines	NO
Dimemnsions (mm/in)	180 x 121 x 24 / 7 x 5 x 1
Connection Type	4 PIN GX12 / RCA

# Installation Guide



# Installation Guide





email - [support@aampglobal.com](mailto:support@aampglobal.com)  
tel - 866-931-8021



EchoMaster is a Power Brand of AAMP Global  
**EchoMaster.com**

REV 110619