

SONANCE

SOUNDBAR BRACKET WALL MOUNT QUICKSTART GUIDE

SOUNDBAR MODELS: SB46-55 | SB46-65 | SB46-75 | SB46-85
ADJUSTABLE WIDTH SOUNDBAR MODELS: SB46 L | SB46 M

SB46 M

24 lbs. For displays 50"- 65" (1270mm to 1651mm)

SB46 L

29 lbs. For displays 70"- 80" (1778mm to 2032mm)

SB46-55

28 lbs. For 55" displays

HxDxW: 5 9/32" (134mm) x 2 9/16" (65mm) x 48"
(1219.2mm)

SB46-65

30 lbs. For 65" displays

HxDxW: 5 9/32" (134mm) x 2 9/16" (65mm) x 56.25"
(1428.8mm)

SB46-75

33 lbs. For 75" displays

HxDxW: 5 9/32" (134mm) x 2 9/16" (65mm) x 65"
(1651mm)

SB46-85

35 lbs. For 85" displays

HxDxW: 5 9/32" (134mm) x 2 9/16" (65mm) x 73.75"
(1873.3mm)

**NOTE: VERIFY WALL MOUNT WILL SUPPORT
COMBINED WEIGHT OF DISPLAY AND SOUNDBAR.**

BOX CONTENTS

- (1) Quickstart Guide
- (1) Soundbar
- (2) Flat Soundbar Connectors
- (2) Display Attachment Rails
- (2) Keyhole Wall Mounts
- (1) Keyhole Wall Mount Template
- (2) Recessed Soundbar Connectors
- (2) Display Spacers
- (1) 6-Pin Block Connector
- (2) Black Opaque Strips
(included with adjustable width
soundbars only)

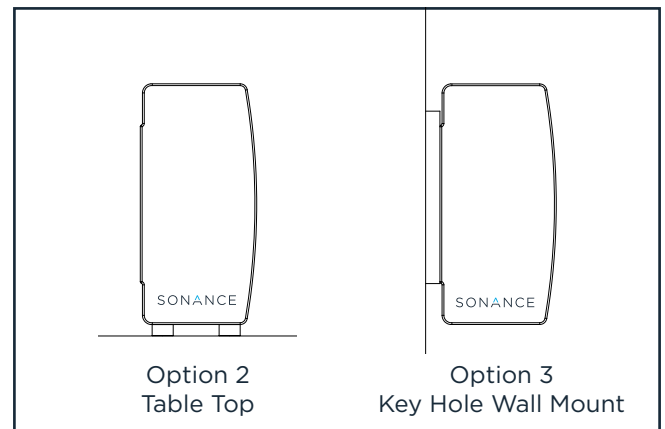
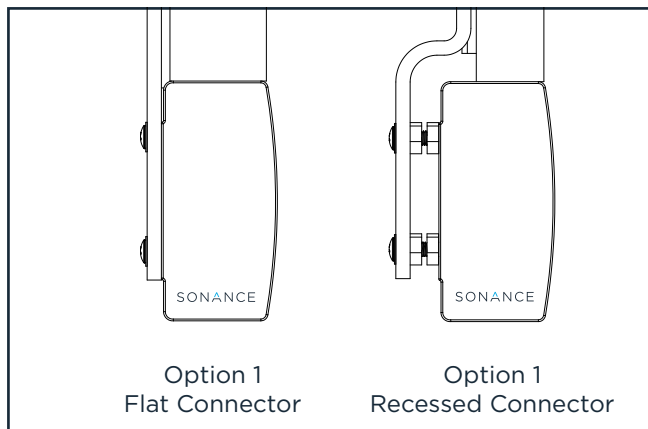
HARDWARE PACK

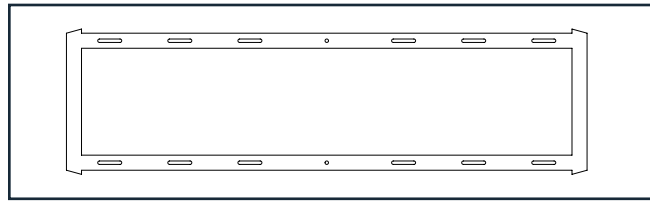
- A. (4) M8 10mm Screws for Display Attachment Rails
- B. (4) M8 14mm Screws for Flat Connector
- C. (4) M8 23mm Screws for Recessed Connector
- D. (4) M8 38mm Screws for Recessed Connector
- E. (4) M6 25mm Screws
- F. (4) M8 25mm Screws
- G. (8) M8 Nuts
- H. (8) M6 Washers
- I. (8) M8 Washers
- J. (4) Rubber Feet

MOUNTING OPTIONS

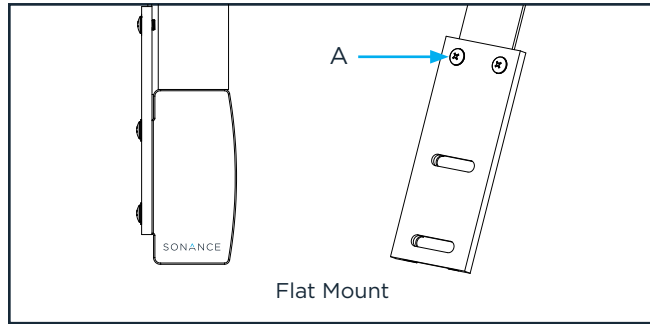
Details for mounting Sonance Soundbars using Option 1 are outlined in this Quickstart Guide.

For more detailed instructions for Option 2 Table Top or Option 3 Key Hole Wall Mount, please visit sonance.com.

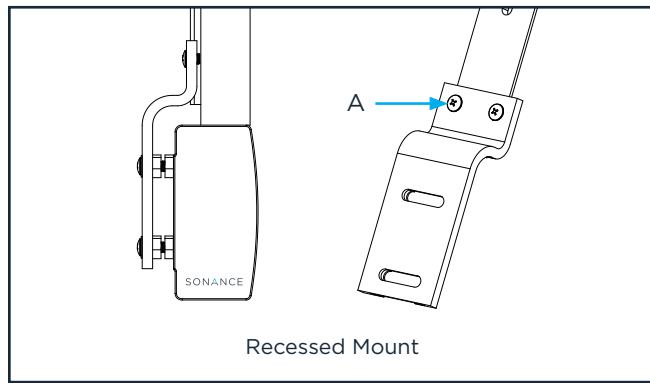




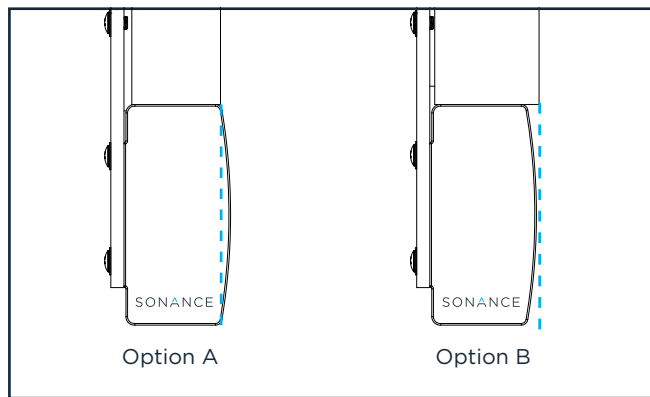
STEP 1
Install display mount to wall per manufacturer's instructions.



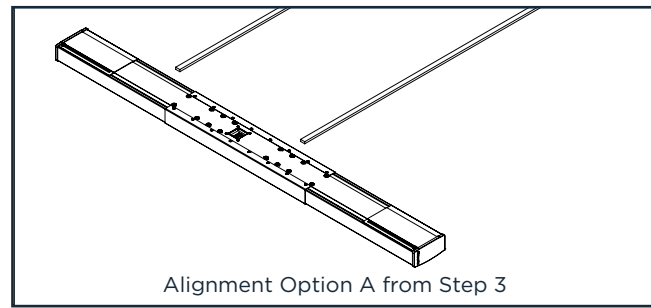
STEP 2A
Choose and attach the correct soundbar connector with (A) screws. The flat soundbar connector will align with 2 5/8" (65mm) deep displays.



STEP 2B
The recessed soundbar connector will align with displays from 1 7/32" - 2 3/32" (31.74mm - 53mm) deep. Use (C) or (D) screws and (G) nuts.

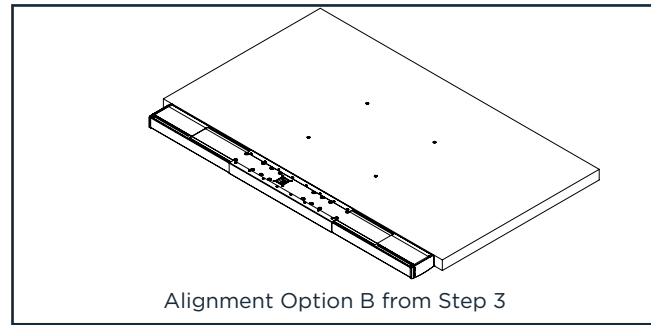


STEP 3
Alignment options for soundbar: A) Top edge of soundbar aligned with front of display. B) Front radius of soundbar aligned with front of display.



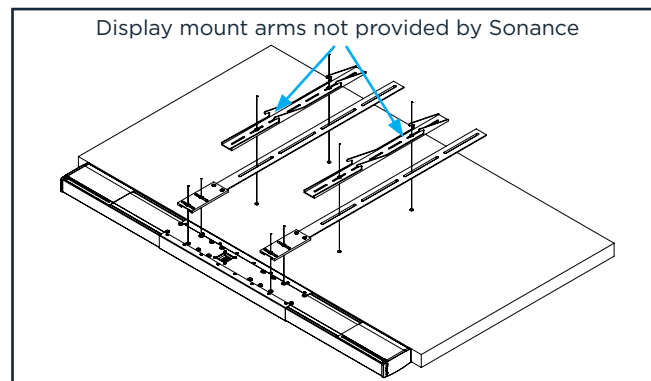
Alignment Option A from Step 3

STEP 4A
Use included 8mm display spacers. This creates the offset needed for bottom of display to align with top of soundbar. Carefully place display on top of spacers. Be careful not to scratch front of display. Skip step 4B.

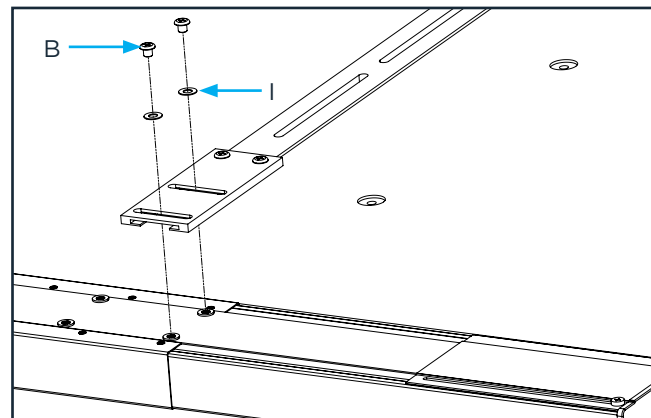


Alignment Option B from Step 3

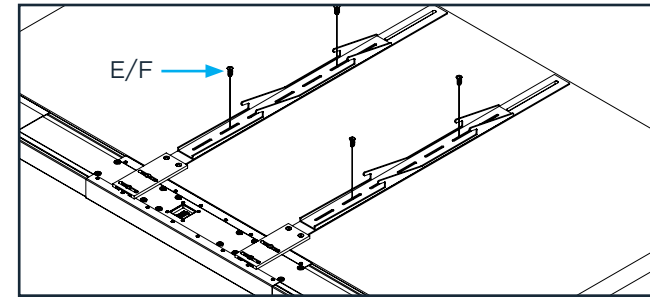
STEP 4B
Lay display and soundbar on same surface (without display spacers). Be careful to not scratch front of display.



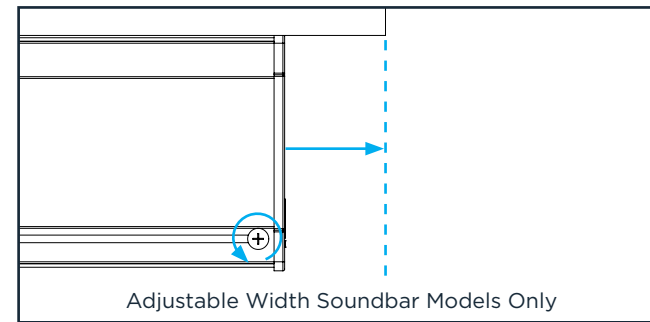
STEP 5
Place attachment rails on display and soundbar making sure that holes and rails are aligned.



STEP 6
Position soundbar as close to display as possible. Firmly fasten (B) screws and (I) washers to connect soundbar to the soundbar connectors.

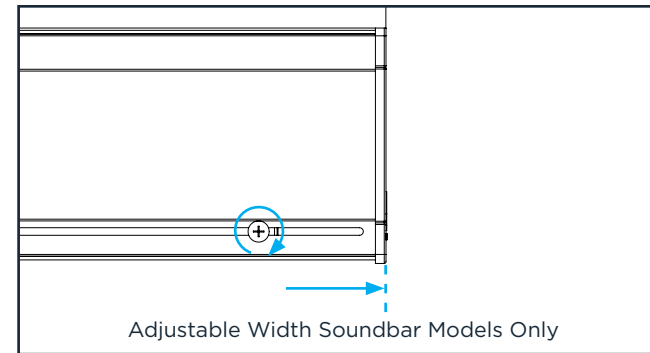


STEP 7
Install display wall bracket using spacers and screws supplied with display mount or (E)/(F) screws. Hardware will vary. It is recommended to keep spacers provided with display. For Fixed Width soundbar models, skip steps 8 through 11.



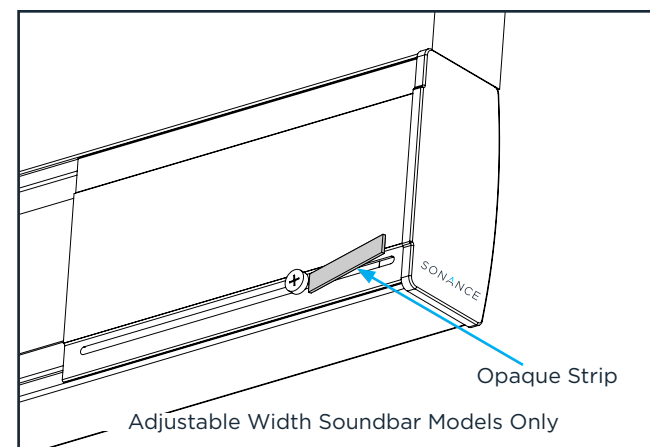
Adjustable Width Soundbar Models Only

STEP 8
Loosen screw to allow for adjustment of soundbar grille. No tool required.



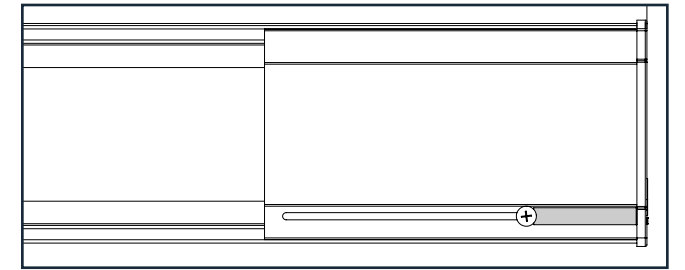
Adjustable Width Soundbar Models Only

STEP 9
Slide grille to edge of display and tighten screw. No tool required.

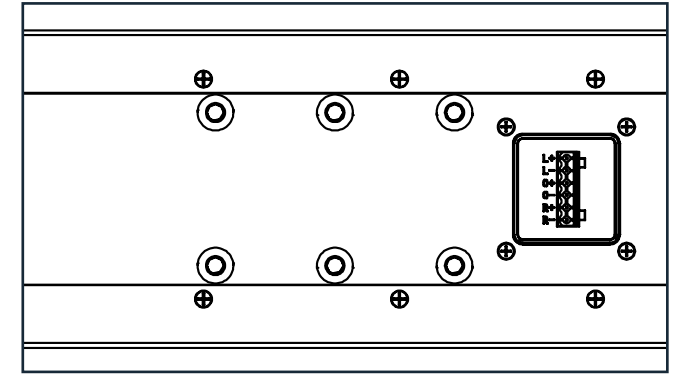


Adjustable Width Soundbar Models Only

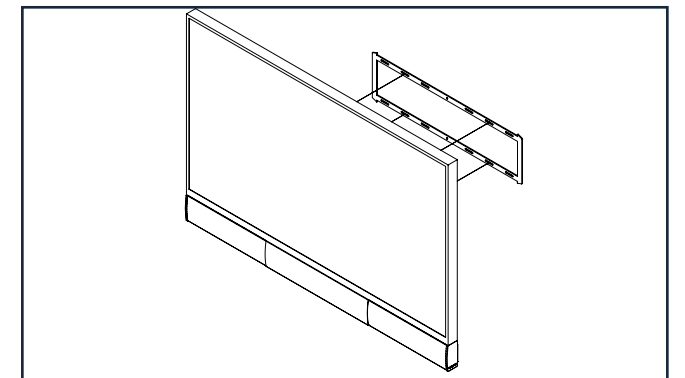
STEP 10
Cover open area with black opaque strip and cut to size. This will prevent any light from passing through grille.



STEP 11
Finished view. Adjustable Width soundbar models only.



STEP 12
Complete wiring to soundbar and display using provided 6-pin block connector. If possible, leave enough wire out of the wall to allow for connection prior to mounting to wall bracket.



STEP 13
Carefully mount display and soundbar to wall bracket. When lifting, be careful not to place too much pressure on, or twist, the soundbar. This could bend the bracket.

STEP 14
Soundbar installation is now complete and ready for audio system calibration. For detailed the installation manual visit: www.sonance.com/home-theater/soundbar



Scan QR code for additional information. For technical support call 949.492.7777 or visit www.sonance.com

©2022 Sonance. All rights reserved. Sonance is a registered trademark of Dana Innovations. Due to continuous product improvement, all features and specifications are subject to change without notice. For the latest Sonance product specification information visit our website: www.sonance.com

SONANCE • 991 Calle Amanecer • San Clemente, CA 92673 • (949) 492-7777
11.14.2022 33-5917



Scan QR code for additional information.
For technical support call 949.492.7777
or visit www.sonance.com

©2022 Sonance. All rights reserved. Sonance is a registered trademark of Dana Innovations. Due to continuous product improvement, all features and specifications are subject to change without notice. For the latest Sonance product specification information visit our website: www.sonance.com

SONANCE • 991 Calle Amanecer • San Clemente, CA 92673 • (949) 492-7777
11.14.2022 33-5917