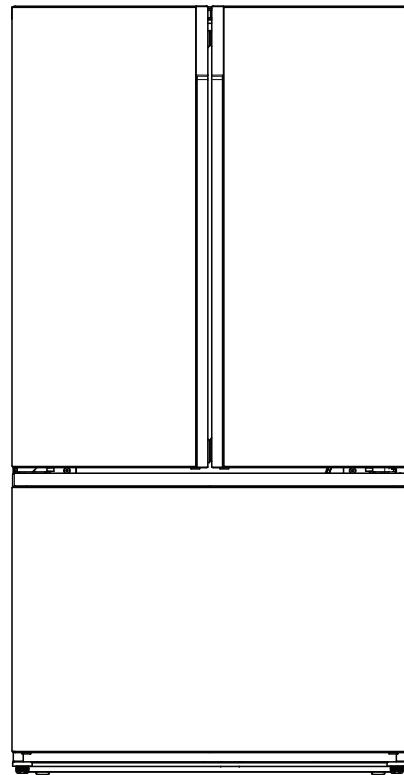


**INSIGNIA™**

# 26.6 Cu. Ft. French Door Refrigerator

NS-RFD26SS9/NS-RFD26SS9-C



Before using your new product, please read these instructions to prevent any damage.

## Contents

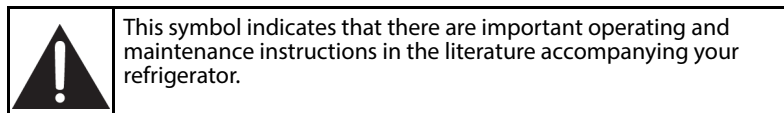
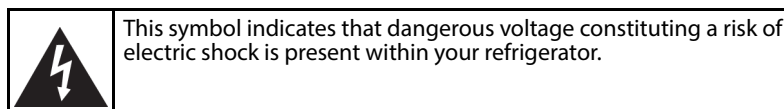
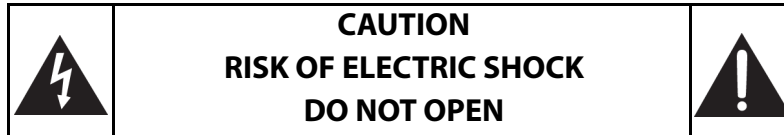
Introduction .....	3
IMPORTANT SAFETY INSTRUCTIONS .....	3
Grounding requirement .....	4
Features .....	5
Package contents .....	5
Dimensions .....	5
Interior .....	6
Exterior .....	7
Control panel .....	8
Setting up your refrigerator .....	9
Before using your refrigerator .....	9
Finding a suitable location .....	10
Providing correct ventilation .....	10
Providing room for doors to open .....	11
Providing the correct power source .....	11
Leveling your refrigerator .....	12
Removing the refrigerator doors (Optional) .....	13
Connecting the water supply .....	19
Connecting the water supply to your refrigerator .....	22
Using your refrigerator .....	23
Switching between Fahrenheit and Celsius .....	23
Setting the refrigerator temperature .....	23
Setting the freezer temperature .....	23
Using the ice maker .....	23
Using the water dispenser .....	24
Using Super Cool to speed refrigerator cooling .....	24
Using Super Freeze to speed freezing .....	24
Using the Energy Saving mode .....	24
Using the door baskets .....	25
Adjusting the glass shelves .....	25
Maintaining your refrigerator .....	27
Removing the fruit and vegetable crisper drawers .....	27
Cleaning your refrigerator .....	27
Defrosting the freezer compartment .....	28
Replacing the water filter .....	28
Replacing the LED light .....	31
Storing your refrigerator .....	31
General .....	34
Water filter .....	34
Moving your refrigerator .....	32
Tips on saving energy .....	32
Troubleshooting .....	32
Specifications .....	34
ONE-YEAR LIMITED WARRANTY .....	35

# 26.6 Cu. Ft. French Door Refrigerator

## Introduction

Congratulations on your purchase of a high-quality Insignia product. Your NS-RFD26SS9/NS-RFD26SS9-C represents the state of the art in refrigerator design and is designed for reliable and trouble-free performance.

## IMPORTANT SAFETY INSTRUCTIONS



## WARNING

- 1 Read these instructions.
- 2 Keep these instructions.
- 3 Heed all warnings.
- 4 Follow all instructions.
- 5 Do not use this appliance near water.
- 6 Clean only with a damp cloth or sponge using a non-corrosive, neutral detergent. Remove residual detergent with clear water.
- 7 Do not block any ventilation openings. This includes placing large amounts of food in front of the air outlets on the rear walls of the refrigerator and freezer compartments.
- 8 Install in accordance with the manufacturer's instructions.
- 9 Do not install near any heat sources, such as radiators, heat registers, stoves, or other apparatus that produce heat.
- 10 Do not defeat the safety purpose of the polarized or grounding-type plug. A polarized plug has two blades with one wider than the other. A grounding type plug has two blades and a third grounding prong. The wide blade or the third prong are provided for your safety. If the provided plug does not fit into your outlet, consult an electrician for replacement of the obsolete outlet.
- 11 Protect the power cord from being walked on or pinched, particularly at plugs, convenience receptacles, and the point where it exits from the appliance.
- 12 Do not attempt to modify or extend the power cord of your refrigerator.
- 13 Unplug your refrigerator during lightning storms or when it will not be used for long periods of time.
- 14 Make sure that the available AC power matches the voltage requirements of your refrigerator.
- 15 Do not handle the plug with wet hands. This could result in an electric shock.
- 16 Unplug the power cord by holding the plug, never by pulling the cord.
- 17 Refer all servicing to qualified service personnel. Servicing is required when your refrigerator has been damaged in any way, such as the power-supply cord or plug is damaged, liquid has been spilled or objects have fallen into your refrigerator, your refrigerator has been exposed to rain or moisture, does not operate normally, or has been dropped.
- 18 To reduce the risk of fire or electric shock, do not expose your refrigerator to rain, moisture, dripping, or splashing, and no objects filled with liquids should be placed on top of it.
- 19 Do not use extension cords or ungrounded (two prong) adapters. If the power cord is too short, have a qualified electrician install an outlet near your refrigerator. Use of an extension cord can negatively affect your refrigerator's performance.
- 20 Your refrigerator is not intended for use by persons (including children) with reduced physical, sensory, or mental capabilities, or lack of experience and knowledge, unless they have been given supervision or instruction concerning use of your refrigerator by a person responsible for their safety.

- 21 Children should be supervised to ensure that they do not play with your refrigerator.
- 22 If the power cord is damaged, it must be replaced by the manufacturer, its service agent, or similarly qualified person, in order to avoid a hazard.



## WARNING

### Electric Shock Hazard

**Failure to follow these instructions can result in electric shock, fire, or death.**

- 1 **WARNING**—Keep ventilation openings, in both your refrigerator and the built-in structure, clear of obstruction.
- 2 **WARNING**—Do not touch the interior of your refrigerator with wet hands. This could result in frostbite.
- 3 **WARNING**—Do not use mechanical devices or other means to accelerate the defrosting process, other than those recommended by the manufacturer.
- 4 **WARNING**—Do not use electrical appliances inside the food storage compartments of this appliance, unless they are the type recommended by the manufacturer.
- 5 **WARNING**—Do not damage the refrigerant circuit.
- 6 **WARNING**—Do not damage the refrigerant tubing when handling, moving, or using your refrigerator.
- 7 **WARNING**—Connect your refrigerator to a potable (drinking) water supply.
- 8 **WARNING—DANGER**—Never allow children to play with, operate, or crawl inside your refrigerator.  
**Risk of child entrapment.** Before you throw away your old refrigerator:
  - Take off the doors.
  - Leave the shelves in place so that children may not easily climb inside.
- 9 Unplug your refrigerator before carrying out user maintenance on it.
- 10 If a component part is damaged, it must be replaced by the manufacturer, its service agent, or similar qualified persons in order to avoid a hazard.
- 11 Follow local regulations regarding disposal of your refrigerator due to flammable refrigerant and gas. All refrigeration products contain refrigerants, which under the guidelines of federal law must be removed before disposal. It is the consumer's responsibility to comply with federal and local regulations when disposing of this product.
- 12 Your refrigerator is intended to be used in household and similar applications, such as:
  - Staff kitchen areas in shops, offices, and other working environments
  - Farm houses and by clients in hotels, motels, and other residential type environments
  - Bed-and-breakfast type environments
  - Catering and similar, non-retail applications
- 13 Do not store or use gasoline or any flammable liquids inside or in the vicinity of your refrigerator.

## Grounding requirement

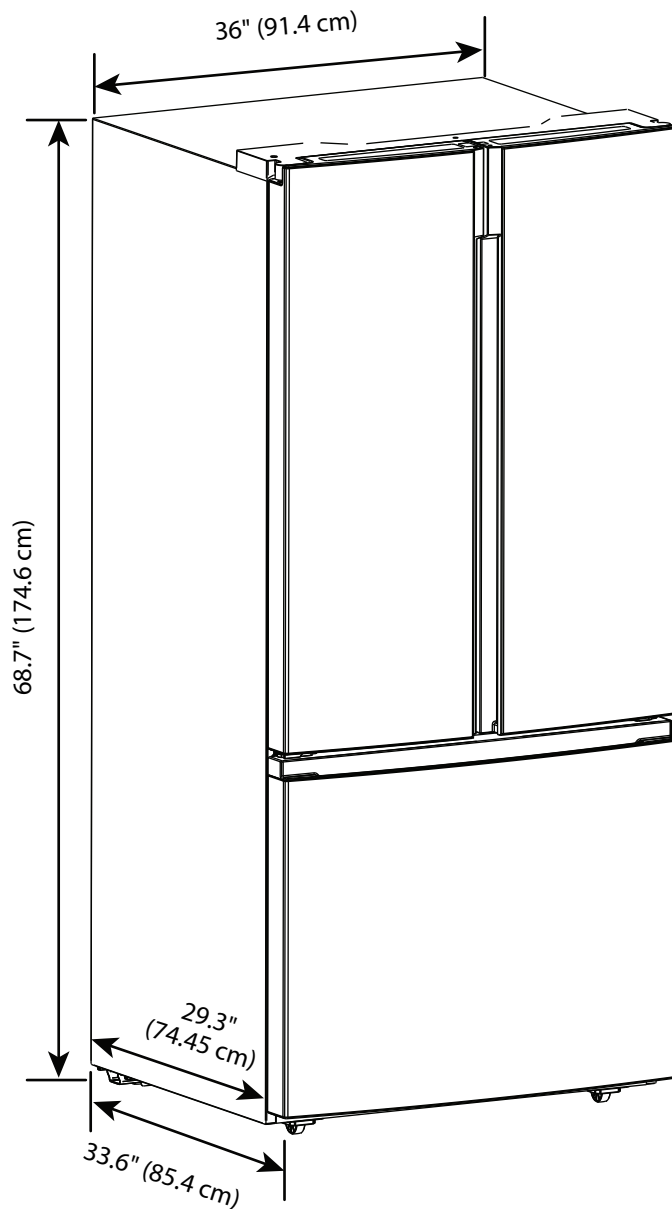
Your refrigerator must be grounded. Your refrigerator is equipped with a cord having a grounding wire with a grounding plug. The plug must be inserted into an outlet that is correctly installed and grounded. Incorrect use of the grounding plug can result in a risk of electric shock. Consult a qualified electrician or service person if the grounding instructions are not completely understood, or if doubt exists as to whether your refrigerator is correctly grounded.

## Features

### Package contents

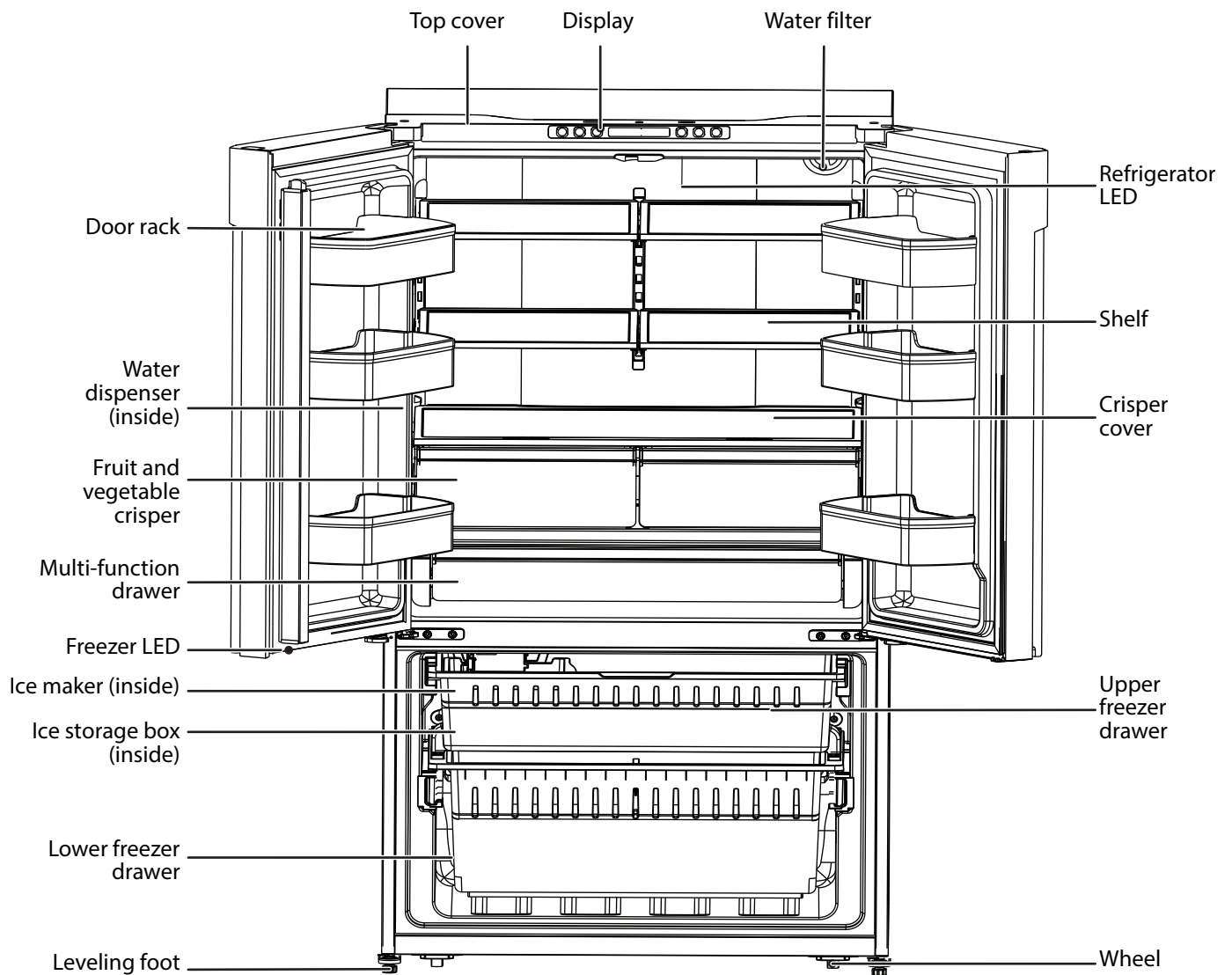
- 26.6 cu. ft. French door refrigerator
- 1/4" extension tubing (1) (inside the refrigerator drawer)
- Coupler (1) (inside the refrigerator drawer)
- Clips (2) (inside the refrigerator drawer)
- *User Guide*

### Dimensions

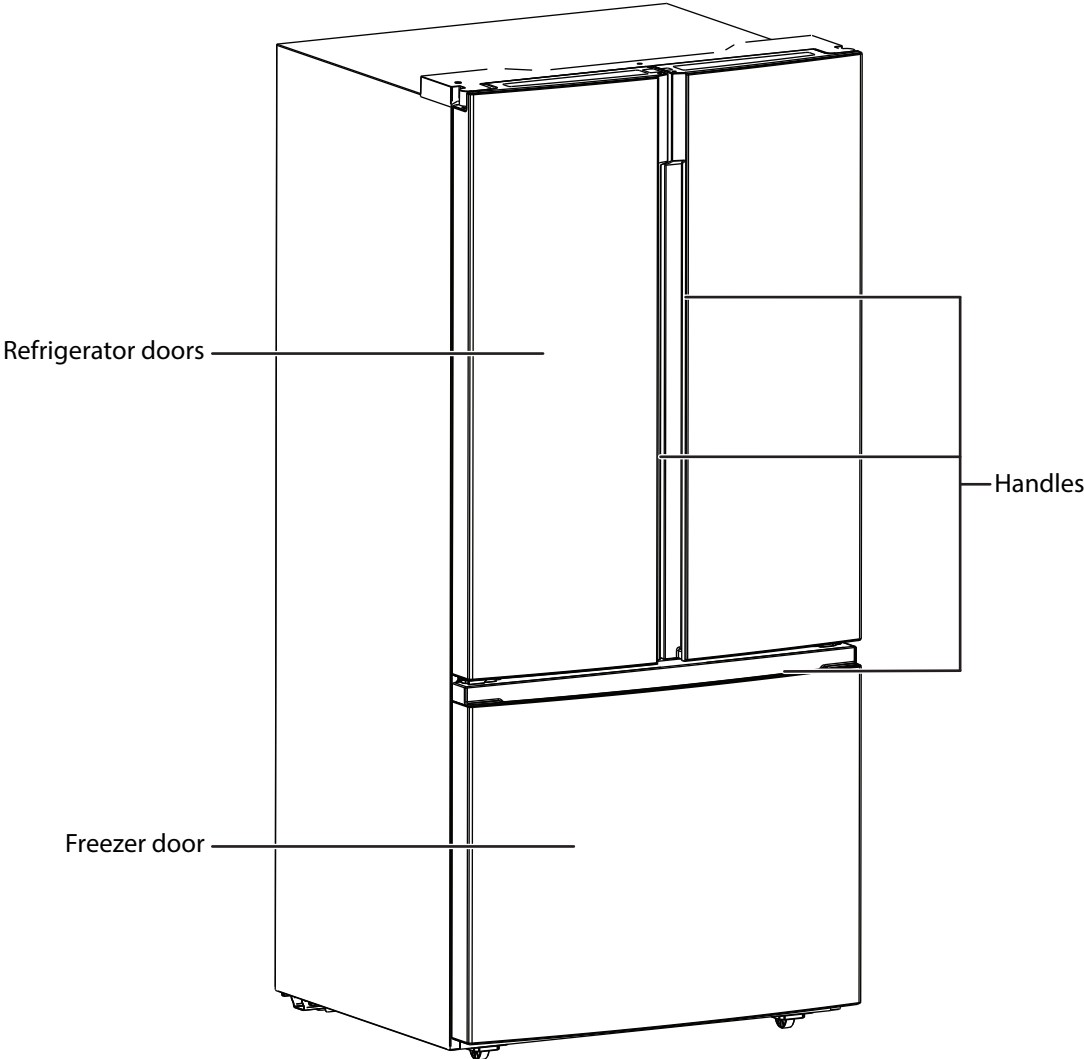


**Interior**

**Note:** The illustrations shown in this user guide are only for reference. The actual product may differ slightly.



**Exterior**



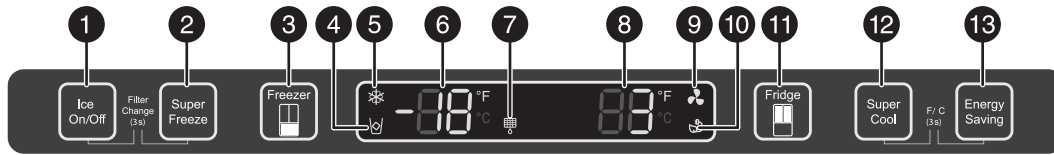
### Control panel







The control panel is located at the top of the inside of your refrigerator.


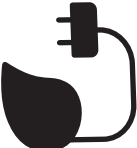



The first time you connect your refrigerator to power, all the icons light for three seconds and a buzzer sounds.

When you open the refrigerator compartment door, the control panel lights. If you do not push any buttons or close the doors, the lights turn off in 60 seconds.

**CAUTION:** Temperatures inside each compartment may vary from the temperature displayed on the control panel, depending on how much food you store and where you place it. Ambient temperature may also affect the actual temperature inside your refrigerator.



NO.	ITEM	DESCRIPTION
1		Turns the ice maker on or off. See <a href="#">Using the ice maker</a> on page 23.
2		Press to reduce the freezer compartment temperature to -12°F (-24°C). See <a href="#">Using Super Freeze to speed freezing</a> on page 24.
3		Press to turn on the freezer compartment temperature control, then press and hold to adjust the temperature. See <a href="#">Setting the freezer temperature</a> on page 23.
4		Lights when the ice maker is on.
5		Lights when the freezer compartment is in <b>Super Freeze</b> mode. See <a href="#">Using Super Freeze to speed freezing</a> on page 24.
6	Freezer temperature display	Displays the current freezer compartment temperature. When you press the <b>Freezer</b> button to change the freezer compartment temperature, displays the available settings one at a time. See <a href="#">Setting the freezer temperature</a> on page 23.
7		Blinks when you need to change the water filter. See <a href="#">Replacing the water filter</a> on page 28.
8	Refrigerator temperature display	Displays the current refrigerator compartment temperature. When you press the <b>Fridge</b> button to change the refrigerator compartment temperature, displays the available settings one at a time. See <a href="#">Setting the refrigerator temperature</a> on page 23.

NO.	ITEM	DESCRIPTION
9		Lights when the refrigerator compartment is in <b>Super Cool</b> mode. See <a href="#">Using Super Cool to speed refrigerator cooling</a> on page 24.
10		Lights when your refrigerator is in <b>Energy Saving</b> mode. See <a href="#">Using the Energy Saving mode</a> on page 24.
11		Turns on the refrigerator temperature control. See <a href="#">Setting the refrigerator temperature</a> on page 23.
12		Press to reduce the refrigerator compartment temperature to 35°F (2°C). See <a href="#">Using Super Cool to speed refrigerator cooling</a> on page 24.
13		Press to turn on the Energy Saving mode. See <a href="#">Using the Energy Saving mode</a> on page 24.

## Setting up your refrigerator

### Before using your refrigerator

- Remove the interior packing.
- Let your refrigerator stand upright for approximately four hours before connecting it to power. This reduces the possibility of a malfunction in the cooling system from improper handling during transportation.
- Wash the inside with a damp warm cloth soaked in a solution of one quart of lukewarm water to two tablespoons of baking soda.
- Wait for approximately two hours after moving your refrigerator or plugging it in for the first time so that the coolant fluid settles.
- For correct operation, you should level your refrigerator using the leveling feet. If you do not level your refrigerator, the doors may not close or seal correctly, causing cooling, frost, and moisture problems. Turn the leveling feet clockwise to raise or counterclockwise to lower a side. The leveling feet are easier to adjust if you have someone push against the top of your refrigerator to take some weight off.
- When moving your refrigerator, do not tilt it beyond 45° from upright.

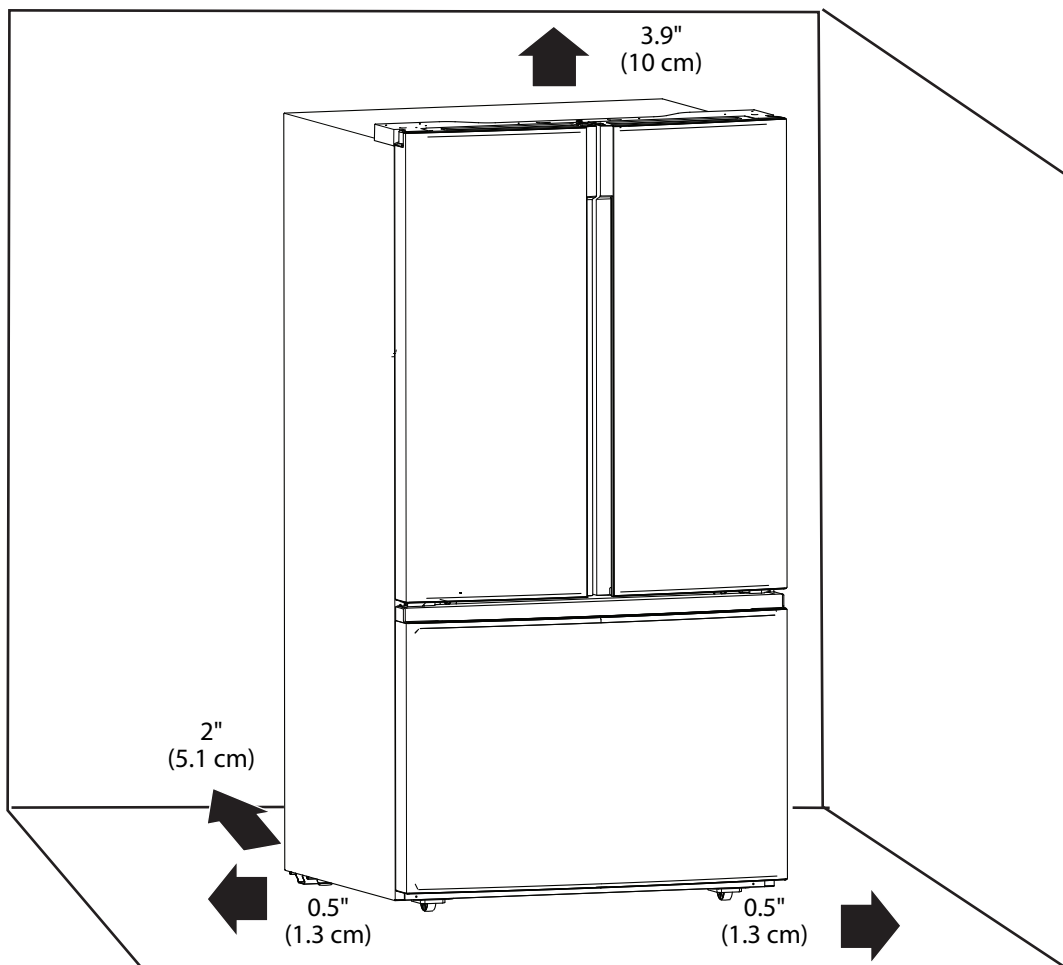
### Finding a suitable location

- Place your refrigerator on a floor that is strong enough to support your refrigerator when it is fully loaded.
- Do not install your refrigerator on carpeting or a rug.
- Your refrigerator is designed to be free standing and should not be recessed or built-in.
- If you use your refrigerator in a garage, make sure that the ambient temperature is between 50°F (10°C) and 109°F (43°C).
- Adjust the feet to keep your refrigerator level.
- If you locate your refrigerator next to a fixed wall, allow sufficient space on the hinge side for the door to swing open.
- Position your refrigerator away from direct sunlight and sources of heat, such as a stove, heater, or radiator. Direct sunlight may affect the acrylic coating and heat sources may increase electrical consumption. Extremely cold temperatures may also prevent your refrigerator from performing correctly.
- Avoid locating your refrigerator in moist areas.

Your refrigerator is designed to operate in a temperature range of 50°F (10°C) and 109°F (43°C). If you operate your refrigerator outside this temperature range, your refrigerator may not work correctly.

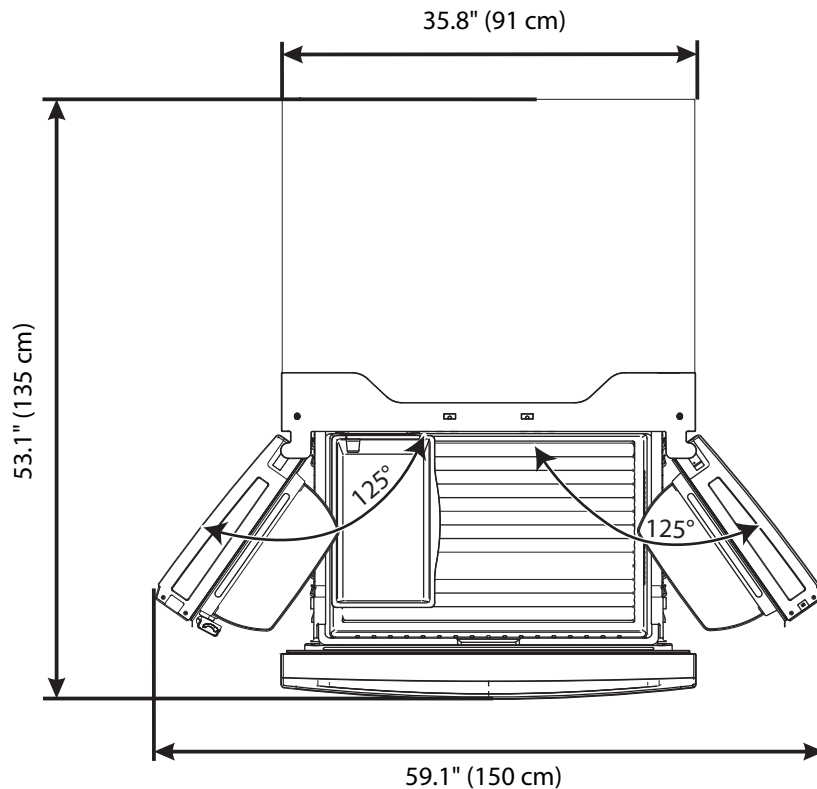
### Providing correct ventilation

Your refrigerator needs at least 0.5" (1.3 cm) between it and the surrounding side walls, at least 3.9" (10 cm) between it and the ceiling, and at least 2" (5.1 cm) between it and the back wall.



## Providing room for doors to open

Make sure that you have enough room in front of your refrigerator to swing the doors open.



## Providing the correct power source

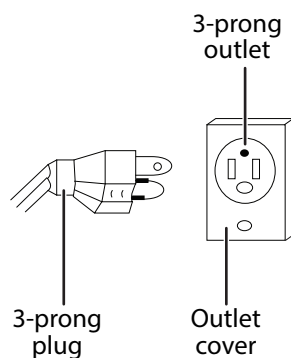
Check your power outlet. Your refrigerator requires a 115V, 60Hz power supply.

### WARNINGS:

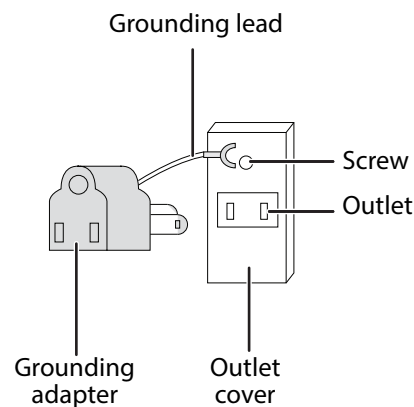
Make sure that:

- The power outlet accepts a 3-prong grounding plug. The third prong on the power cord plug grounds your refrigerator to minimize the possibility of electric shock. Do not modify the power plug.
- You Do NOT plug anything else into the same power outlet as your refrigerator. You may overload the circuit which can cause a fire.
- You DO NOT use an extension cord. If your refrigerator is too far from the power outlet, move your refrigerator or have an electrician install an outlet closer to your refrigerator.
- The power outlet cannot be turned off with a switch or pull string.

Using a 3-prong plug and outlet



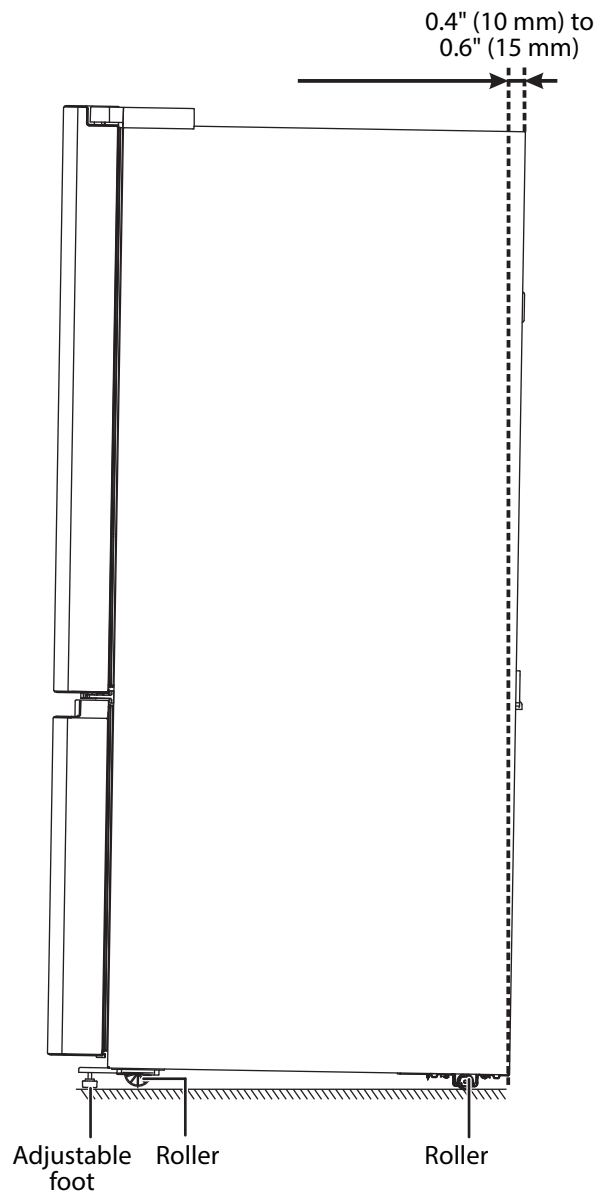
Using a grounding adapter



## Leveling your refrigerator

Leveling your refrigerator is important. If you do not level your refrigerator during installation, the doors may not close or seal correctly which can cause cooling, frost, or moisture problems.

**CAUTION:** The rollers are not casters. Use the rollers to move your refrigerator forward or backward. Do not use the rollers to move your refrigerator from side to side. You might damage the floor or the rollers.



- Rotate the adjustable feet clockwise to raise or counter-clockwise to lower your refrigerator. To make sure that the doors close automatically, tilt the top of your refrigerator backward about 0.4" (10 mm) to 0.6" (15 mm). If necessary, use a spanner wrench to adjust the feet.

**Note:** To make it easier to adjust the feet, have someone tilt your refrigerator while you adjust the feet.

## Removing the refrigerator doors (Optional)

If the opening to the installation area you chose is too narrow for your refrigerator to pass through, remove the doors and drawers, then move your refrigerator sideways into the area.

**Note:** Do not remove the doors unless you have to.

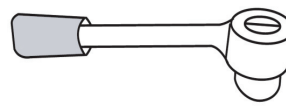
You will need the following tools to remove the refrigerator doors:



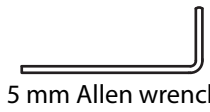
Phillips screwdriver



Flat-blade screwdriver

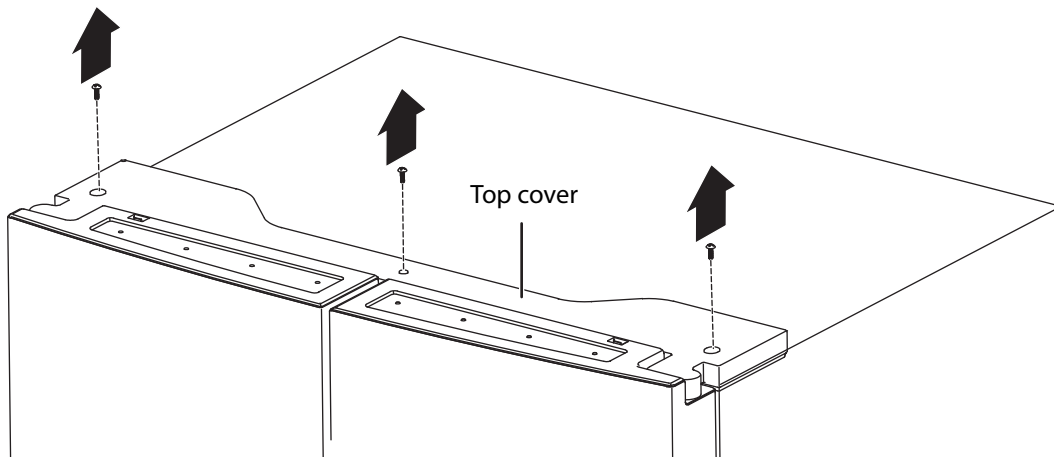


8mm wrench

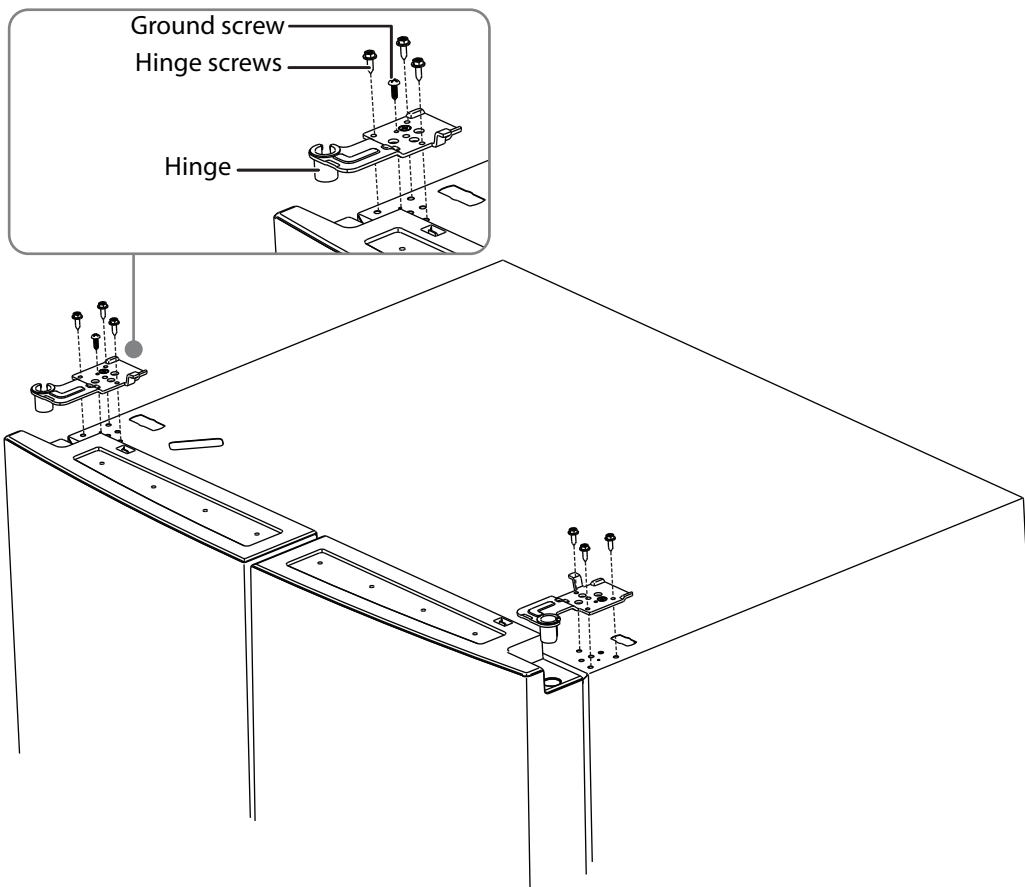


5 mm Allen wrench

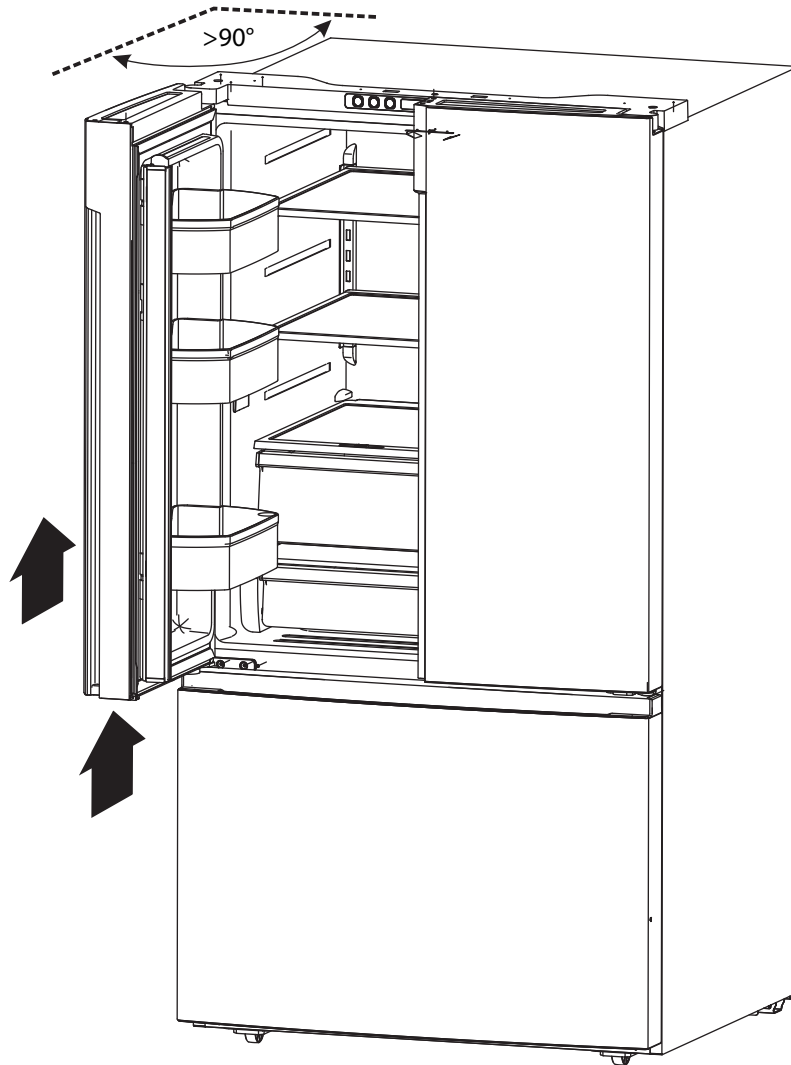
- 1 Make sure that your refrigerator is unplugged.
- 2 With the refrigerator compartment doors shut, remove the three screws that secure the cover on the top of your refrigerator, then remove the cover with the attached harness assemblies.



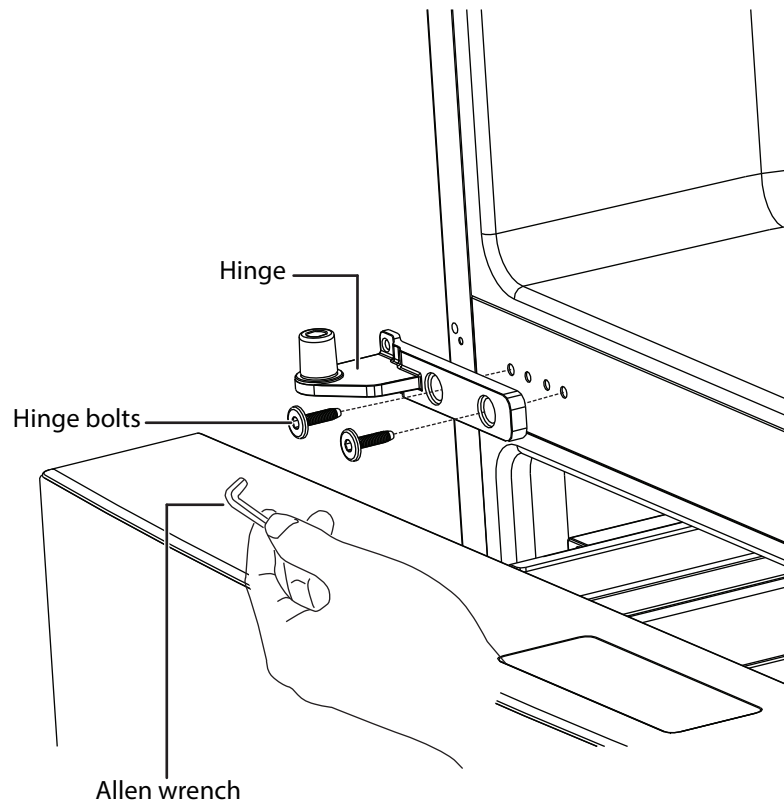
- 3 Use an 8 mm wrench to remove the three hinges screws, use a Phillips screwdriver to remove the ground screw, then remove the hinges.



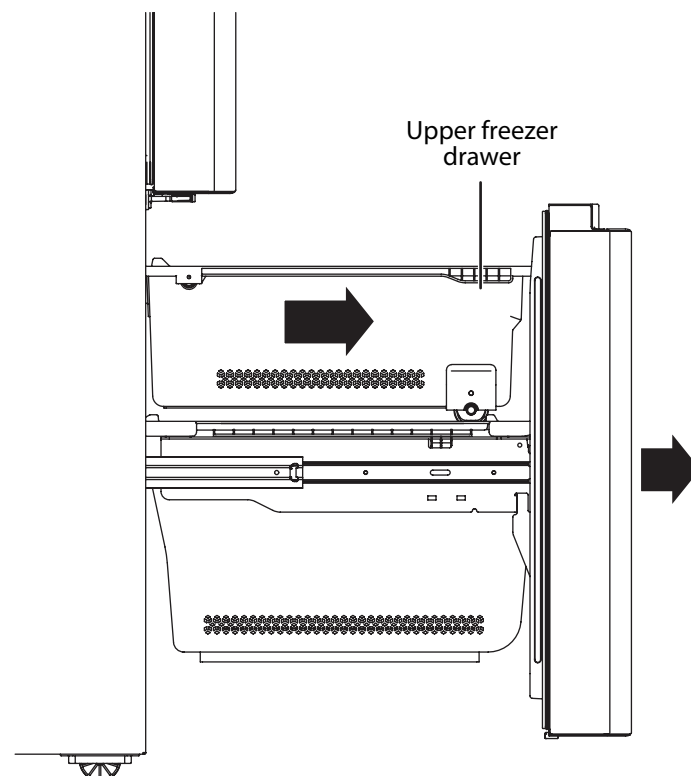
- 4 Using both hands, open each refrigerator compartment door more than 90°, then lift the door up and off.



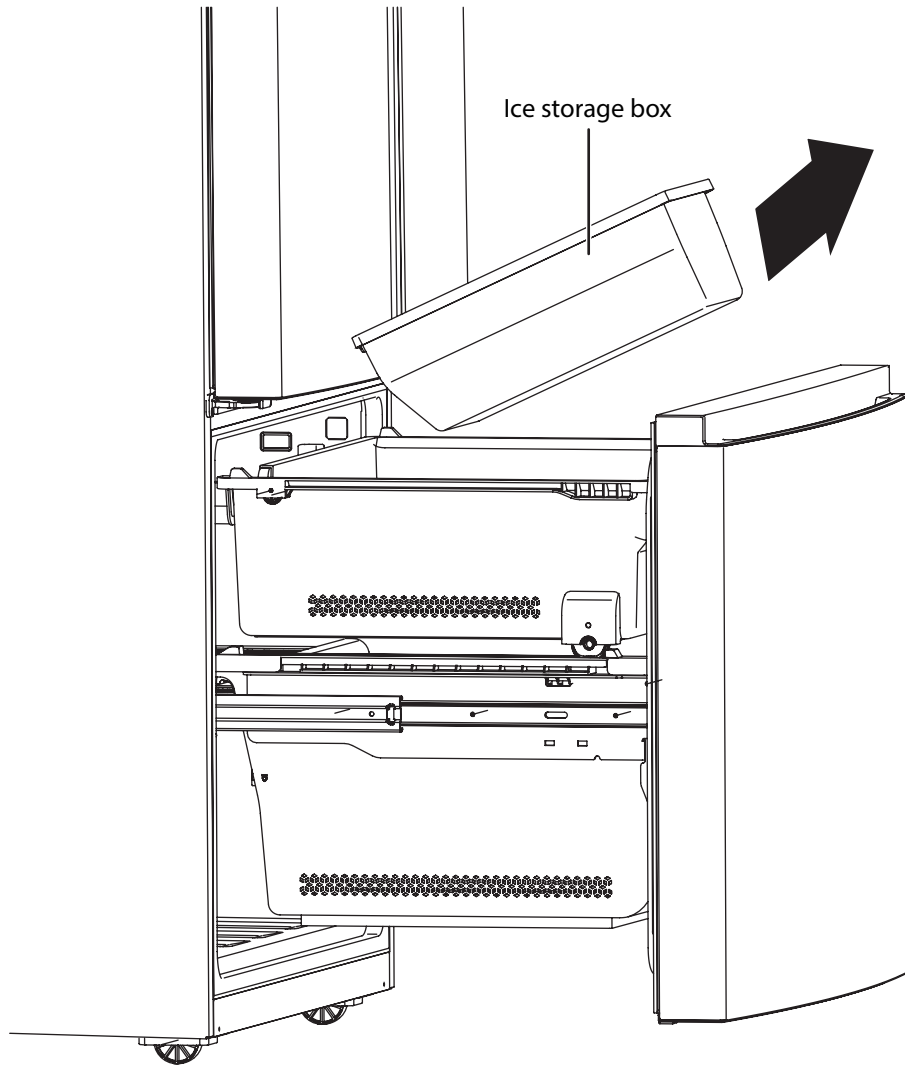
- 5 Use a 5 mm Allen wrench to remove the four hex head hinge bolts (two per hinge) on the lower left and right sides of your refrigerator, then remove the hinges.



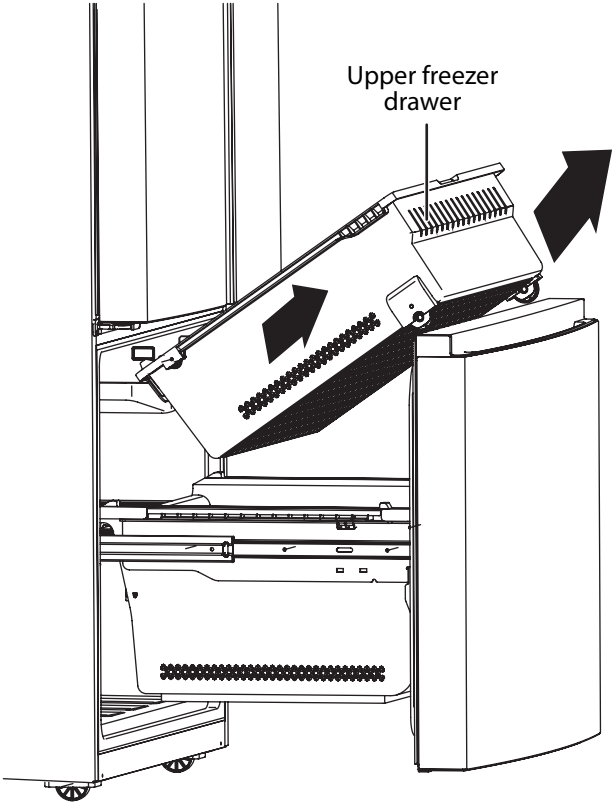
- 6 Pull the freezer compartment door and the upper freezer drawer fully open.



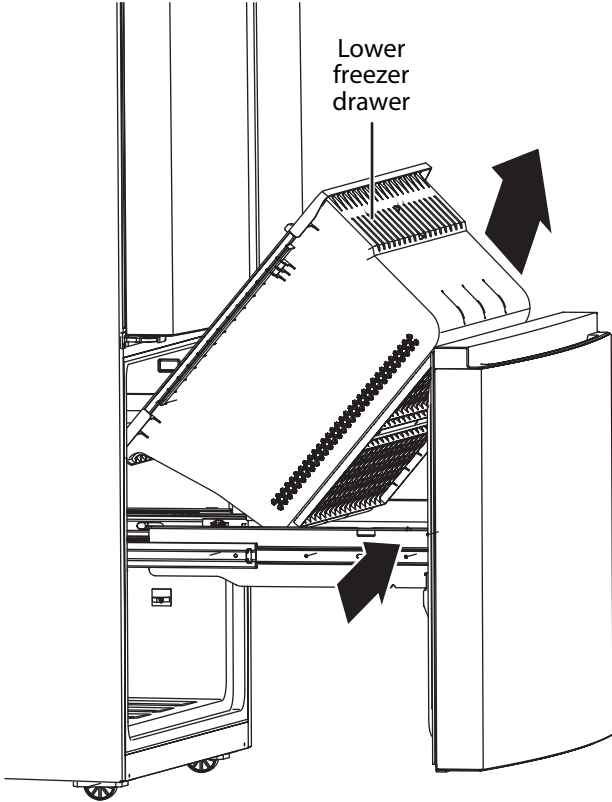
7 Lift the ice storage box up and out.



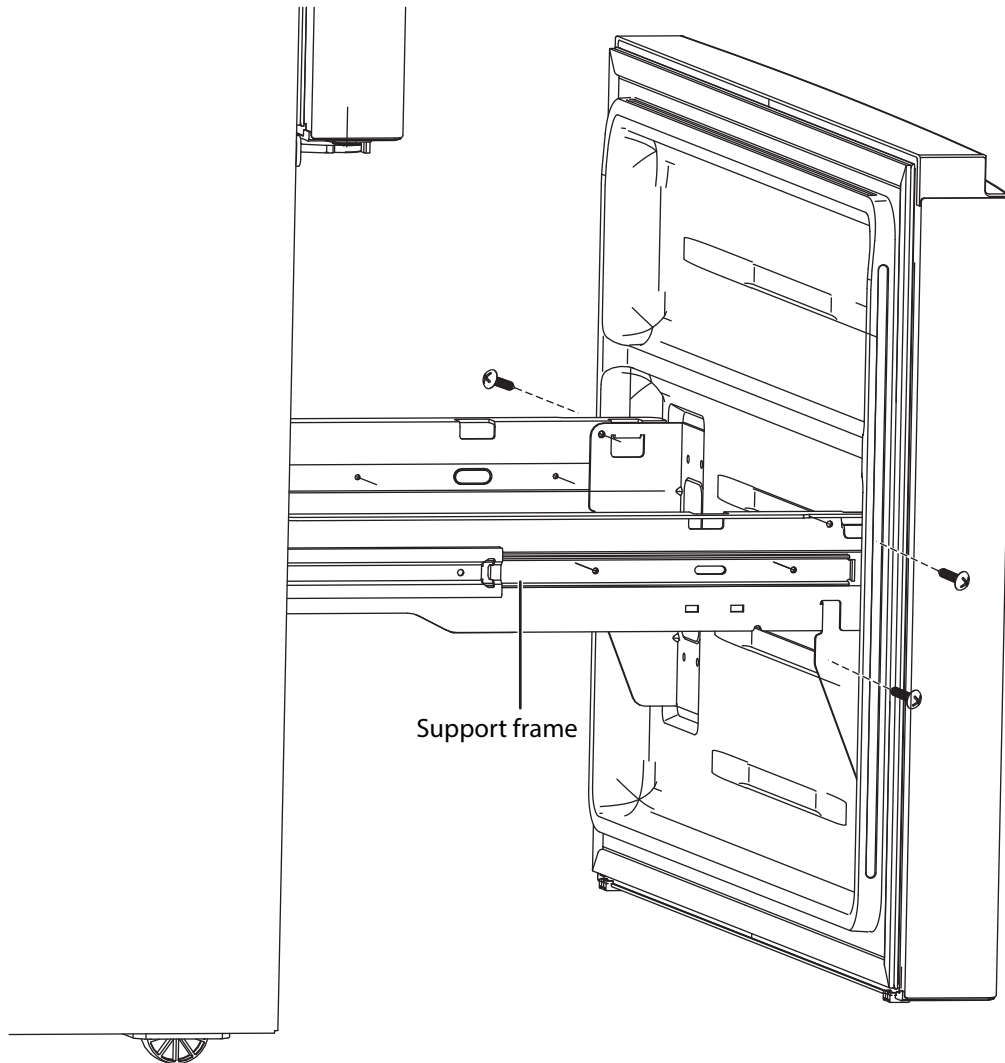
8 Lift the upper freezer drawer up from the rails and out.



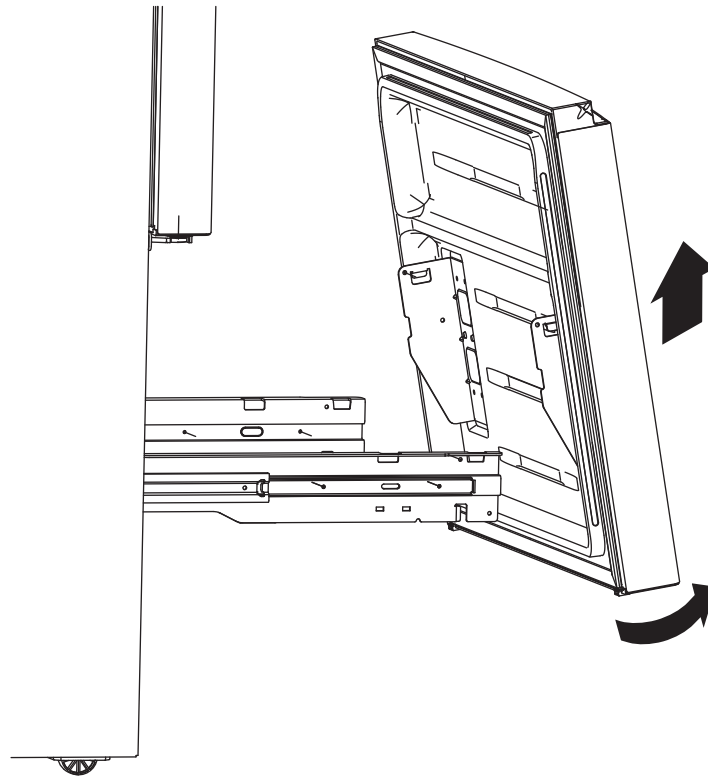
9 Lift the lower freezer drawer up and out.



10 Remove the four screws that secure the support frame.



11 Pull the bottom of freezer compartment door away from the support frame, then lift the door up and out.



12 Move your refrigerator into its final position, then re-install the drawers and doors by reversing these steps.

## Connecting the water supply

Your refrigerator comes with a water dispenser and an ice maker. To use these features, you need to connect your refrigerator to a drinking (potable) water supply. In order for the ice maker to operate correctly, the water pressure needs to be between 30 and 125 psi.

**CAUTIONS:**

- A qualified plumber should make the water connection.
- Using water pressure that is outside the 30 to 125 psi range can cause serious malfunction and severe, damaging water leaks.

**Note:** If you install your refrigerator in an area with low water pressure (below 30 psi), you can install a booster pump to compensate for the low pressure.

You will need the following tools and parts (not included):

You need to purchase several items to complete this connection. You may find these items sold as a kit at your local hardware store.



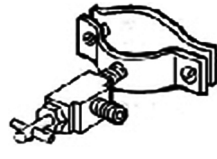
Phillips screwdriver



Flat-blade screwdriver



1/2" or adjustable wrench



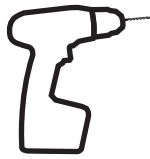
1/4" saddle-type shutoff valve (1)



1/4" compression nut (1)



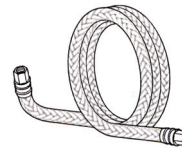
Ferrule (sleeve) (1)



Drill



1/4" drill bit



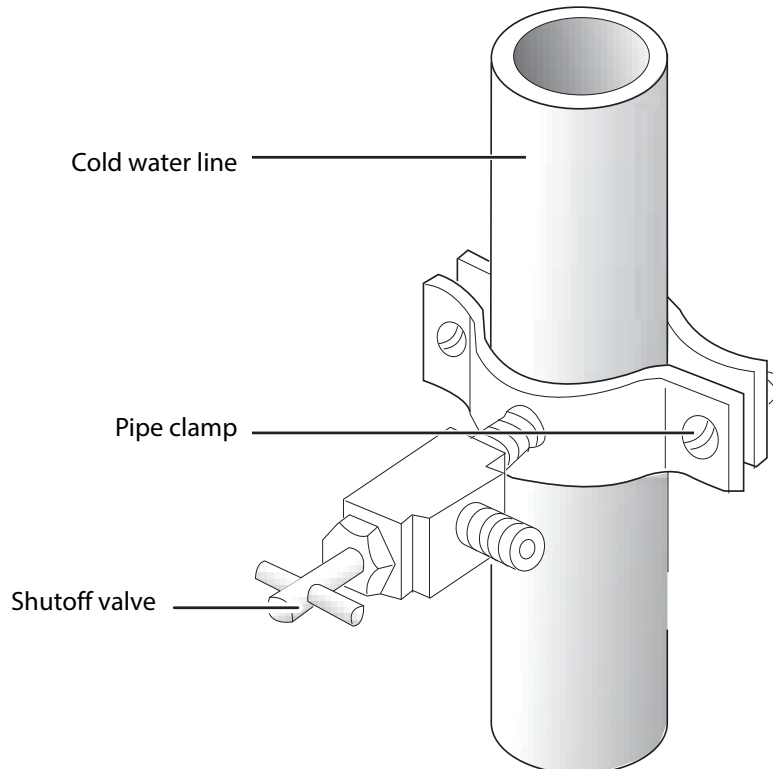
Water supply installation kit

**CAUTIONS:**

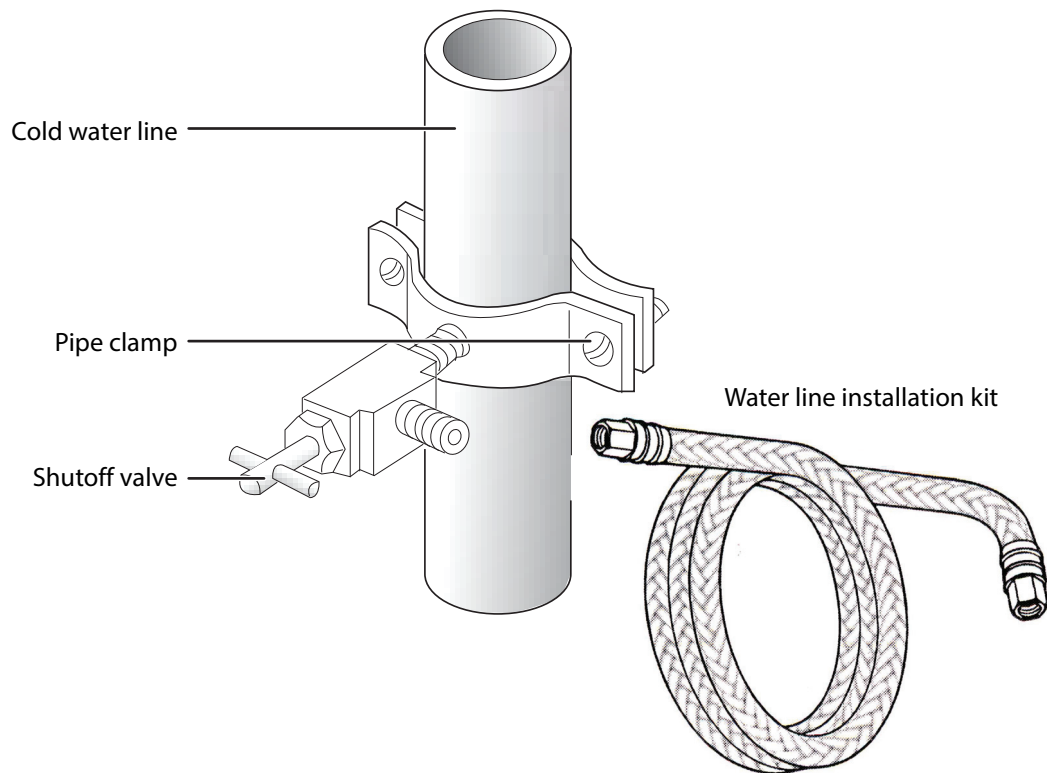
Make sure that you:

- Use the tubing that came with your refrigerator and the water supply installation kit. Do not use old tubing.
- Connect to the cold water pipe. If you connect to the hot water pipe, the purifier may malfunction.
- Do not contaminate the water pipes during installation.

- 1 Shut off the main water supply.
- 2 Using a 1/4" drill bit, drill a hole into the cold water line, then install the saddle-type shutoff valve.



- 3 Connect the 1/4" extension tubing (included) to the shutoff valve.



- 4 Turn the main water supply back on, then turn on the shutoff valve and flush out the tubing until the water runs clear.

**Note:** The initial dark discoloration of water is normal.

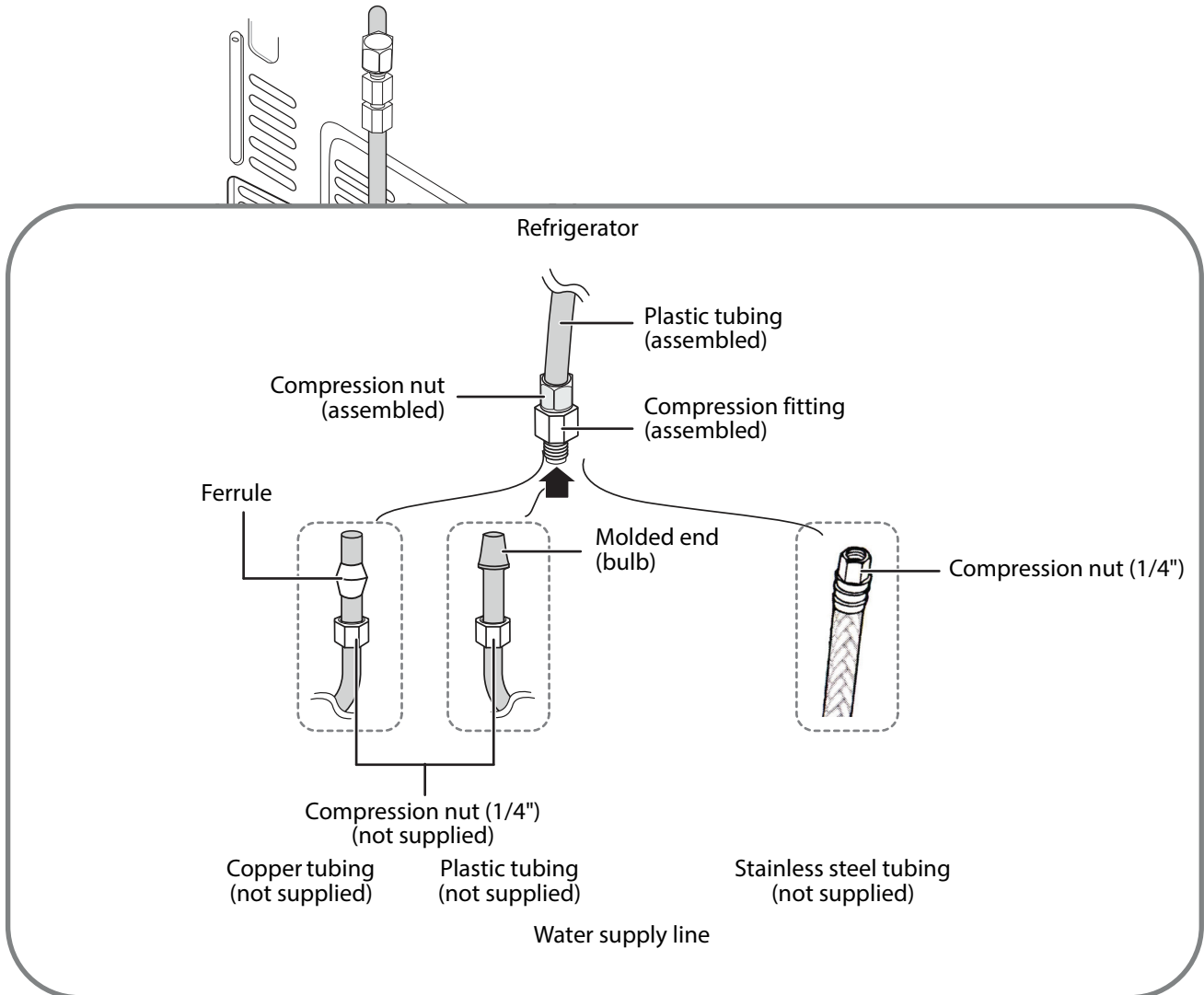
- 5 Turn off the shutoff valve.

### Connecting the water supply to your refrigerator

You need to purchase several items to complete this connection. You may find these items sold as a kit at your local hardware store.

You can use plastic tubing, copper tubing, or stainless steel tubing.

PLASTIC TUBING	COPPER TUBING	STAINLESS STEEL TUBING
<ul style="list-style-type: none"> <li>1/4" plastic tubing ☒ molded end (bulb)</li> </ul>	<ul style="list-style-type: none"> <li>1/4" copper tubing</li> </ul>	<ul style="list-style-type: none"> <li>1/4" copper tubing</li> </ul>
<ul style="list-style-type: none"> <li>1/4" compression nut (1)</li> </ul>	<ul style="list-style-type: none"> <li>1/4" compression nut (1)</li> <li>Ferrule (2)</li> </ul>	<ul style="list-style-type: none"> <li>1/4" compression nut (1)</li> </ul>



- 1 Connect the household water line to the assembled compression fitting.  
If you are using copper tubing, slip the compression nut (not supplied) and ferrule (not supplied) on the copper tubing (not supplied).  
OR  
If you are using plastic tubing, insert the molded end (bulb) of the plastic tubing into the compression fitting.

**Important:** Do not use without the molded end (bulb) of the plastic tubing.

- OR
- If you are using stainless steel tubing, slip the compression nut on the copper tubing (not supplied).
- 2 Tighten the compression nut onto the compression fitting. Do not over-tighten the compression nut.

- 3 Turn the water on and check for any leakage. If you find water drops or leakage in the connection areas, turn off the main water supply, then check the connections and tighten, if necessary.
- 4 Flush one gallon of water through the filter before drinking or using the water from your refrigerator. (Flush approximately five minutes.)  
To flush, press a large glass or cup against the water dispenser lever. Fill the glass, then empty it into the kitchen sink. Repeat until you dispense about one gallon of water.
- 5 After you turn on the refrigerator, let the ice maker make ice for one to two days. Over that period of time, throw out the first one or two buckets of ice the freezer makes to make sure that all impurities have been removed from the water line.

**Notes:**

- Make sure that you connect the water line to a drinkable water source.
- You can test the water line quickly using a paper cup.
- The first time you use the water dispenser, you may hear the sound of water pushing air out of the water dispenser. This is normal.
- If you have to repair or disassemble the water line, cut off 1/4" of the plastic tubing to make sure you get a snug, leak-free connection.

## Using your refrigerator

**CAUTION:** Never close the refrigerator or freezer doors while the shelves, drawers, or telescopic slides are extended. It may damage both them and your refrigerator.

### Switching between Fahrenheit and Celsius

To toggle between Celsius and Fahrenheit on the display, press and hold both the **Super Cool** and **Energy Savings** buttons for three seconds.

### Setting the refrigerator temperature

- Press the **Fridge** button to turn on the refrigerator temperature control, then press and hold the **Fridge** button to select a temperature setting.

If you have set the temperature type to Fahrenheit, the temperature settings cycle from 47°F to 35°F in one degree increments.

If you have set the temperature type to Celsius, the temperature settings cycle from 2°C to 8°C in one degree increments.

### Setting the freezer temperature


- Press the **Freezer** button to turn on the freezer temperature control, then press and hold the **Freezer** button to select a temperature setting.

If you have set the temperature type to Fahrenheit, the temperature settings cycle from 6°F to -12°F in one degree increments.

If you have set the temperature type to Celsius, the temperature settings cycle from -14°C and -24°C in one degree increments.

### Using the ice maker

The ice maker is located inside the freezer compartment, near the top of the compartment. When the ice maker makes ice, the ice is stored in ice storage box inside the upper freezer drawer.

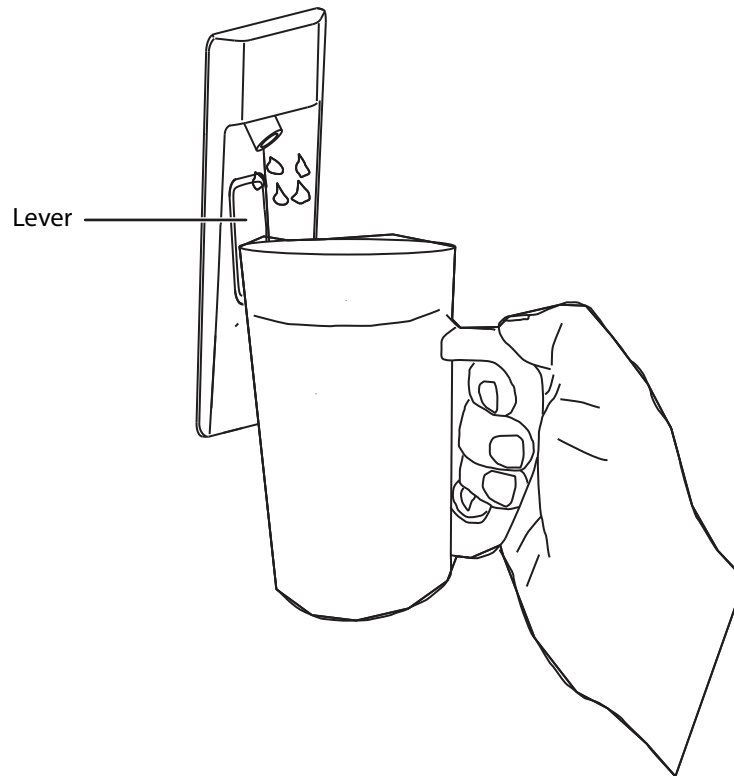
- Press the **Ice On/Off** button to turn the ice maker on or off. When the ice maker is turned on, the  icon lights.
- To use ice, open the freezer compartment door, then pull open the upper freezer drawer and remove ice from the storage box.

## Using the water dispenser

The water dispenser is located inside the left side of the refrigerator compartment.

- 1 Open the left refrigerator door.
- 2 Position your glass about 1.5" (4 cm) under the dispenser, then push the lever with the glass.

**Note:** The water coming into your refrigerator flows through the filter under increased pressure. When you dispense water, the pressure decreases which makes bubbles. The water may temporarily look misty or cloudy. The bubbles disappear and the water clears in a few seconds.



## Using Super Cool to speed refrigerator cooling

You can quickly lower the refrigerator compartment temperature to cool your food faster than usual. Use the **Super Cool** mode to speed up cooling when you add a large amount of food to the refrigerator compartment.

When the **Super Cool** mode is on, the refrigerator temperature lowers to 35°F (2°C). The **Super Cool** mode automatically turns off after three hours, and the refrigerator temperature returns to the last refrigerator temperature setting.

- 1 Press the **Super Cool** button. When the **Super Cool** mode is turned on, the ❄️ icon lights.
- 2 To manually turn off the **Super Cool** mode, press the **Super Cool** button again.

## Using Super Freeze to speed freezing

**Note:** When you set the freezer temperature, we recommend that you wait about six hours before using the **Super Freeze** mode.

You can quickly lower the freezer temperature to freeze your food faster than usual. Fast-freezing can help retain more of the vitamins and nutrition in fresh food and keep your food fresh longer. The **Super Freeze** mode also speeds up freezing when you add a large amount of food to the freezer compartment.

When the **Super Freeze** mode is on, the freezer compartment temperature lowers to -12°F (-24°C). The **Super Freeze** mode automatically turns off after 26 hours, and the freezer temperature returns to the last freezer temperature setting.

- 1 Press the **Super Freeze** button. When the **Super Freeze** mode is turned on, the ❄️ icon lights.
- 2 To manually turn off the **Super Freeze** mode, press the **Super Freeze** button again.

## Using the Energy Saving mode

To save energy, you can turn on the **Energy Saving** mode. When you use the **Energy Saving** mode, the refrigerator compartment temperature is automatically set to 42°F (6°C) and the freezer compartment temperature is automatically set to 2°F (-17°C). When you turn off the **Energy Saving** mode, the refrigerator and freezer temperatures return to the last temperature settings.

**Note:** When you turn on the **Energy Saving** mode, you cannot change the refrigerator or freezer compartment temperature.

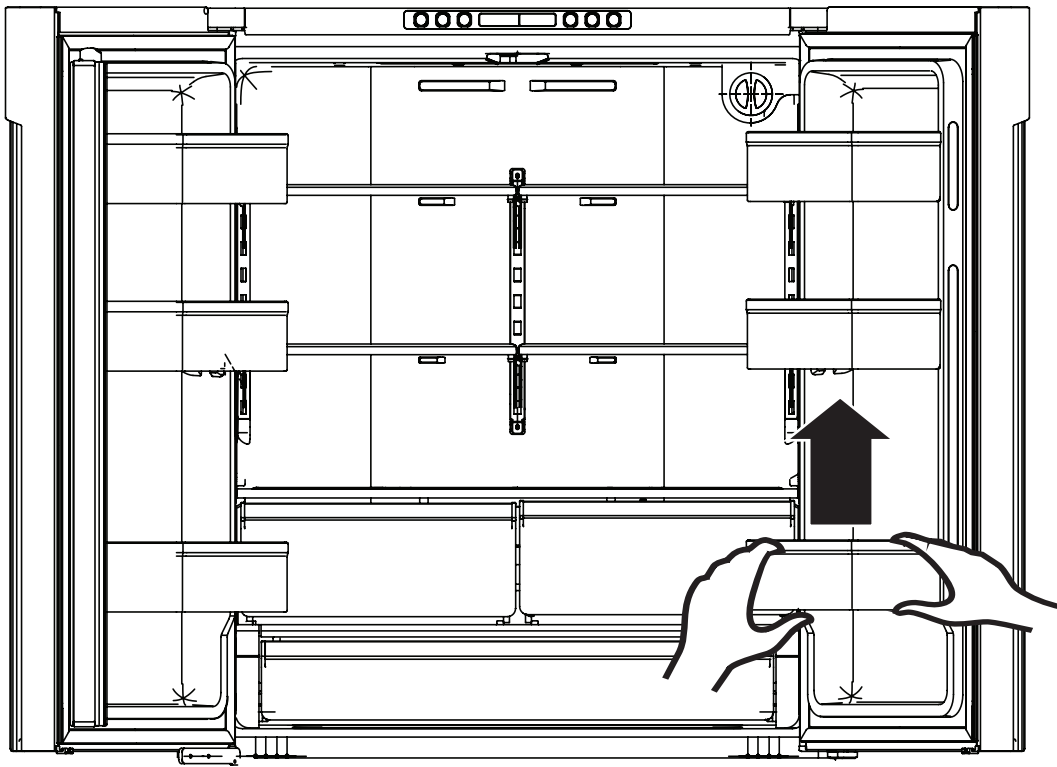
- Press the **Energy Saving** button to turn the **Energy Saving** mode on or off. When the **Energy Saving** mode is turned on, the 🌿 icon lights.

## Using the door baskets

**CAUTION:** Do not put too many heavy items in the door baskets. You may break the baskets.

Your refrigerator has six door baskets designed to store canned liquids, bottled drinks, and packaged food. To remove or relocate a door basket:

- 1 To remove a basket, remove all items from the basket, lift it, then pull it out of the door.

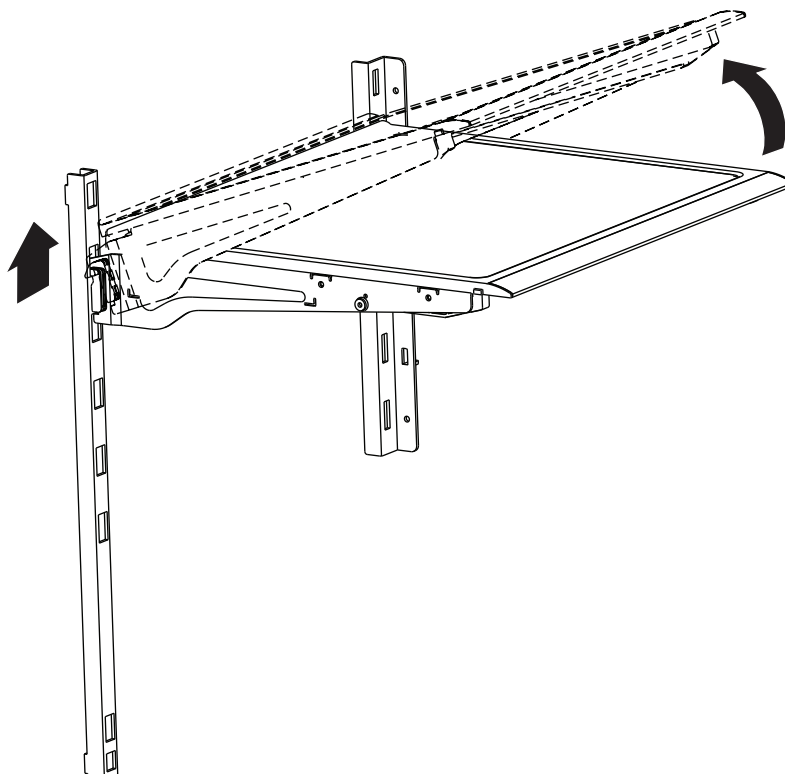


- 2 To relocate a basket, align the basket above the notches in the door, then push the basket down until it stops.

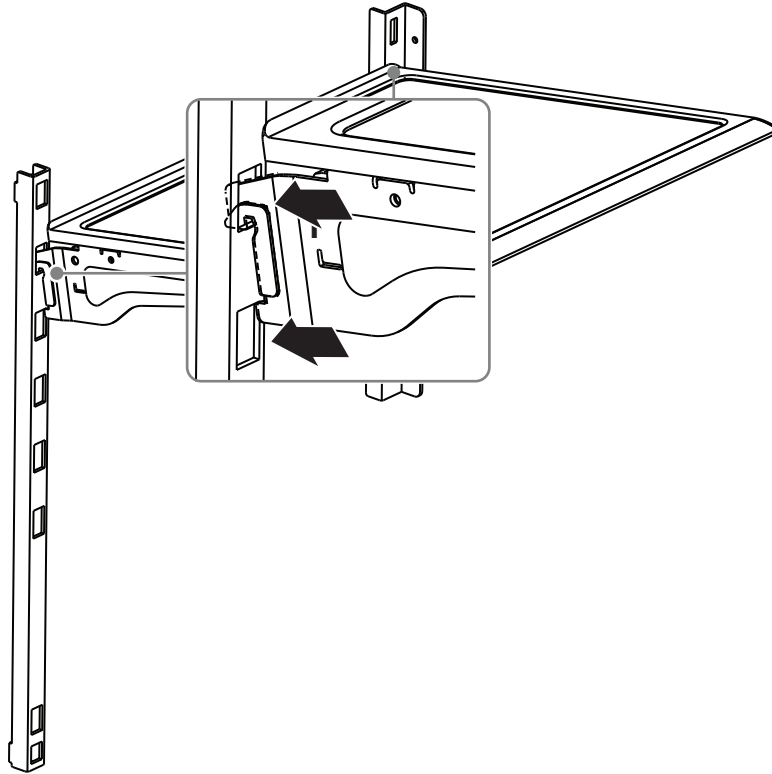
## Adjusting the glass shelves

The glass shelves inside the refrigerator compartment are adjustable.

- 1 To remove a shelf, tilt up the front of the shelf, then lift it vertically up and out of your refrigerator.



- 2 To install the shelf in a new location, hold the shelf with the front tilted upward, then slide the hooks on the shelf into the slots in the shelf rails and lower the shelf.



## Maintaining your refrigerator

Your refrigerator is designed for year-round use with only minimal cleaning and maintenance.

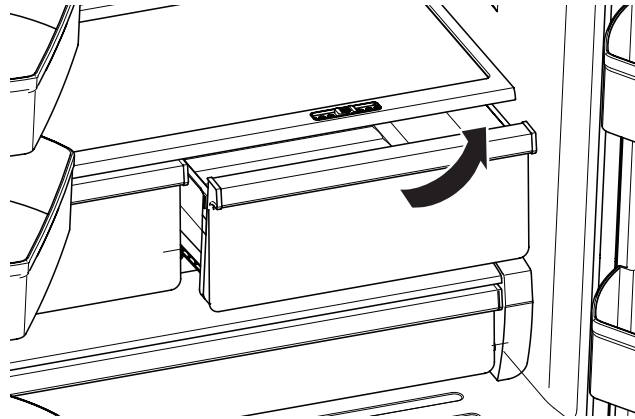
When you first receive it, wipe the cabinet with a mild detergent and warm water, then wipe dry with a dry cloth. Do this periodically to keep your refrigerator looking new.

### Removing the fruit and vegetable crisper drawers

The fruit and vegetable crisper drawers are designed to store fruits and vegetables. Putting fruits and vegetables inside the drawers helps avoid losing moisture and prevents flavor from getting into other foods.

To remove a crisper drawer:

- 1 Open the refrigerator door all the way.
- 2 Pull the drawer completely open and move it slightly toward the compartment wall, then lift the drawer up and pull it out of your refrigerator.



### Cleaning your refrigerator

#### CAUTIONS:

To prevent damage to the finish:

- Do not use gasoline, benzine, thinner, or other similar solvents.
- Do not use abrasive cleaners.
- Do not use sharp objects because they are likely to scratch the surface.

We recommend that you do the following every time you clean your refrigerator to keep it running odor-free and efficiently:

- 1 Unplug your refrigerator from the power outlet.
- 2 Remove all food.
- 3 If you want to remove the door baskets, shelves, refrigerator fruit and vegetable crisper drawers, or freezer drawers, see:
  - [Using the door baskets](#) on page 25
  - [Adjusting the glass shelves](#) on page 25
  - [Removing the fruit and vegetable crisper drawers](#) on page 27
  - [Removing the refrigerator doors \(Optional\)](#) on page 13
- 4 Clean the doors, handles, and cabinet surfaces with a mild detergent, then rinse with warm water using a wrung-out sponge or cloth.
- 5 Wash the inside with a damp warm cloth soaked in a solution of one quart of lukewarm water to two tablespoons of baking soda solution, then rinse with warm water using a wrung-out sponge or cloth.
- 6 Clean the baskets, shelves, and drawers with a mild detergent and soft cloth, then rinse with warm water.
- 7 Make sure that you keep the door gaskets (seals) clean so that the door seals tightly. This helps your refrigerator run efficiently.

**CAUTION:** Make sure that the door gaskets are completely dry before you plug your refrigerator into the power outlet.

- 8 Dry all surfaces and removable parts before putting them back into place.
- 9 Plug your refrigerator into the power outlet.


## Defrosting the freezer compartment

**Tip:** To avoid standing water when you defrost, place some towels on the floor in front of your refrigerator.

Although the freezer compartment automatically defrosts, a layer of frost may occur on the compartment's interior walls if the freezer is opened frequently or kept open too long. If the frost is too thick, choose a time when the freezer is nearly empty, then:

- 1 Unplug your refrigerator.
- 2 Remove all food from the freezer compartment, and place the food into containers that will prevent it from melting.
- 3 Leave the freezer compartment open.
- 4 To speed the defrosting, you can:
  - Place open containers with hot water inside the refrigerator.
  - Use a plastic or wooden ice shovel (like a spatula) to remove thick layers of ice or frost. Do not use a sharp utensil (like a knife) because you may damage your refrigerator.
- 5 When you finish defrosting, wipe the inside with a dry towel. If you need to clean the compartment, see [Cleaning your refrigerator](#) on page 27.
- 6 Close the freezer compartment, plug your refrigerator into the power outlet, then put the food back into the freezer compartment.

## Replacing the water filter

After your refrigerator has dispensed about 300 gallons of water, the  icon blinks to remind you to replace the water filter. For the best water quality, you should replace the water filter about every six months even if the icon is not blinking.

### Operating conditions

- Flow rate: 0.5 GPM (1.9LPM)
- Pressure: 30 - 125 PSI (207-862kPa)
- Temperature: 34-100° F (1-38°C)
- Service life: 6 Months
- Capacity: 300 GAL (1,136 L)
- Function: Chemical/Mechanical Reduction
- Flushing: 5 Minutes

### Operating Notices

- Do not use with water that is microbiologically unsafe or of unknown quality without adequate disinfection before or after using the filtration system.
- Systems certified for cyst reduction may be used on disinfected water that may contain filterable cyst.
- For cold water only.
- Replace the filter for every 6 months
- Testing was performed under standard laboratory conditions, actual performance may vary.
- Check for compliance with the state and local laws and regulations.
- Systems must be installed and operated in accordance with the manufacturer's recommended procedures and guidelines.
- Spent adsorption media will not be regenerated and used.

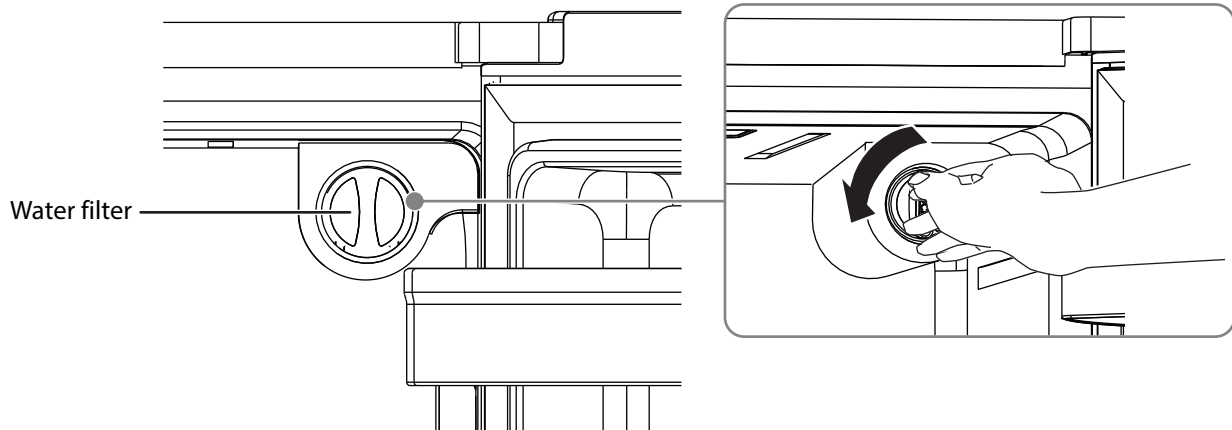
### Warranty

- The filter is warranted for a period of 12 months.
- Filters are warranted for defects in material and workmanship only.
- Replacement Cartridge No.: NS-WF26FD9-1
- NSF System No: WF26FD9-1

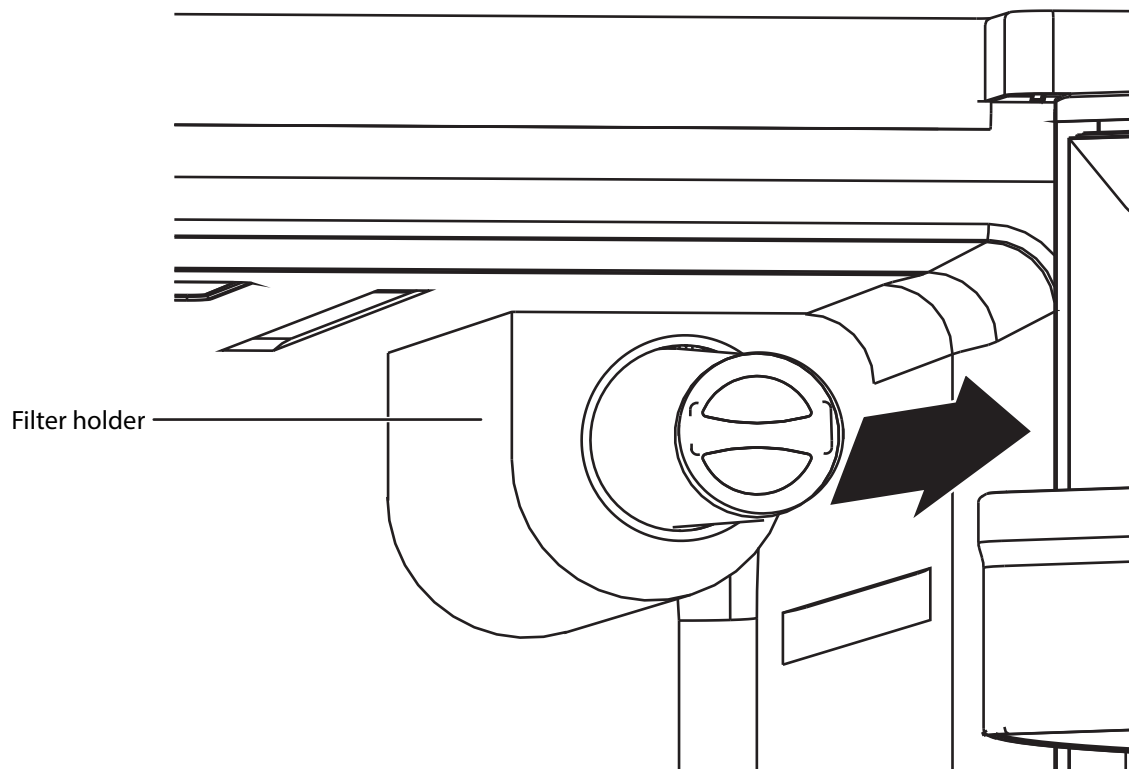
For estimated costs of replacement elements, contact Best Buy.

To drink the freshest and cleanest water from your refrigerator, change the filter on time.

- 1 Shut off the water supply, then turn off the water shutoff valve on your refrigerator.
- 2 Turn the old water filter about 1/4 turn counter-clockwise, then pull out the filter.

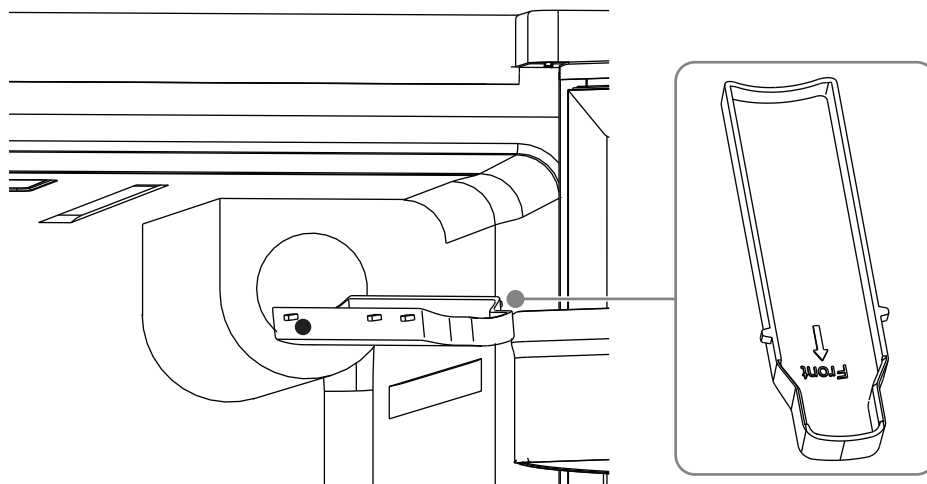


- 3 Pull the water filter out of the filter holder. Depending on water impurities, you may have to pull hard to remove the filter.

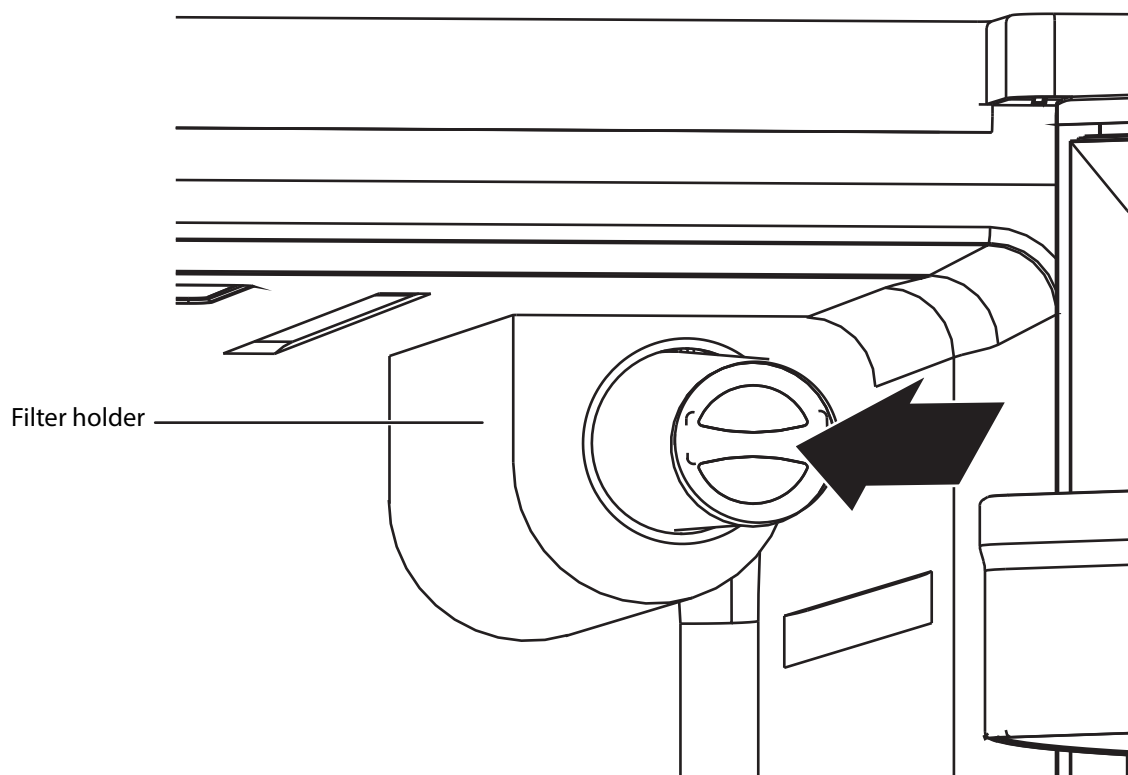


**Note:** When you pull out the water filter, a little water may leak from the opening which is normal. To minimize the water leakage, keep the filter horizontal when you pull it out.

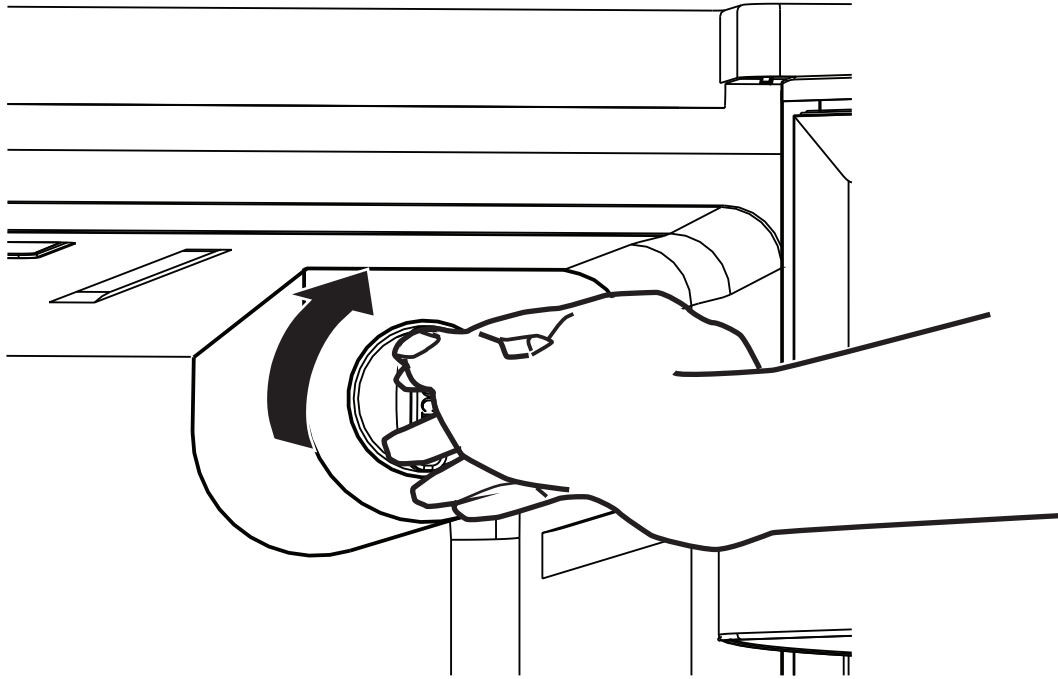
- 4 Pull out the water filter tray, then empty the tray. Dry around the filter opening, then put the tray back in.




- 5 Insert the new water filter into the water filter holder.



- 6 While turning the new filter clockwise, push it all the way into the holder until it locks into place.



- 7 Turn on the shutoff valve and the water supply, then run water through the dispenser until the water runs clear (about five minutes). This cleans the water supply system and removes any trapped air.
- 8 Open the refrigerator door and make sure that no water leaks from the water filter.
- 9 After you install the new filter, press and hold both the **On/Off** and **Super Freeze** buttons for about three seconds to turn off the  icon.

#### **Reverse osmosis system**

If your cold water supply is connected to a reverse osmosis system:

- The water pressure to the reverse osmosis system needs to be between 40 psi to 60 psi (276 kpa to 414 kpa).
- The water pressure at the inlet valve on your refrigerator needs to be between 30 psi to 125 psi (207 kpa to 862 kpa).

If the water pressure to the reverse osmosis system is less than 40 psi and 60 psi (276 kpa and 414 kpa):

- Check the sediment filter on the system, and replace the filter if necessary.
- Allow the storage tank on the system to refill after heavy usage.
- If the water pressure is still too low, your refrigerator's water filter may be further reducing the water pressure. Remove the water filter.

#### **Replacing the LED light**

**CAUTION:** The LED light must be replaced by a qualified service technician.

If the LED light is damaged:

- 1 Unplug your refrigerator.
- 2 Remove the light cover by lifting it up.
- 3 While pressing the connector latch with one hand, pull the LED light out.
- 4 Replace the LED light and snap it correctly in place, then replace the light cover.

#### **Storing your refrigerator**

- 1 Unplug your refrigerator from the power outlet.
- 2 Remove all food.
- 3 Clean your refrigerator.
- 4 Take off the doors, and leave the shelves in place so that children cannot easily climb inside.

**WARNING:** If a door accidentally closes while a child is inside your refrigerator, the child may suffocate.

## Moving your refrigerator

- 1 Unplug your refrigerator from the power outlet.
- 2 Remove all food.
- 3 Securely tape down all loose items inside your refrigerator.
- 4 Tape the door shut.
- 5 Make sure that your refrigerator does not tilt more than 45° from the upright position during transportation.

## Tips on saving energy

- Locate your refrigerator in the coolest area of the room, away from heat producing appliances or heating ducts and out of direct sunlight.
- Let hot foods cool to room temperature before placing them in your refrigerator. Overloading your refrigerator forces the compressor to run longer. Foods that freeze too slowly may lose quality or spoil.
- Wrap foods correctly and wipe containers dry before placing them in your refrigerator. This cuts down on frost build-up.
- Do not line the refrigerator storage shelves with aluminum foil, wax paper, or paper toweling. Liners interfere with cold air circulation and make your refrigerator less efficient.
- Organize and label food to reduce door openings and extended searches. Remove as many items as needed at one time, and close the door as soon as possible.

## Troubleshooting

**CAUTION:** Do not try to repair your refrigerator yourself. Doing so invalidates the warranty.

PROBLEM	SOLUTION
My refrigerator does not work.	<ul style="list-style-type: none"> <li>• Make sure that your refrigerator is securely plugged into a working outlet.</li> <li>• Make sure that your power source has the correct voltage. Your refrigerator's voltage rating is on a label on the back of your refrigerator.</li> <li>• Check the house fuse or circuit breaker box and replace the fuse or reset the circuit breaker.</li> </ul>
The refrigerator compartment has a bad odor.	<ul style="list-style-type: none"> <li>• Make sure that all food with a strong odor (like onions) is wrapped or stored in airtight packaging.</li> <li>• Certain containers and wrapping materials (such as paper, foil, or plastic) can cause odors. If you think this might be the case, try using different containers or a different brand of wrapping material.</li> <li>• Check for spoiled food and remove it.</li> <li>• Clean the inside of your refrigerator. See <a href="#">Cleaning your refrigerator</a> on page 27.</li> </ul>
The refrigerator doors do not close completely.	<ul style="list-style-type: none"> <li>• Make sure that no food packages are in the way.</li> <li>• Make sure that the door gaskets (seals) are clean. See <a href="#">Cleaning your refrigerator</a> on page 27.</li> <li>• If the door gasket does not seal, try heating then cooling the seal. You can use an electric hair dryer to heat the seal.</li> <li>• Make sure that your refrigerator is level. See <a href="#">Leveling your refrigerator</a> on page 12.</li> <li>• Make sure that the top of your refrigerator is tilted backward about 0.4" (10 mm) to 0.6" (15 mm). See <a href="#">Leveling your refrigerator</a> on page 12.</li> </ul>
The temperature is too hot.	<ul style="list-style-type: none"> <li>• You may have left the doors open too long or opened them too frequently.</li> <li>• Make sure that no obstacle is keeping the doors from closing correctly.</li> <li>• Adjust the refrigerator or freezer compartment temperature. See <a href="#">Setting the refrigerator temperature</a> on page 23 or <a href="#">Setting the freezer temperature</a> on page 23.</li> <li>• Your refrigerator may not have enough clearance from walls or the ceiling. See <a href="#">Providing correct ventilation</a> on page 10.</li> </ul>
The temperature is too cold.	<ul style="list-style-type: none"> <li>• Adjust the refrigerator or freezer compartment temperature. See <a href="#">Setting the refrigerator temperature</a> on page 23 or <a href="#">Setting the freezer temperature</a> on page 23.</li> </ul>

PROBLEM	SOLUTION
Ice is not dispensing.	<ul style="list-style-type: none"> <li>• After you install the water supply line, you should wait 12 hours before you try dispensing ice. If the water is not sufficiently cooled, your refrigerator will take longer to make ice.</li> <li>• Make sure that the water line is connected and the water valve open. See <a href="#">Connecting the water supply</a> on page 19.</li> <li>• Make sure that the ice dispenser is not in off mode.</li> <li>• Make sure that no ice is blocking the ice maker bucket or ice chute.</li> <li>• If the water pressure is less than 30 psi, try installing a booster pump to compensate for the low pressure.</li> <li>• Make sure that the freezer compartment temperature is not set too warm. Try setting the freezer temperature lower. See <a href="#">Setting the freezer temperature</a> on page 23.</li> <li>• If you just dispensed a large amount of ice, wait at least 90 minutes before dispensing more ice.</li> </ul>
Water is not dispensing.	<ul style="list-style-type: none"> <li>• Make sure that the water line is connected and the water valve open. See <a href="#">Connecting the water supply</a> on page 19.</li> <li>• Make sure that the water line is not kinked or bent.</li> <li>• Make sure that the refrigerator compartment temperature is not set too low. If the temperature is too low, the water in the dispenser tank may freeze. See <a href="#">Setting the refrigerator temperature</a> on page 23.</li> <li>• Make sure that the water filter is correctly installed. See <a href="#">Replacing the water filter</a> on page 28.</li> </ul>
A layer of frost occurs in one of the compartments.	<ul style="list-style-type: none"> <li>• A layer of frost may occur on the compartment's interior walls if the freezer is opened frequently or kept open too long.</li> <li>• Make sure that the air outlets are not blocked by food.</li> <li>• Make sure that the doors are fully closed.</li> </ul> <p>To remove the frost, see <a href="#">Defrosting the freezer compartment</a> on page 28.</p>
The refrigerator door is hard to open.	<ul style="list-style-type: none"> <li>• When you open the refrigerator door, warm air rushes inside. When you close the door, the warm air rushes to the condenser which causes a vacuum. This causes the door to be hard to open for about 10 to 15 seconds after closing.</li> <li>• If the door is hard to open at other times, try rubbing paraffin wax or petroleum jelly along the edges of the entire gasket. Paraffin wax is used for canning and is safe for use around food.</li> </ul>
The compressor runs for a long time or turns on and off frequently.	<p>The compressor runs longer if:</p> <ul style="list-style-type: none"> <li>• The room temperature is high.</li> <li>• You just added a large amount of food. Wait for the food to freeze, then check again.</li> <li>• You open and close the door frequently.</li> <li>• The door gasket is dirty. Clean the gasket. See <a href="#">Cleaning your refrigerator</a> on page 27.</li> <li>• Your refrigerator has been disconnected for a period of time. Wait for your refrigerator to cool (about four hours) before adding food.</li> <li>• You have the temperature set too low.</li> </ul>
The light inside the refrigerator does not turn on.	<ul style="list-style-type: none"> <li>• Make sure that your refrigerator is plugged into a working outlet.</li> <li>• If a door stays open too long, your refrigerator automatically turns off the light. Close then open the door again.</li> <li>• Check to see if the light is damaged. If the light is damaged, have it replaced by a qualified service technician. See <a href="#">Replacing the LED light</a> on page 31.</li> </ul>
The refrigerator makes unusual noises or vibrations.	<p>The following sounds are normal:</p> <ul style="list-style-type: none"> <li>• Compressor running noises.</li> <li>• Air movement noise from the small fan motor in the freezer compartment or other compartments.</li> <li>• Gurgling sound similar to water boiling.</li> <li>• Popping noise during automatic defrosting.</li> <li>• Clicking noise before the compressor starts.</li> <li>• Clicking noise when you get the water.</li> <li>• Motor running noises when you get the ice.</li> </ul> <p>Other unusual noises or vibrations may occur:</p> <ul style="list-style-type: none"> <li>• If you have items on the top of your refrigerator. Remove the items.</li> <li>• If your refrigerator is not level. See <a href="#">Leveling your refrigerator</a> on page 12.</li> <li>• If your refrigerator is touching walls. Move it away from the walls.</li> <li>• If the shelves or drawers are installed incorrectly.</li> </ul>

PROBLEM	SOLUTION
The outside of the refrigerator is hot.	Heat dissipation from the condenser may make the outside feel hot. This is normal and happens if: <ul style="list-style-type: none"> <li>• The room temperature is high.</li> <li>• You have too much food in your refrigerator.</li> <li>• You open and close the doors excessively.</li> </ul>
Water condenses on the outside of the refrigerator.	<ul style="list-style-type: none"> <li>• Condensation on the exterior surface and door seal is normal when the room humidity is high.</li> <li>• When you open the door, warm, moist outside air meets the cold dry air inside your refrigerator. This is normal.</li> </ul>

## Specifications

### General

Exterior dimensions (W × D × H)	36 × 33.6 × 70 in. (91.4 × 85.4 × 177.8 cm)
Glass shelf (W × D × H)	15.5 × 3.4 × 18.7 in. (39.5 × 8.8 × 47.5 cm)
Fruit and vegetable crisper (W × D × H)	15.5 × 6.4 × 18.7 in. (39.3 × 16.4 × 47.6 cm)
Multi-function drawer (W × D × H)	28.8 × 4.5 × 19.3 in. (73.3 × 11.3 × 49 cm)
Weight	<b>Gross Weight:</b> 294.3 lbs (133.5 kg) <b>Net Weight:</b> 270 lbs (122.5 kg)
Power requirements	115V ~ 60Hz
Power cord length	6.6 ft. (2 m)

### Water filter

#### Chlorine Taste and Odor Reduction

This system has been tested according to NSF/ANSI 42 and 53 for reduction of the substances listed below. The concentration of the indicated substances in water entering the system was reduced to a concentration less than or equal to the permissible limit for water leaving the system, as specified in NSF/ANSI 42 and 53.



System tested and certified by NSF International against NSF/ANSI Standards 42 and 53 in Model WF26FD9-1 for reduction claims specified on the Performance Data Sheet.

**Notes:**

- While the testing was performed under standard laboratory conditions, actual performance may vary.
- Tested using a flow rate 0.5GPM, pressure of 60psi, temp of 68±5°F
- \* To a capacity of 300 gallons (1,136 liters)

### California

TRADEMARK/MODEL DESIGNATION	REPLACEMENT ELEMENTS
WF26FD9-1	NS-WF26FD9-1

Rated Service Capacity:300GAL	Rated Service Flow:0.5GPM
-------------------------------	---------------------------

**CAUTION:** Refer to the owner’s manual for proper maintenance and operation. If this device is not maintained and operated as specified in the owner’s manual, there is a risk of exposure to contaminants. For more information, visit the manufacturer’s Internet web site at [www.bestbuy.com](http://www.bestbuy.com) or the California State Water Resources Control Board’s web site at [www.waterboards.ca.gov](http://www.waterboards.ca.gov).

# ONE-YEAR LIMITED WARRANTY

## Definitions:

The Distributor\* of Insignia branded products warrants to you, the original purchaser of this new Insignia-branded product ("Product"), that the Product shall be free of defects in the original manufacture of the material or workmanship for a period of one (1) year from the date of your purchase of the Product ("Warranty Period").

For this warranty to apply, your Product must be purchased in the United States or Canada from a Best Buy branded retail store or online at [www.bestbuy.com](http://www.bestbuy.com) or [www.bestbuy.ca](http://www.bestbuy.ca) and is packaged with this warranty statement.

## How long does the coverage last?

The Warranty Period lasts for 1 year (365 days) from the date you purchased the Product. Your purchase date is printed on the receipt you received with the Product.

## What does this warranty cover?

During the Warranty Period, if the original manufacture of the material or workmanship of the Product is determined to be defective by an authorized Insignia repair center or store personnel, Insignia will (at its sole option): (1) repair the Product with new or rebuilt parts; or (2) replace the Product at no charge with new or rebuilt comparable products or parts. Products and parts replaced under this warranty become the property of Insignia and are not returned to you. If service of Products or parts are required after the Warranty Period expires, you must pay all labor and parts charges. This warranty lasts as long as you own your Insignia Product during the Warranty Period. Warranty coverage terminates if you sell or otherwise transfer the Product.

## How to obtain warranty service?

If you purchased the Product at a Best Buy retail store location or from a Best Buy online website ([www.bestbuy.com](http://www.bestbuy.com) or [www.bestbuy.ca](http://www.bestbuy.ca)), please take your original receipt and the Product to any Best Buy store. Make sure that you place the Product in its original packaging or packaging that provides the same amount of protection as the original packaging.

To obtain warranty service, in the United States and Canada call 1-877-467-4289. Call agents may diagnose and correct the issue over the phone.

## Where is the warranty valid?

This warranty is valid only in the United States and Canada at Best Buy branded retail stores or websites to the original purchaser of the product in the country where the original purchase was made.

## What does the warranty not cover?

This warranty does not cover:

- Customer instruction/education
- Installation
- Set up adjustments
- Cosmetic damage
- Damage due to weather, lightning, and other acts of God, such as power surges
- Accidental damage
- Misuse
- Abuse
- Negligence
- Commercial purposes/use, including but not limited to use in a place of business or in communal areas of a multiple dwelling condominium or apartment complex, or otherwise used in a place of other than a private home.
- Modification of any part of the Product, including the antenna
- Display panel damaged by static (non-moving) images applied for lengthy periods (burn-in).
- Damage due to incorrect operation or maintenance
- Connection to an incorrect voltage or power supply
- Attempted repair by any person not authorized by Insignia to service the Product
- Products sold "as is" or "with all faults"
- Consumables, including but not limited to batteries (i.e. AA, AAA, C etc.)
- Products where the factory applied serial number has been altered or removed
- Loss or Theft of this product or any part of the product
- Display panels containing up to three (3) pixel failures (dots that are dark or incorrectly illuminated) grouped in an area smaller than one tenth (1/10) of the display size or up to five (5) pixel failures throughout the display. (Pixel based displays may contain a limited number of pixels that may not function normally.)
- Failures or Damage caused by any contact including but not limited to liquids, gels or pastes.

REPAIR REPLACEMENT AS PROVIDED UNDER THIS WARRANTY IS YOUR EXCLUSIVE REMEDY FOR BREACH OF WARRANTY. INSIGNIA SHALL NOT BE LIABLE FOR ANY INCIDENTAL OR CONSEQUENTIAL DAMAGES FOR THE BREACH OF ANY EXPRESS OR IMPLIED WARRANTY ON THIS PRODUCT, INCLUDING, BUT NOT LIMITED TO, LOST DATA, LOSS OF USE OF YOUR PRODUCT, LOST BUSINESS OR LOST PROFITS. INSIGNIA PRODUCTS MAKES NO OTHER EXPRESS WARRANTIES WITH RESPECT TO THE PRODUCT, ALL EXPRESS AND IMPLIED WARRANTIES FOR THE PRODUCT, INCLUDING BUT NOT LIMITED TO ANY IMPLIED WARRANTIES OF AND CONDITIONS OF MERCHANTABILITY AND FITNESS FOR A PARTICULAR PURPOSE, ARE LIMITED IN DURATION TO THE WARRANTY PERIOD SET FORTH ABOVE AND NO WARRANTIES, WHETHER EXPRESS OR IMPLIED, WILL APPLY AFTER THE WARRANTY PERIOD. SOME STATES, PROVINCES AND JURISDICTIONS DO NOT ALLOW LIMITATIONS ON HOW LONG AN IMPLIED WARRANTY LASTS, SO THE ABOVE LIMITATION MAY NOT APPLY TO YOU. THIS WARRANTY GIVES YOU SPECIFIC LEGAL RIGHTS, AND YOU MAY ALSO HAVE OTHER RIGHTS, WHICH VARY FROM STATE TO STATE OR PROVINCE TO PROVINCE.

Contact Insignia:

**1-877-467-4289**

[www.insigniaproducts.com](http://www.insigniaproducts.com)

INSIGNIA is a trademark of Best Buy and its affiliated companies.

\*Distributed by Best Buy Purchasing, LLC

7601 Penn Ave South, Richfield, MN 55423 U.S.A.

©2021 Best Buy. All rights reserved.

INSIGNIA™

**For product inquiries, please contact us with the information below:**

**1-877-467-4289**

**[www.insigniaproducts.com](http://www.insigniaproducts.com)**

INSIGNIA is a trademark of Best Buy and its affiliated companies.

Distributed by Best Buy Purchasing, LLC

7601 Penn Ave South, Richfield, MN 55423 U.S.A.

©2021 Best Buy. All rights reserved.

V7 ENGLISH  
21-0220