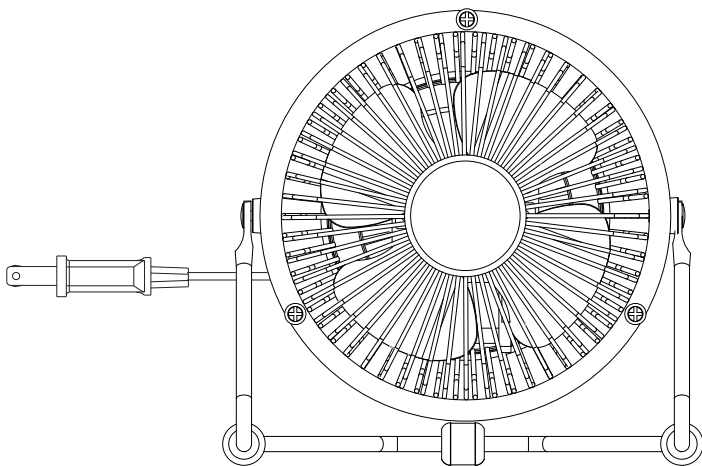


### PACKAGE CONTENTS

- 4" high velocity personal fan
- *Quick Setup Guide*

### FEATURES

- Whisper quiet motor
- Adjustable tilt angle head



Before using your new product, please read these instructions to prevent any damage.

### IMPORTANT SAFETY INSTRUCTIONS

#### READ AND SAVE THESE IMPORTANT INSTRUCTIONS

- 1 Use your fan only as described in this *Quick Setup Guide*.
- 2 Do not use your fan if it works intermittently, stops working entirely, or parts are missing or damaged.
- 3 To reduce the risk of fire or electrical shock, DO NOT use this fan with any solid-state speed control devices (such as a dimmer switch) or expose it to water.
- 4 To help prevent electrical shock, do not immerse your fan, plug, or power cord in water or spray it with liquids.
- 5 Close supervision is needed when your fan is being used near children.
- 6 Unplug your fan before moving or cleaning it, or when it is not in use.
- 7 Never insert fingers or other objects through the grill while the fan is running.
- 8 Make sure your fan is on a stable surface during use so it won't overturn.
- 9 Do not use your fan in an open window. Rain may cause an electrical hazard.
- 10 Do not use your fan near explosive or flammable fumes.
- 11 Do not place your fan or its parts near an open flame, stove, or other heating appliances.
- 12 Do not use your fan if the cord or plug is damaged. Throw your fan away or return it to an authorized service facility for examination and/or repair.
- 13 Do not use your fan after a malfunction, drop, or if it is damaged in any way.
- 14 To unplug, pull the plug from the power outlet. Never yank on the power cord.
- 15 Always use your fan on a dry surface.
- 16 This fan is intended for household use only. Do not use it for commercial or industrial use.
- 17 Do not use this fan near curtains, plants, window treatments, or other loose fabrics.

- 18 This fan uses a fuse for overload protection. A blown fuse indicates that an overload or short-circuit has occurred. If the fuse blows, unplug the fan from the outlet, then replace the fuse as indicated (using only a 2.5 Amp, 125 Volt fuse). If the replacement fuse blows, a short-circuit may be present and the product should be thrown away or returned to an authorized service facility for examination and/or repair.
- 19 Do not run the power cord under carpeting, throw rugs, runners, or other coverings. Do not route the cord under furniture or appliances. Keep the cord away from traffic areas where it could be tripped over.

#### Polarized plug

- This appliance has a polarized plug (one blade is wider than the other). To reduce the risk of electric shock, this plug is intended to fit in a polarized outlet only one way.
- If the plug does not fit fully into the outlet, reverse the plug and try again. If it still does not fit, contact a qualified electrician. Do not attempt to defeat this safety feature.

#### Power cord

- To insert the plug, hold it firmly and guide it into the outlet.
- To unplug, hold the plug and remove it from the outlet.
- Never pull or yank on the cord or fan.
- Check the cord for cuts and abrasion marks before each use.
- Do not wrap the cord tightly around the fan. This could stress the cord where it enters the fan and cause it to fray and break.

### USING YOUR FAN

- 1 Set your fan on a dry and level surface.
- 2 Plug in the fan.
- 3 Adjust the fan to the angle that you want.
- 4 Turn the control knob to **ON**.

## CARE AND MAINTENANCE

- Turn the control knob to **OFF** and unplug your fan before cleaning.
- Use a soft, damp cloth to clean your fan.
- Do not immerse your fan in water or allow water to drip into the motor housing.
- Do not use gasoline, paint thinner, or other chemicals to clean your fan.
- Store your fan in its original box or cover it to protect it from dust.
- Store your fan in a cool, dry place.

## REPLACING THE FUSE

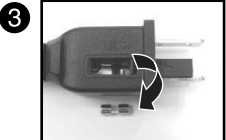
If your fan stops working, you may need to replace the fuse.

**Warning:** Risk of fire. Replace only with a 2.5 Amp, 125 Volt fuse.

- 1 Unplug your fan.
- 2 Slide the fuse cover towards the blades until you can see the entire fuse.
- 3 Carefully pry out the old fuse.
- 4 Push the new fuse into the compartment, then slide the fuse cover closed. Your fan is ready for normal use.



OPEN



← CLOSE

## ONE-YEAR LIMITED WARRANTY

Visit [www.insigniaproducts.com](http://www.insigniaproducts.com) for details.

## CONTACT INSIGNIA:

For customer service, call 1-877-467-4289 (U.S. and Canada) or 01-800-926-3000 (Mexico)

[www.insigniaproducts.com](http://www.insigniaproducts.com)

INSIGNIA is a trademark of Best Buy and its affiliated companies.  
Distributed by Best Buy Purchasing, LLC  
©2015 Best Buy. All rights reserved.  
**Made in China**