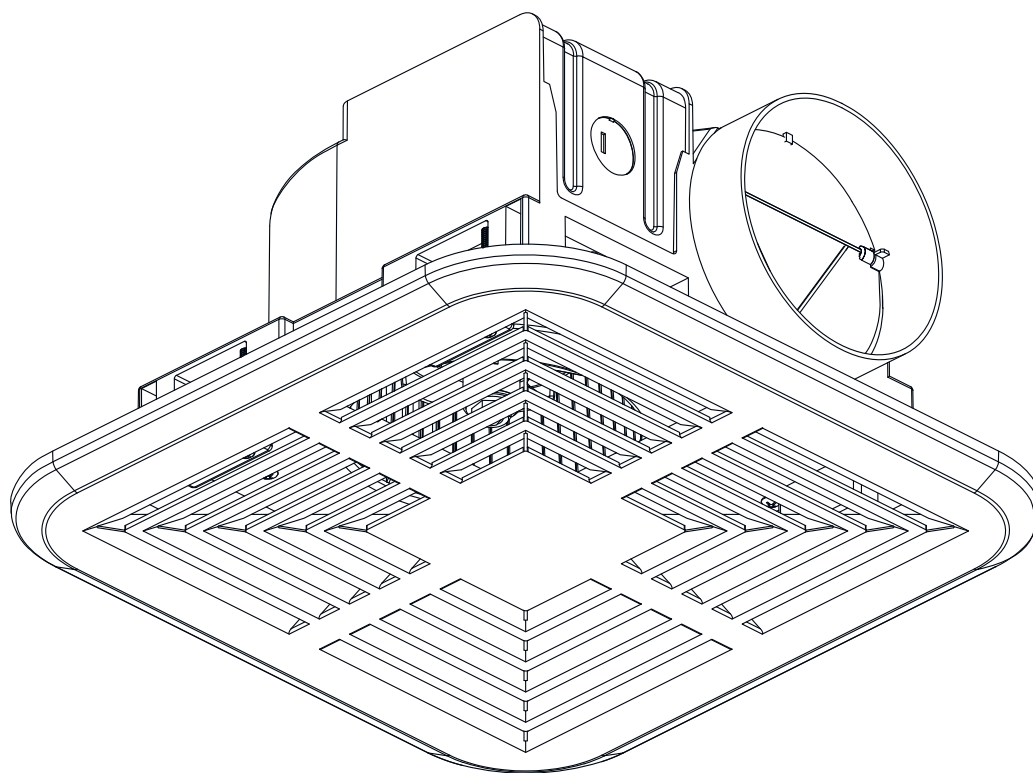


USE AND CARE GUIDE

READ AND SAVE THESE INSTRUCTIONS

Exhaust Fan

43001-AW



Questions, problems, missing parts? Before returning to the store,
Customer Service: support@ceilingfanhelp.com

Packaging Diagram

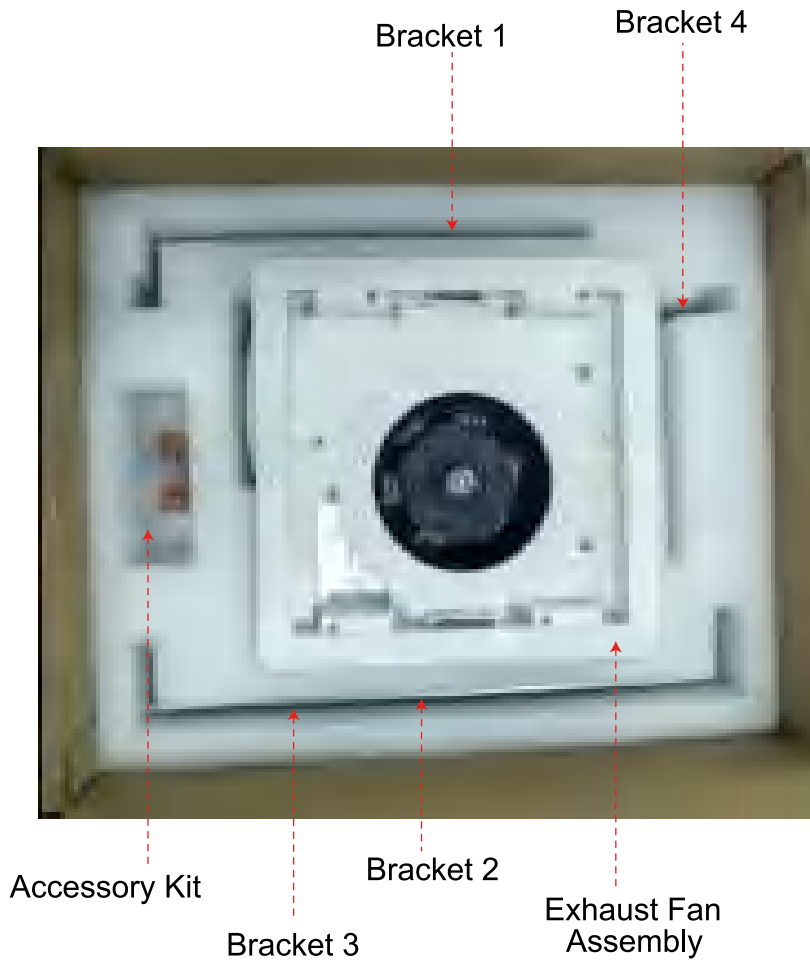


Table of Contents

Homepage Cover	1	Exploded View.....	6
Packaging Diagram.....	2	Suspended Installation Method	7-8
Warning Page.....	3	Embedded Installation Method	9-10
Pre-Installation	4	Switch Diagram	11
Accessory Items.....	5	Care and Maintenance	12

Safety Information

READ AND SAVE THESE INSTRUCTIONS.

1. To reduce the risk of electric shock, ensure electricity has been turned off at the circuit breaker or fuse box before you begin.
2. All wiring must be in accordance with the National Electrical Code "ANSI/NFPA 70" and local electrical codes. Electrical installation should be performed by a qualified licensed electrician.
3. All wiring must comply with the National Electrical Code ANSI/NFPA70 and local electrical regulations. Electrical installation should be carried out by qualified and certified electricians.
4. To clean the fixture, turn off the power, wait for it to cool, and wipe the fixture with a clean dry, soft cloth.
5. After making electrical connections, spliced conductors should be turned upward and pushed carefully up into the outlet box. The wires should be spread apart with the grounded conductor and the equipment grounding conductor on one side of the outlet box and ungrounded conductor on the other side of the outlet box.
6. All screws must be checked and retightened where necessary before installation.



WARNING: To reduce the risk of electrical shock or fire, do not use this fan with any solid-state fan speed control device. It will permanently damage the electronic circuitry.



WARNING: To reduce the risk of fire or injury, do not use this product in conjunction with any variable (rheostat) wall control.



WARNING: To reduce the risk of personal injury, do not bend the blade brackets when installing the brackets balancing the blades, or cleaning the fan. Do not insert objects.



WARNING: To avoid possible electrical shock, turn the electricity off at the main fuse box before wiring.



WARNING: To reduce the risk of electrical shock, this fan should not be installed with an isolating wall control or switch, as it may cause incompatibility issues.



CAUTION: To reduce the risk of personal injury, use only the screws provided with the outlet box.

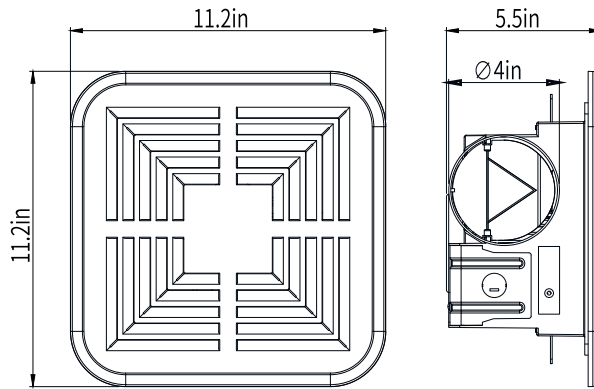


CAUTION: Please use carefully when working around or cleaning the fan to avoid injury or damage to the fan.

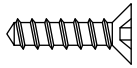


CAUTION: Changes or modifications not expressly approved by the party responsible for compliance could void the user's authority to operate the equipment.

Dimension Reference



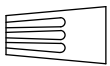
Hardware Included



S1



S2



S3

Hardware Package

Quantity

S1.Wood Screw

6

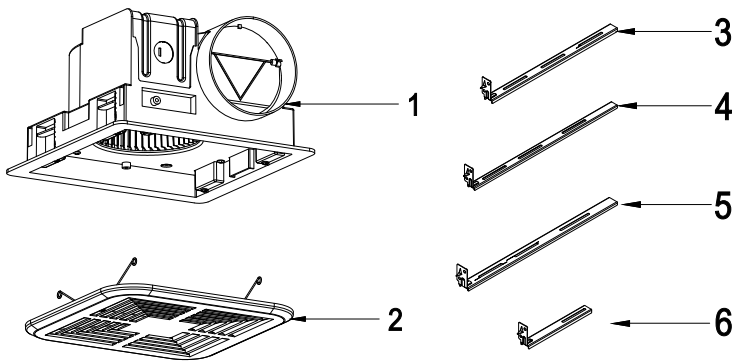
S2.Self-tapping Screw

3

S3.Wiring Cap

3

Exhaust fan accessories



Item Name

Quantity

1. Exhaust Fan Assembly

1

2. Panel Component

1

3. Bracket 1

1

4.Bracket 2

1

5.Bracket 3

1

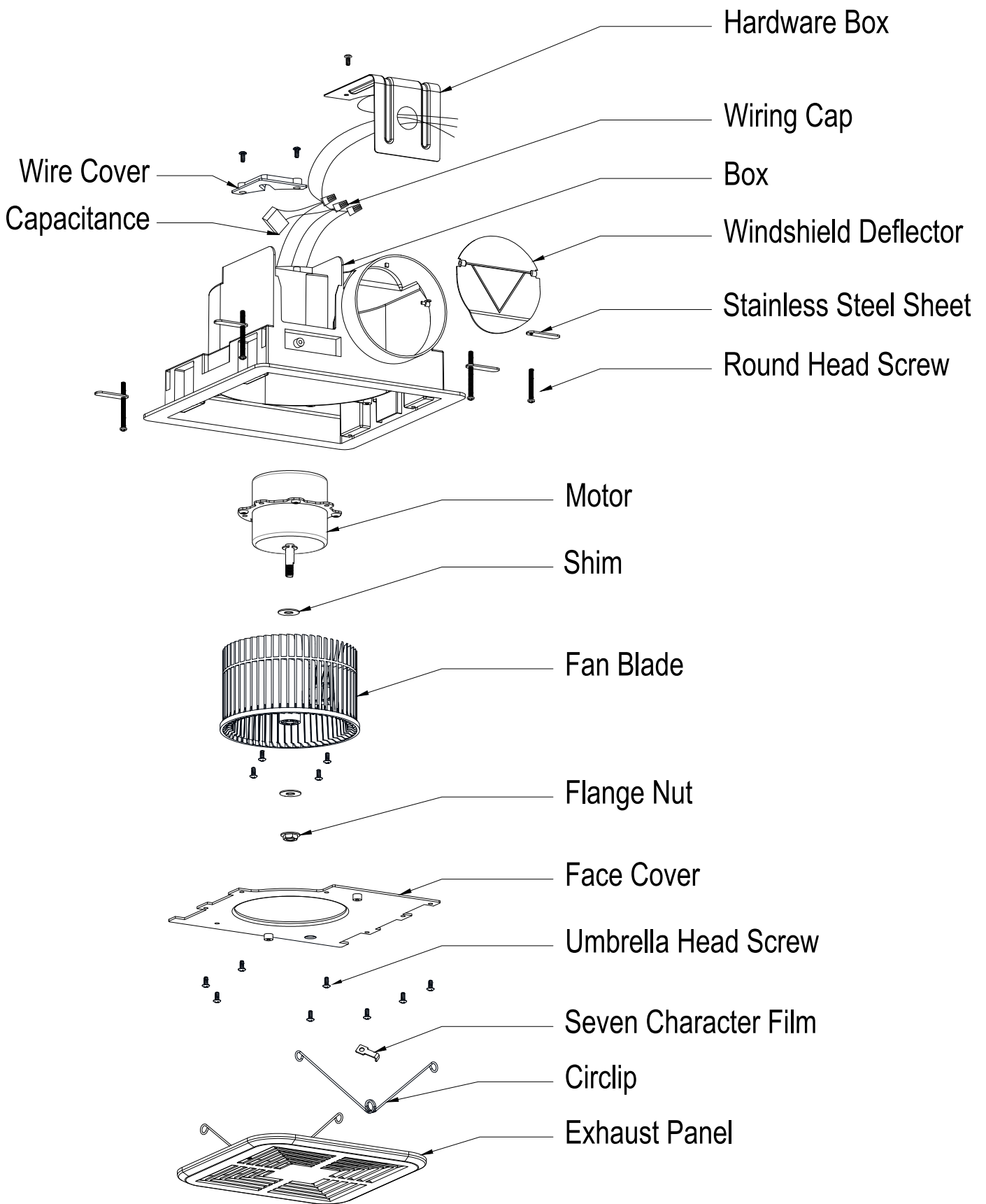
6. Bracket 4

1

Product Specifications

Model: 43001-AW	CTM: 80CFM
Power: 22W	AC: 120V 60HZ
Cutout Size: L215*W215MM	

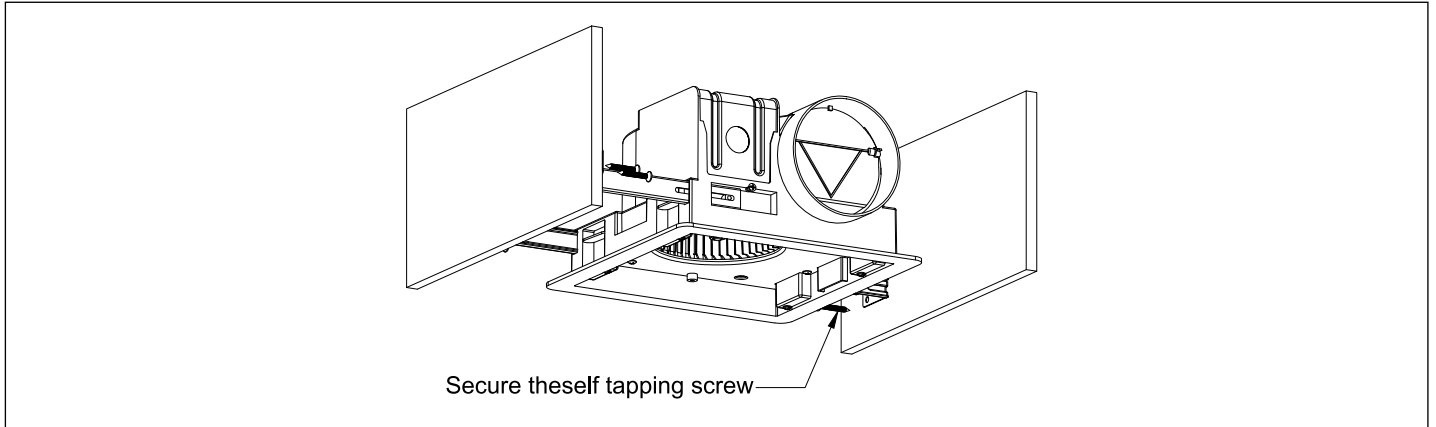
Exploded View



Suspended Installation Method

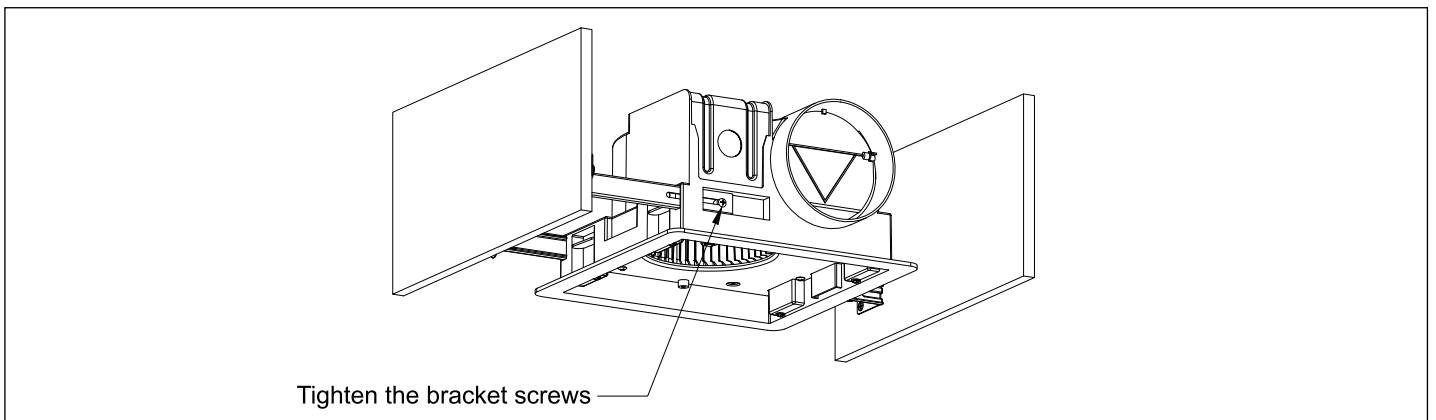
Step 1: Secure the self-tapping screw

- Attention: Adjust the position of the exhaust fan, Make its bottom edge level with the ceiling.



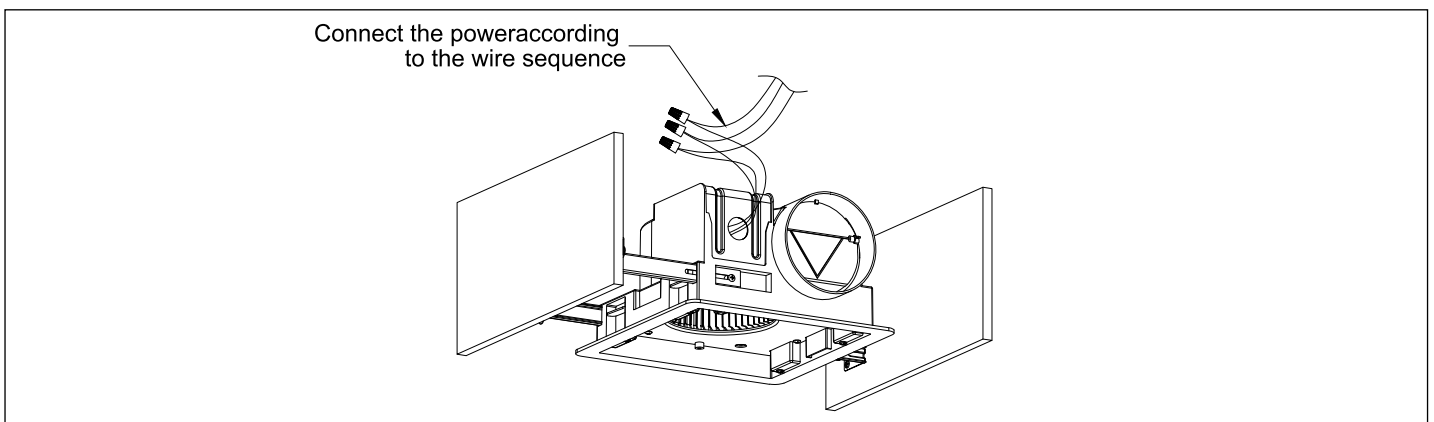
Step 2: Tighten the bracket screws

- Caution: Use tools to secure the screws to the bracket.



Step 3: Connect the power according to the wire sequence

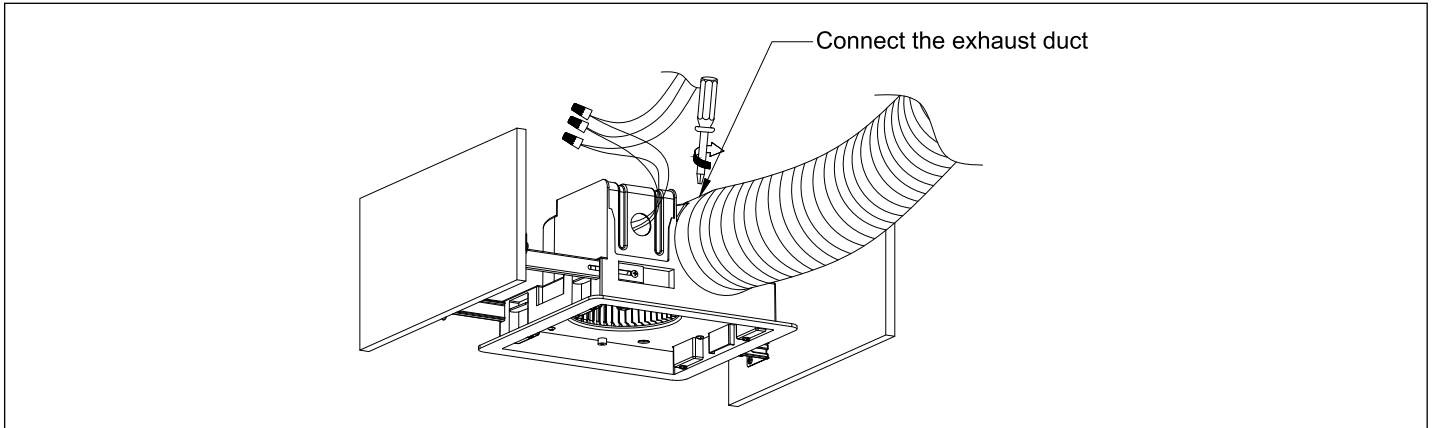
- Attention: Power off during wiring operation.



Suspended Installation Method

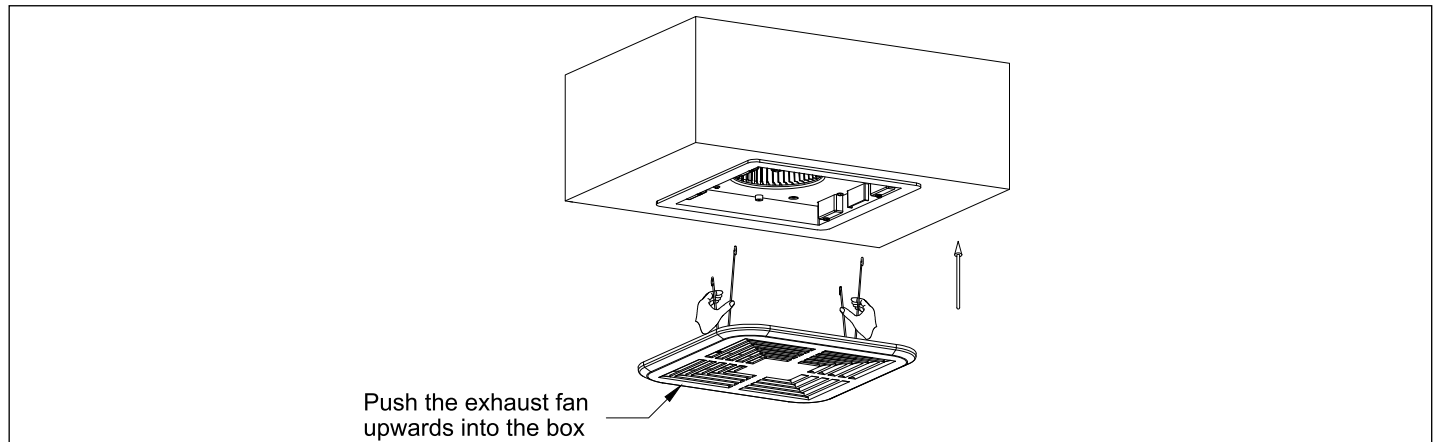
Step 4: Connect the exhaust duct

- Attention: Be careful not to have any bends or corners in the pipeline, which may affect the exhaust efficiency.



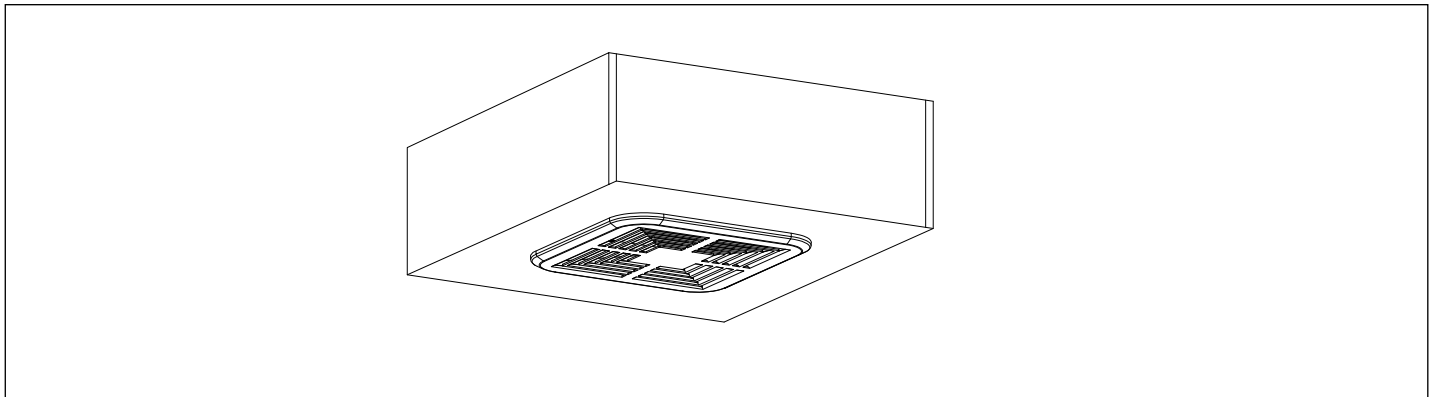
Step 5: Push the exhaust fan upwards into the box

- Attention: Insert the spring into the slot of the box.



Step 6: Installation completed

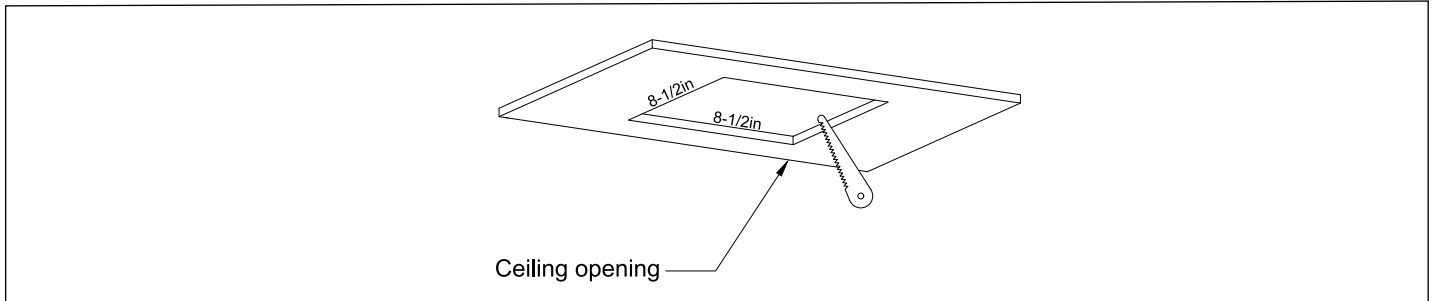
- Attention: Fine tune the exhaust panel to fasten it in the center, and then turn on the power to test whether the exhaust fan is working properly.



Embedded Installation Method

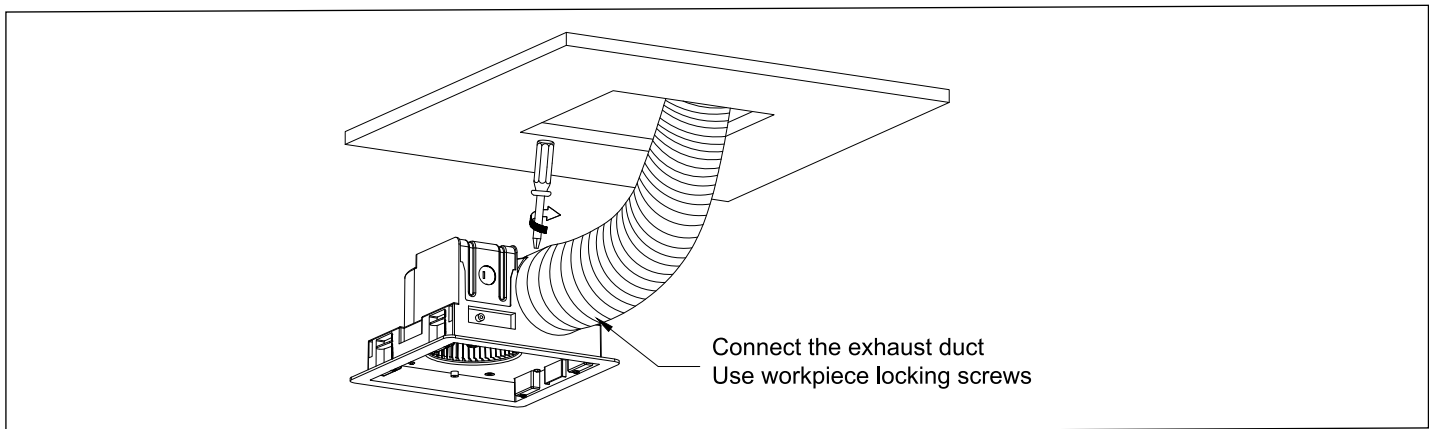
Step 1: Ceiling opening

- Attention: When opening holes in the ceiling, pay attention to the tolerance of the hole position. The tolerance should be controlled within 5MM.



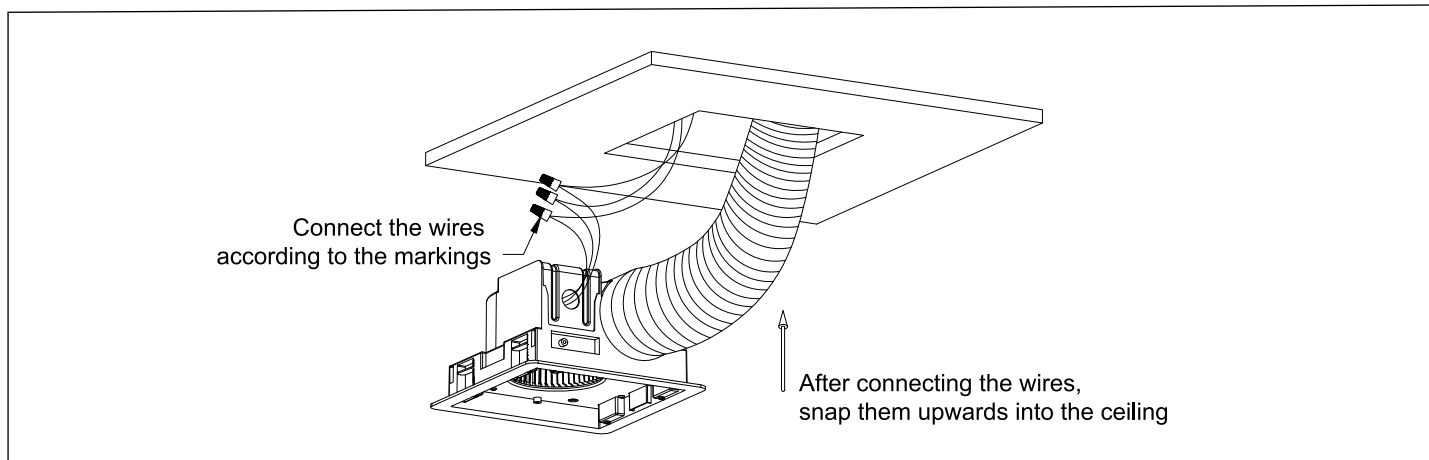
Step 2: Connect the exhaust duct. Use workpiece locking screws

- Attention: Place the exhaust duct properly, Avoid corners that affect ventilation.



Step 3: Connect the wires according to the markings

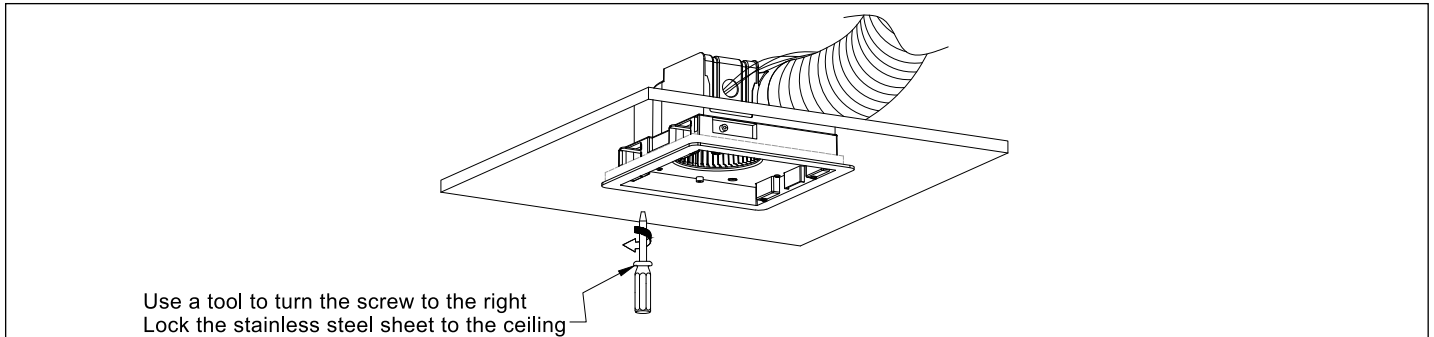
- Attention: Power off during wiring operation.



Embedded Installation Method

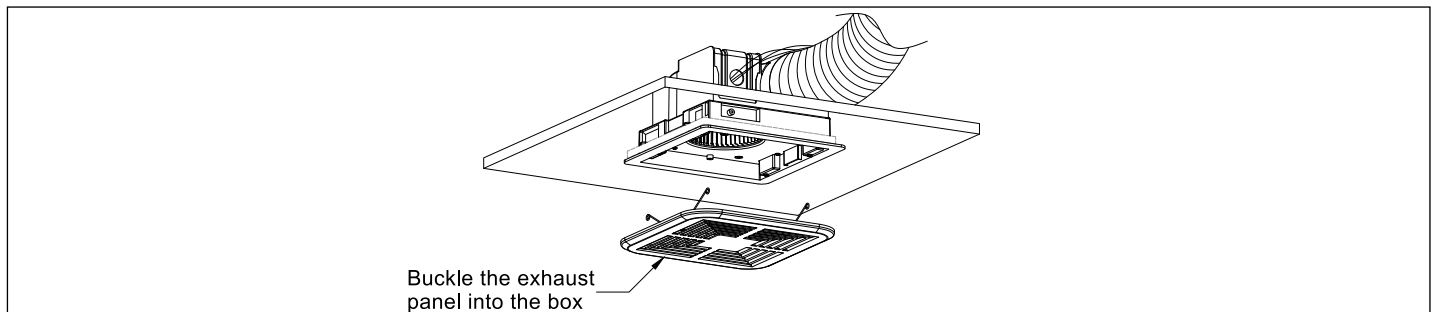
Step 4: Use a tool to turn the screw to the right. Lock the stainless steel sheet to the ceiling.

- Attention: Secure the screws around firmly. Based on the fact that the box is not loose.



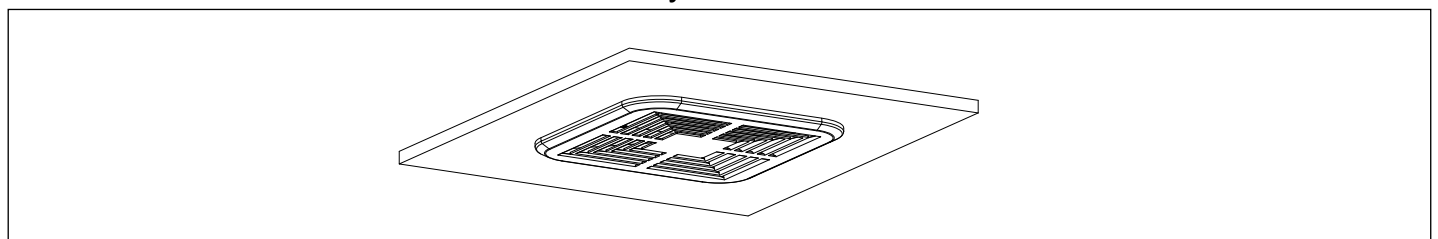
Step 5: Buckle the exhaust panel into the box

- Attention: 1. First, power on and test whether the exhaust fan can operate normally.
2. Insert the exhaust panel into the slot of the box.



Step 6: Installation completed

- Attention: After fine-tuning the exhaust panel to center and fasten it tightly.
Turn on the switch and it works normally.

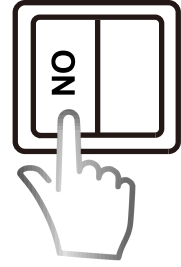
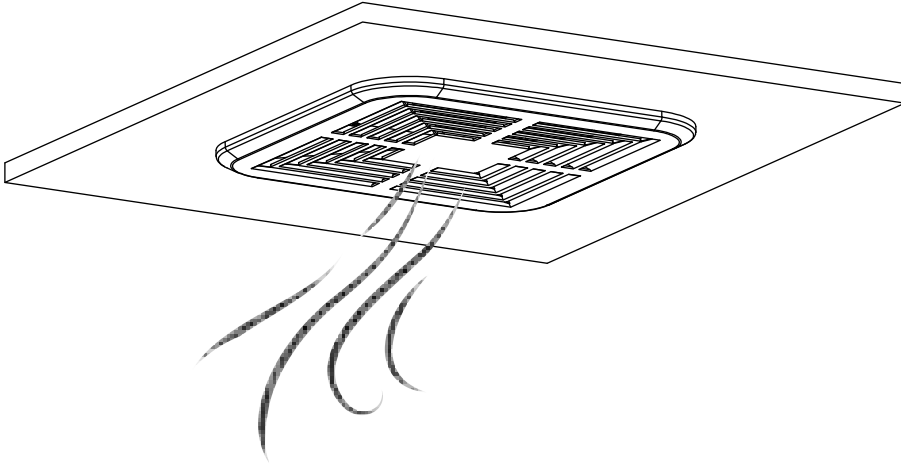


Precautions:

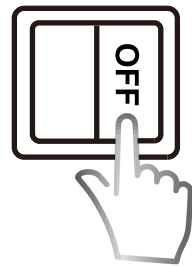
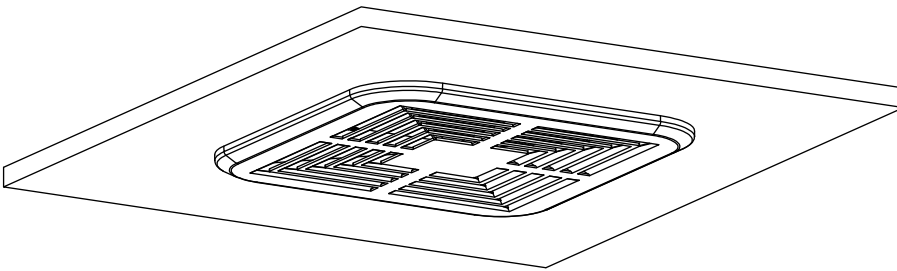
- *The manufacturer recommends the correct use of exhaust fans. Please follow this guide for proper and safe installation and use, and keep this guide for reference.
- *Before installation, maintenance, or repair, the power must be disconnected and live operation is prohibited.
- *If you have any questions, please consult a professional electrician or contact a retailer to ensure installation complies with relevant regulations. Some special regulations require exhaust fans to be installed by professional electricians.
- *Ensure that the wiring is secure, and after connecting the wire, try pulling it. If the wire end is not clamped and falls off, it must be reconnected and confirmed again.
- *Before installation, pay attention to the color of the wires. Blue is the neutral wire, brown is the live wire, and yellow green is the grounding wire.

Switch Diagram

Turn on the exhaust fan



Turn off the exhaust fan



Care and Maintenance

WARNING: Disconnect power supply before servicing. See SAFETY INFORMATION before proceeding.

Routine maintenance should be done at least once a year.

- Wipe grille with a dry cloth.
- . Remove excess dirt and dust from the fan housing with a vacuum cleaner.
- . Do not use solvents, thinner or harsh chemicals for cleaning the fan.
- . Do not allow water to enter the motor.
- . Do not immerse resin parts in water over 140° F.

Troubleshooting

PROBLEM	POSSIBLE CAUSE	CORRECTIVE ACTION
The fan seems louder than it should	CFM too great	Be sure the CFM rating on the fan matches the size of your room
	Damper not working properly or damaged	Check damper to ensure it is opening and closing properly. If the damper has become damaged, please call Customer Service
	Bend in duct too close to fan discharge	Be sure you do not have any sharp bends in duct closer than 18 in to the fan discharge
	Fan discharge reduced to fit smaller duct	Use recommended size ducting to reduce fan noise
	Fan housing not securely attached	Be sure the fan is securely attached to your ceiling joists
The fan is not clearing the room	Insufficient intake airflow within room	Be sure a door or window is slightly ajar or opened to allow airflow. The fan is not able to draw air out of the room without enough airflow to draw from
	Insufficient CFM	Be sure the CFM rating on the fan matches the requirements for your room size NOTE: Using a tissue is not an accurate method for determining if the fan is operating properly. If the fan clears steam from the room within approximately 15 minutes of completing your shower, then the fan is operating properly

Limited 3-Year Warranty

If this product fails due to a defect in materials or workmanship at any time during the first ONE years of ownership the manufacturer will replace it free of charge, postage-paid at their option. This warranty does not cover products that have been abused, altered, damaged, misused, cut or worn. This warranty does not cover use in commercial applications. Use only manufacturer-supplied genuine warranty repair replacement parts to repair this fan. Use of non-genuine repair parts will void your warranty. The manufacturer DISCLAIMS all other implied or express warranties including all warranties of merchantability and/or fitness for a particular purpose. As some states do not allow exclusions or limitations on an implied warranty, the above exclusions and limitations may not apply. This warranty gives you specific legal rights, and you may have other rights that vary from state to state.

This warranty is limited to the replacement of defective parts only. Labor charges and/or damage incurred during installation, repair, replacement as well as incidental and consequential damages connected with the above are excluded. Any damage to this product as a result of neglect, misuse, accident, improper installation or use other than the purpose SHALL VOID THIS WARRANTY.

Shipping costs for return products as part of a claim on the warranty must be paid for by the customer.