

BT-873 PARTS

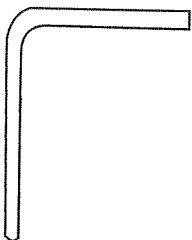
(1)X4



(2)X4

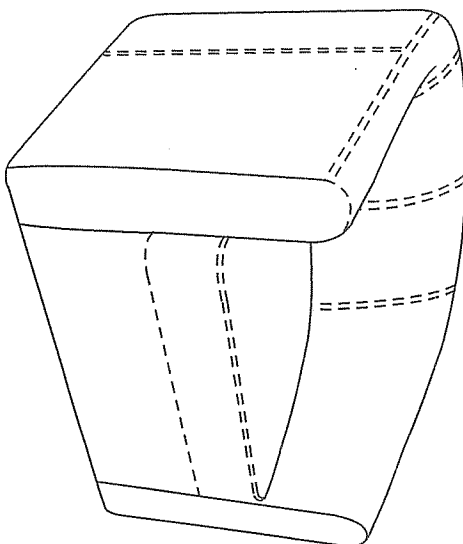


(3)X1

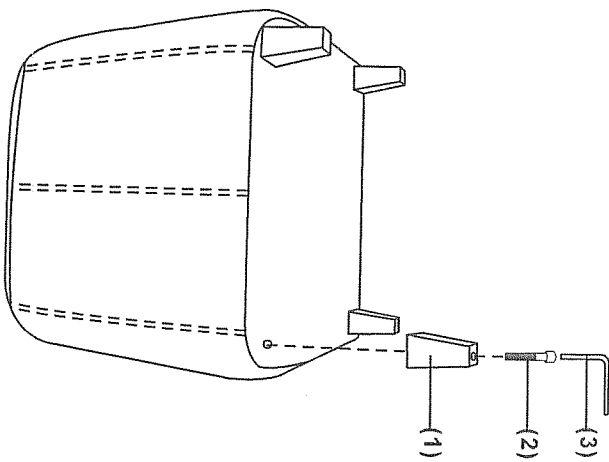


ASSEMBLY INSTRUCTION

①



②



③

