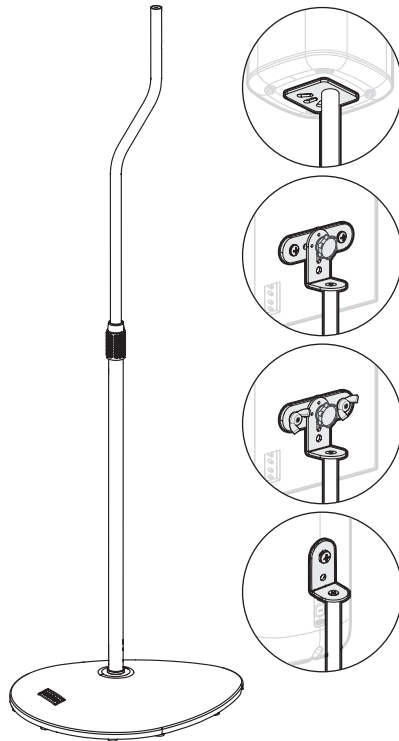


INSIGNIA™

ASSEMBLY GUIDE GUÍA DE MONTAJE

Satellite Speaker Stands Bases para altavoces satélite

NS-SPST2B



Before using your new product, please read these instructions to prevent any damage.
Antes de usar su producto nuevo, lea este instructivo para evitar cualquier daño.

ENGLISH

Contents

Introduction	3
Important Safety Instructions	3
Features	4
Package contents	4
Dimensions	4
Parts	5
Hardware	5
Tools needed (not provided)	5
Installation instructions	6
Specifications	18
ONE-YEAR LIMITED WARRANTY	19

ESPAÑOL

Índice

Introducción	21
Instrucciones importantes de seguridad	21
Características	22
Contenido del paquete	22
Dimensiones	22
Piezas	23
Accesorios	23
Herramientas necesarias (no suministradas)	23
Instrucciones de instalación	24
Especificaciones	36
GARANTÍA LIMITADA DE UN AÑO	37

ENGLISH

Introduction

Congratulations on your purchase of a high-quality Insignia product. Your NS-SPST2B speaker stands are designed for reliable and trouble-free performance.

Important Safety Instructions

Read all instructions before use.

Keep these instructions.



CAUTION: Avoid potential personal injuries and property damage!

- Check your speaker's documentation to see if there are any special requirements for mounting your speaker.
- Read through these instructions completely to be sure you're comfortable with this installation process.
- Do not use this product for any purpose not explicitly specified by the manufacturer.
- The manufacturer is not responsible for damage or injury caused by incorrect assembly or use.
- If you do not understand these instructions or have doubts about the safety of the installation, assembly, or use of this product, contact Customer Service at 1-877-467-4289.
- The weight of your speakers must not exceed 4 lbs. (1.8 kg).
- This product contains small items that could be a choking hazard if swallowed. Keep these items away from young children!

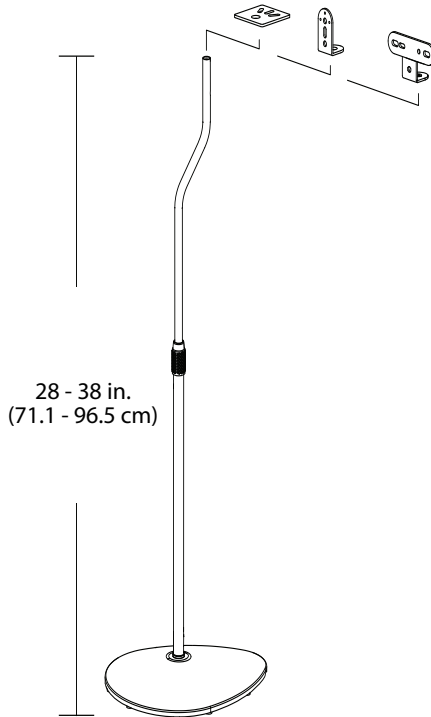
Features

- 28 – 38 in. (71.1 – 96.5 cm) of height adjustment, place your speakers where you want them
- Wide-ranging capability supports most popular speaker brands weighing up to 4 lbs. (1.8 kg)
- Integrated cable management system conceals and organizes your cables
- Wide, teardrop-shaped base guards against accidental tip-overs
- Durable steel frame adds strength and sturdiness

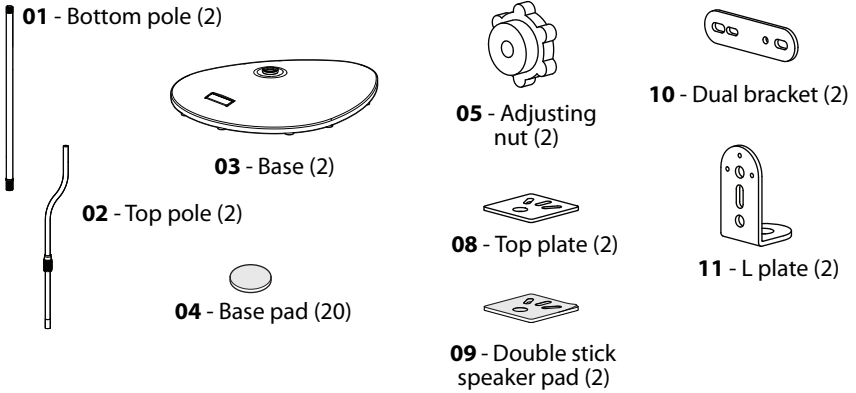
Package contents

- Speaker stand (2)
- Assembly hardware
- *Assembly Guide*

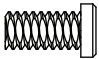
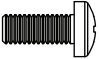


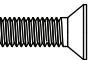
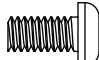
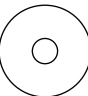


Dimensions



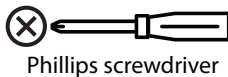
Parts



Hardware

#	Hardware	Qty	#	Hardware	Qty
06	 1/4 - 20 x 12 mm screw	4	15	 M4 x 10 mm screw	2
07	 1/4 - 20 wing nut	4	16	 M5 x 12 mm screw	4
12	 M5 x 15 mm screw	2	17	 1/4 - 20 x 1/2 in. screw	4
13	 M4 washer	2	18	 Hook 'n loop strap	10
14	 M4 x 7 mm screw	2			

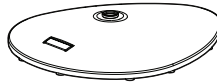
Tools needed (not provided)



Installation instructions

STEP 1 - Installing the base pads

You will need

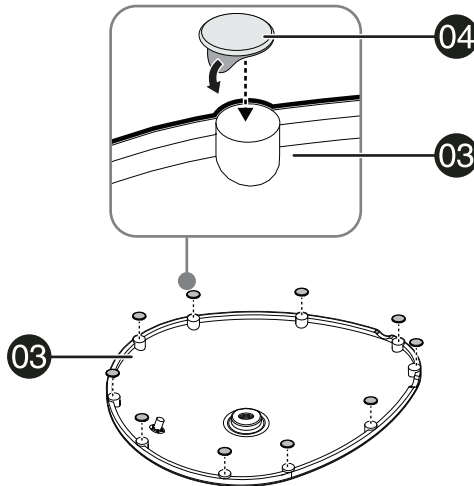


03 - Base (2)

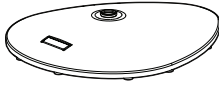


04 - Base pad (20)

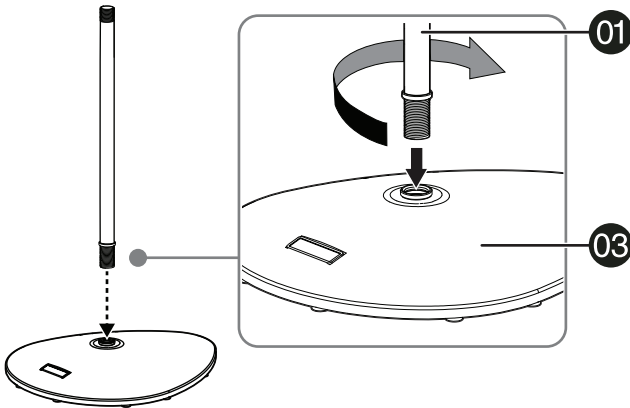
- 1 Carefully place the base (**03**) top-down on a cushioned, clean surface to protect it from scratches or damage.
- 2 Clean the 10 pad locations with denatured or isopropyl alcohol so that the base pads (**04**) will bond securely.
- 3 Remove the paper backing from the 10 base pads (**04**) and place them on the pad locations on the base (**03**).



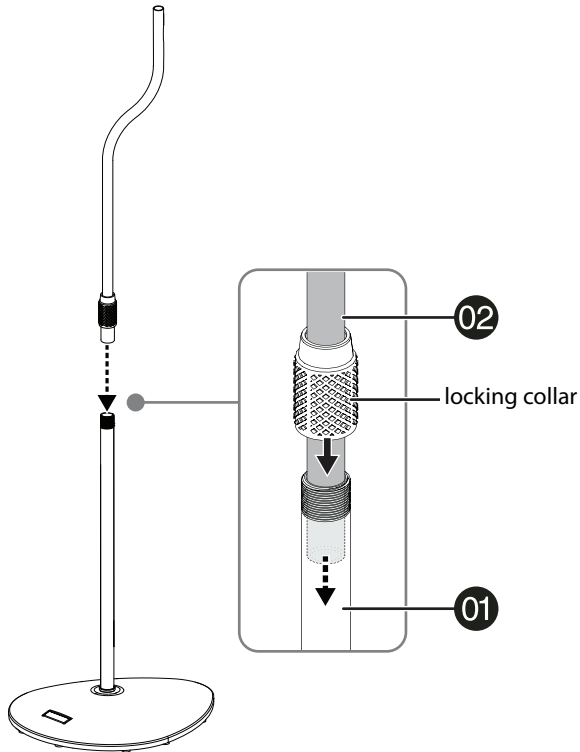
- 4 Repeat for the second base (**03**).

STEP 2 - Attaching the pole to the base and adjusting the height**You will need****03 - Base (2)****01 - Bottom pole (2)****02 - Top pole (2)**

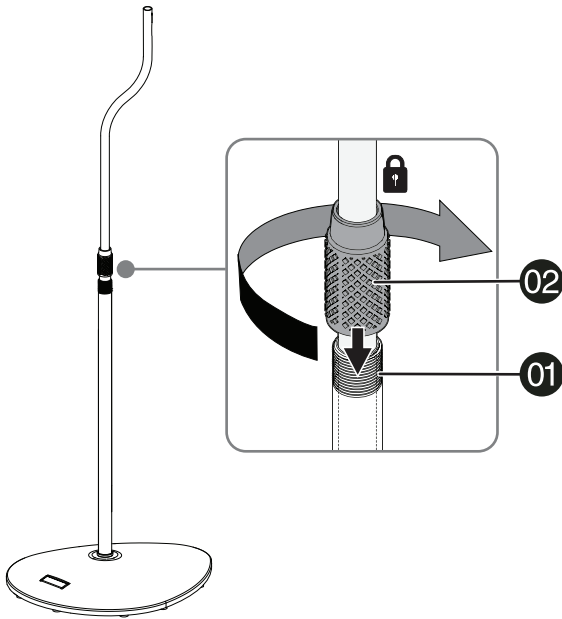
- 1 Carefully screw the bottom pole (01) clockwise into the base (03). Make sure that you screw the pole fully into the base to ensure stability.



- 2 Insert the top pole (02) into the bottom pole (01), lift it up or down to adjust to the height you want, then tighten the locking collar by turning it clockwise only until the top pole does not slip down.



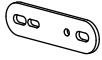
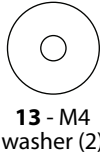
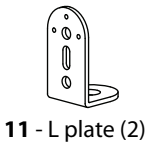
- Adjust the top pole (02) so that the curved section is over the long section of the bottom pole (01), then fully tighten the locking collar by turning it clockwise.



- Repeat for the second speaker stand.

STEP 3 - Option 1: Attaching rear-mount speakers with threaded screw inserts

You will need



Screws

14 - M4 x 7 mm (2)

OR

15 - M4 x 10 mm (2)

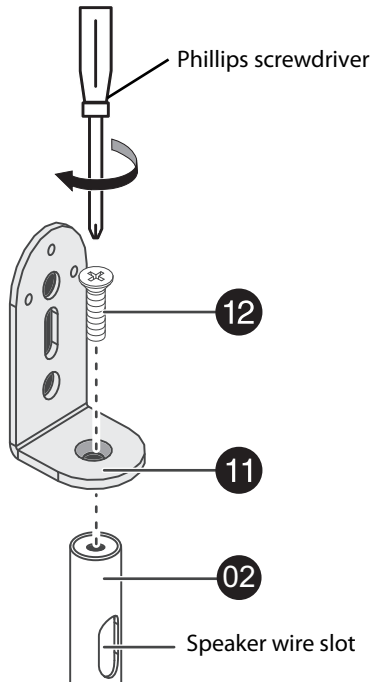
16 - M5 x 12 mm (2 or 4)

OR

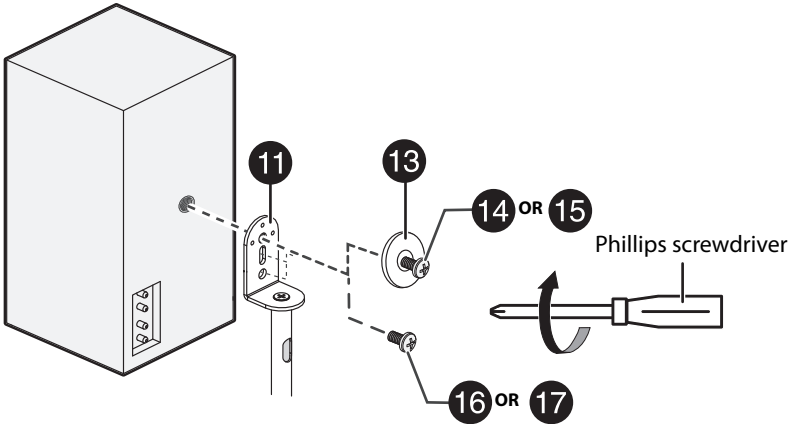
17 - 1/4 - 20 x 1/2 in. (2 or 4)

12 - M5 x 15 mm (2)

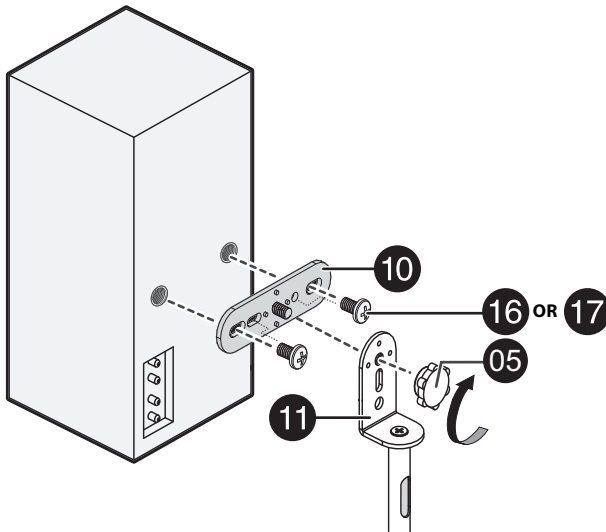
- 1 Attach the L plate (**11**) to the top pole (**02**) with an M5 x 15 mm screw (**12**), with the speaker wire slot arranged as shown. Tighten securely with a Phillips screwdriver.



- 2 For speakers with a single hole in the back** - Attach your speaker to the stand using an M4 washer (13) and an M4 x 7 mm screw (14), an M4 x 10 mm screw (15), or an M5 x 12 mm screw (16) or 1/4 - 20 x 1/2 in. screw (17) with no washer. Tighten securely with a Phillips screwdriver, then skip to [STEP 4 - Routing the speaker cables](#) on page 17.

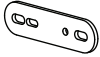


- 3 For speakers with two holes in the back** - Attach the dual bracket (10) to your speaker (threaded screw facing outwards) with two M5 x 12 mm screws (16), or two 1/4 - 20 x 1/2 in. screws (17). Tighten securely. Attach your speaker/bracket assembly to the stand with an adjusting nut (05). Tighten securely then skip to [STEP 4 - Routing the speaker cables](#) on page 17.

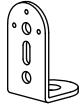


STEP 3 - Option 2: Attaching rear-mount speakers with key-hole slots

You will need



10 - Dual bracket (2)



11 - L plate (2)

Nuts



05 - Adjusting (2)

Screws



06 - 1/4 - 20 x 12 mm (4)



Phillips screwdriver

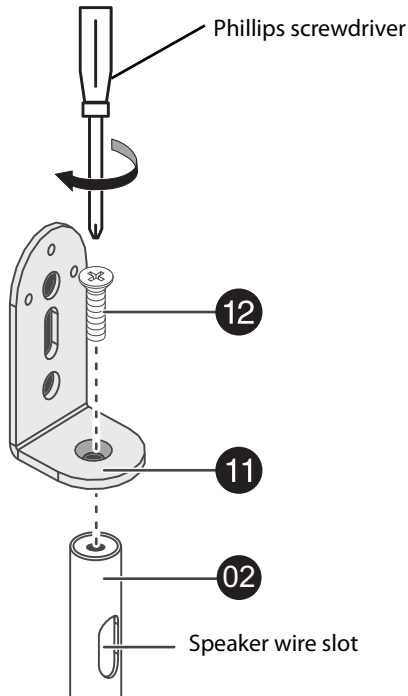


07 - 1/4 - 20 wing (4)



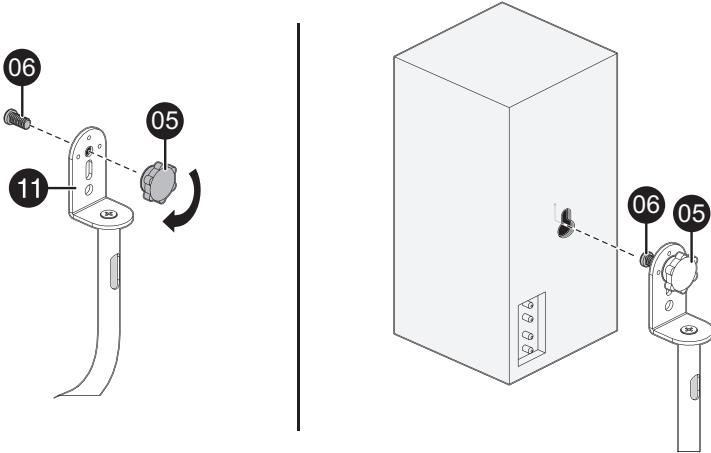
12 - M5 x 15 mm (2)

- 1 Attach the L plate (**11**) to the top pole (**02**) with an M5 x 15 mm screw (**12**), with the speaker wire slot arranged as shown. Tighten securely with a Phillips screwdriver.



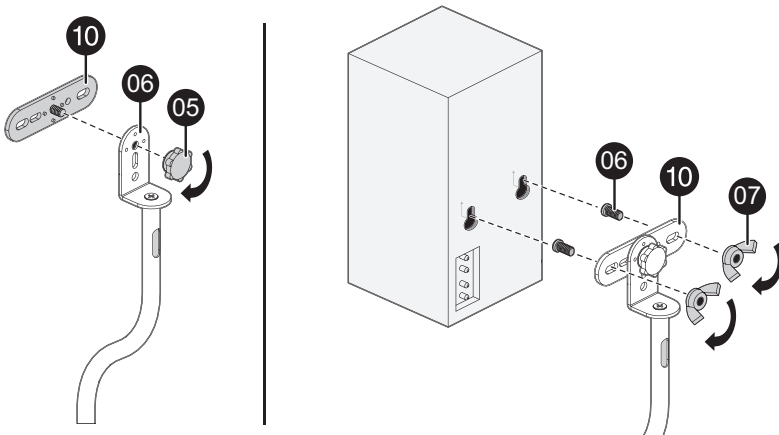
- 2 For speakers with a single slot in the back** - Loosely attach the 1/4 - 20 x 12 mm screw (06) to the L plate (11) with an adjusting nut (05).

Attach your speaker to the stand by sliding the slot on the back of your speaker over the 1/4 - 20 x 12 mm screw (06), then securely tighten the adjusting nut (05).







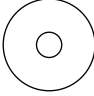


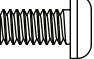
- 3 For speakers with two slots in the back** - Attach the dual bracket (10) to the L plate (11) with an adjusting nut (05). Tighten securely. Loosely attach the two 1/4 - 20 x 12 mm screws (06) to the dual bracket (10) with 1/4 - 20 wing nuts (07).

Attach your speaker to the stand by sliding the slots on the back of your speaker over the 1/4 - 20 x 12 mm screws (06), then securely tighten the 1/4 - 20 wing nuts (07).

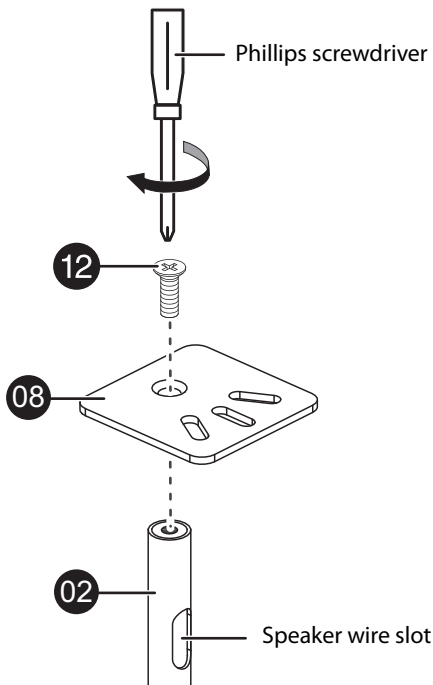


STEP 3 - Option 3: Attaching bottom-mount speakers

You will need

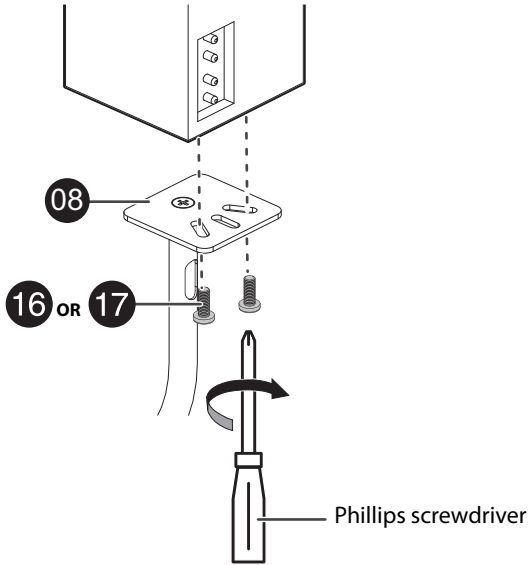
			Screws
08 - Top plate (2)	Phillips screwdriver		12 - M5 x 15 mm (2)
			14 - M4 x 7 mm (2)
09 - Double stick speaker pad (2)	13 - M4 washer (2)		16 - M5 x 12 mm (4)
			OR
			17 - 1/4 - 20 x 1/2 in. (4)

- 1 Attach the top plates (**08**) to the top poles (**02**) with M5 x 15 mm screws (**12**), with the speaker wire slot arranged as shown. Tighten securely with a Phillips screwdriver.

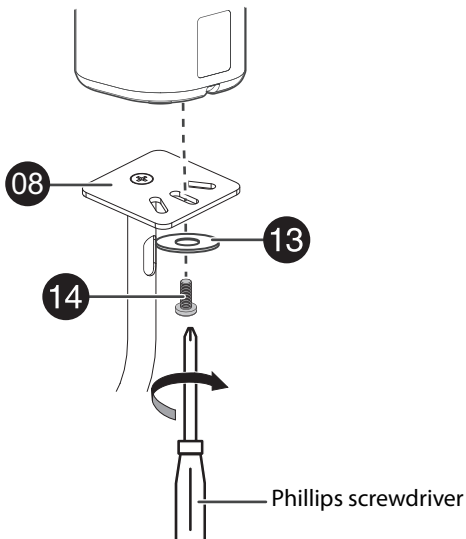


- 2 If your speakers have mounting holes on the bottom, attach your speakers to the stands using option A or B. Otherwise, use option C.

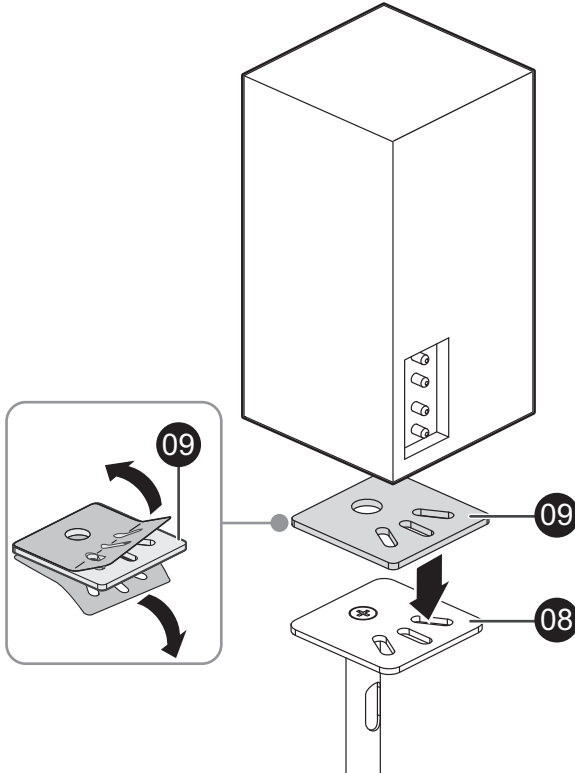
Option A - Use M5 x 12 mm screws (**16**) or 1/4 - 20 x 1/2 in. screws (**17**). Tighten securely with a Phillips screwdriver, then skip to STEP 4 - Routing the speaker cables on page 17.



Option B - Use an M4 washer (**13**) and an M4 x 7 mm screw (**14**). Tighten securely with a Phillips screwdriver, then skip to STEP 4 - Routing the speaker cables on page 17.

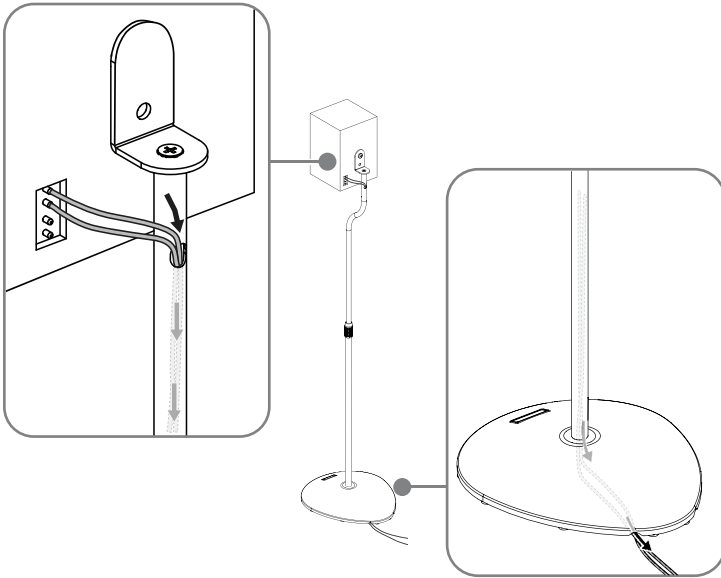


Option C - Attach the double-stick speaker pads (09) to the top plates (08) by removing the paper covering the adhesive surface on the bottom of the pads and pressing them firmly onto the top plates. When the pads (09) are firmly attached to the top plates, remove the paper covering the adhesive surface on the top of the double-stick speaker pads (09) and press your speakers firmly onto the pads.

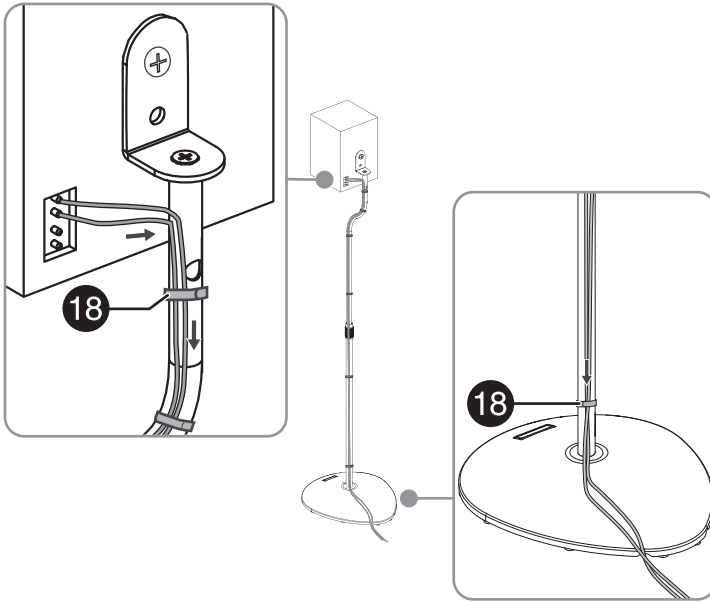


STEP 4 - Routing the speaker cables**You will need****18** - Hook 'n loop strap (10)

Option A - Route the speaker cables by passing the wires into the speaker wire slot at the top of the top pole, then down the pole assembly and out the hole in the bottom pole and under the base.



Option B - Run the wires on the outside of the poles and attach them to the poles using the hook 'n loop straps (**18**) as necessary.



Specifications

Dimensions (H x W x D)	28 to 38 x 9.06 x 10.38 in. (71.12 to 96.52 x 23.01 x 26.36 cm)
Height adjustment range	28 to 38 in. (71.1 to 96.5 cm)
Weight	Gross: 11.12 lbs. (5.04 kg) Net: 9.8 lbs. (4.4 kg)
Supported weight	4 lbs. (1.8 kg) per speaker stand

ONE-YEAR LIMITED WARRANTY

Best Buy, or its Authorized Partner of Insignia branded products, warrants to you, the original purchaser of this new Insignia branded product ("Product"), that the Product shall be free of defects in the original manufacture of the material or workmanship for a period of one (1) year from the date of your purchase of the Product or the date of delivery (if later than the date of purchase) ("Warranty Period").

For this warranty to apply, your Product must be (i) purchased in the United States or Canada from a Best Buy branded retail store, online at www.bestbuy.com or www.bestbuy.ca, or from Best Buy's Authorized Partner, and (ii) packaged or sold with this warranty statement.

The term "Best Buy", as used in this warranty, refers to Best Buy branded retail stores, www.bestbuy.com, www.bestbuy.ca, and Best Buy's Authorized Partner.

Because Insignia cannot control the quality of products sold by unauthorized sellers, this warranty applies only to Products that were purchased from Best Buy or an Insignia Authorized Partner, unless otherwise prohibited by law. Insignia reserves the right to reject warranty claims for Products purchased from unauthorized sellers, including unauthorized websites.

REPAIR OR REPLACEMENT, AS PROVIDED UNDER THIS WARRANTY, IS YOUR EXCLUSIVE REMEDY FOR BREACH OF WARRANTY. INSIGNIA SHALL NOT BE LIABLE FOR ANY INCIDENTAL OR CONSEQUENTIAL DAMAGES FOR THE BREACH OF ANY EXPRESSED OR IMPLIED WARRANTY ON THIS PRODUCT, INCLUDING, BUT NOT LIMITED TO, LOST DATA, LOSS OF USE OF YOUR PRODUCT, LOST BUSINESS, OR LOST PROFITS. INSIGNIA PRODUCTS MAKES NO OTHER EXPRESS WARRANTIES WITH RESPECT TO THE PRODUCT. ALL EXPRESSED AND IMPLIED WARRANTIES FOR THE PRODUCT, INCLUDING BUT NOT LIMITED TO ANY IMPLIED WARRANTIES OF AND CONDITIONS OF MERCHANTABILITY AND FITNESS FOR A PARTICULAR PURPOSE, ARE LIMITED IN DURATION TO THE WARRANTY PERIOD SET FORTH ABOVE AND NO WARRANTIES, WHETHER EXPRESSED OR IMPLIED, WILL APPLY AFTER THE WARRANTY PERIOD. SOME STATES, PROVINCES, AND JURISDICTIONS DO NOT ALLOW LIMITATIONS ON (i) HOW LONG AN IMPLIED WARRANTY LASTS, (ii) EXCLUSION OR LIMITATION OF INCIDENTAL OR CONSEQUENTIAL DAMAGES, or (iii) LIMITATION OF INCIDENTAL OR CONSEQUENTIAL DAMAGES, SO THE ABOVE LIMITATIONS OR EXCLUSIONS MAY NOT APPLY TO YOU. THIS WARRANTY GIVES YOU SPECIFIC LEGAL RIGHTS, AND YOU MAY ALSO HAVE OTHER RIGHTS, WHICH VARY FROM STATE TO STATE OR PROVINCE TO PROVINCE.

How long does the coverage last?

The Warranty Period lasts for 1 year (365 days) from the date you purchased the Product or the date of delivery (if later than the date of purchase). Your purchase date is printed on the receipt you received with the Product. In the event that Authorized Partner ceases to sell the covered Insignia branded product, this warranty shall terminate for that product and there shall be no repair or replacement of the Product.

What does this warranty cover?

During the Warranty Period, if the original manufacture of the material or workmanship of the Product is determined to be defective by an authorized Insignia repair center or store personnel, Insignia will (at its sole option): (1) repair the Product with new or rebuilt parts; or (2) replace the Product at no charge with new or rebuilt comparable products or parts. Products and parts replaced under this warranty become the property of Insignia and are not returned to you. If service of Products or parts are required after the Warranty Period expires, you must pay all labor and parts charges. This warranty lasts as long as you own your Insignia Product during the Warranty Period. Warranty coverage terminates if you sell or otherwise transfer the Product.

How to obtain warranty service?

If you purchased the Product at a Best Buy retail store location or from a Best Buy online website (www.bestbuy.com or www.bestbuy.ca), please take your original receipt and the Product to any Best Buy store. Make sure that you place the Product in its original packaging or packaging that provides the same amount of protection as the original packaging. If you purchased your Product from an Authorized Partner, call Insignia at 1-877-467-4289.

To obtain warranty service, in the United States and Canada call 1-877-467-4289. Call agents may diagnose and correct the issue over the phone.

If you purchased the Product from an Authorized Partner other than Best Buy, please call 1-888-BESTBUY in the United States or 1-866-BESTBUY in Canada. You will be asked to provide proof of purchase and to return your Product to Best Buy. Make sure that you put the Product in its original packaging or packaging that provides the same amount of protection as the original packaging.

Where is the warranty valid?

This warranty is valid only in the United States and Canada to the original purchaser of the product from an Authorized Partner, in the country where the original purchase was made.

What does the warranty not cover?

This warranty does not cover:

- Food, beverage, and or medicine loss/spoilage.
- Damage to other products caused by a power surge or other similar issue while connected to the Product.
- Customer instruction/education.
- Installation.
- Set up adjustments.
- Cosmetic damage.
- Damage due to weather, lightning, and other acts of God, such as power surges.
- Accidental damage.
- Misuse.
- Abuse.
- Negligence.
- Commercial purposes/use, including but not limited to use in a place of business or in communal areas of a multiple dwelling condominium or apartment complex, or otherwise used in a place of other than a private home.
- Modification of any part of the Product, including the antenna.
- Display panel damaged by static (non-moving) images applied for lengthy periods (burn-in).
- Damage due to incorrect operation or maintenance.
- Connection to an incorrect voltage or power supply.
- Damage due to attempted repair by any person not authorized by Insignia to service the Product.
- Products sold "as is" or "with all faults".
- Consumables, including but not limited to batteries (i.e. AA, AAA, C etc.).
- Products where the factory applied serial number has been altered or removed.
- Loss or Theft of this product or any part of the product.
- Display panels containing up to three (3) pixel failures (dots that are dark or incorrectly illuminated) grouped in an area smaller than one tenth (1/10) of the display size or up to five (5) pixel failures throughout the display. (Pixel based displays may contain a limited number of pixels that may not function normally.).
- Failures or Damage caused by any contact including but not limited to liquids, gels or pastes.

Contact Insignia:

1-877-467-4289

www.insigniaproducts.com

INSIGNIA is a trademark of Best Buy and its affiliated companies.

*Distributed by Best Buy Purchasing, LLC

7601 Penn Ave South, Richfield, MN 55423 U.S.A.

©2026 Best Buy. All rights reserved.

ESPAÑOL

Introducción

Felicitaciones por su compra de un producto de alta calidad de Insignia. Las bases de altavoz NS-SPST2B están diseñados para ofrecer un rendimiento fiable y sin problemas.

Instrucciones importantes de seguridad

Lea todas las instrucciones antes del uso.

Conserve estas instrucciones.



PRECAUCIÓN: ¡Evite posibles lesiones personales o daños materiales!

- Compruebe en la documentación del altavoz si existen requisitos especiales para su montaje.
- Lea completamente estas instrucciones para asegurarse de que se siente cómodo con este proceso de instalación.
- No utilice este producto con cualquier propósito que no esté implícitamente especificado por el fabricante.
- El fabricante no se hace responsable por daños o lesiones causadas por un ensamblaje o uso incorrecto.
- Si no comprende estas instrucciones o tiene dudas sobre la seguridad de la instalación, el montaje o el uso de este producto, póngase en contacto con el Servicio de atención al cliente llamando al 1-877-467-4289.
- El peso de los altavoces no debe ser superior a 1.8 kg (4 lb).
- este producto contiene piezas pequeñas que representan un peligro de asfixia si se tragan. ¡Mantenga estas piezas alejadas de los niños!

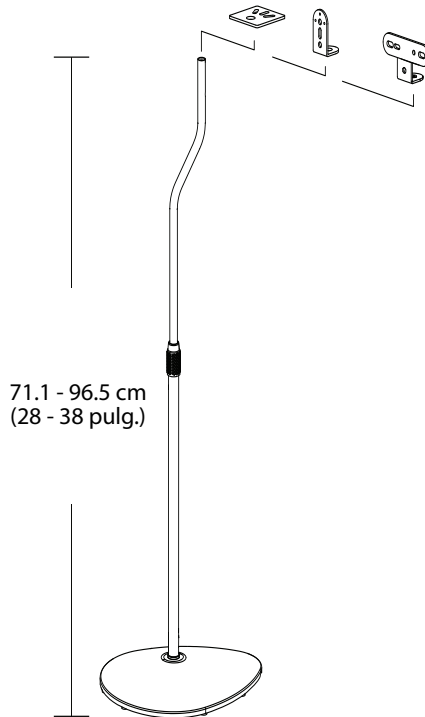
Características

- Ajuste de altura de 71.1 a 96.5 cm (28 a 38 pulg.) para colocar los altavoces donde desee
- Amplia capacidad compatible con las marcas de altavoces más populares, con un peso de hasta 1.8 kg (4 lb)
- El sistema integrado de organización de cables oculta y organiza los cables
- La base ancha en forma de lágrima evita vuelcos accidentales
- Marco de acero duradero añade resistencia y robustez

Contenido del paquete

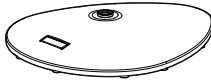
- Base para altavoces (2)
- Accesorios de montaje
- *Guía de montaje*

Dimensiones



Piezas

01 - Tubo inferior (2)



03 - Base (2)

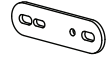
02 - Tubo superior (2)



04 - Almohadilla de la base (20)



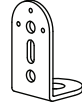
05 - Tuerca de ajuste (2)



10 - Soporte doble (2)



08 - Placa superior (2)



11 - Placa en L (2)

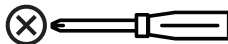


09 - Almohadilla de doble cara

Accesorios

N.º	Accesorios	Cant	N.º	Accesorios	Cant
06	Tornillo de 1/4 - 20 x 12 mm	4	15	Tornillo de M4 x 10 mm	2
07	Tuerca mariposa de 1/4 - 20	4	16	Tornillo M5 de 12 mm	4
12	Tornillo M5 de 15 mm	2	17	Tornillo de 1/4 - 20 x 1/2 pulg.	4
13	Arandela M4	2	18	Cinta autoadherente	10
14	Tornillo M4 de 7 mm	2			

Herramientas necesarias (no suministradas)

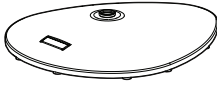


Destornillador Phillips

Instrucciones de instalación

PASO 1 - Instalación de las almohadillas de la base

Necesitará

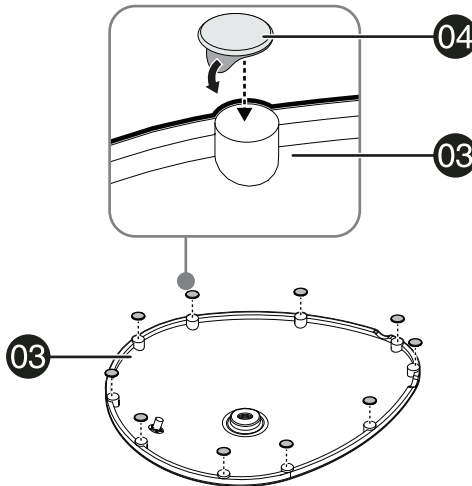


03 - Base (2)



04 - Almohadilla de la base (20)

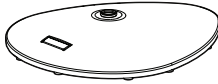
- 1 Coloque con cuidado la base (03) con la parte superior hacia abajo sobre una superficie acolchada y limpia para protegerla de rayones o daños.
- 2 Limpie las 10 ubicaciones de las almohadillas con alcohol desnaturalizado o isopropílico para que las almohadillas de la base (04) se adhieran firmemente.
- 3 Retire el papel protector de las 10 almohadillas de la base (04) y colóquelas en las ubicaciones de las almohadillas de la base (03).



- 4 Repita la operación para la segunda base (03).

PASO 2 - Fijación del tubo de la base y ajuste de la altura

Necesitará



03 - Base (2)

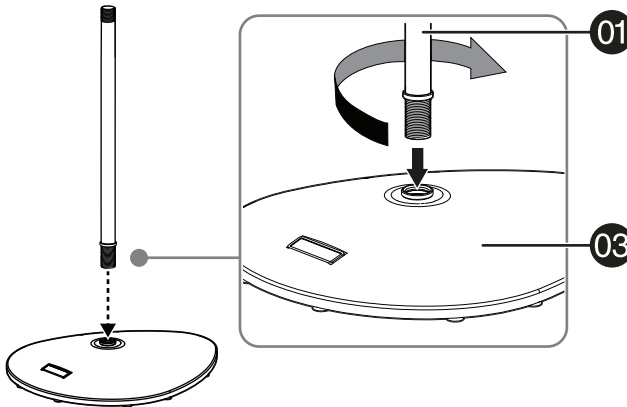


01 - Tubo inferior (2)

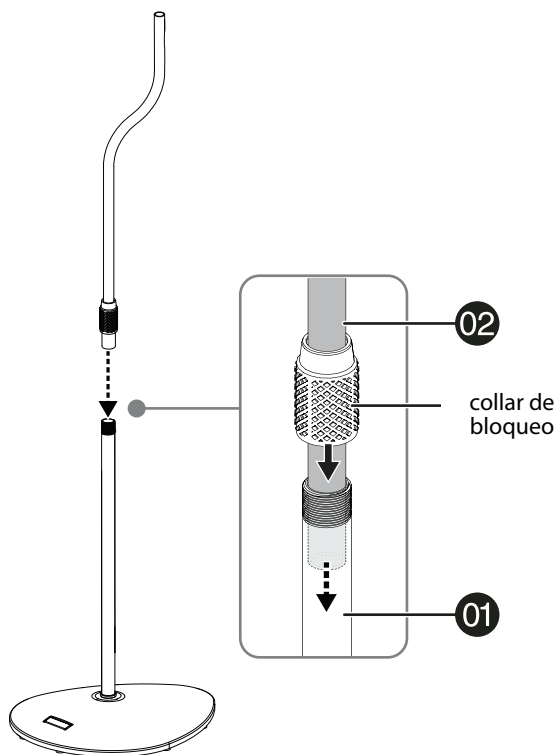


02 - Tubo superior (2)

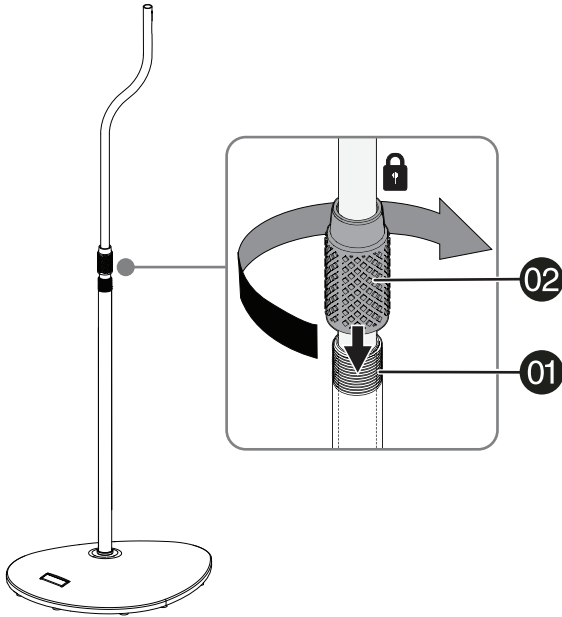
- 1 Enrosque con cuidado el tubo inferior (**01**) en el sentido de las agujas del reloj en la base (**03**). Asegúrese de enroscar bien el tubo en la base para garantizar la estabilidad.



- 2 Inserte el tubo superior (02) en el tubo inferior (01), levántelo o bájelo para ajustarlo a la altura que desee y, a continuación, apriete el collar de bloqueo girándolo sólo en el sentido de las agujas del reloj hasta que el tubo superior no se deslice hacia abajo.



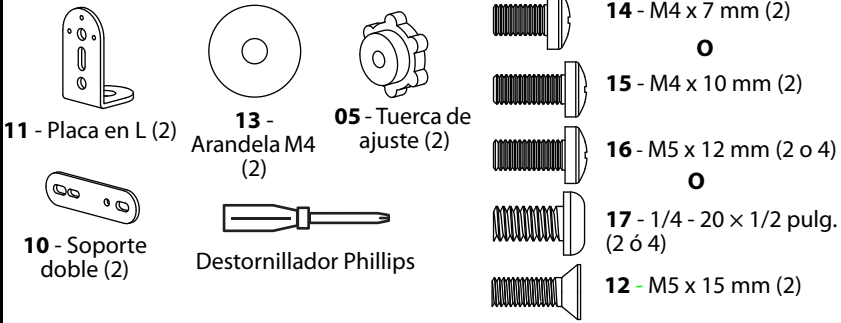
- 3 Ajuste el tubo superior (02) de modo que la parte curvada quede sobre la parte larga del tubo inferior (01) y, a continuación, apriete completamente el collarín de bloqueo girándolo en el sentido de las agujas del reloj.



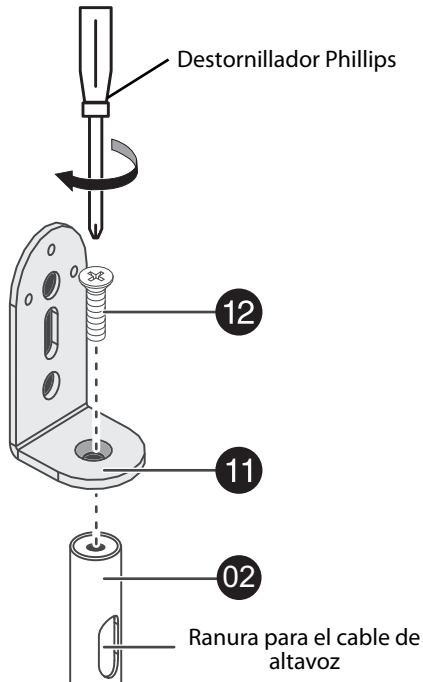
- 4 Repite el procedimiento con la segunda base para altavoz.

PASO 3 - Opción 1: Fijación de altavoces de montaje posterior con inserciones roscadas

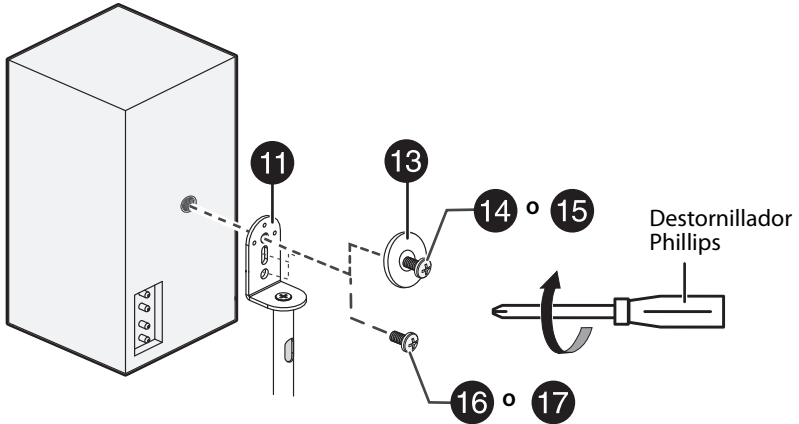
Necesitará



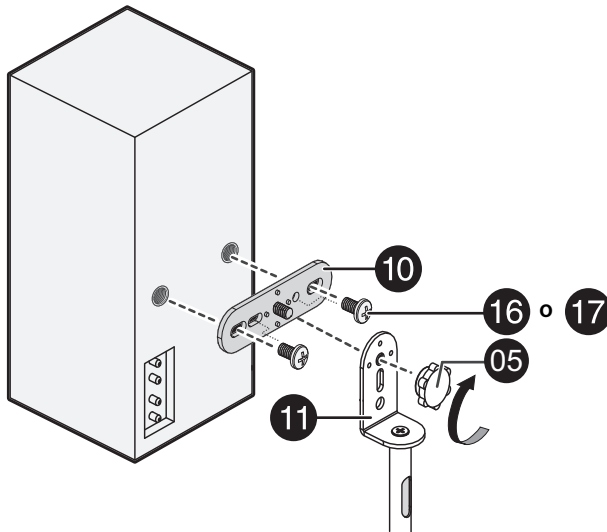
- 1 Fije la placa en L (**11**) al tubo superior (**02**) con un tornillo M5 x 15 mm (**12**), con la ranura para el cable del altavoz colocada como se muestra. Apriete bien con un destornillador Phillips.



- 2 Para altavoces con un solo agujero en la parte posterior** - Fije el altavoz a la base utilizando una arandela M4 (13) y un tornillo M4 x 7 mm (14), un tornillo M4 x 10 mm (15), o un tornillo M5 x 12 mm (16) o un tornillo 1/4 - 20 x 1/2 pulg. (17) sin arandela. Apriete bien con un destornillador Phillips, a continuación, pase a STEP 4 - Colocación de los cables de los altavoces en la página 35.

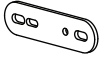


- 3 Para altavoces con dos agujeros en la parte posterior** - Fije el soporte doble (10) a su altavoz (tornillo roscado hacia fuera) con dos tornillos M5 x 12 mm (16), o dos tornillos 1/4 - 20 x 1/2 pulg. (17). Apriete bien. Fije su juego de altavoz/soporte a la base con una tuerca de ajuste (05). Apriete bien y pase a STEP 4 - Colocación de los cables de los altavoces en la página 35.

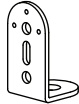


PASO 3 - Opción 2: Fijación de altavoces de montaje posterior con ranuras de bocallave

Necesitará



10 - Soporte doble (2)



11 - Placa en L (2)

Tuercas



05 - de ajuste (2)

Tornillos



06 - 1/4 - 20 x 12 mm (4)



Destornillador Phillips

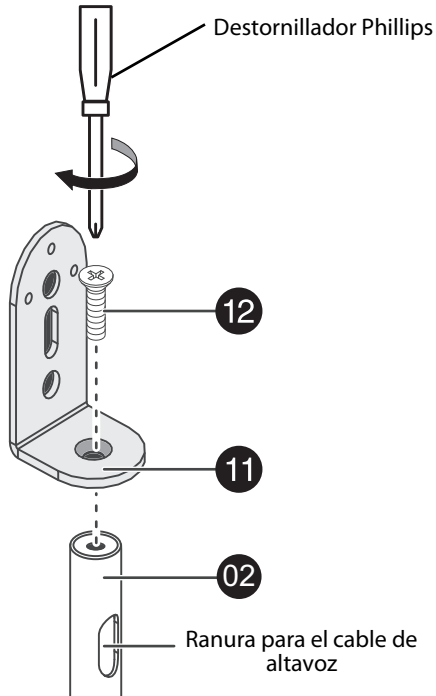


07 - 1/4 - 20 mariposa (4)



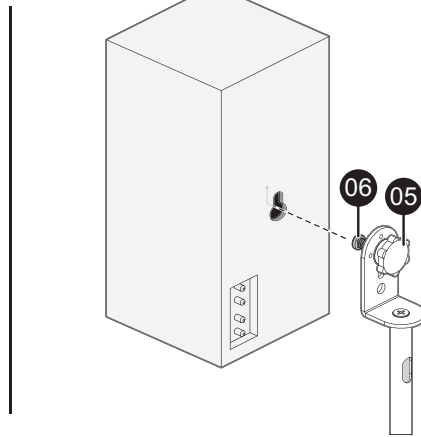
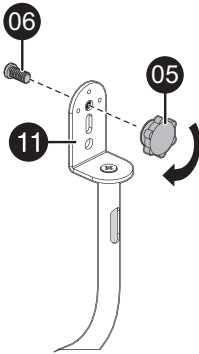
12 - M5 x 15 mm (2)

- 1 Fije la placa en L (11) al tubo superior (02) con un tornillo M5 x 15 mm (12), con la ranura para el cable del altavoz colocada como se muestra. Apriete bien con un destornillador Phillips.



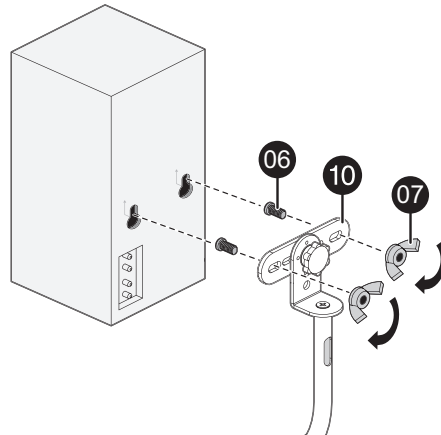
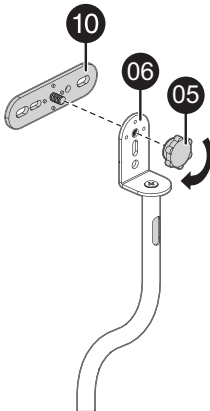
- 2 Para altavoces con una sola ranura en la parte posterior** - Apriete ligeramente el tornillo de 1/4 - 20 x 12 mm **(06)** a la placa en L **(11)** con una tuerca de ajuste **(05)**.

Fije el altavoz al soporte deslizando la ranura situada en la parte posterior del altavoz sobre el tornillo de 1/4 - 20 x 12 mm **(06)**, a continuación, apriete bien la tuerca de ajuste **(05)**.



- 3 Para altavoces con dos ranuras en la parte posterior** - fije el soporte doble **(10)** a la placa en L **(11)** con una tuerca de ajuste **(05)**. Apriete bien. Apriete ligeramente los dos tornillos de 1/4 - 20 x 12 mm **(06)** al soporte doble **(10)** con tuercas mariposa 1/4 - 20 **(07)**.

Fije el altavoz al soporte deslizando las ranuras de la parte posterior del altavoz sobre los tornillos de 1/4 - 20 x 12 mm **(06)**, a continuación, apriete bien las tuercas mariposa de 1/4 - 20 **(07)**.



PASO 3 - Opción 3: Fijación de los altavoces de montaje inferior

Necesitará



08 - Placa superior (2)



09 - Almohadilla de doble cara para el altavoz (2)



Destornillador Phillips



13 - Arandela M4 (2)



Tornillos

12 - M5 x 15 mm (2)



14 - M4 x 7 mm (2)



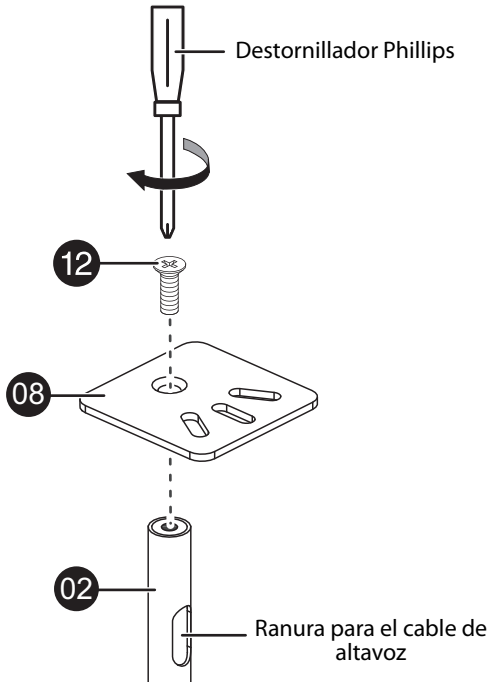
16 - M5 x 12 mm (4)

O



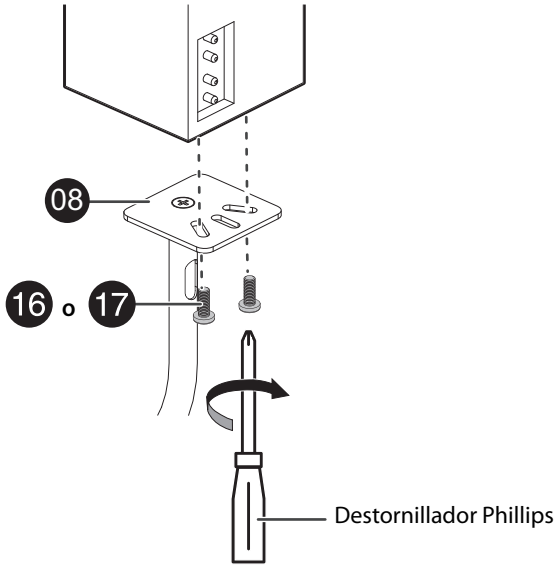
17 - 1/4 - 20 x 1/2 pulg. (4)

- 1 Fije las placas superiores (**08**) a los tubos superiores (**02**) con tornillos M5 x 15 mm (**12**), con la ranura para el cable del altavoz colocada como se muestra. Apriete bien con un destornillador Phillips.

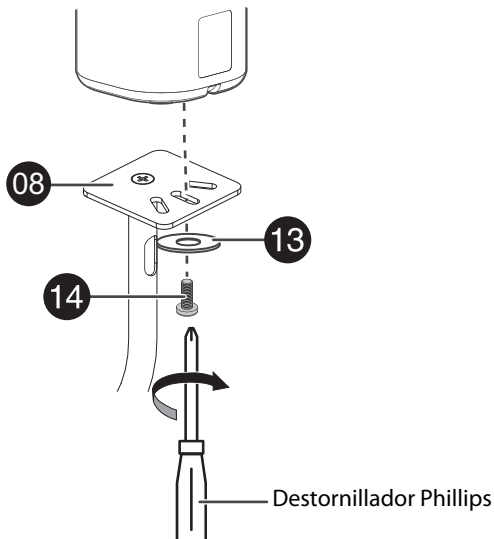


- 2 Si sus altavoces tienen agujeros de montaje en la parte inferior, fíjelos a las bases utilizando las opciones A o B. De lo contrario, utilice la opción C.

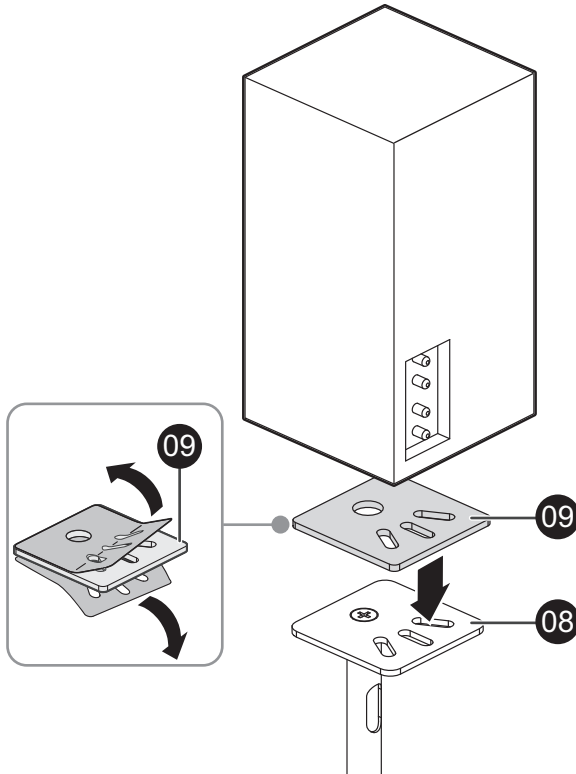
Opción A - Utilice tornillos M5 x 12 mm (16) o los tornillos 1/4 - 20 x 1/2 pulg. (17). Apriete bien con un destornillador Phillips, a continuación, pase a STEP 4 - Colocación de los cables de los altavoces en la página 35.



Opción B - Utilice una arandela M4 (13) y un tornillo M4 x 7 mm (14). Apriete bien con un destornillador Phillips, a continuación, pase a STEP 4 - Colocación de los cables de los altavoces en la página 35.

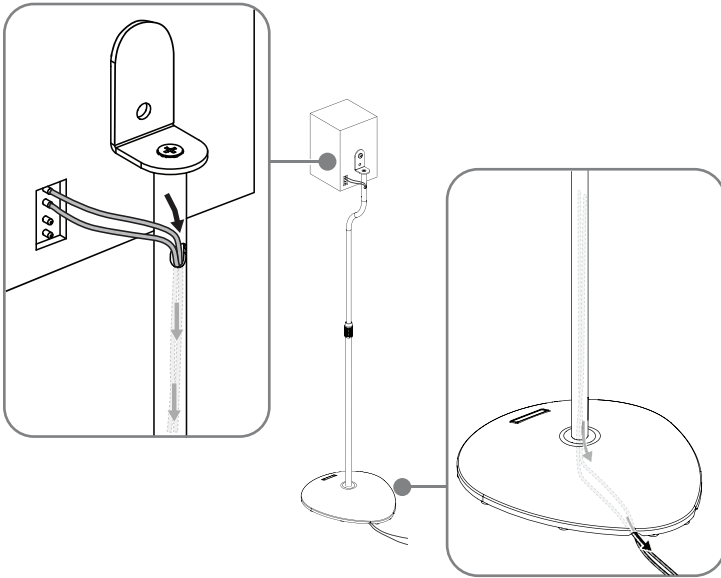


Opción C - Fije las almohadillas de altavoz de doble cara (09) a las placas superiores (08) retirando el papel que cubre la superficie adhesiva de la parte inferior de las almohadillas y presionándolas firmemente sobre las placas superiores. Cuando las almohadillas (09) estén firmemente adheridas a las placas superiores, retire el papel que cubre la superficie adhesiva de la parte superior de las almohadillas de doble pegamento (09) y presione firmemente sus altavoces sobre las almohadillas.

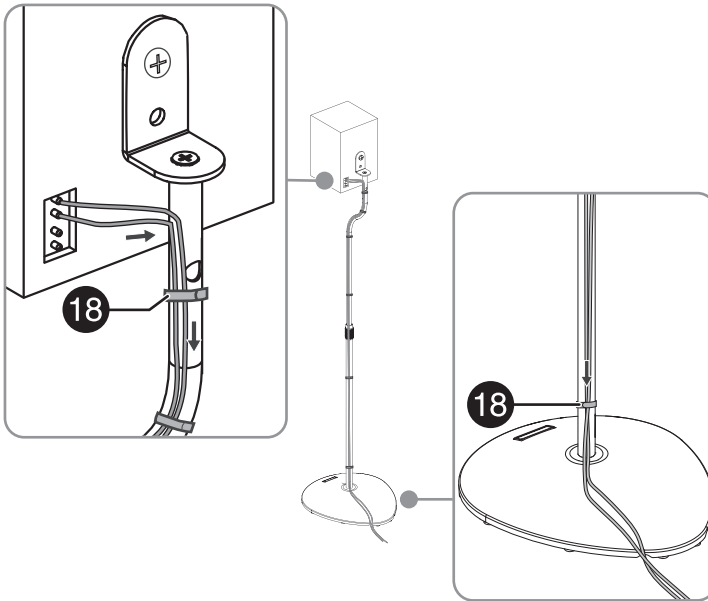


STEP 4 - Colocación de los cables de los altavoces**Necesitará****18** Cinta autoadherente (10)

Opción A - Pase los cables de los altavoces por la ranura para cables de los altavoces en la parte superior del tubo superior, luego por el conjunto de tubos y por el agujero del tubo inferior y por debajo de la base.



Opción B - Pase los cables por el exterior de los tubos y fíjelos a los tubos utilizando las cintas autoadherentes (18) según sea necesario.



Especificaciones

Dimensiones (Alto x Ancho x Profundidad)	71.12 a 96.52 x 23.01 x 26.36 cm (28 a 38 x 9.06 x 10.38 pulg.)
Rango de ajuste de altura	71.1 a 96.5 cm (28 a 38 pulg.)
Peso	Bruto: 5.04 kg (11.12 lb) Neto: 4.4 kg (9.8 lb)
Peso admitido	1.8 kg (4 lb) por base de altavoz

GARANTÍA LIMITADA DE UN AÑO

Best Buy, o su Socio autorizado de productos de la marca Insignia, le garantiza a usted, el comprador original de este nuevo producto de la marca Insignia ("Producto"), que éste se encontrará libre de defectos de material o de mano de obra en su fabricación original por un período de un (1) año a partir de la fecha de su compra del Producto o de la fecha de entrega (si es posterior a la fecha de compra) ("Período de garantía").

Para que esta garantía se aplique, su Producto debe (i) haberse comprado en los Estados Unidos o en Canadá desde una tienda de la marca Best Buy o en línea en los sitios web de www.bestbuy.com o www.bestbuy.ca, o del Socio autorizado de Best Buy y (ii) empacado o vendido con esta declaración de garantía.

El término de "Best Buy" como se utiliza en esta garantía se refiere a las tiendas de marca de Best Buy, www.bestbuy.com, www.bestbuy.ca y el Socio autorizado de Best Buy.

Debido a que Insignia no puede controlar la calidad de los productos vendidos por vendedores no autorizados, esta Garantía se aplica sólo a los Productos que fueron comprados en tiendas de Best Buy o un Socio autorizado de Insignia, a menos que la ley prohíba lo contrario. Insignia se reserva el derecho de rechazar reclamaciones de Productos comprados de vendedores no autorizados, incluyendo sitios web no autorizados.

EL REEMPLAZO O LA REPARACIÓN ESTIPULADOS BAJO ESTA GARANTÍA SON SU RECURSO EXCLUSIVO POR CUALQUIER VIOLACIÓN DE LA GARANTÍA. INSIGNIA NO SERÁ RESPONSABLE POR DAÑOS INCIDENTALES O CONSECUENTES DEBIDO AL INCUMPLIMIENTO DE CUALQUIER GARANTÍA EXPRESA O IMPLÍCITA RELACIONADA CON ESTE PRODUCTO, INCLUYENDO PERO SIN LIMITARSE A LA PÉRDIDA DE INFORMACIÓN, LA PÉRDIDA DE NEGOCIOS O DE GANANCIAS. INSIGNIA PRODUCTS NO HACE NINGUNA OTRA GARANTÍA EXPRESA CON RESPECTO A ESTE PRODUCTO. TODAS LAS GARANTÍAS EXPRESAS E IMPLÍCITAS DE ESTE PRODUCTO, INCLUYENDO, PERO SIN LIMITARSE A, CUALQUIER GARANTÍA IMPLÍCITA DE O CONDICIONES DE COMERCIALIZACIÓN O IDONEIDAD PARA UN FIN DETERMINADO, ESTÁN LIMITADAS EN DURACIÓN AL PERÍODO DE GARANTÍA ESTABLECIDO ANTERIORMENTE Y NINGUNA GARANTÍA, YA SEA EXPRESA O IMPLÍCITA, SE APLICARÁ DESPUÉS DEL PERÍODO DE GARANTÍA. ALGUNOS ESTADOS, PROVINCIAS Y JURISDICIONES NO PERMITEN LIMITACIONES SOBRE (i) LA DURACIÓN DE UNA GARANTÍA IMPLÍCITA, (ii) LA EXCLUSIÓN O LIMITACIÓN DE DAÑOS INCIDENTALES O CONSECUENCIALES, O (iii) LA LIMITACIÓN DE DAÑOS INCIDENTALES O CONSECUENCIALES, POR LO QUE LAS LIMITACIONES O EXCLUSIONES ANTERIORES PUEDEN NO SER APLICABLES EN SU CASO. ESTA GARANTÍA LE DA DERECHOS LEGALES ESPECÍFICOS, Y USTED PUEDE POSEER OTROS DERECHOS QUE VARÍAN DE ESTADO A ESTADO, O DE PROVINCIA A PROVINCIA.

¿Cuánto dura la garantía?

El Período de garantía tiene una duración de 1 año (365 días) a partir de la fecha de compra del Producto o de la fecha de entrega (si es posterior a la fecha de compra). La fecha de compra se encuentra impresa en el recibo que recibió con el Producto. En caso de que el Socio autorizado deje de vender el producto de marca Insignia cubierto, esta garantía terminará para dicho producto y no habrá reparación ni sustitución del Producto.

¿Qué es lo que cubre esta garantía?

Durante el Período de Garantía, si un centro de reparación autorizado de Insignia concluye que la fabricación original del material o la mano de obra del Producto se encuentran defectuosos Insignia (cómo su opción exclusiva): (1) reparará el Producto con repuestos nuevos o reconstruidos; o (2) reemplazará el Producto sin costo alguno por un producto nuevo o reconstruido con características similares. Los Productos y repuestos reemplazados bajo esta garantía se volverán propiedad de Insignia y no se le regresarán a usted. Si se requiere la reparación de Productos o partes después de que se vence el Período de garantía, usted deberá pagar todos los costos de mano de obra y de repuestos. Esta garantía estará vigente tanto como usted sea el dueño de su producto Insignia durante el período de garantía. La cobertura de la garantía se anula si usted vende o transfiere el Producto.

¿Cómo se obtiene el servicio de garantía?

Si se compró el Producto en una tienda de Best Buy, o en el sitio web de Best Buy (www.bestbuy.com o www.bestbuy.ca), lleve su recibo original y el Producto a cualquier tienda de Best Buy. Asegúrese de colocar el Producto en su embalaje original o en un embalaje que ofrezca la misma protección que el embalaje original. Si adquirió su producto a través de un Socio autorizado, llame a Insignia al 1-877-467-4289.

Para obtener servicio de garantía, llame al 1-877-467-4289 en los Estados Unidos y Canadá. Los agentes de llamadas pueden diagnosticar y corregir el problema por teléfono.

Si compró el producto a un socio autorizado que no sea Best Buy, llame al 1-888-BESTBUY en Estados Unidos o al 1-866-BESTBUY en Canadá. Se le pedirá que provea una prueba de compra y regrese su producto a Best Buy. Asegúrese de colocar el Producto en su empaque original o en un empaque que provea la misma cantidad de protección que el original.

¿Dónde es válida la garantía?

Esta garantía sólo es válida en Estados Unidos y Canadá para el comprador original del producto a un distribuidor autorizado, en el país donde se realizó la compra original.

¿Qué es lo que no cubre la garantía?

Esta garantía no cubre:

- Pérdida/deterioro de alimentos, bebidas y o medicamentos.
- Daños a otros productos causados por una subida de tensión u otro problema similar mientras están conectados al Producto.
- Capacitación o instrucción del cliente.
- Instalación.
- Ajustes de configuración.
- Daños cosméticos.
- Daños debidos al clima, relámpagos, causas de fuerza mayor, tales como sobretensiones.
- Daños accidentales.
- Uso inapropiado.
- Abuso.
- Negligencia.
- Fines/uso comerciales, incluido pero no limitado al uso en un lugar de negocios o en zonas comunes de un condominio de viviendas múltiples o complejo de apartamentos, o utilizado de otro modo en un lugar que no sea un domicilio particular.
- Modificación de alguna parte del Producto, incluyendo la antena.
- Un panel de pantalla dañado por imágenes estáticas (sin movimiento) aplicadas durante periodos prolongados (burn-in).
- Daño debido al uso o mantenimiento inapropiado.
- Conexión a una fuente de voltaje o de alimentación incorrecta.
- Daños debidos al intento de reparación por parte de cualquier persona no autorizada por Insignia para reparar el Producto.
- Productos vendidos "tal cual" (en el estado en que se encuentran) o "con todas sus fallas".
- Consumibles, incluyendo pero no limitado a pilas (por ejemplo AA, AAA, C etc.).
- Productos en los cuales el número de serie asignado en la fábrica ha sido alterado o removido.
- Pérdida o robo de este producto o cualquier parte de sus componentes.
- Las pantallas con hasta tres (3) píxeles defectuosos (puntos oscuros o incorrectamente iluminados) agrupados en una superficie más pequeña que la décima parte (1/10) del tamaño de la pantalla ni hasta cinco (5) píxeles defectuosos en toda la superficie de la pantalla. (Las pantallas basadas en píxeles pueden contener un número limitado de píxeles que pueden no funcionar normalmente).
- Los defectos o daños causados por cualquier contacto, incluidos, entre otros, líquidos, geles o pastas.

Contacte Insignia:

1-877-467-4289

www.insigniaproducts.com

INSIGNIA es una marca comercial de Best Buy y sus compañías asociadas.

* Distribuido por Best Buy Purchasing, LLC

7601 Penn Ave South, Richfield, MN 55423 U.S.A.

©2026 Best Buy. Todos los derechos reservados.

INSIGNIA™

Part #/N.º de pieza 6907-302069

www.inwww.insigniaproducts.com

1-877-467-4289 (U.S. and Canada)



INSIGNIA is a trademark of Best Buy and its affiliated companies.

Distribuido por Best Buy Purchasing, LLC

Richfield, MN 55423

©2026 Best Buy. All rights reserved.

www.insigniaproducts.com

1-877-467-4289 (EE.UU. y Canadá)



INSIGNIA es una marca comercial de Best Buy y sus compañías asociadas.

Distribuido por Best Buy Purchasing, LLC

Richfield, MN 55423

©2026 Best Buy. Todos los derechos reservados.

V2 ENGLISH/ESPAÑOL
26-0312