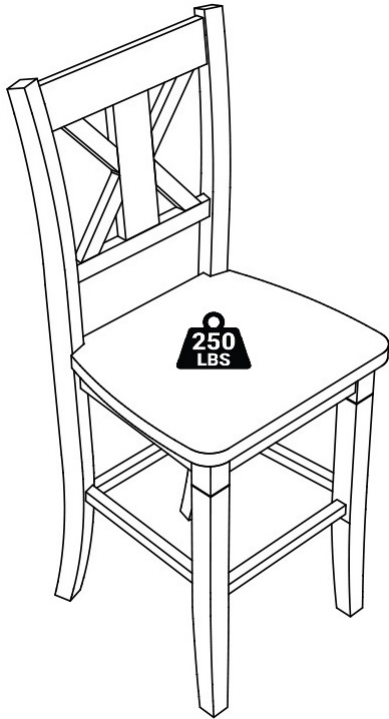


Thank you for your purchase!



Commercial Grade Wood Modern Farmhouse Bar Height Barstool



ASSEMBLY INSTRUCTIONS

Before You Begin: Phillips Screwdriver is required (Not Included).

Please identify all component parts and hardware pieces required before you begin. Carefully remove all of the components from the packaging and set aside for assembly. Assemble on a soft surface to prevent scratching during assembly.

Caution:

Tighten all components securely before use. Failure to do so may result in personal injury.

DO NOT use any sharp objects to open plastic wrapped components as damage to product or components may result.

Warning:

CHOKING HAZARD - Small Parts. Adult Assembly Required.

DO NOT ALLOW CHILDREN TO CLIMB ON FURNITURE

Serious or fatal injuries can occur from furniture tipping over. You must install Tipping Restraint Hardware (where included) to help prevent the unit from tipping and causing accidental injury, instability, death or damage. The tipping restraint is intended only as a safety measure, it is not a substitute for proper adult supervision.

To help prevent furniture from tipping over it must be permanently attached to the wall. Anti-Tip Safety Wall Straps suitable for the unit weight and wall materials (if not included) should be purchased and installed.

Customer Service Email: CustomerExperience@belnick.com | Phone: 866-552-2810

ES-STBN1-24-WH-GG / ES-STBN1-29-WH-GG / ES-STBN1-24-GY-GG / ES-STBN1-29-GY-GG

Have a Question/Concern?

Quality products and first-class customer service are the cornerstone of long-lasting consumer relationships. We strive toward excellence in all we do and want you to be completely satisfied with your purchase.

Please contact our exceptional Customer Experience Agents at the email address or phone number shown below to assist you with any product questions or issues before requesting a return.

We look forward to serving you in a friendly, efficient manner to resolve any issues you may have.

Customer Service Email: CustomerExperience@belnick.com

Customer Service Phone: 866-552-2810

Our Warranty Statement

This warranty covers manufacturing defects associated with your new product. The product is warranted from the original purchase date and to the original purchaser for normal usage, according to the below-referenced specifications and limitations.

- Non-moving metal parts are warranted for 5 years.
- Component parts including pneumatic cylinder, control mechanism, base and casters are warranted for 2 years.
- All other items are warranted for 1 year.

Normal usage means use in compliance with the restrictions and weight limits specified for the product. In the absence of product-specific restrictions and weight limits, normal usage means use for no more than forty hours per week by persons weighing 250 lbs. or less. Coverage terminates if the product is sold or otherwise transferred. Repairs made by parties other than Belnick also void this warranty.

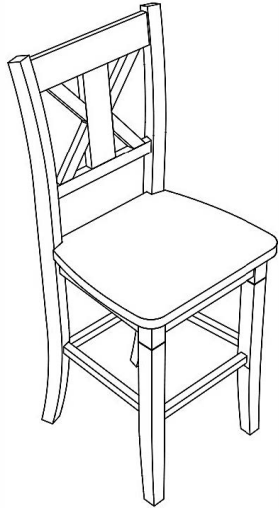
This warranty will not cover: (1) labor, freight, or damage from misuse, abuse, negligence, alteration, assembly, installation, attachments, accident, vandalism, acts of nature or any other event beyond the control of Belnick; (2) tearing, scratching, scuffing, or blemishing of leather or fabric; (3) cosmetic damage that may result from normal usage; (4) damage attributable to use by persons exceeding specified weight limits or commercial use exceeding forty hours per week; or (5) rust or other damage caused by exposure to moisture. The user assumes all risk of injury resulting from use of this product. Liability for incidental or consequential damage is excluded. Some states do not allow the exclusion or limitation of incidental or consequential damages, so the above limitation or exclusion may not apply to you.

.....

ASSEMBLY INSTRUCTION

IMPORTANT NOTE:

- To prevent scratches, place all wooden parts on a clean, smooth surface such as carpet.
- Keep all hardware parts out of reach of children.
- Follow step by step assembly instructions. Phillips Screwdriver required (Not Included)

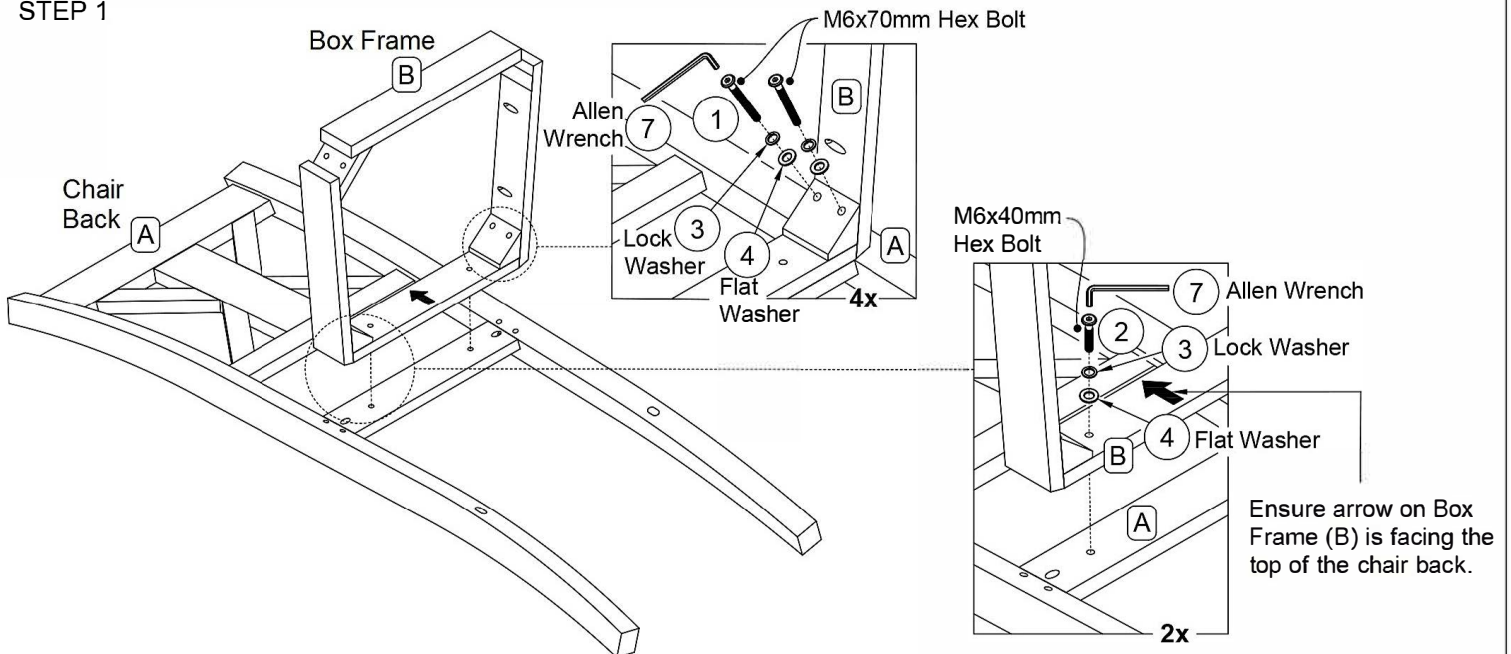


PART LIST			
A		Chair Back	1 PC
B		Box Frame	1 PC
C		Wooden Seat	1 PC
D		Front Leg (Right) (No Hole)	1 PC
E		Front Leg (Left) (Hole)	1 PC
F		Side Braces (Short) (Left & Right)	2 PC
G		Front Footrest (Long)	1 PC

HARDWARE LIST		
ITEM	DESCRIPTION	QTY
1	Hex Bolt M6 x 70mm	8 PCS
2	Hex Bolt M6 x 40mm	2 PCS
3	Lock Washer M6 x 13mm	10 PCS
4	Flat Washer M6 x 16mm	10 PCS
5	Phillips Screws M4 x 25mm	6 PCS
6	Phillips Screws M4 x 38mm	6 PCS
7	Allen Wrench M4	1 PC
8	Glue	1 PC

NOTE : Do not completely tighten screws until the stool is fully assembled.

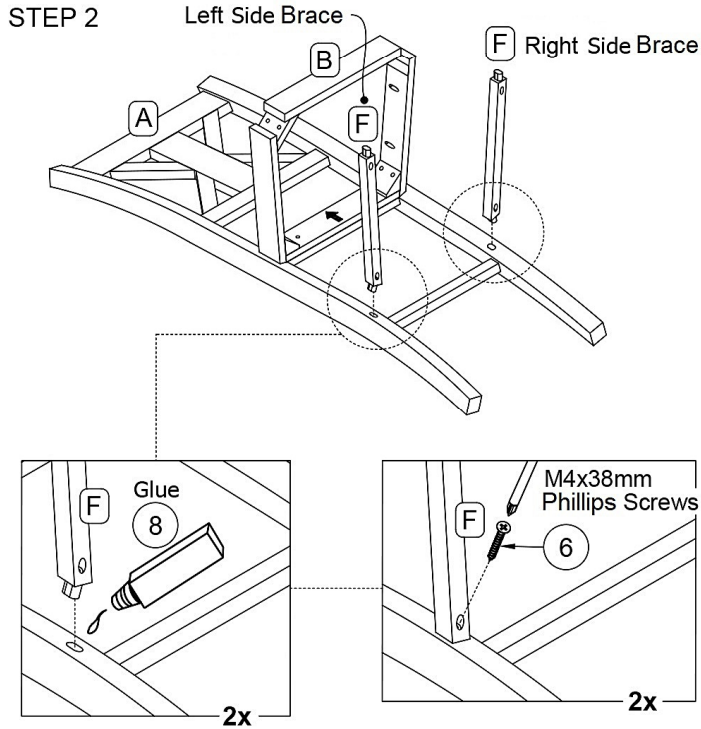
STEP 1



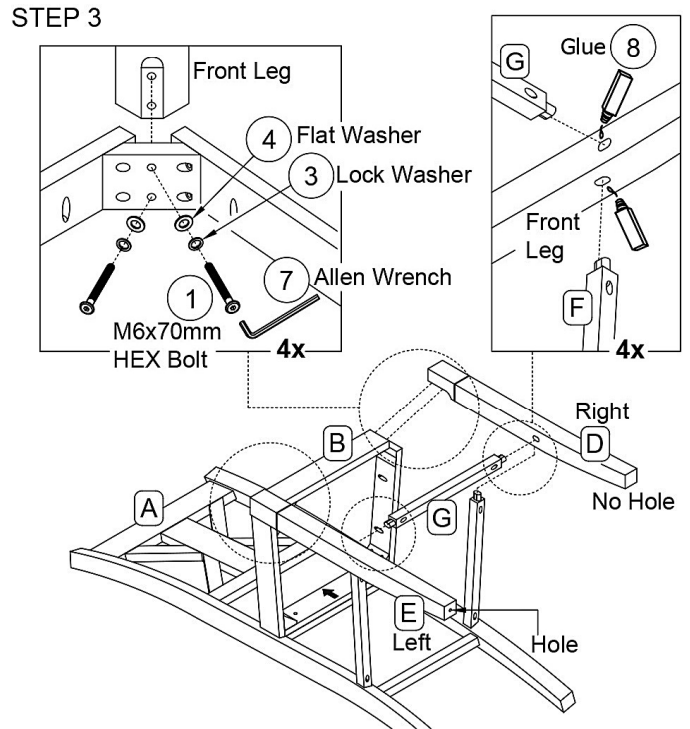
Lay the Chair Back (Part A) on its back and attach Box Frame (Part B) using (4) M6x70mm Hex Bolts (Part 1), (4) Lock Washers (Part 3), and (4) Flat Washers (Part 4). Loosely tighten using Allen Wrench (Part 7). Insert (2) M6x40mm Hex Bolts (Part 2), (2) Lock Washers (Part 3), and (2) Flat Washers (Part 4) into the pre-drilled holes of the middle of Chair Back (Part A). Loosely tighten using Allen Wrench (Part 7). **Do not fully tighten the bolts in this step.**

ASSEMBLY INSTRUCTION

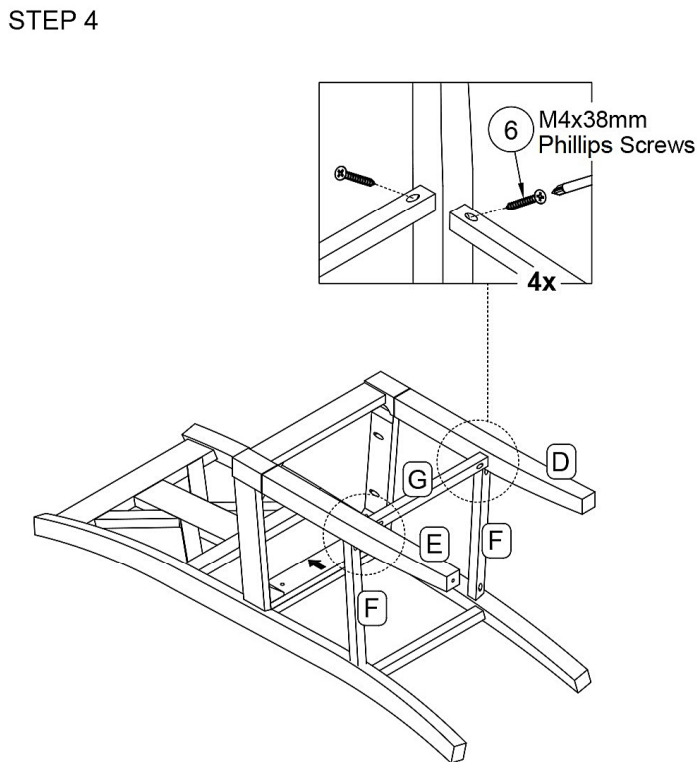
NOTE : Do not completely tighten screws until the stool is fully assembled.



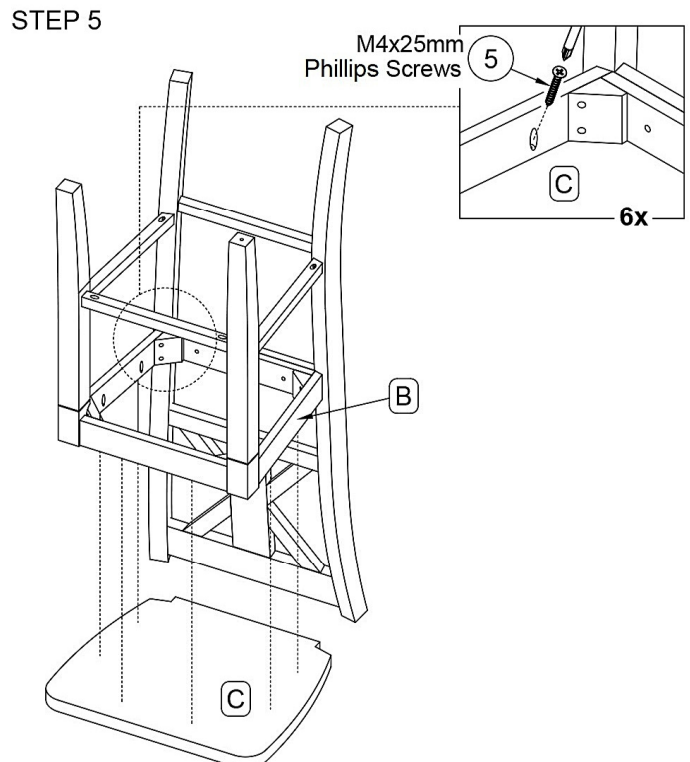
Apply some Glue (Part 8) to the bottom holes of the Chair Back (Part A) and insert the Left and Right Side Braces (Part F). Insert (2) M4x38mm Phillips Screws (Part 6) and tighten using a Phillips Screwdriver (not included). **Do not fully tighten screws in this step.**



Loosely attach Right Front Leg (Part D) and Left Front Leg (Part E) to Box Frame (Part B) using (4) M6x70mm Hex Bolts (Part 1), (4) Lock Washers (Part 3), and (4) Flat Washers (Part 4). Apply Glue (Part 8) to the lower holes in the Front Legs and insert Footrest (Part G) and Left and Right Side Braces.



Insert (4) M4x38mm Phillips Screws (Part 6) into the Side Braces (Part F) & Front Footrest (Part G). Securely tighten using Phillips Screwdriver (not included).



Attach Wooden Seat (Part C) and Box Frame (Part B) using (6) M4x25mm Phillips Screws (Part 5). Securely tighten using Phillips Screwdriver (not included).

ENSURE THAT ALL SCREWS ARE FULLY TIGHTENED BEFORE USE.