

GFD35GSPYDS

GE® 7.8 cu. ft. Capacity Smart Front Load Gas Dryer with Quick Dry

Dimensions and Installation Information (in Inches)

Gas Dryer Rating	
120V	60Hz, 8A

Exhaust Options:

4-way via rear, left, right and bottom.
(The right, left and bottom venting options require Side Vent Kit: GFA28DSVN)

Circuit Requirements:

An individual, properly grounded branch circuit, protected by a 30-amp circuit breaker or a time-delay fuse, is required.

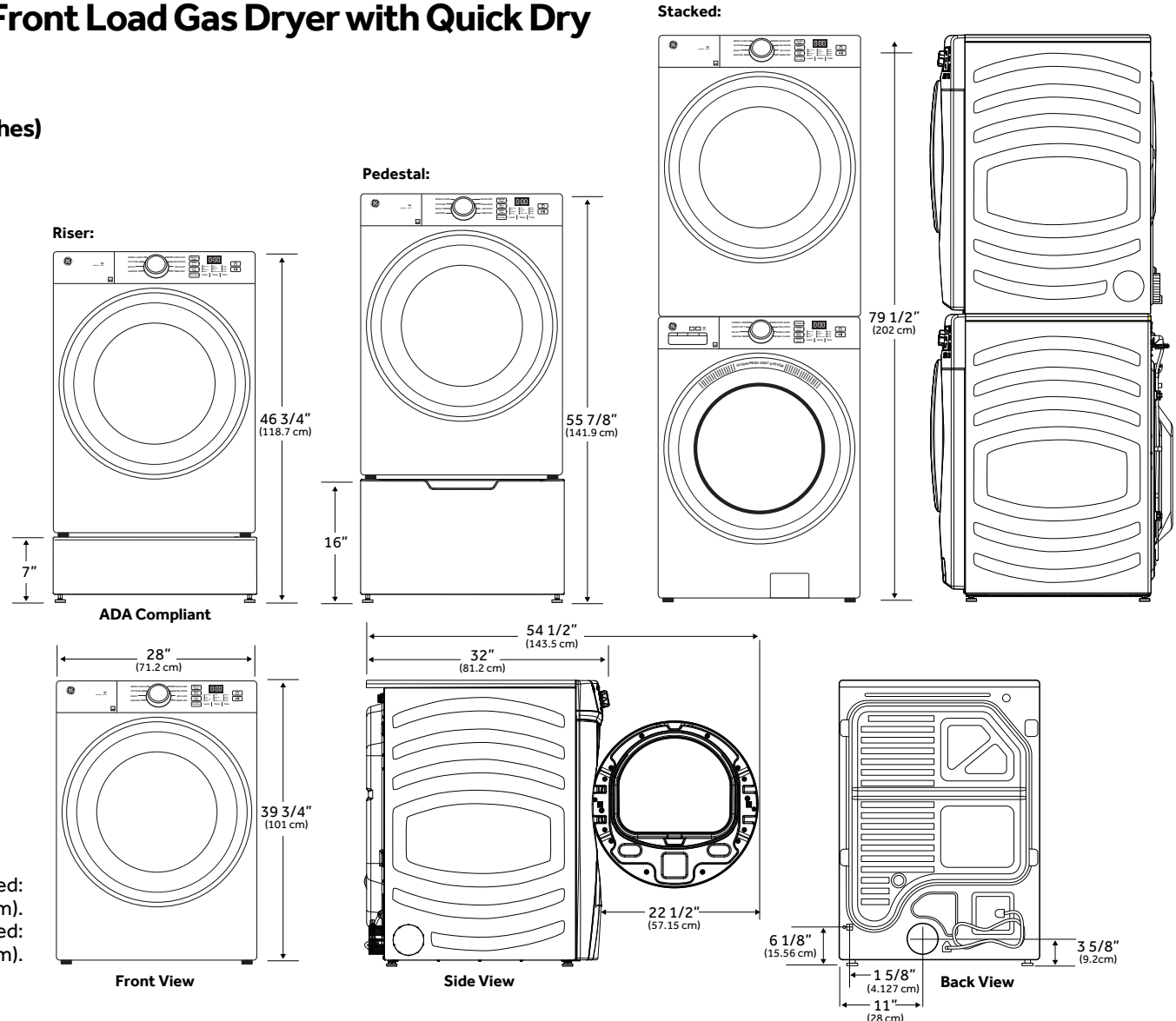
Note:

Dryer wall outlet must be located within 36" of service cord entry and accessible when dryer is mounted in position.

Installation Information:

For complete information, see installation instructions packed with your dryer.

*With leveling legs retracted:
39-3/4" (101 cm).
With leveling legs fully extended:
40-5/8" (103.1 cm).



For answers to your Monogram, Café™, GE Profile™ or GE Appliances product questions, visit our website at geappliances.com or call GE Answer Center® Service, 800.626.2000



Listed by Underwriters Laboratories

Specification Revised 12/24

GFD35GSPYDS

GE® 7.8 cu. ft. Capacity Smart Front Load Gas Dryer with Quick Dry

Special Installation Requirements:

Stacked Installation:

Brackets for stacking dryer over washer are not included with the washer. Order part no. GFA28KITN.

Alcove Or Closet Installation:

- If your dryer is approved for installation in an alcove or closet, it will be stated on a label on the dryer back.
- The dryer MUST be exhausted to the outside.
- Minimum clearances between dryer cabinet and adjacent walls or other surfaces are: 0" all sides and top.*
- Closet doors must be louvered or otherwise ventilated and must contain a minimum of 60 sq. in. of open area equally distributed. If this closet contains both a washer and a dryer, doors must contain a minimum of 120 sq. in. of open area equally distributed.
- No other fuel-burning appliance shall be installed in the same closet with a gas dryer.

Bathroom Or Bedroom Installation:

- The dryer MUST be exhausted to the outside.
- The installation must conform with the local codes, or in the absence of local codes, with the National Electric Code and National Fuel Gas Code, ANSI Z223 for gas dryers.

Minimum Clearance Other Than Alcove Or Closet Installations:

Minimum clearances to combustible surfaces 0" all sides and top.*

For More Information On Venting Kits And Accessories, Please Call 1-800-GE-CARES.

*For improved performance, a 1/2" clearance is suggested on each side.

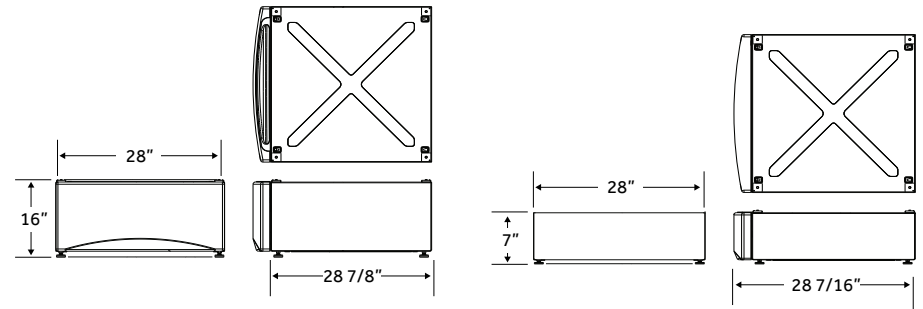
**Accessories sold separately.

Dryer Accessories**

GE Part Number	Description
WR97X27706	Touch Up Paint (Carbon Graphite) 0.5 oz.
WE02X29449	Dryer Rack Assembly
GFA28DSVN	Side Vent Kit
WX17X10001CA	Vibration Pads
GFP1528PTDS	Pedestal (Carbon Graphite)
GFR0728PTDS	Riser (Carbon Graphite)
GFA28KITN	Stacking Kit
WE25M87	LP Conversion Kit

Warranty

Labor Warranty	Limited 1-Year Entire Appliance
Parts Warranty	Limited 1-Year Entire Appliance Limited 10-Year Motor



Pedestal Dimensions (in Inches)

The optional 16" pedestal raises the door opening and height of the washer or dryer.

Riser Dimensions (in Inches)

The optional 7" riser raises the door opening and height of the washer or dryer while remaining ADA-compliant.



GE APPLIANCES



Listed by Underwriters Laboratories

GFD35GSPYDS

GE® 7.8 cu. ft. Capacity Smart Front Load Gas Dryer with Quick Dry

Dryer Exhausting Information – Metal Duct Only

For complete information, see installation instructions packed with your dryer.

Ducting Materials: For best performance, this dryer should be vented with 4" diameter all-rigid metal exhaust duct. If rigid-metal duct cannot be used, then UL-listed flexible metal (semi-rigid) ducting can be used (Kit PM08X10084 or PM08X10085). In special installations, it may be necessary to connect the dryer to the house vent using a flexible metal (foil-type) duct. A UL-listed flexible metal (foil-type) duct may be used **ONLY** in installations where rigid metal or flexible metal (semi-rigid) ducting cannot be used **AND** where a 4" diameter can be maintained throughout the entire length of the transition duct. Please see installation instructions packed with your dryer for complete instructions when using flexible metal (foil type) ducting.

Exhaust Length Calculation:

1. Determine the number of 90° turns needed for your installation. If you exhaust to the side or bottom of dryer, add one turn.
2. The maximum length of 4" rigid (aluminum or galvanized) duct which can be tolerated is shown in the table.

A turn of 45° or less may be ignored. Two 45° turns within the duct length should be treated as a 90° elbow.

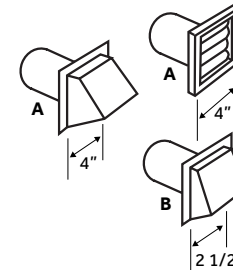
A turn over 45° should be treated as a 90° elbow.

Dryers must be exhausted to the outside.

Caution: For personal safety, do not terminate exhaust into a chimney, under any enclosed house floor (crawl space), or into an attic, since the accumulated lint could create a fire hazard or moisture could cause damage. Never terminate the exhaust into a common duct or plenum with a kitchen exhaust, since the combination of lint and grease could create a fire hazard.

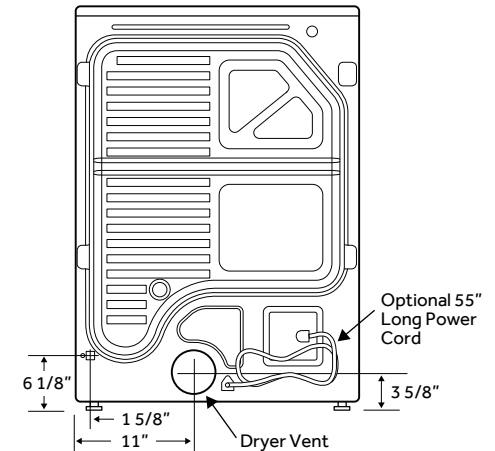
Exhaust ducts should be terminated in a dampered wall cap to prevent back drafts, bird nesting, etc. The wall cap must also be located at least 12" above the ground or any other obstruction with the opening pointed down.

For More Information On Venting Kits And Accessories, Please Call 1-800-GE-CARES.



Domestic Dryer Models

Best Performance		
Maximum length of 4" dia. rigid-metal duct		
Exhaust hood type		
Number of 90° turns	A 4" opening	B 2 1/2" opening
0	90 ft.	60 ft.
1	60 ft.	45 ft.
2	45 ft.	35 ft.
3	35 ft.	25 ft.
4	25 ft.	15 ft.



GFD35GSPYDS

GE® 7.8 cu. ft. Capacity Smart Front Load Gas Dryer with Quick Dry

Features and Benefits

Quick Dry – Quickly dries items and small loads for families on the go

Sanitize Cycle – Sterilize clothing with elevated temperatures designed to kill common household bacteria

WiFi Powered By SmartHQ™ – Start, stop and monitor your laundry from anywhere while receiving real-time notifications and updates

Wrinkle Care – Prevents wrinkles by extending the tumble without heat

Reversible Door – Easily reverse your washer and dryer door for superior installation flexibility

32" Depth – Fits into more homes, with no additional installation space required

Damp Alert – Signals when delicate clothes reach the ideal dampness level for ironing or final air drying

4-Way Venting – Easy-to-change venting options provide the ultimate installation flexibility to fit in your home

Model GFD35GSPYDS - Carbon Graphite



GE APPLIANCES



Listed by
Underwriters
Laboratories

Specification Revised 12/24