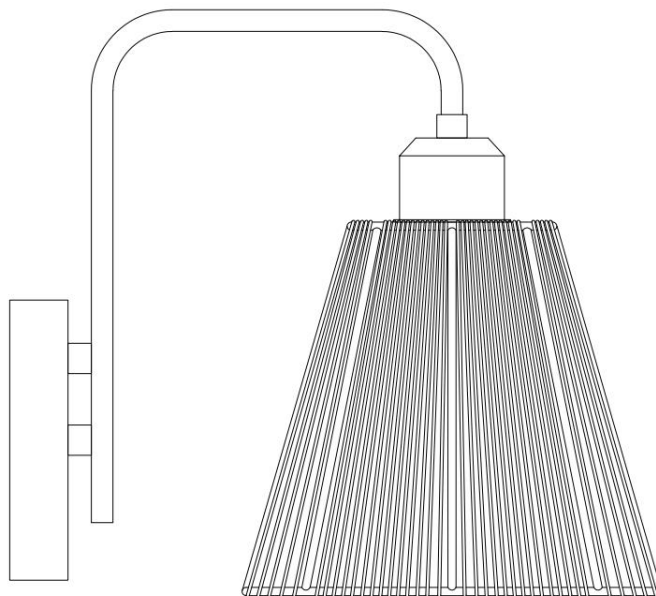




Parrot Uncle

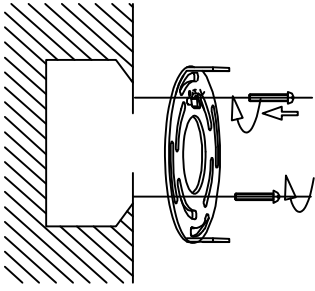
W3002



English / Español / Français

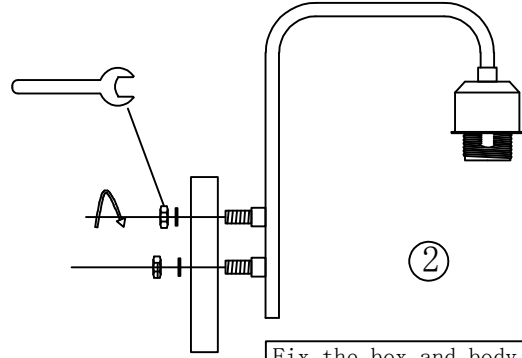
www.parrotuncle.com

W3002



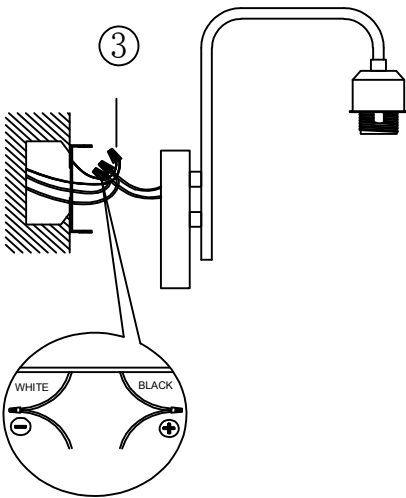
①

Install the bracket on top of the box



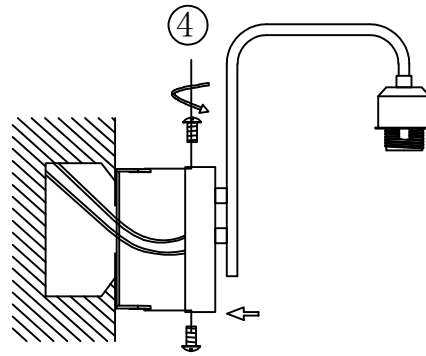
②

Fix the box and body together



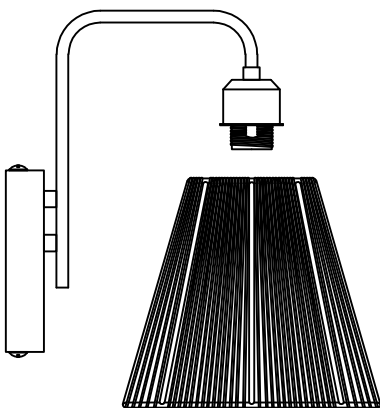
③

The black line is: L
The white line is: N
The yellow and green lines
are: grounding wires



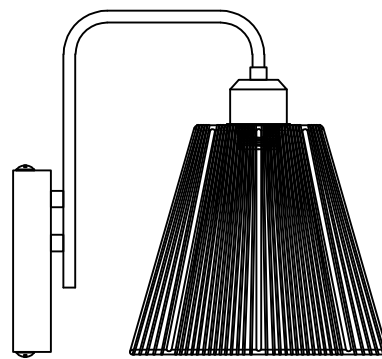
④

Screw the screw into the
mounting board, and secure
the light to the mounting
board.



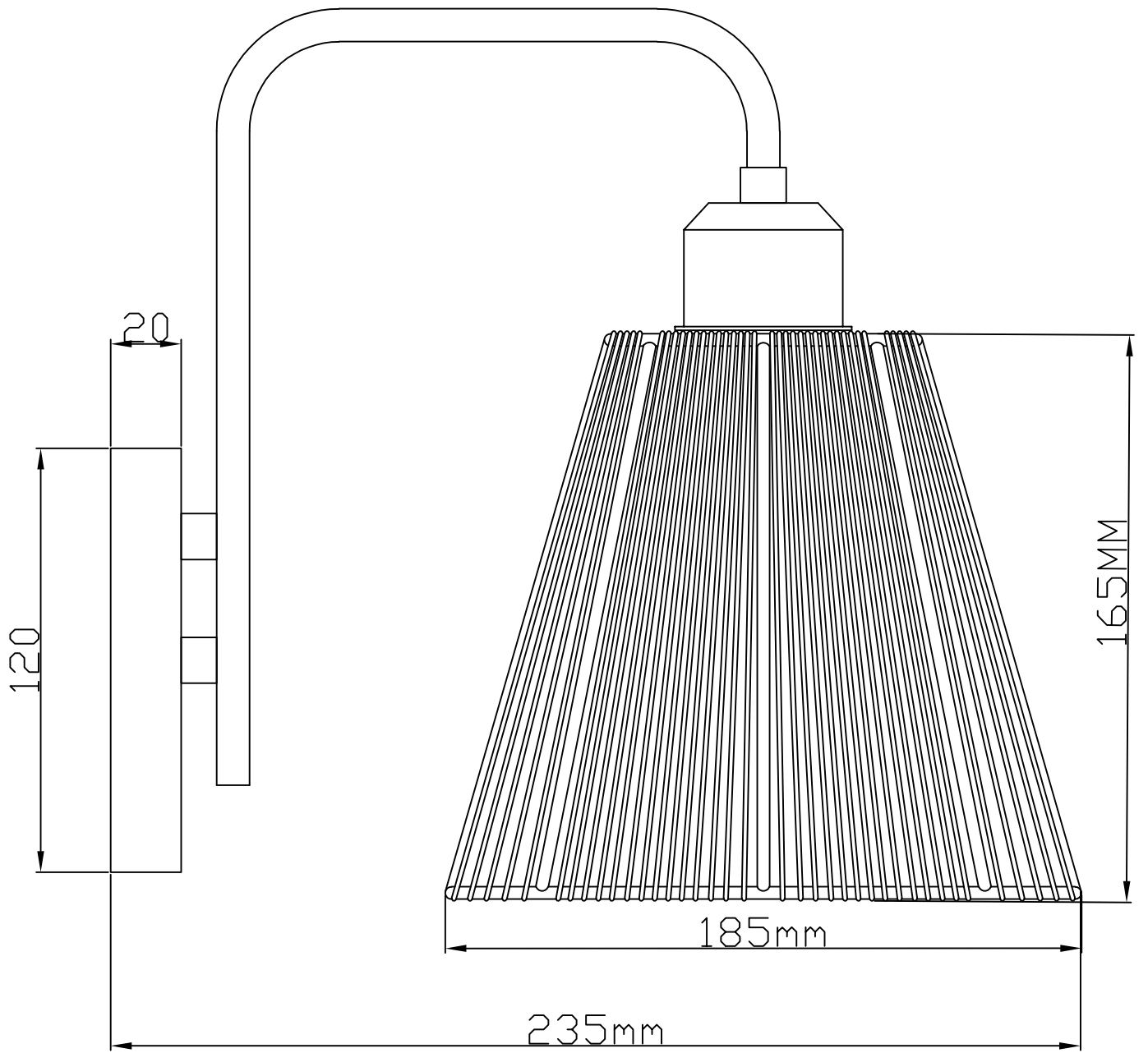
④

Install the lamp cap ring



⑤

Installing bulb





Parrot Uncle

MADE IN CHINA