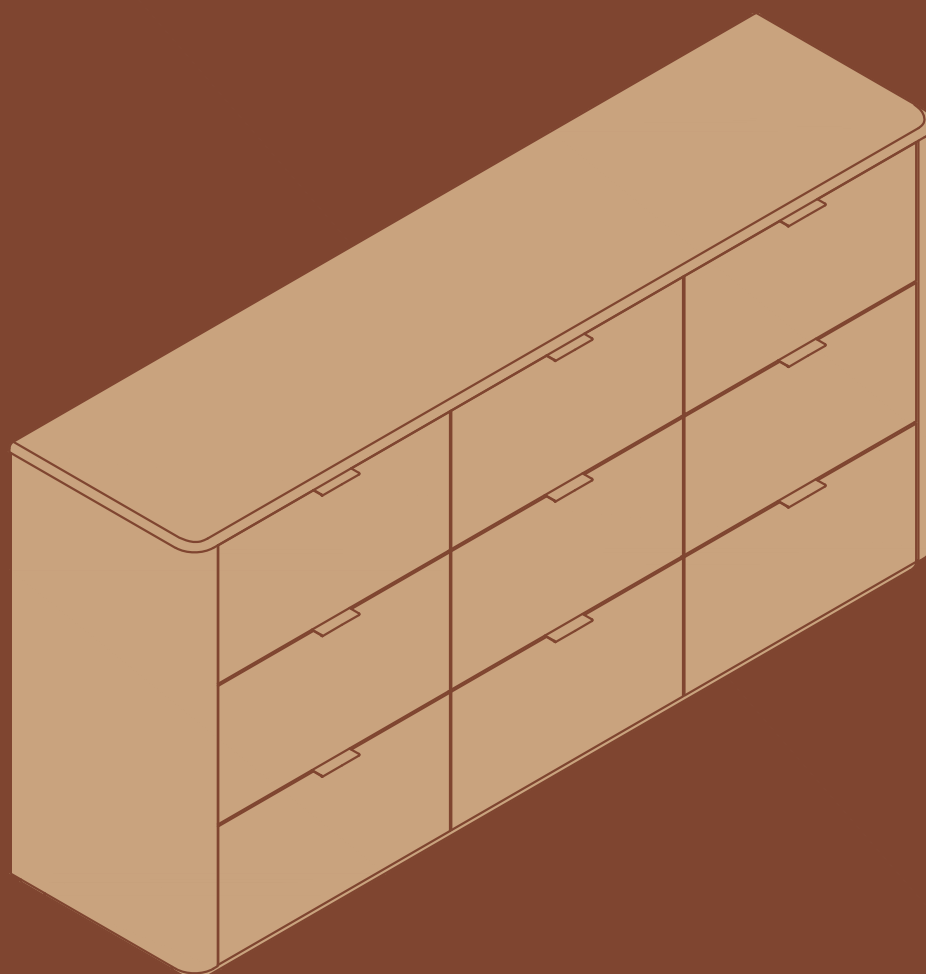


ASSEMBLY INSTRUCTION



Dresser

CATALOGUE

Precautions	01
Parts List	02
Hardware List	03
Tool List	04
Assembling Process	05-38

INTRODUCTION

Thank you for purchasing our products. Please read the instructions carefully before installation and keep it in a safe place for future reference. If you need any assistance or support, please feel free to contact our customer support team.

PRECAUTIONS

This package contains numerous components and hardware pieces. Please identify and verify all parts against the parts list before you begin assembly.

WARNING: Choking Hazard. This product contains small items. Keep all parts and hardware out of the reach of children during assembly.

To prevent scratches, assemble the product on a soft, non-abrasive surface such as a carpet, blanket, or the flattened cardboard packaging.

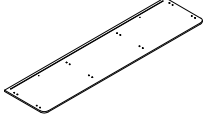
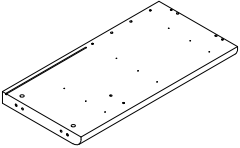
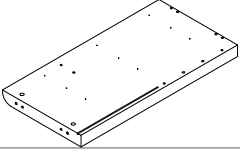
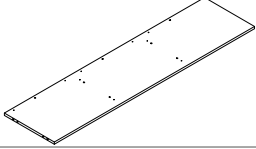
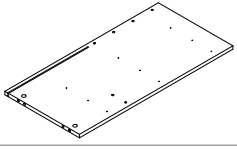
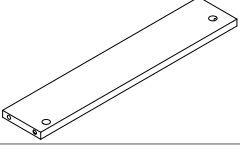
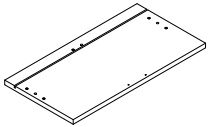
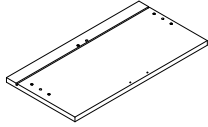
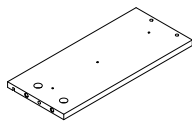
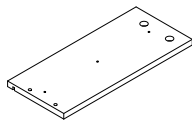
Some components are heavy. For safety, we recommend this product be assembled by two adults.

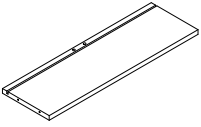
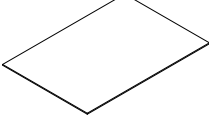
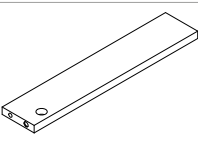
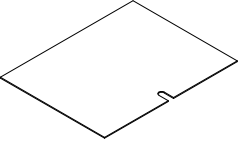
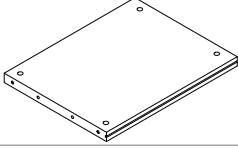
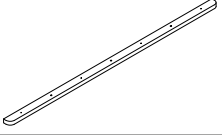
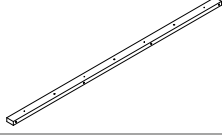
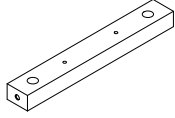
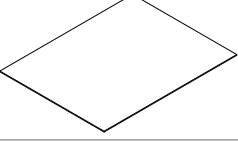
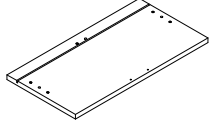
The unit may be unstable until assembly is fully complete. Do not move the product until all steps are finished.

If you encounter any issues or have questions, please contact our customer service team for assistance.


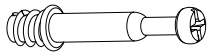



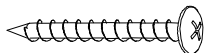

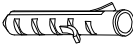
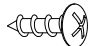
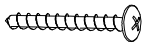
- * **Please be sure to follow the installation steps in the manual to avoid unnecessary losses caused by improper installation.**
- * **If you need further assistance, please contact the customer service online.**


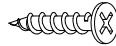


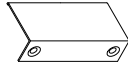
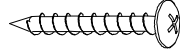
Parts List

ID	Parts	QTY
1		1
2		1
3		1
4		1
5		2
6		3
7		3
8		3
9		9
10		9

ID	Parts	QTY
11		9
12		9
13		9
14		2
15		3
16		1
17		1
18		4
19		1
20		3

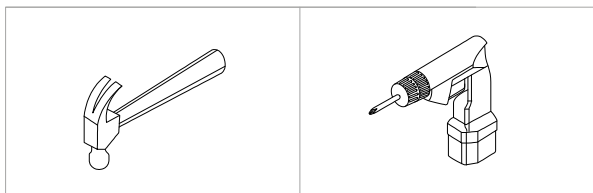
Hardware List

ID	Parts	QTY
A		83+2
B		83+2
C	 Ø6*30mm	36+2
D	 Ø8*30mm	43+2
E	 Ø8*Ø4*30mm	45+2
F	 Ø9*Ø4*40mm	10+1
G		2
H		2
I	 Ø9*Ø4*13mm	2
J	 Ø9*Ø4*35mm	2

ID	Parts	QTY
K		12+2
L	 Ø5.8*Ø3*16mm	12+2
M	 Ø7*Ø3.5*12mm	126+2
N		9
O		9
P	 Ø9*Ø4*30mm	16+2

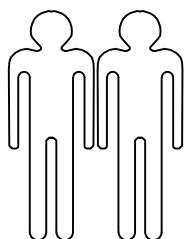
Tool List

Required Tools (Not Included)

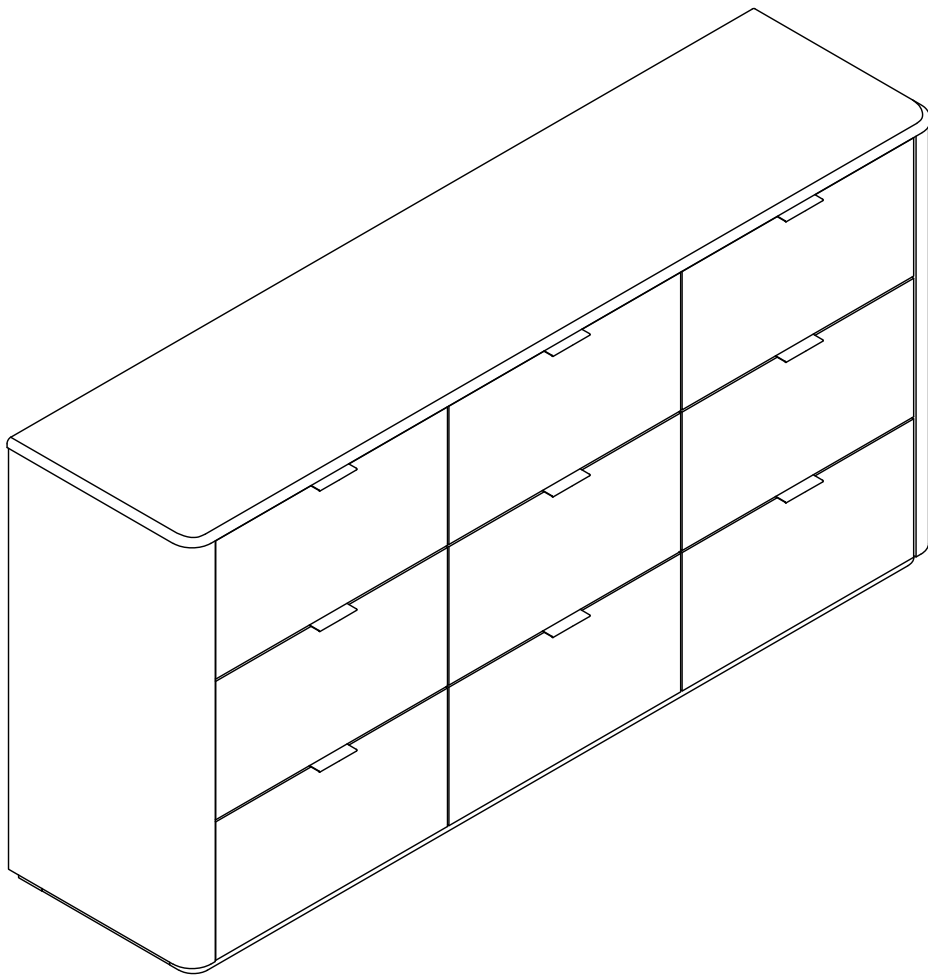


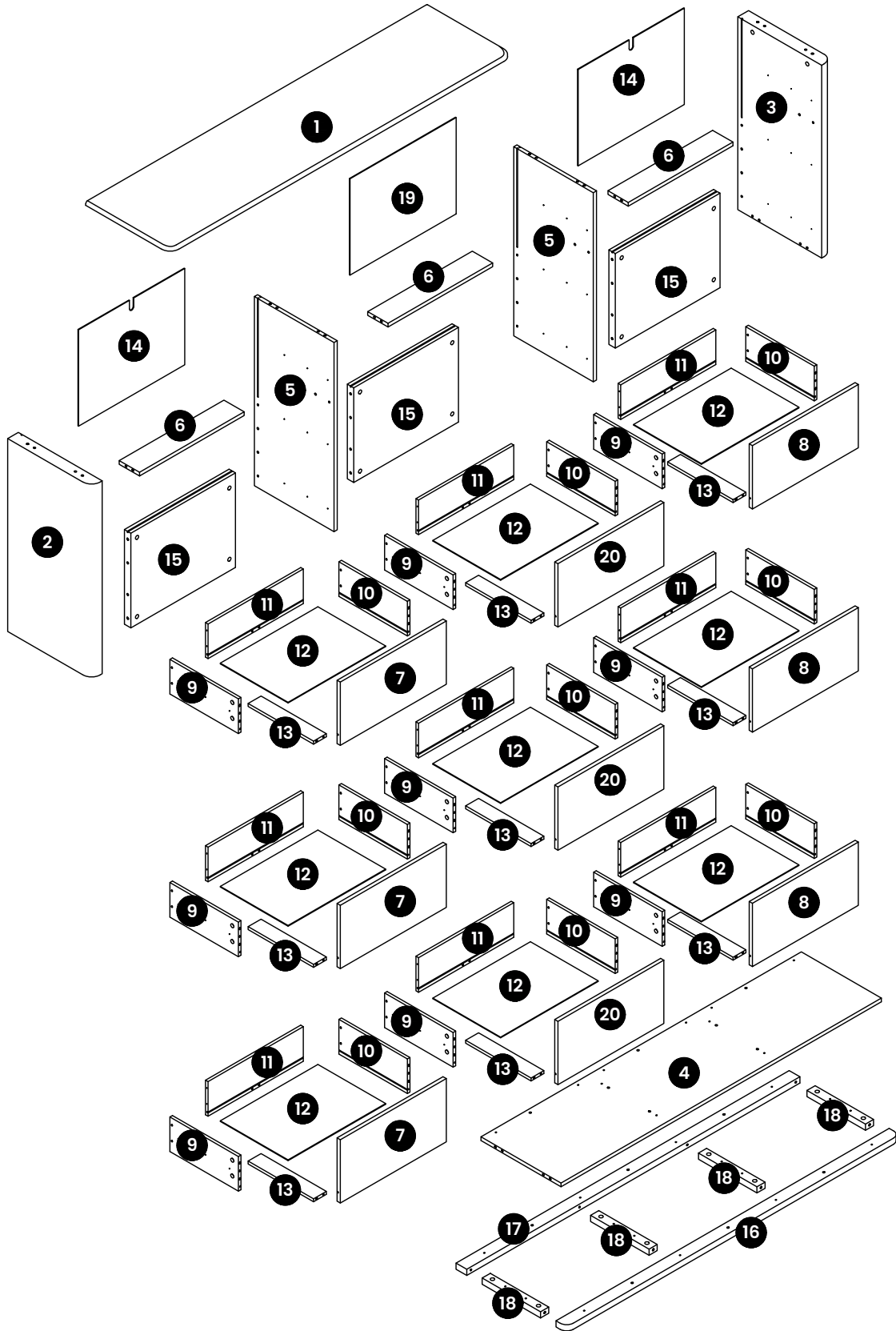
Wall mounting only

These tools are not required for product assembly.



Multi-person installation

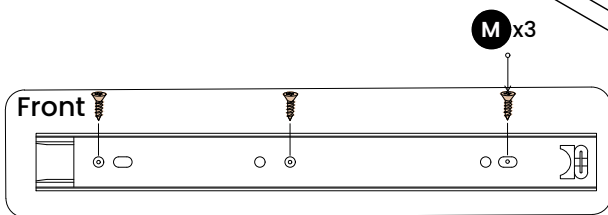
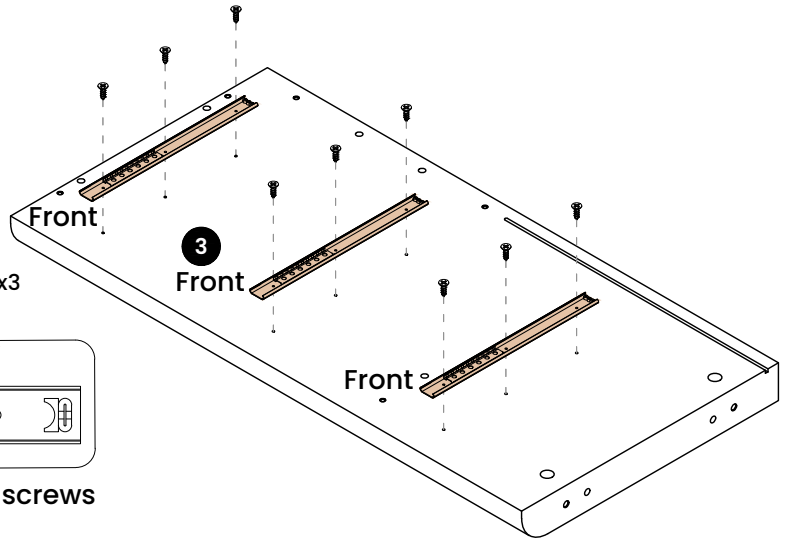





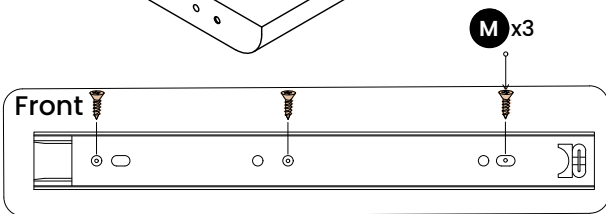
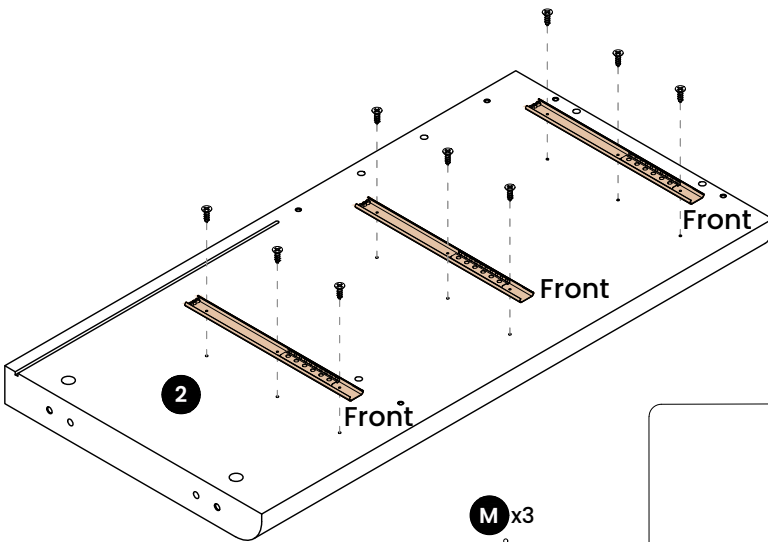
STEP 1

 **M** X18

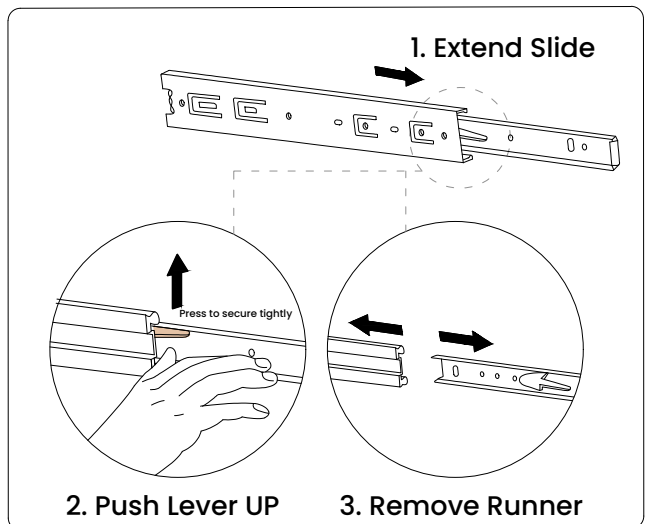
 **N** X3



 Pay attention to the position of the screws



 Pay attention to the position of the screws

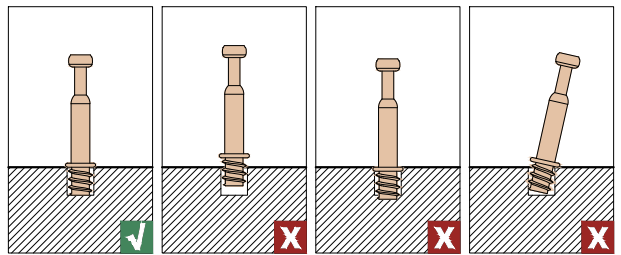
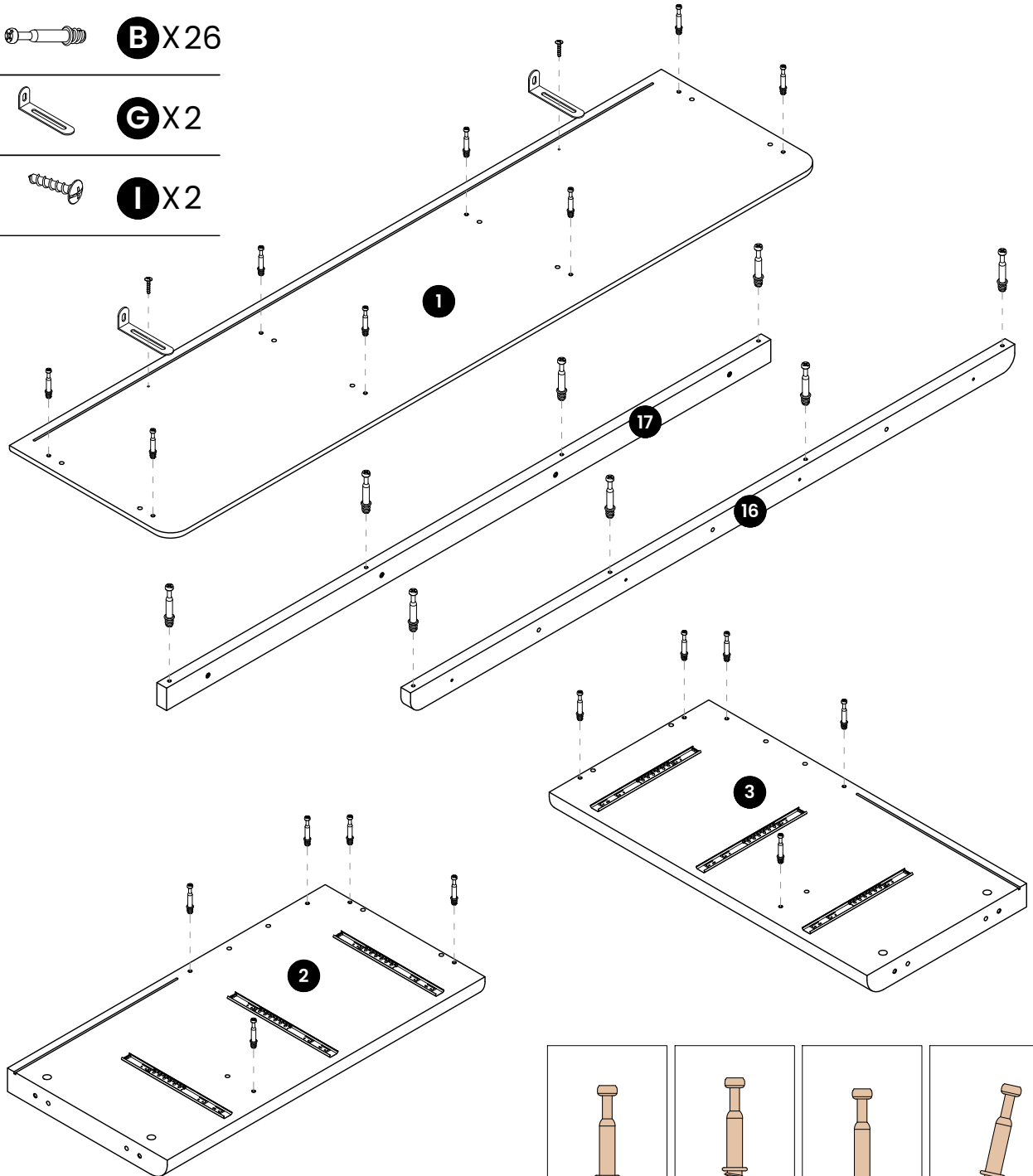


STEP 2

 **B** X26



 **G** X2

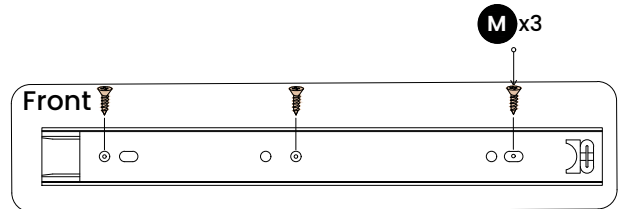
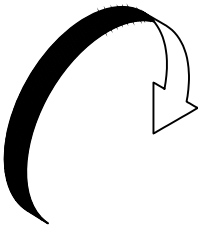
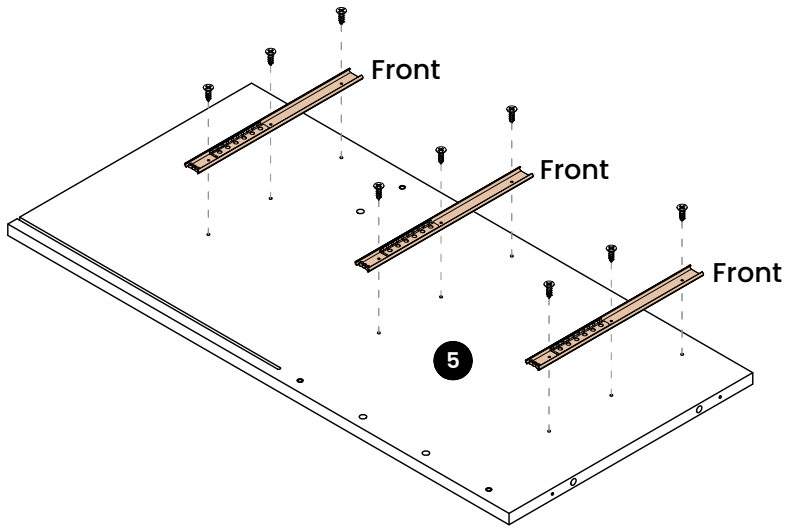
 **I** X2




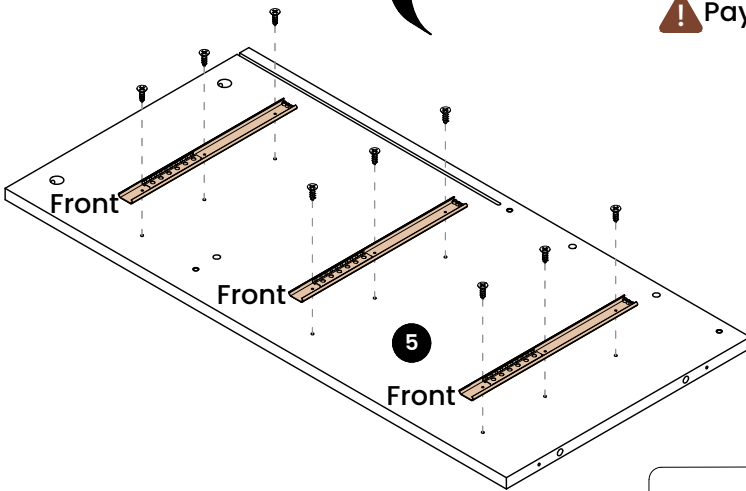
Install the screw correctly to secure the screw.

STEP 3

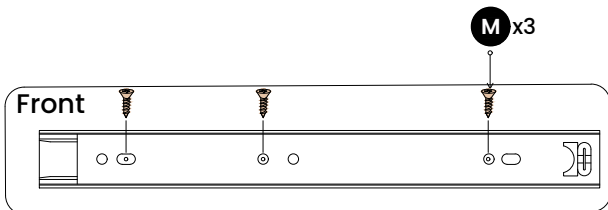
-  **M** X36
-  **N** X6




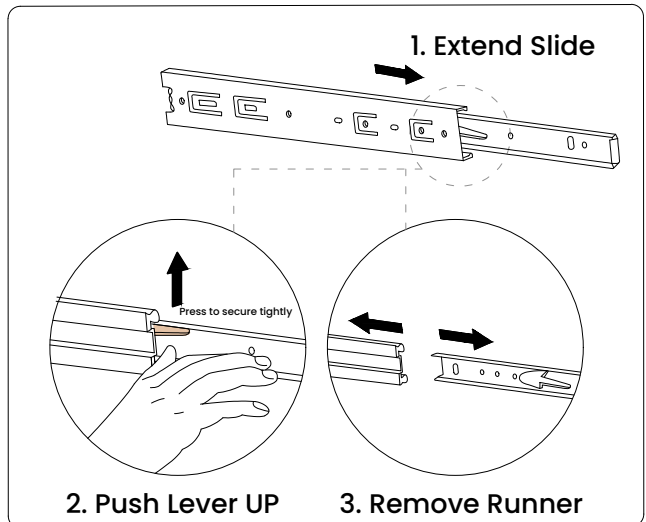
 Pay attention to the position of the screws



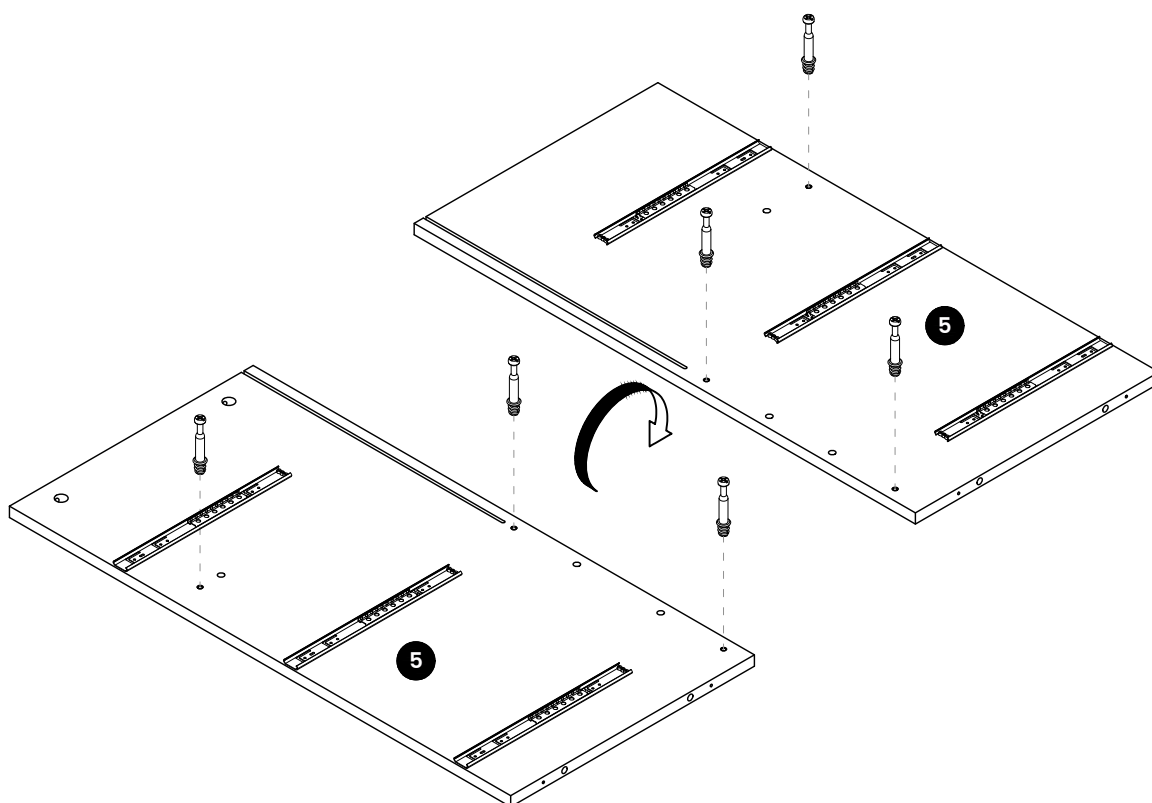
x2



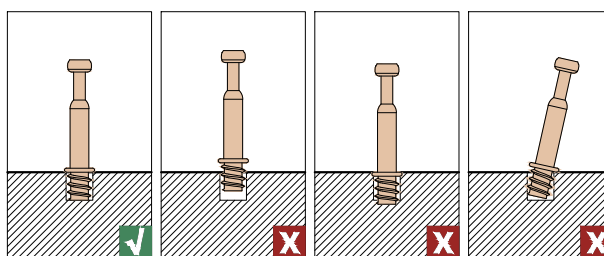
 Pay attention to the position of the screws



STEP 4



x2



Install the screw correctly to secure the screw.

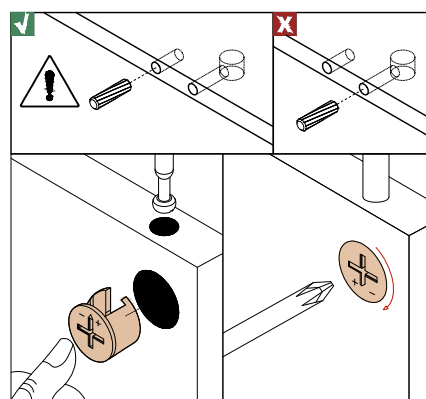
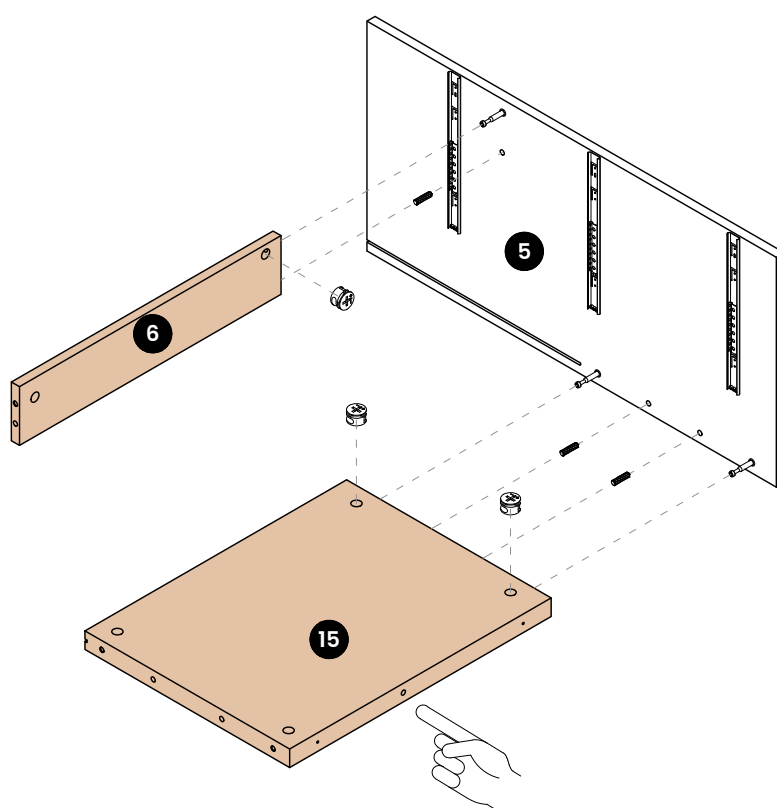
STEP 5



A X3



D X3



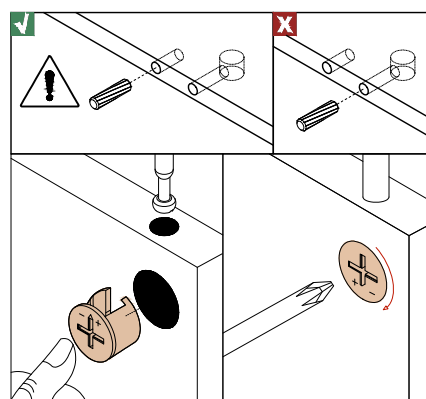
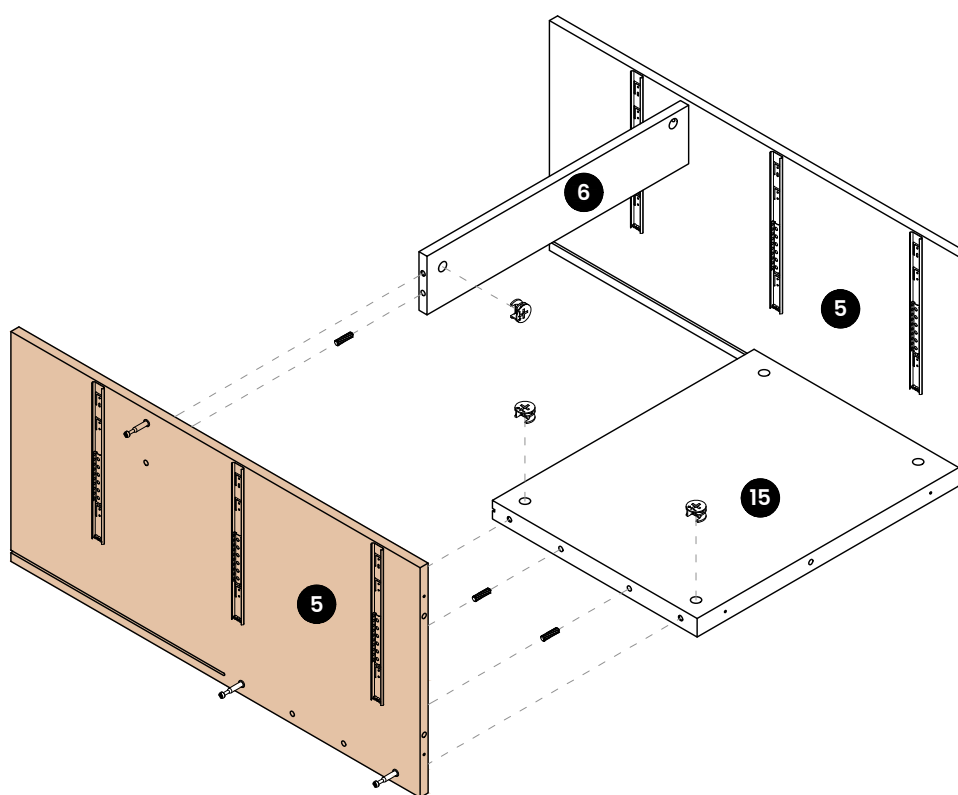
STEP 6



A X3



D X3



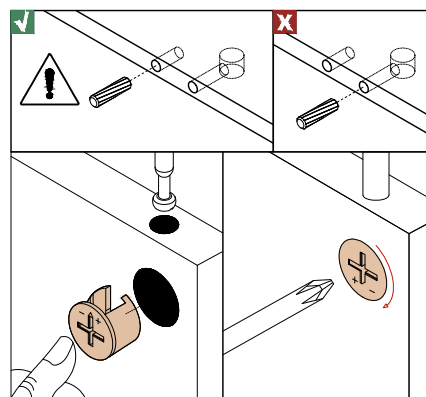
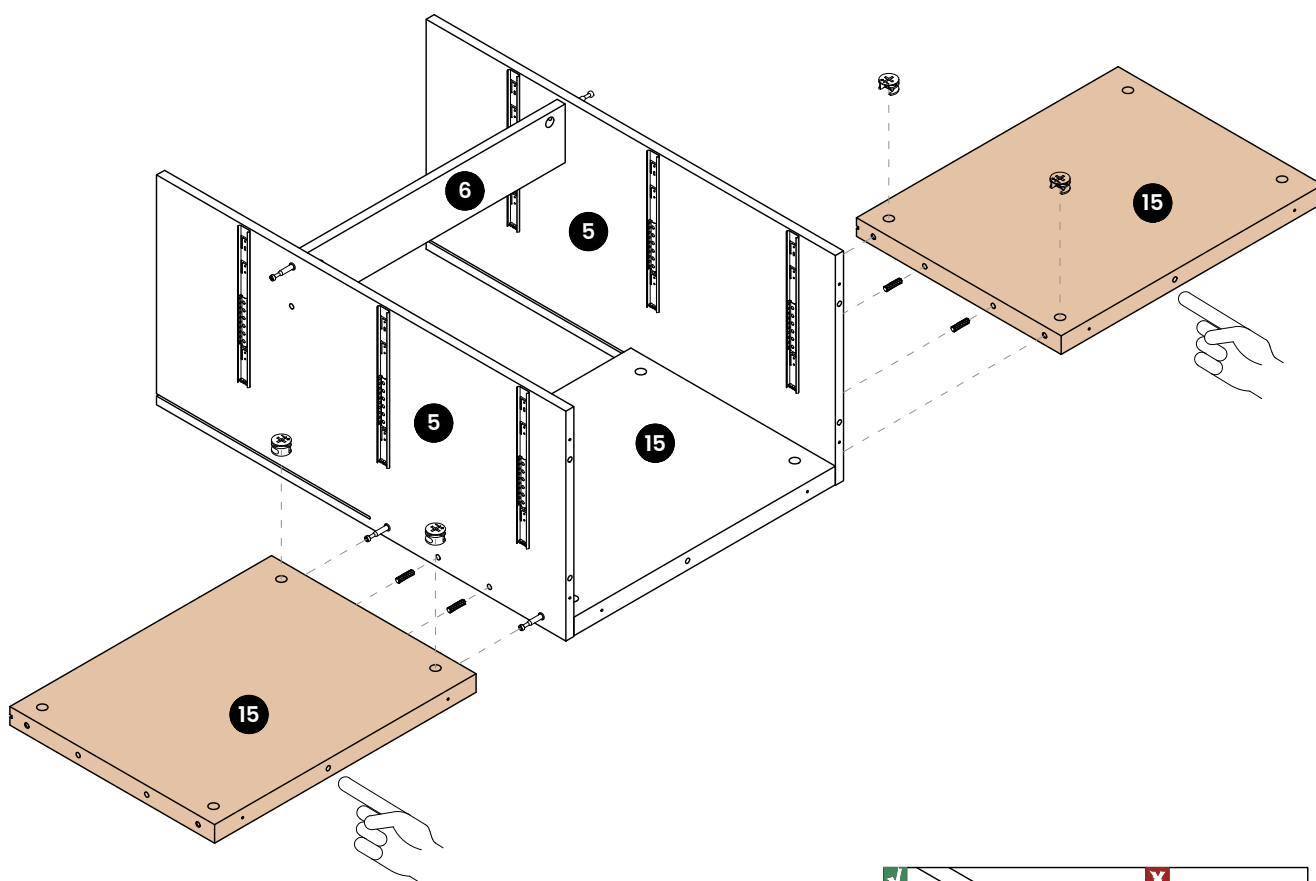
STEP 7



A X4



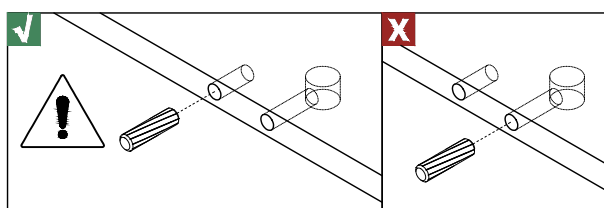
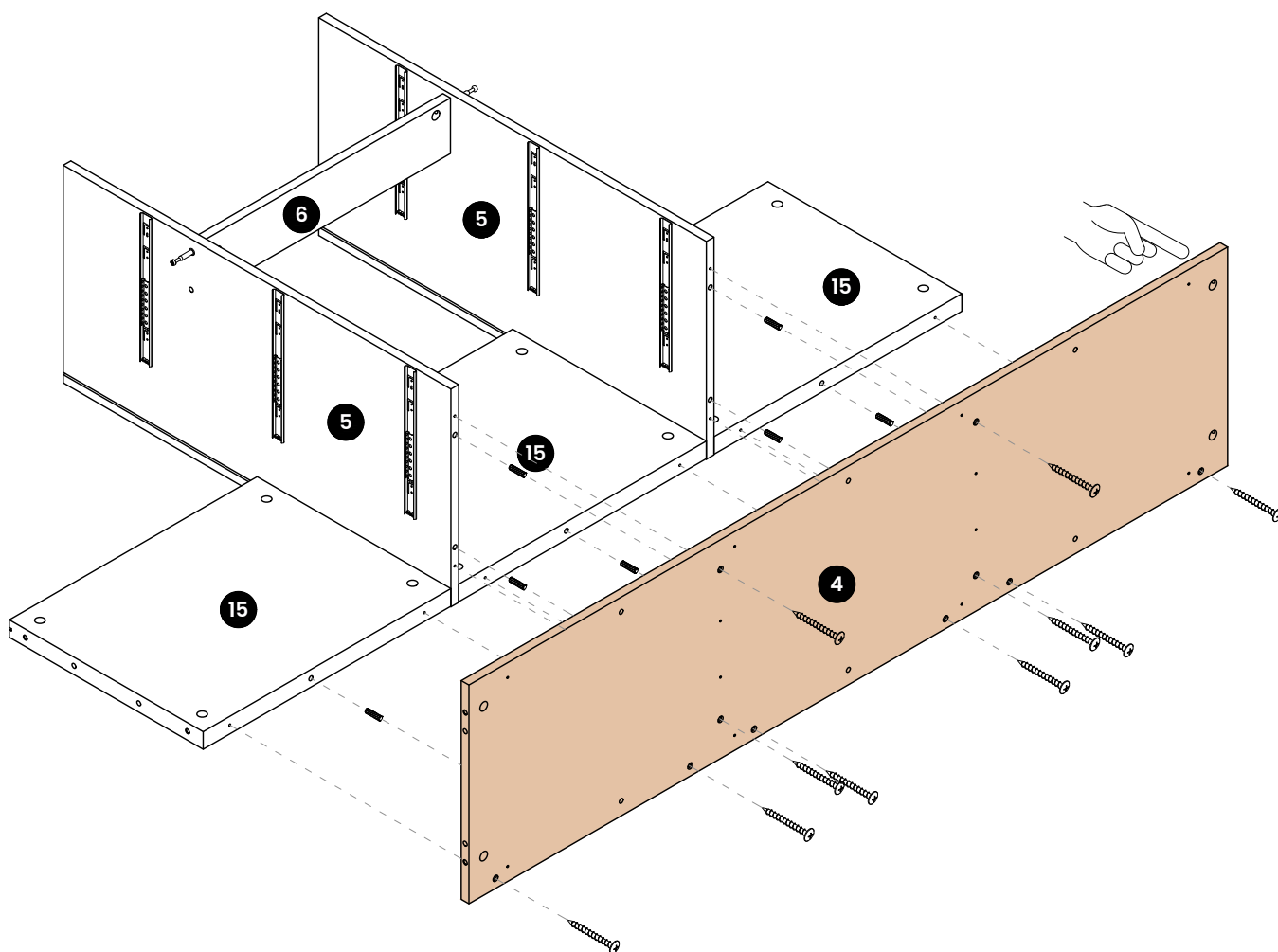
D X4



STEP 8

 **F** X10

 **D** X7



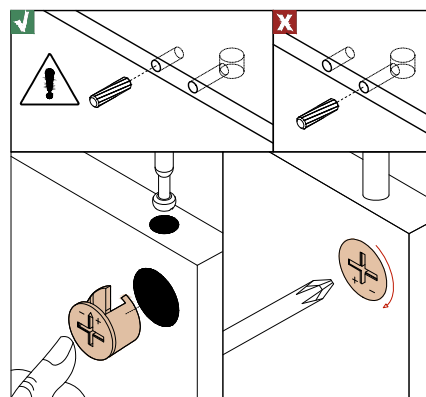
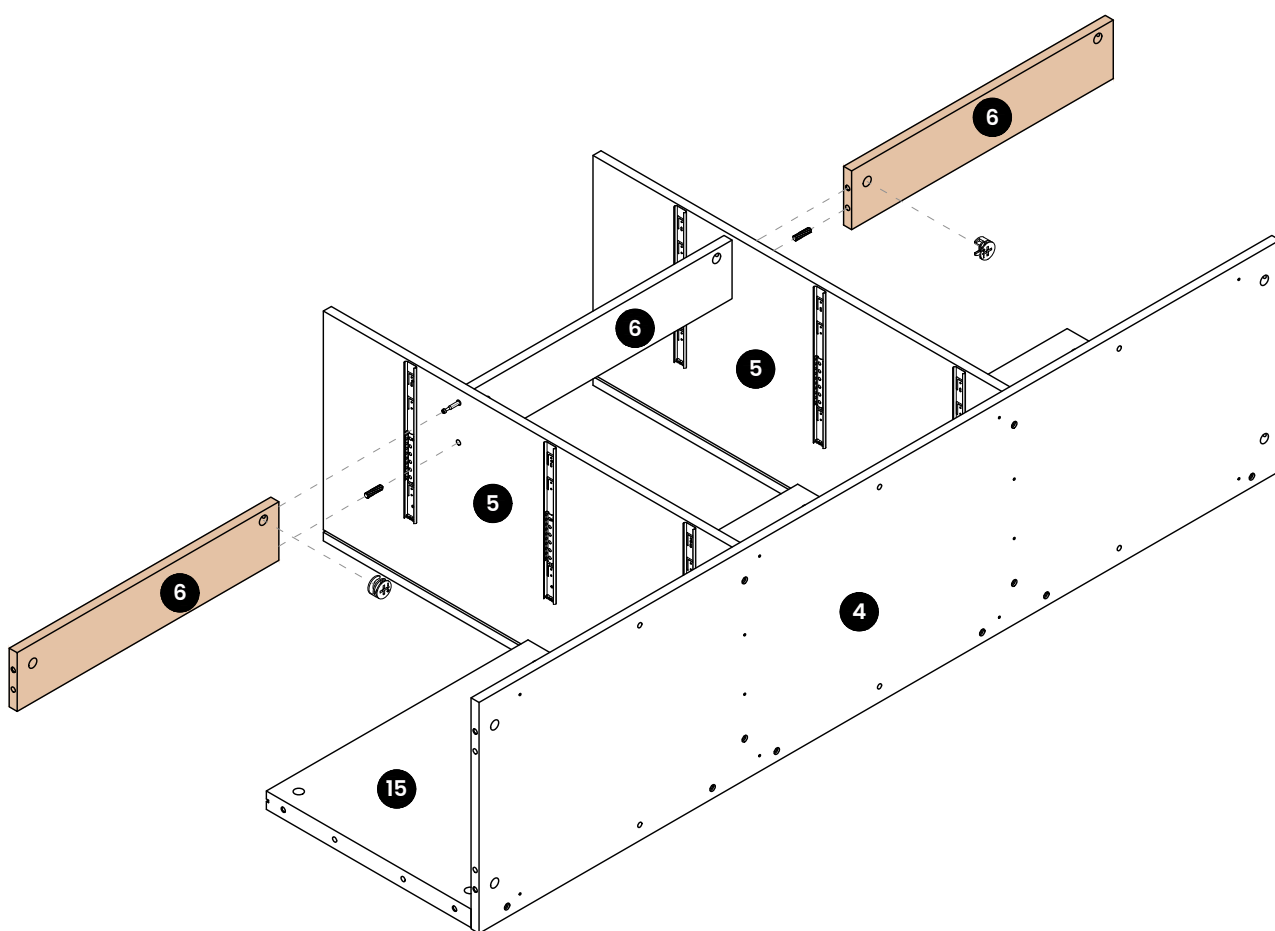
STEP 9



A X2



D X2



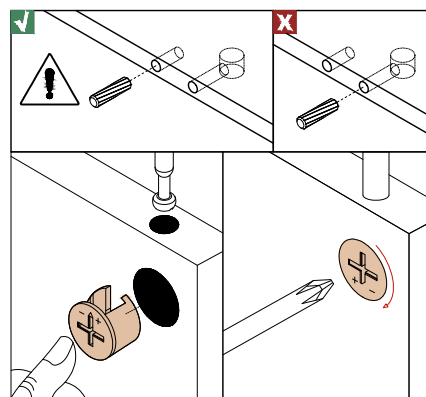
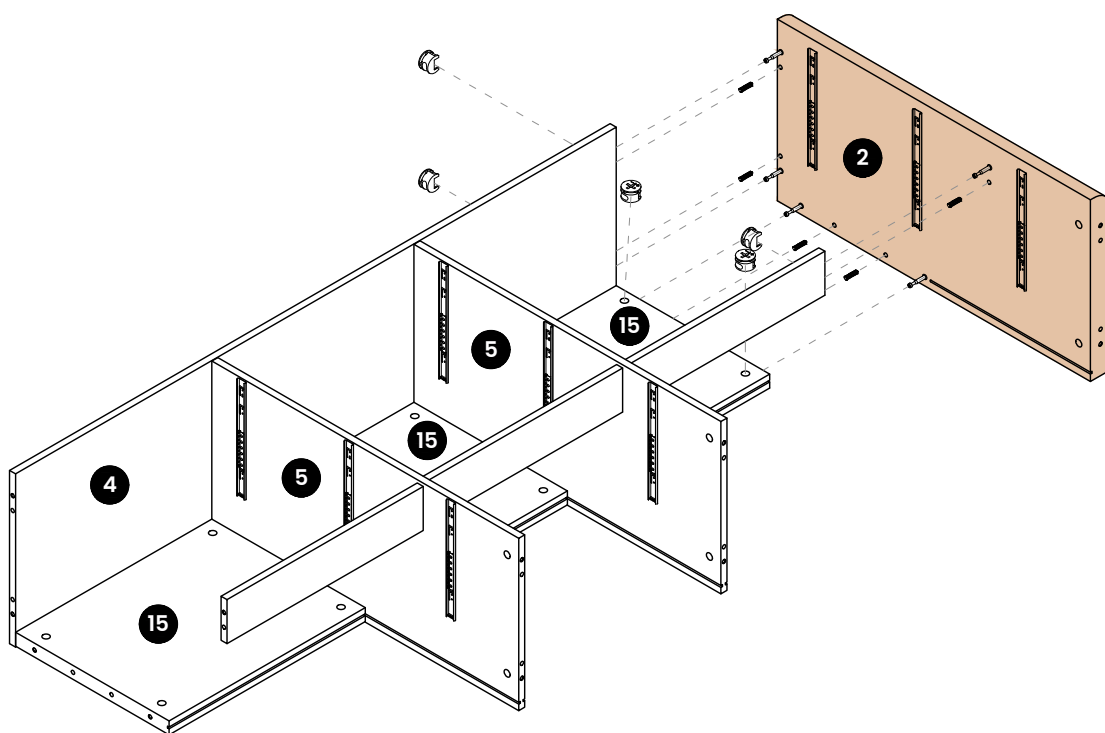
STEP 10



A X5



D X5



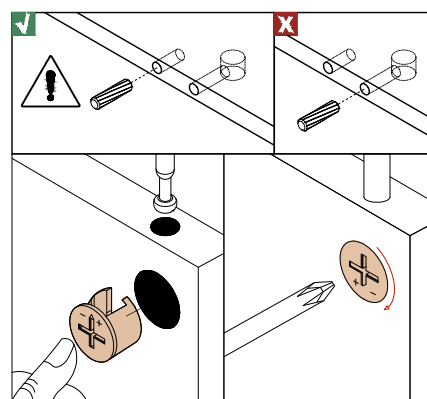
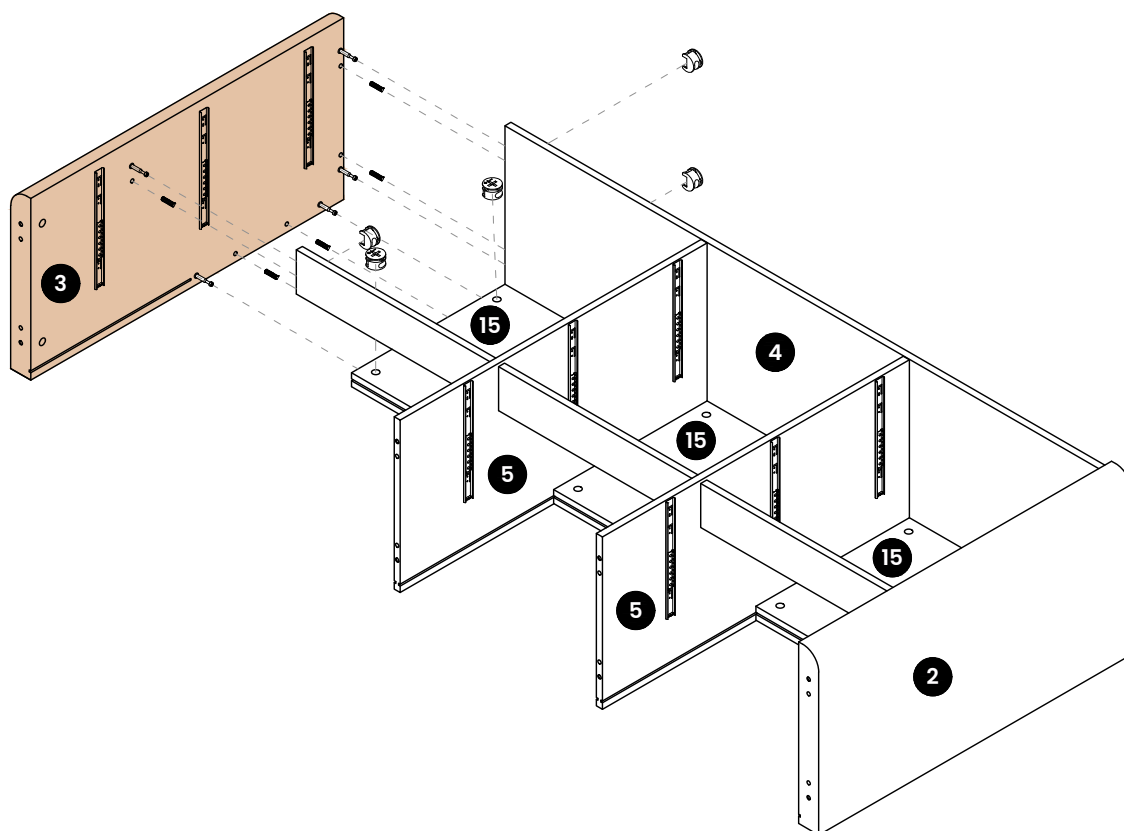
STEP 11

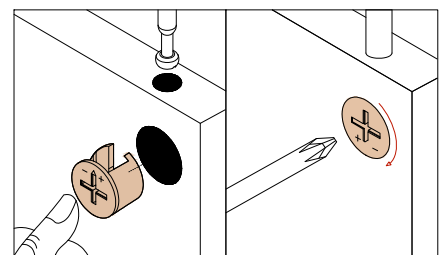
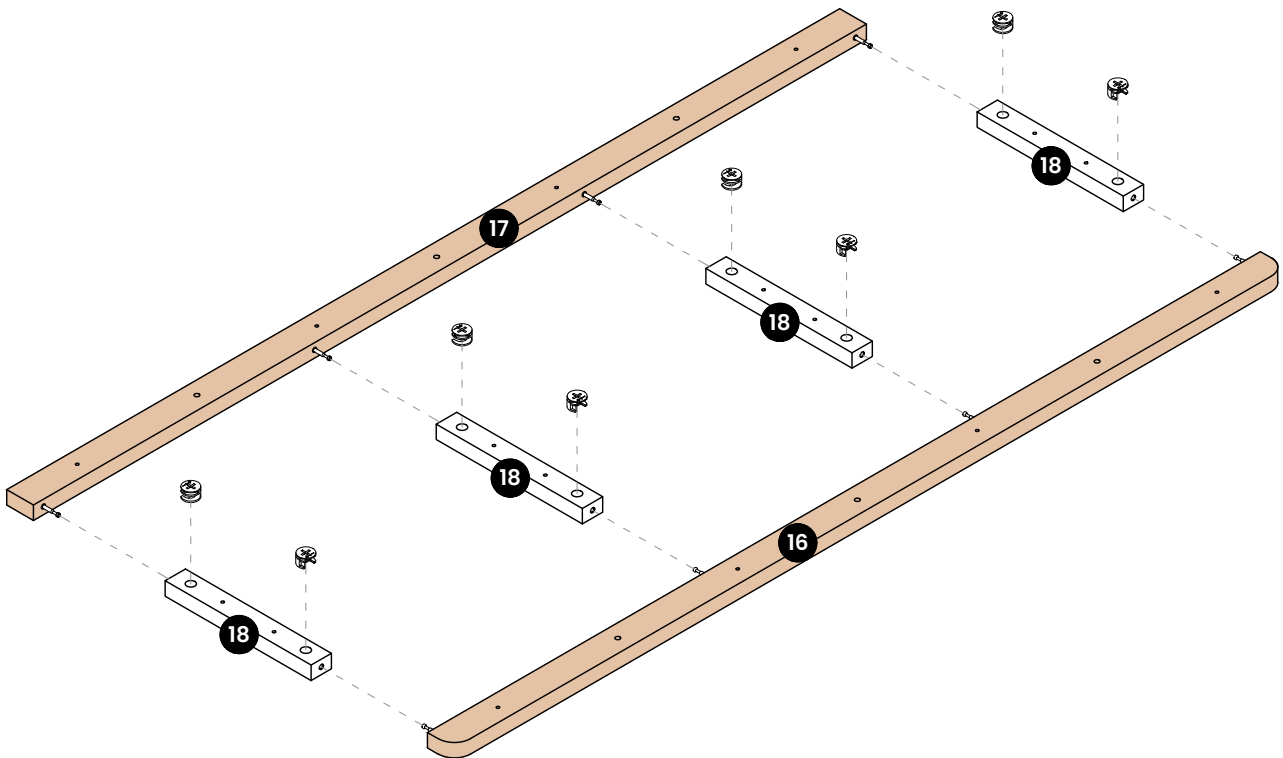


A X5



D X5

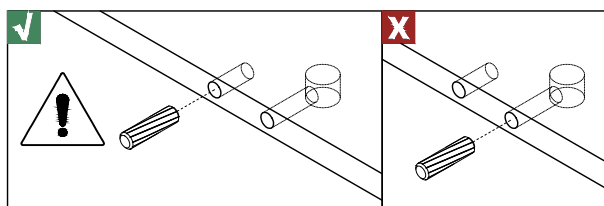
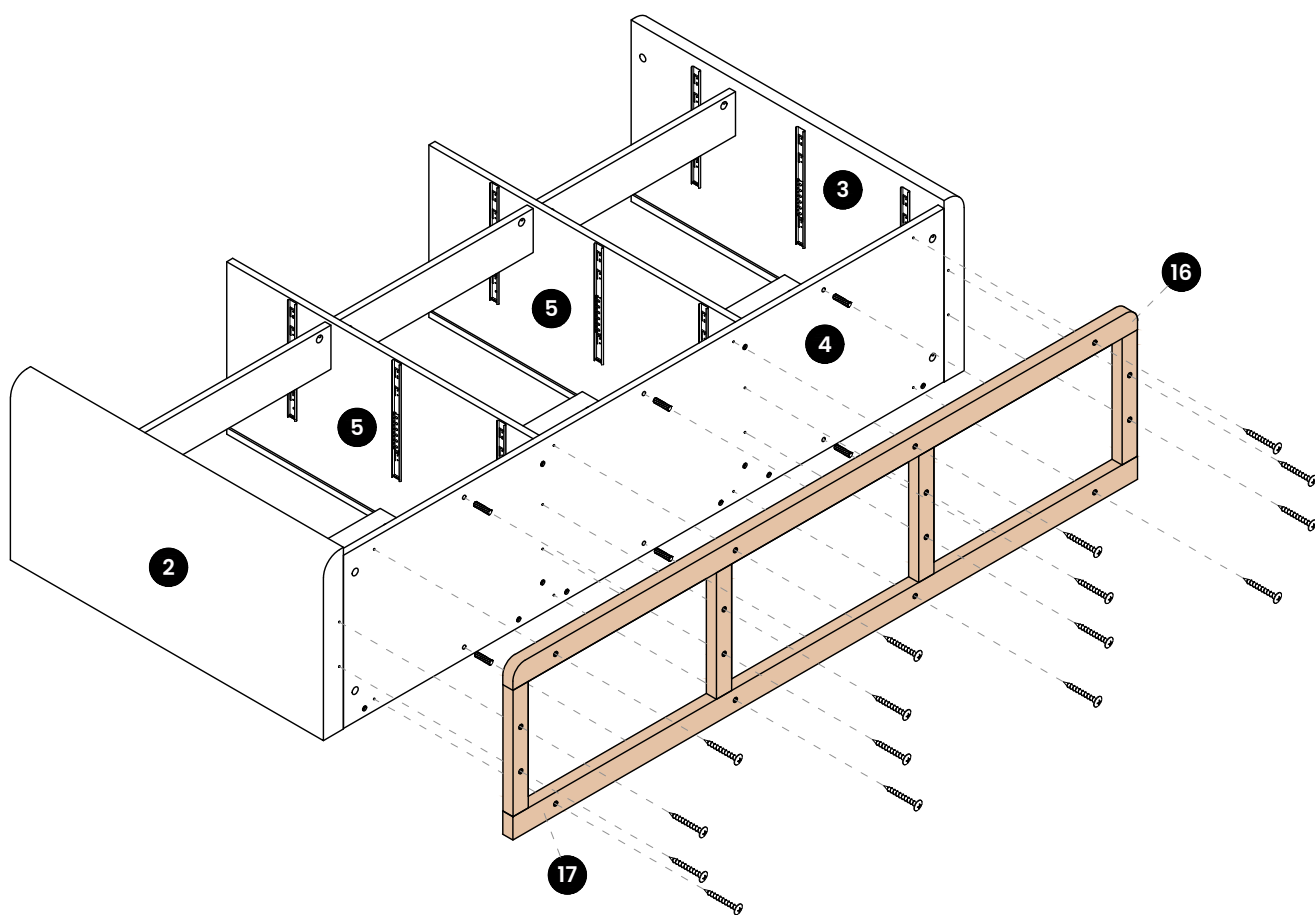


STEP 12**A** X8

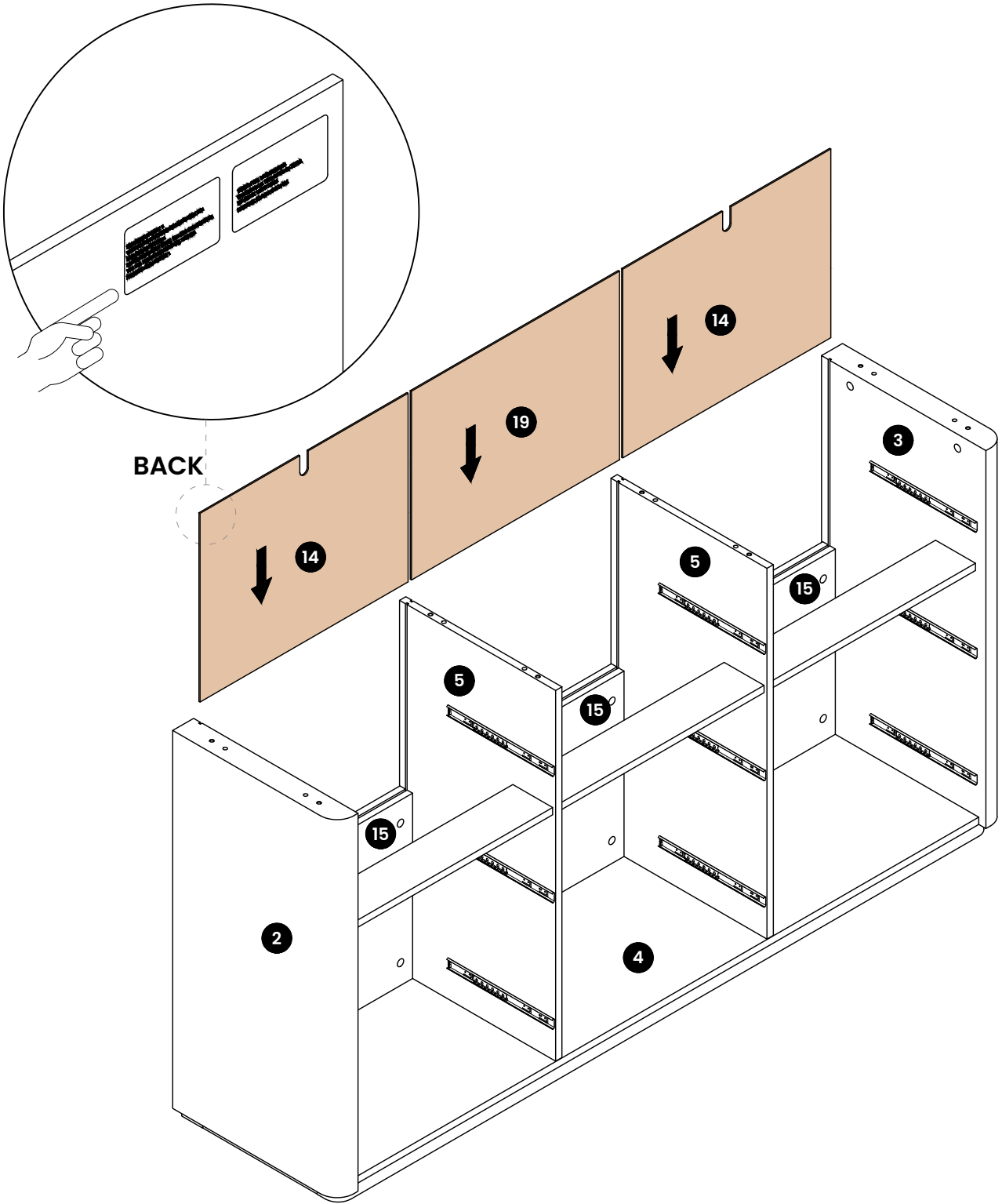
STEP 13

 **D**X6

 **P**X16



STEP 14



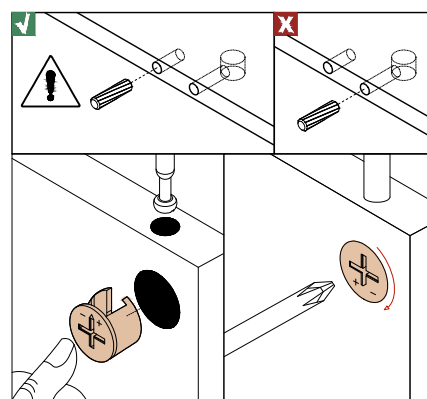
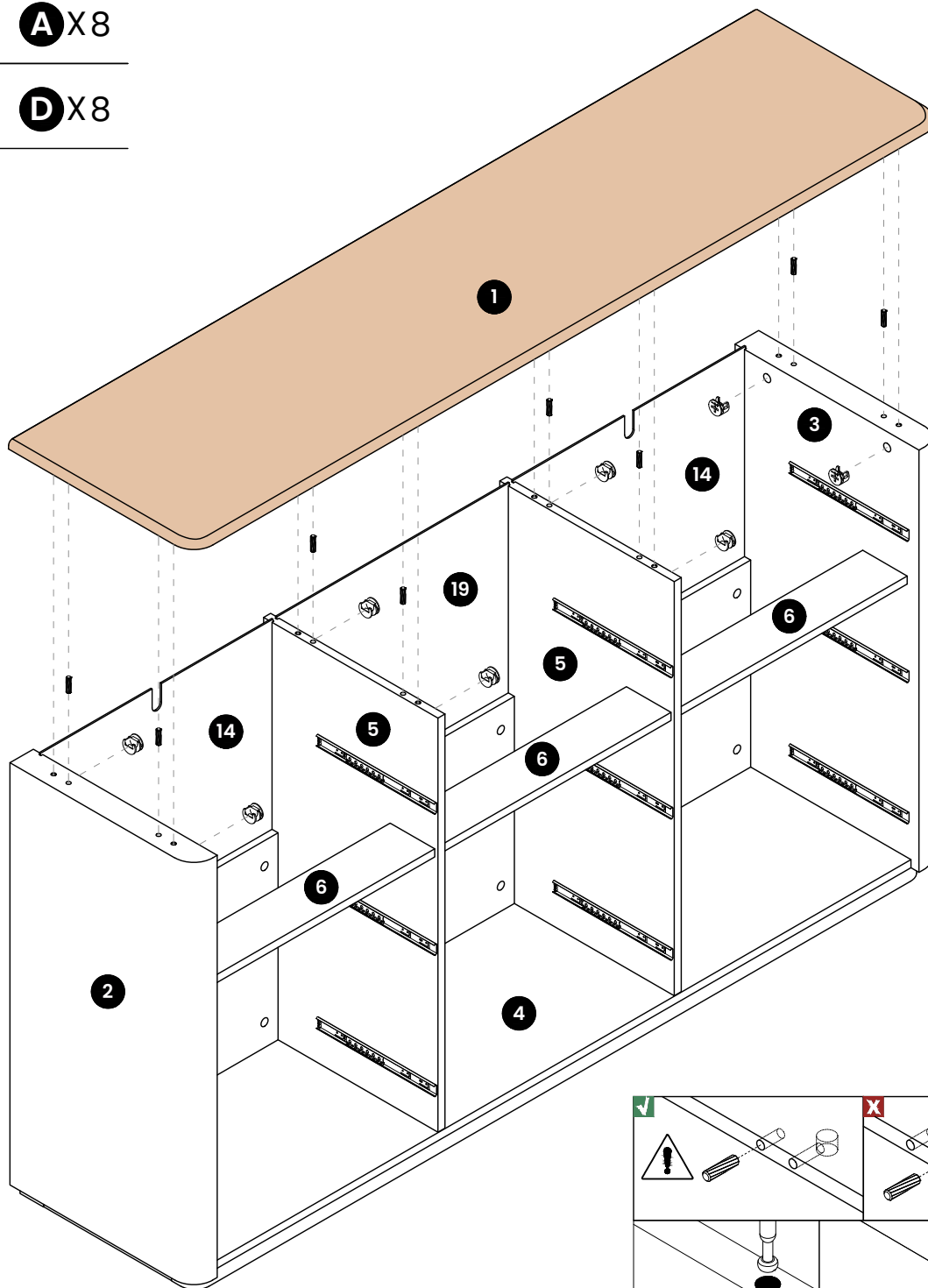
STEP 15

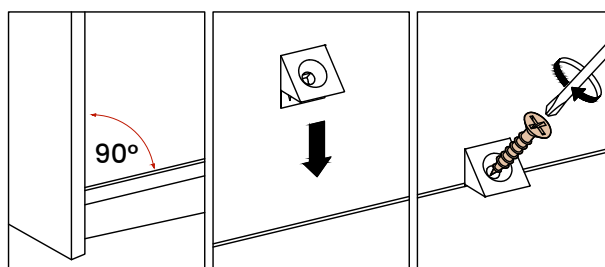
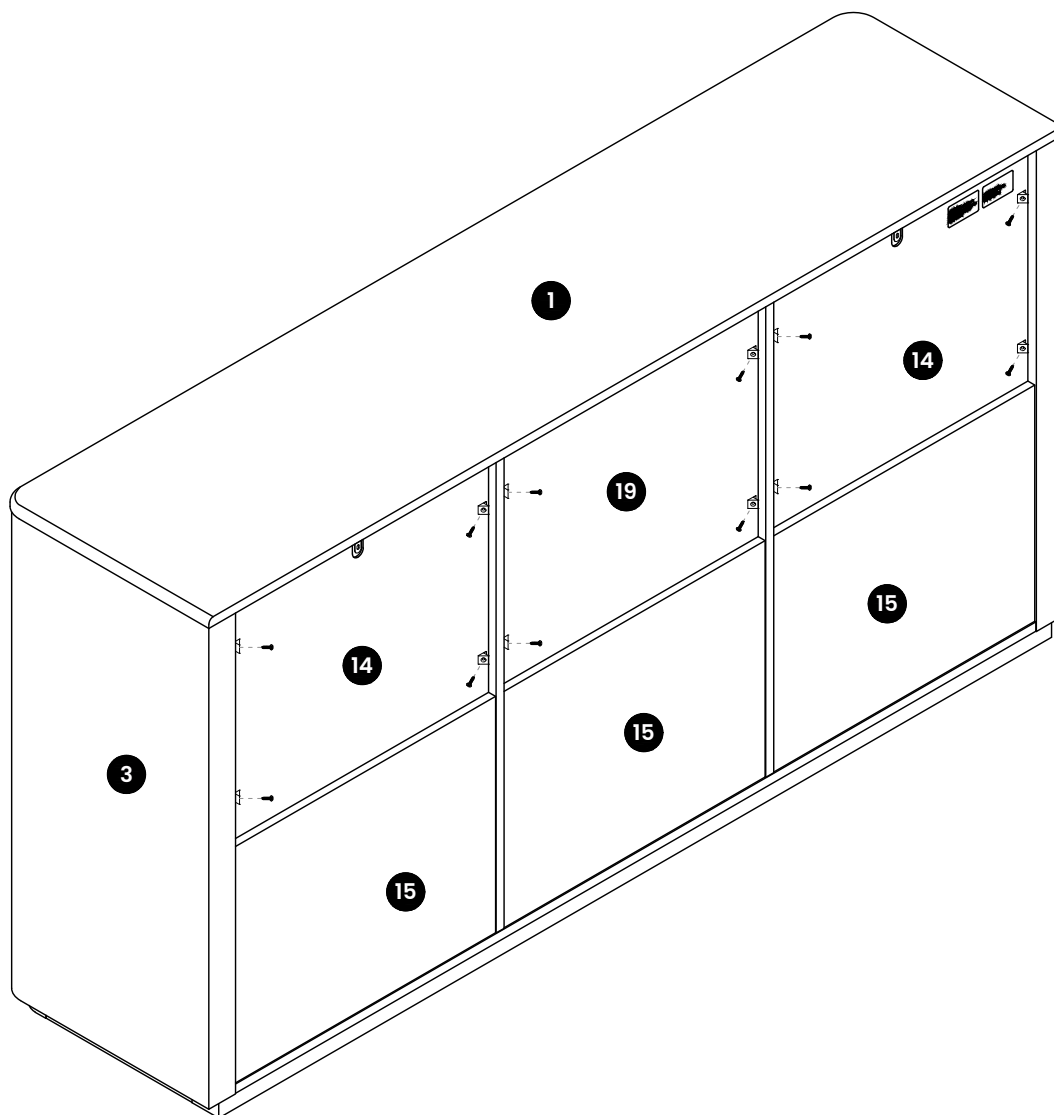


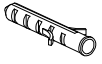
A X8



D X8



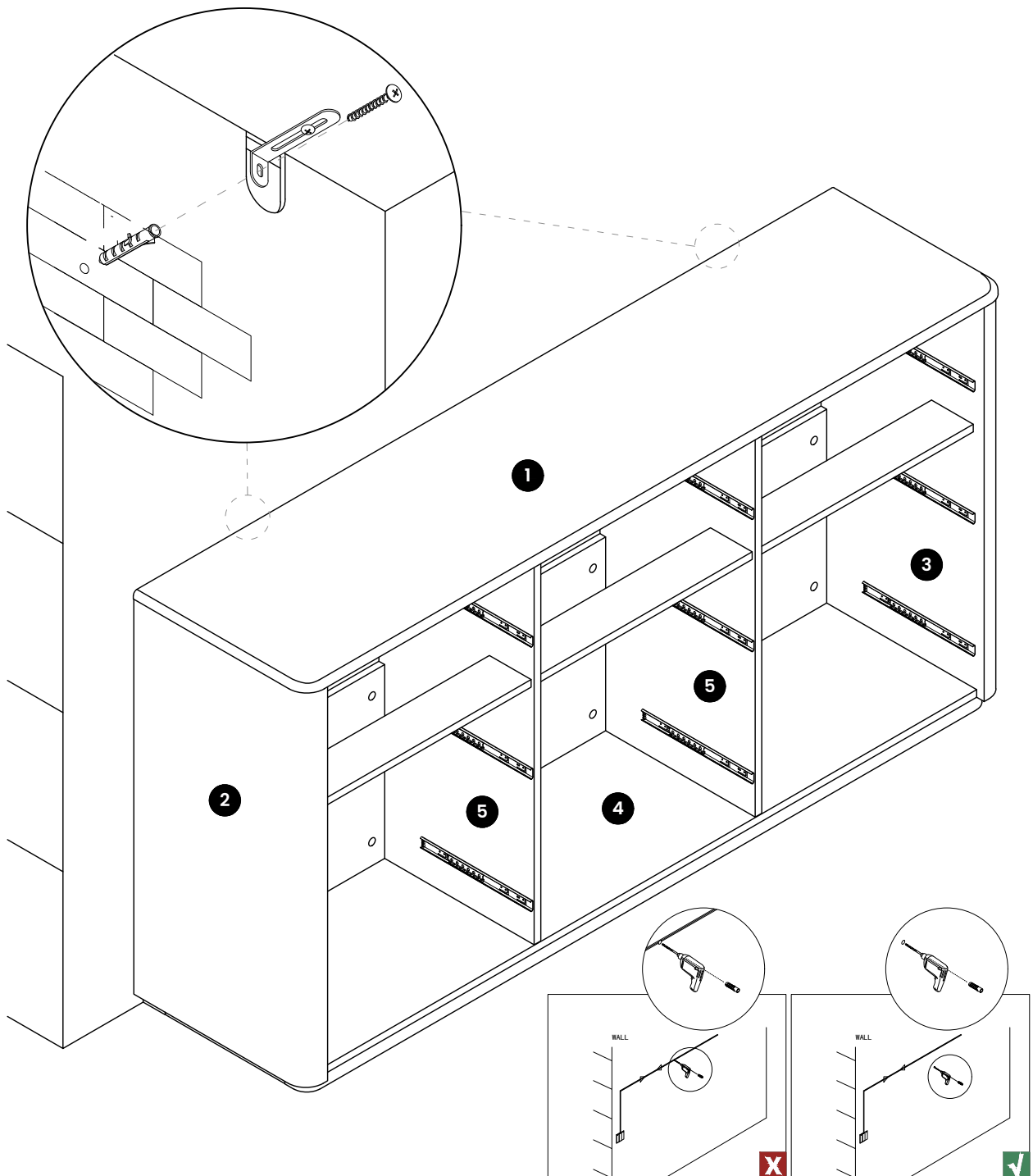
STEP 16**K** X12**L** X12

STEP 17**H** X2**J** X2**Wall-Mounted Installation**

Step 1: Identify the correct location for the anti-tipping device on the wall and make a clear mark.

Step 2: Drill a hole, then fix the expansion plug firmly in the wall.

Step 3: Use screws to attach the L-shaped angle bracket to the wall.

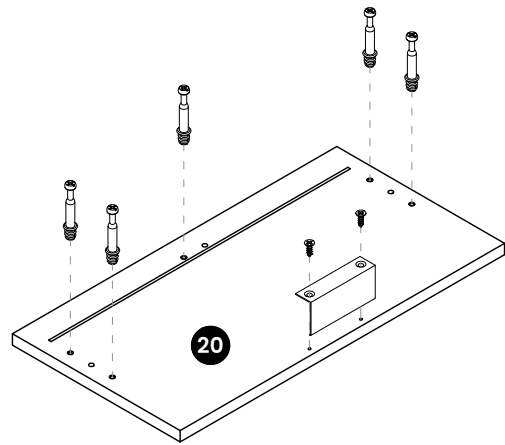
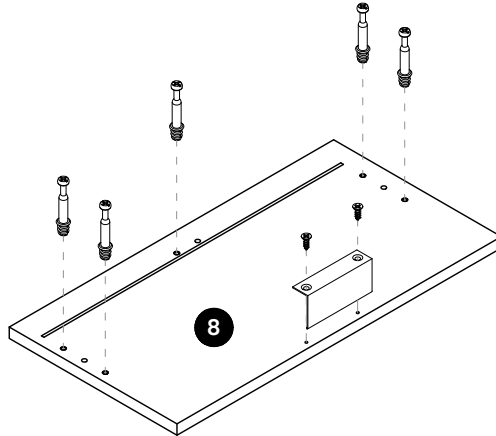
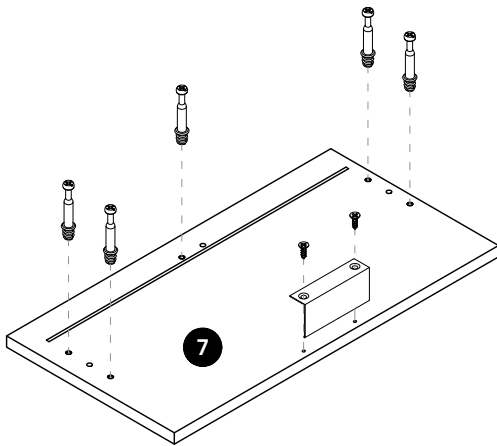


STEP 18

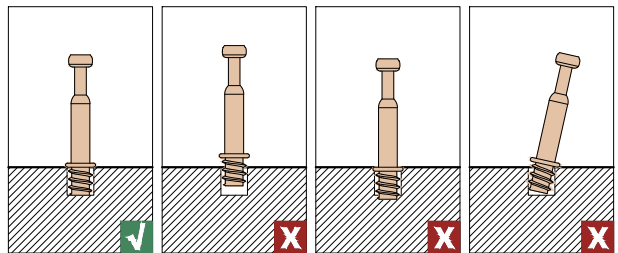
 **B** X45

 **M** X18

 **O** X9




x3

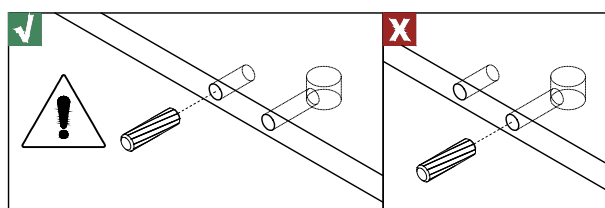
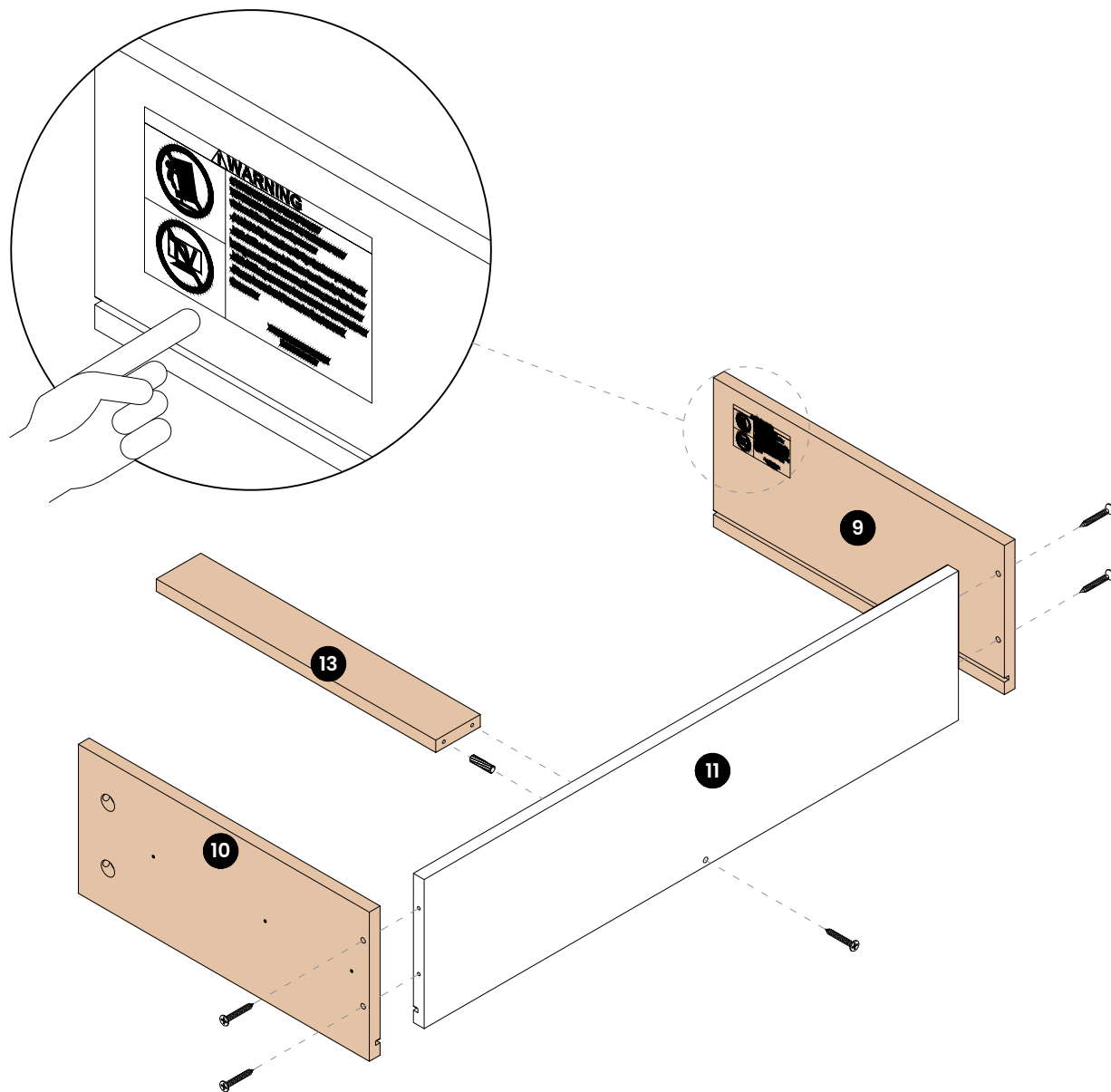


Install the screw correctly to secure the screw.

STEP 19

 **E** X5

 **C** X1



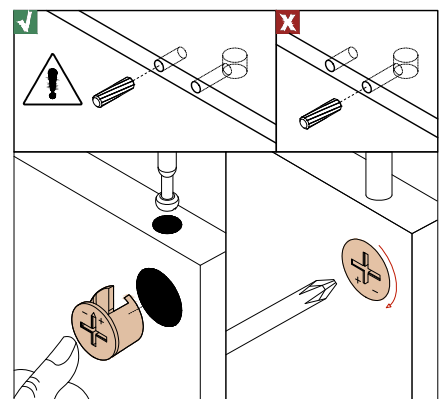
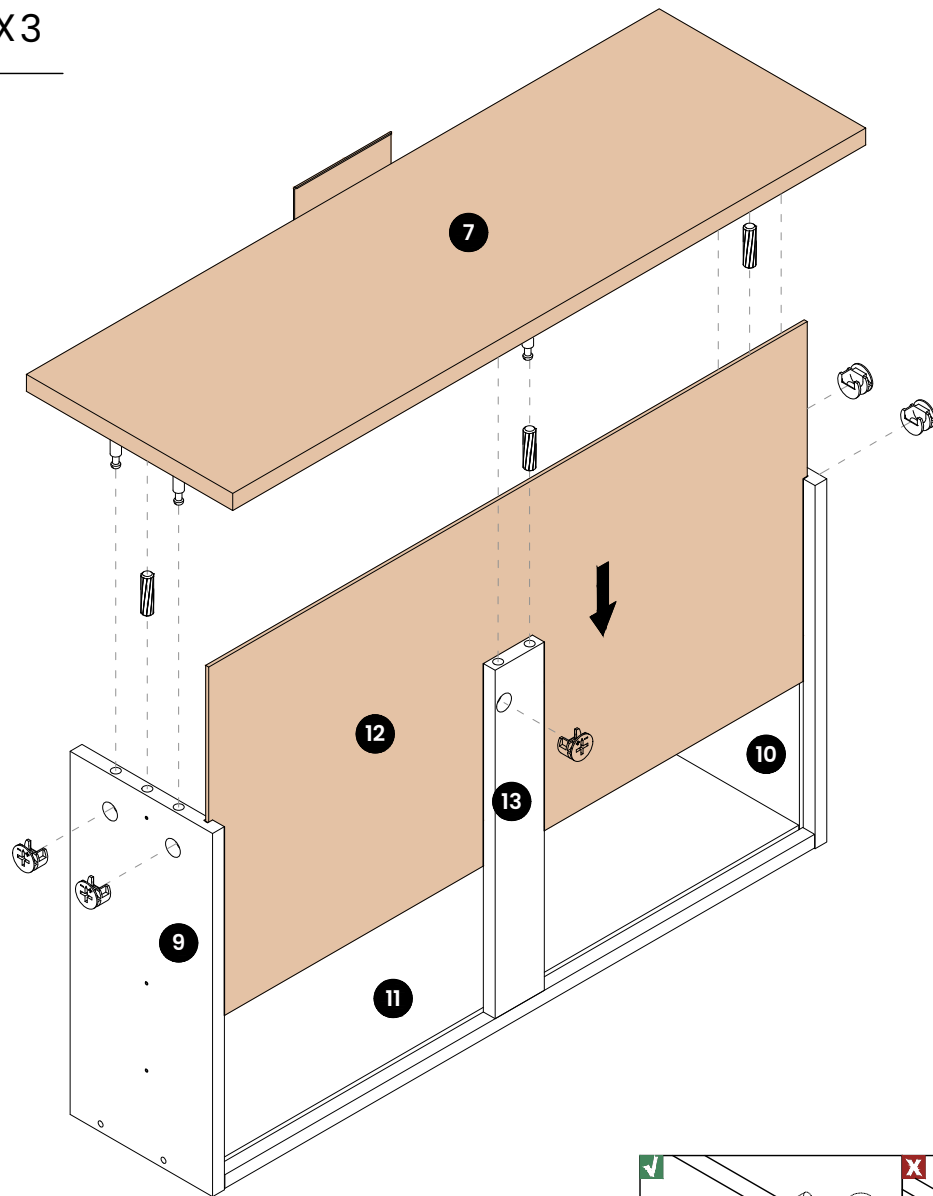
STEP 20



A X5



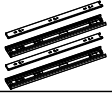
C X3



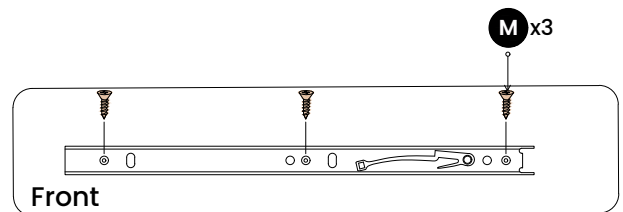
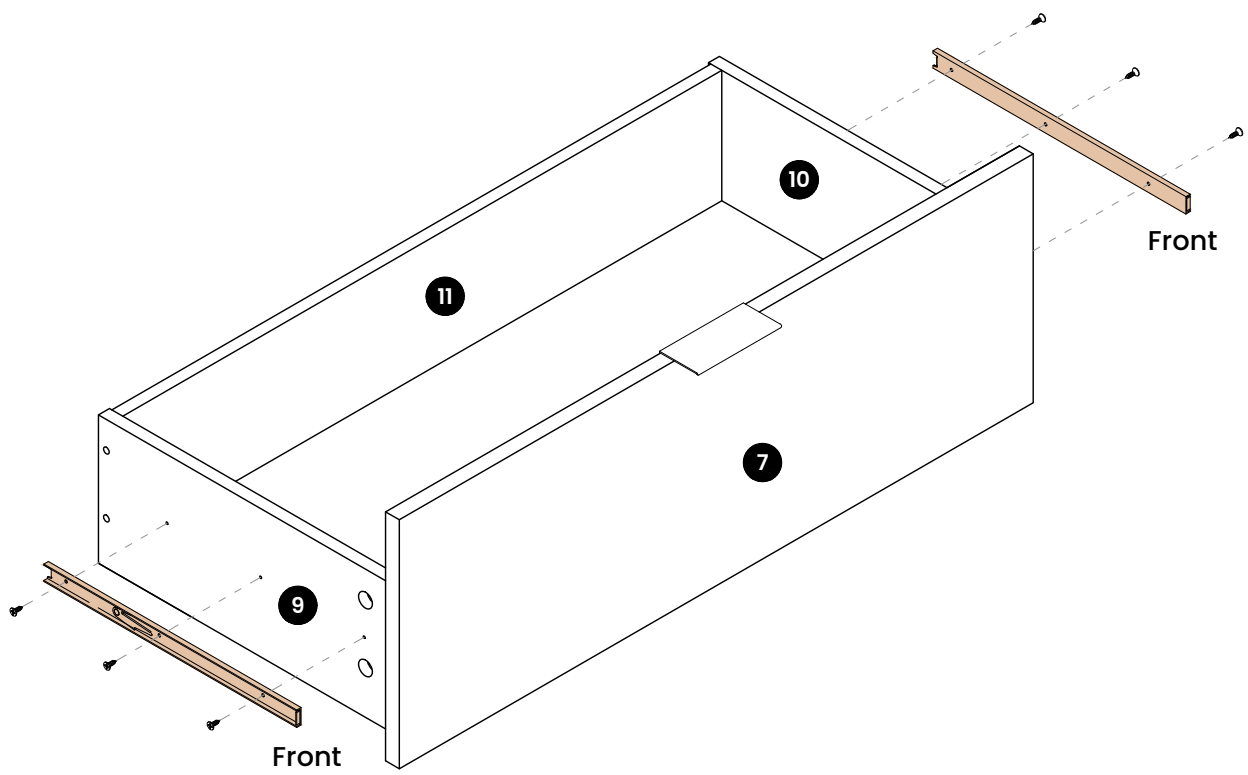
STEP 21



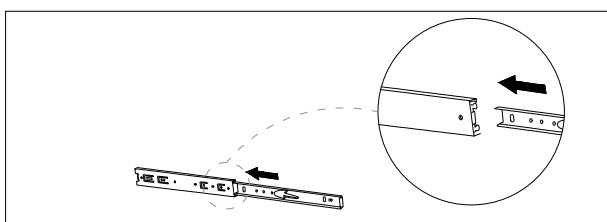
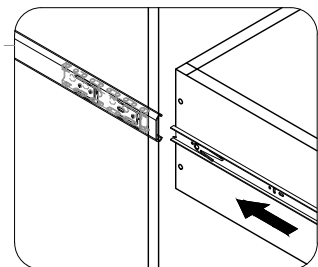
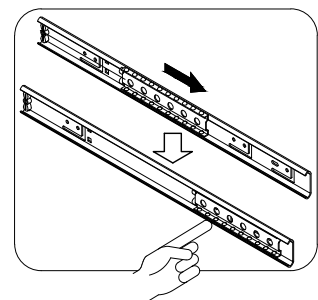
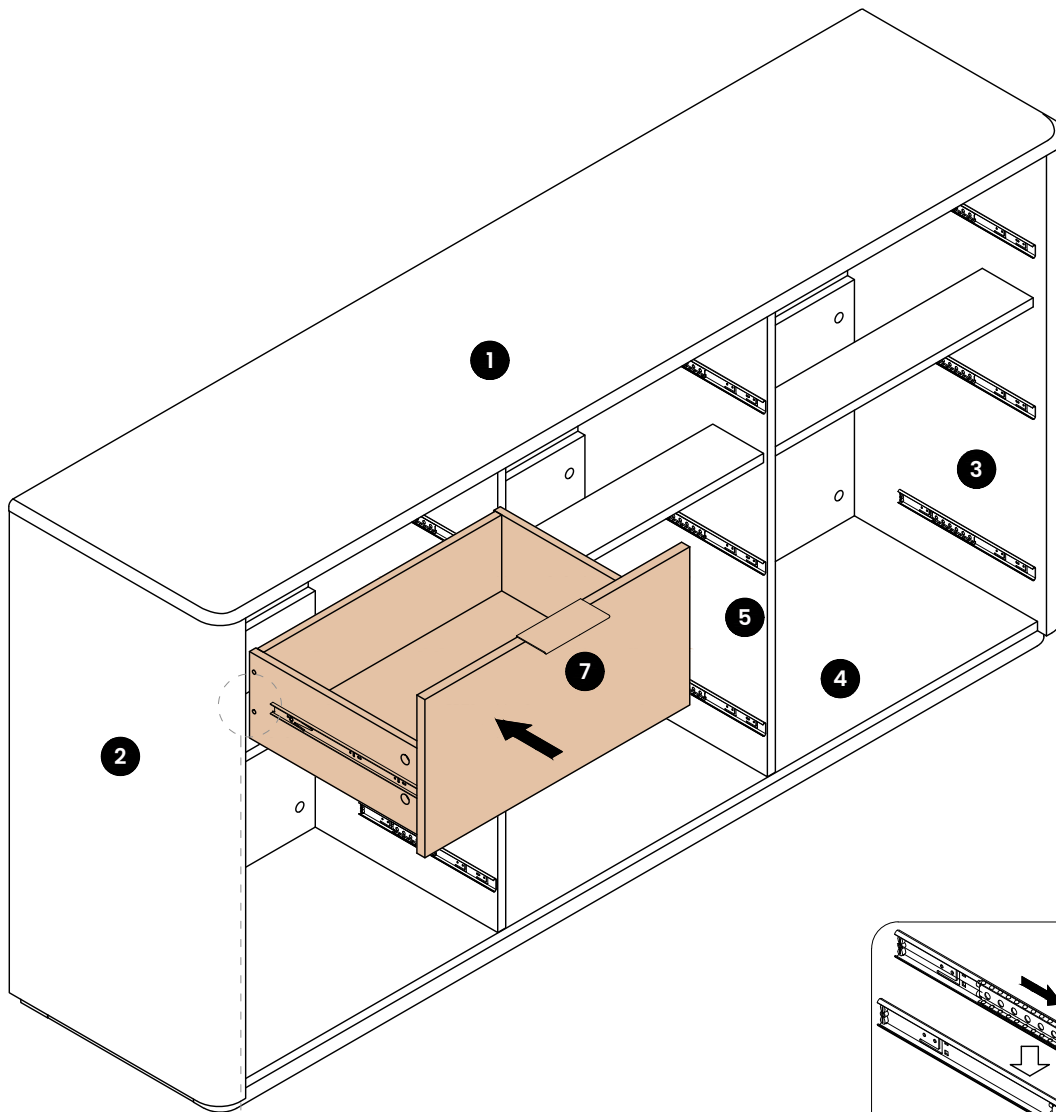
M X6



N X1



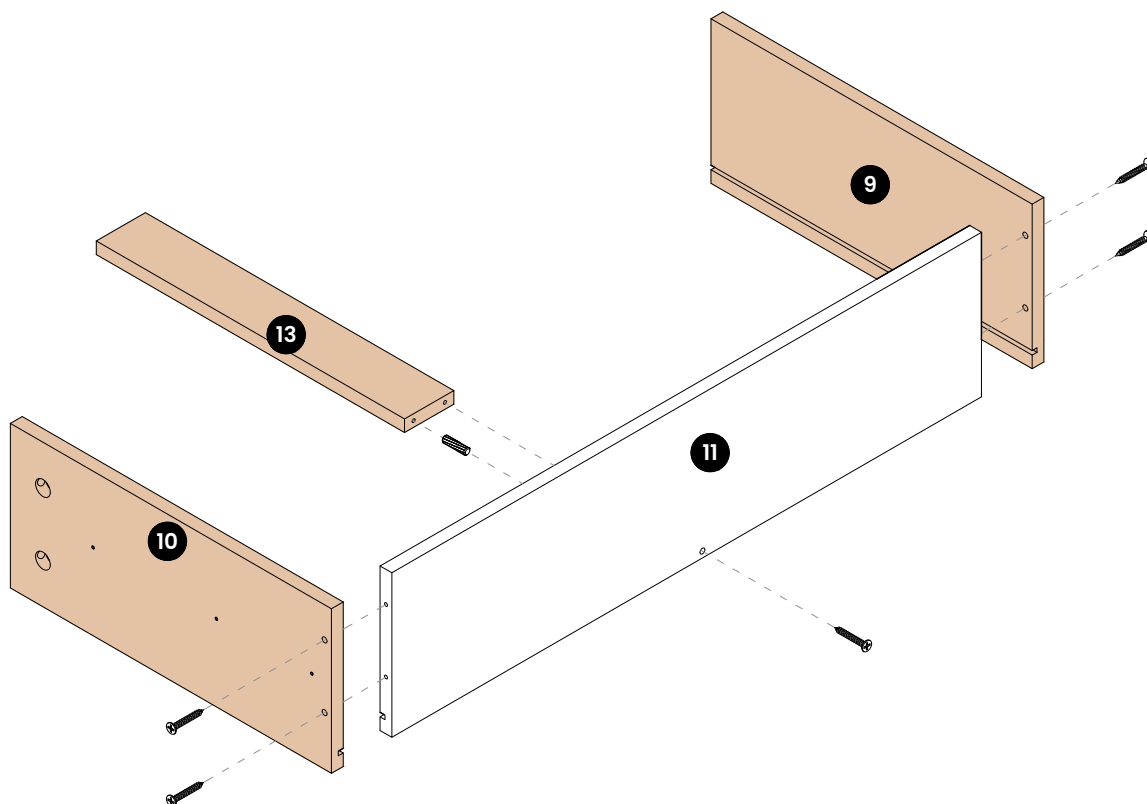
! Pay attention to the position of the screws

STEP 22

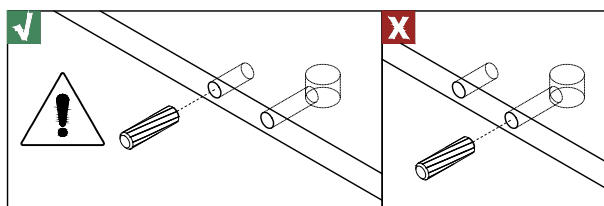
STEP 23

 **E** X40

 **C** X8



x8



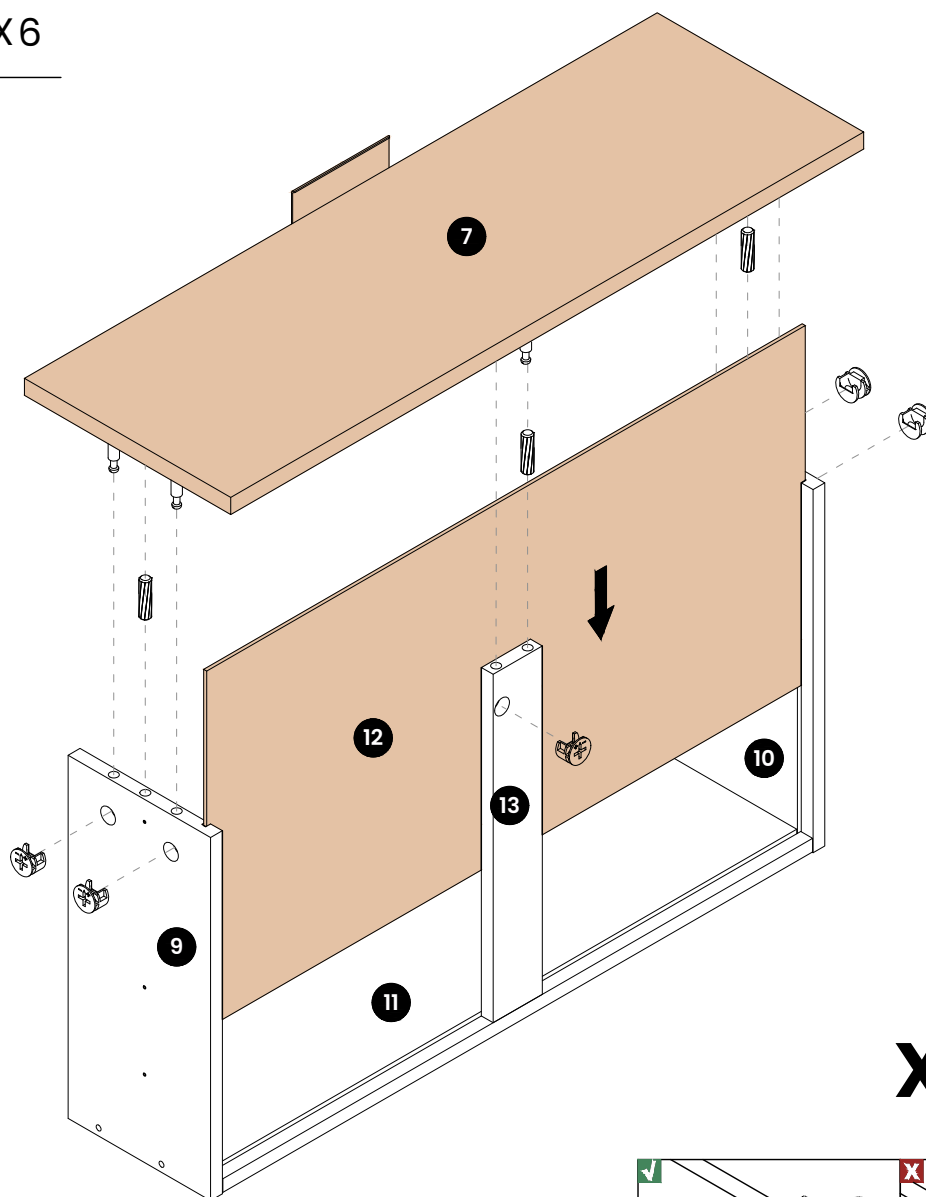
STEP 24



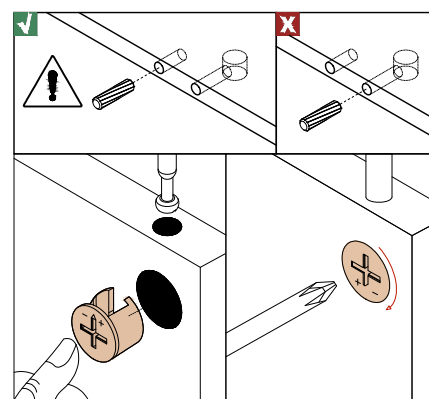
A X10



C X6



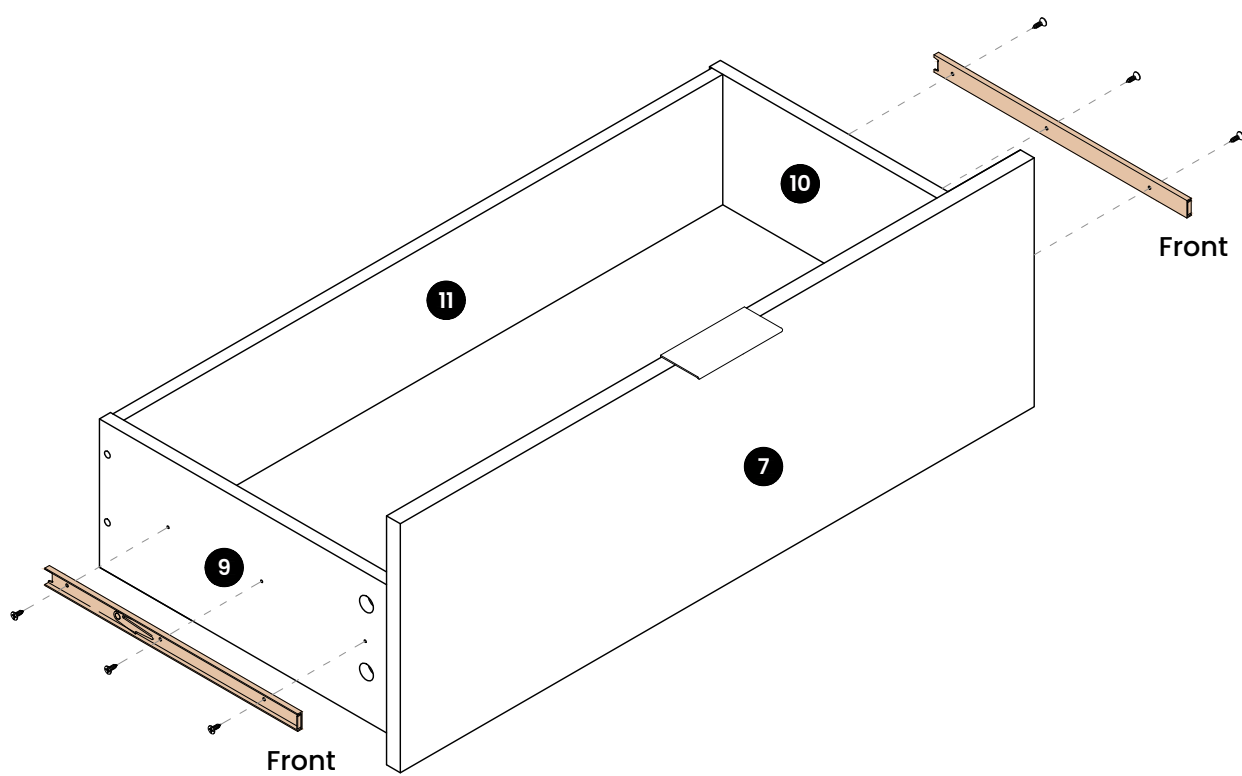
x2



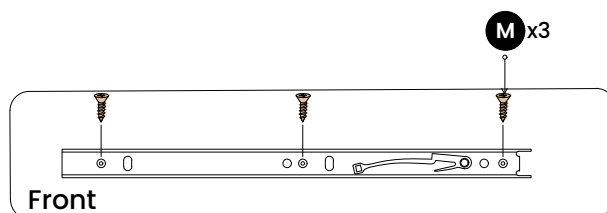
STEP 25


 **M** X12

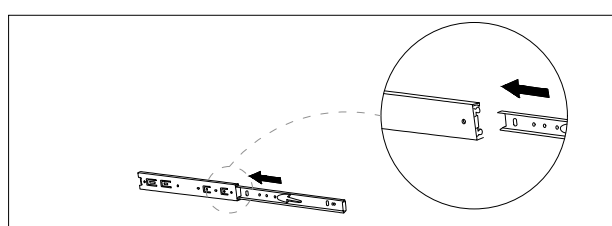
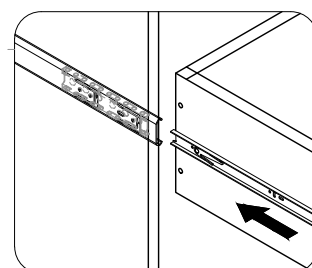
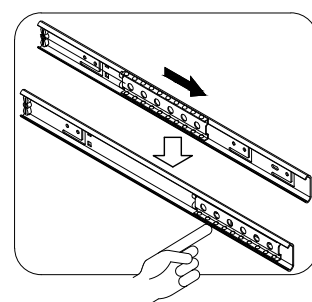
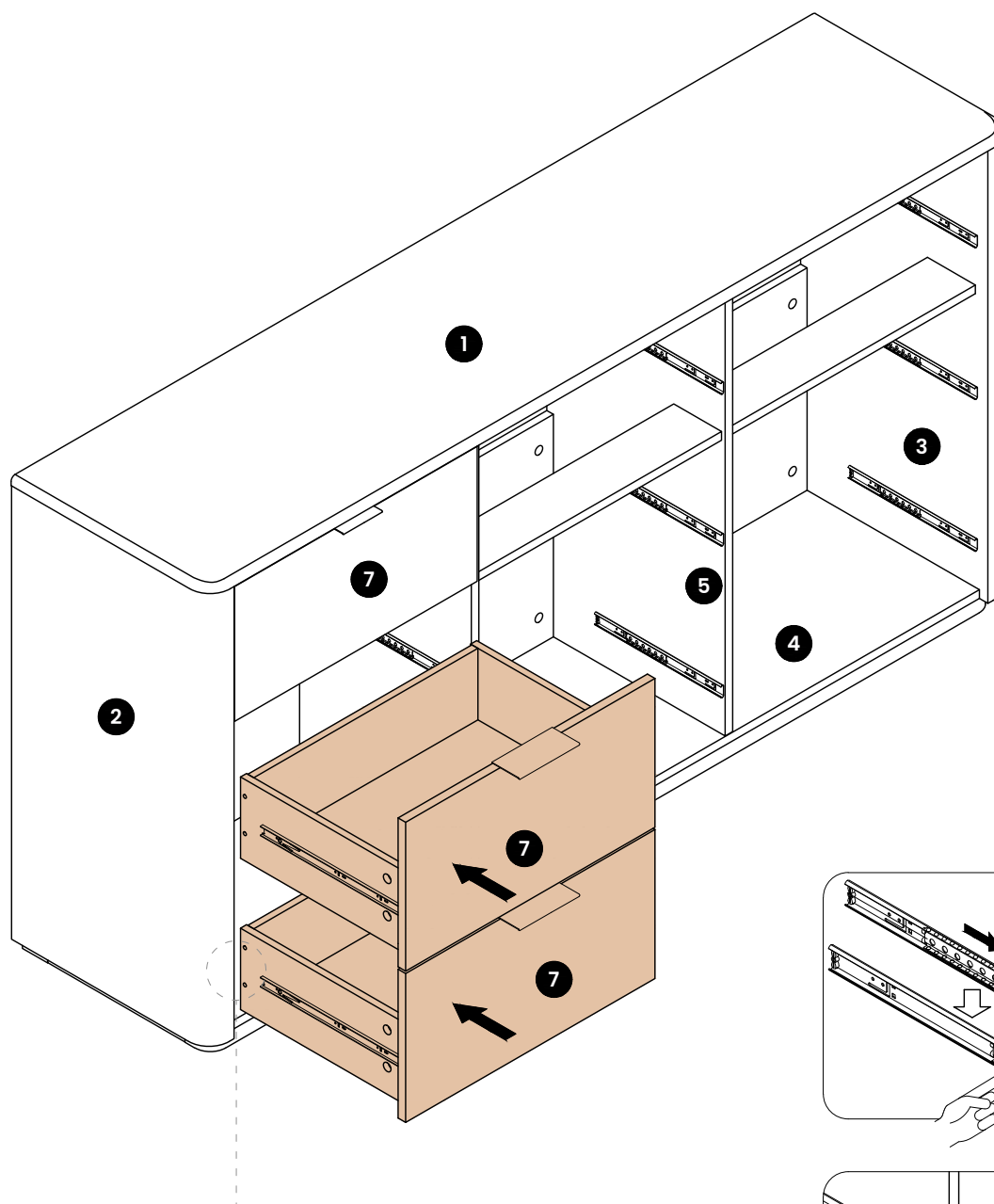
 **N** X2



x2



 Pay attention to the position of the screws

STEP 26

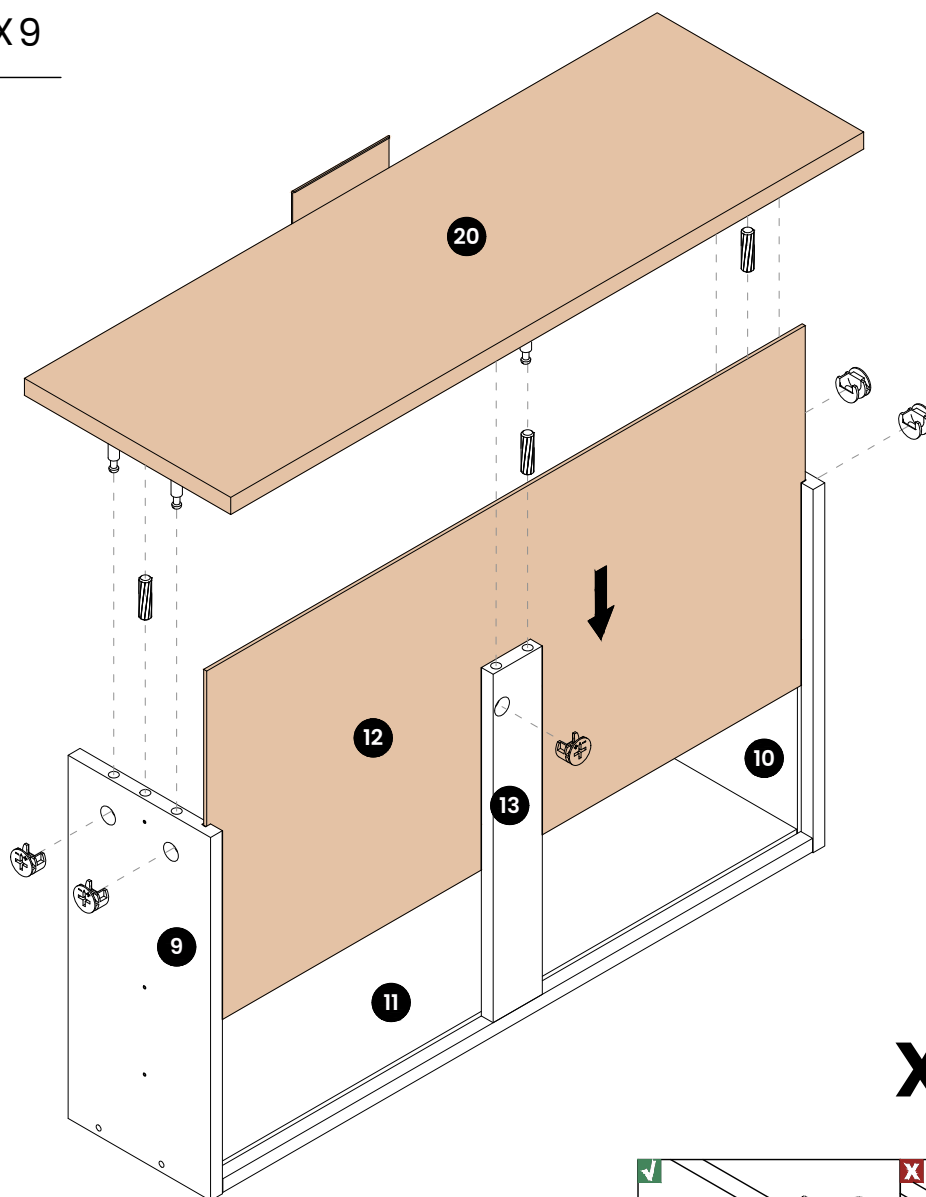
STEP 27



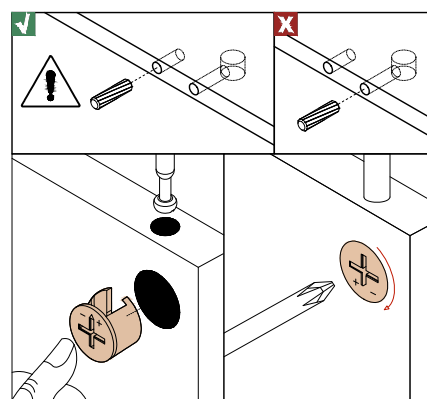
A X15



C X9



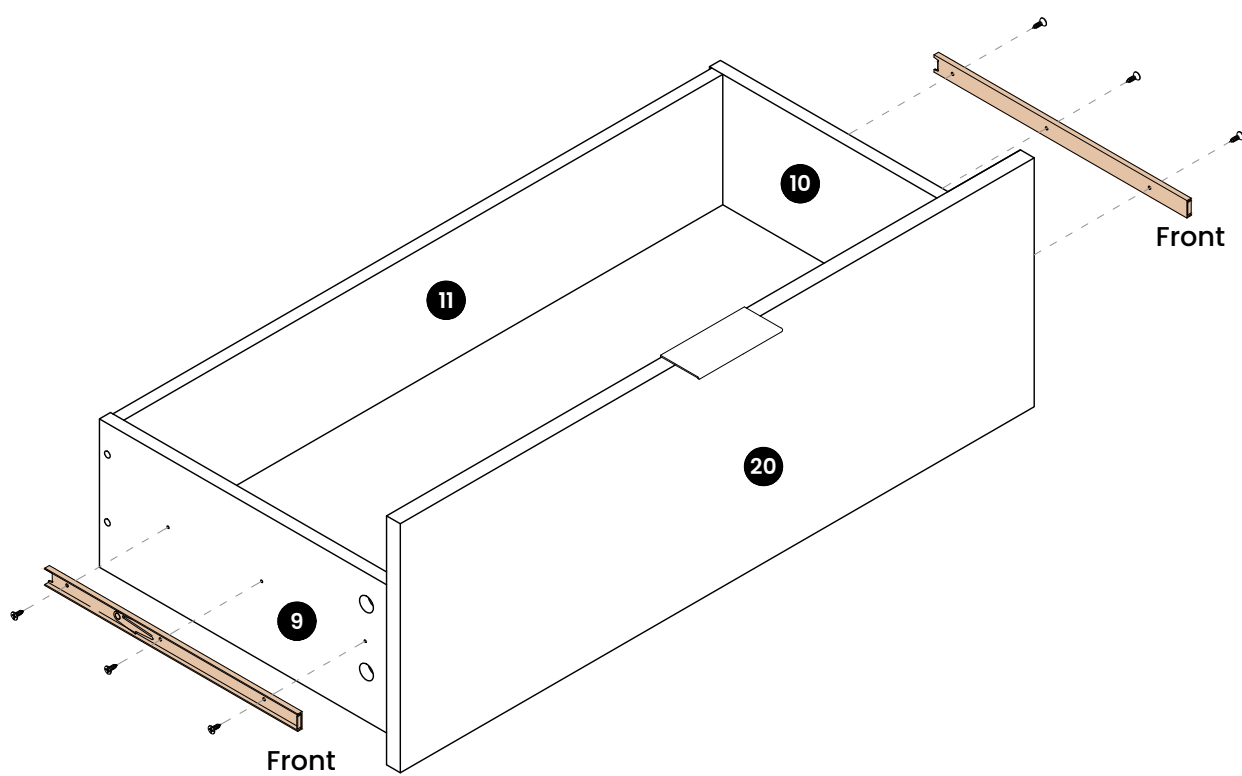
x3



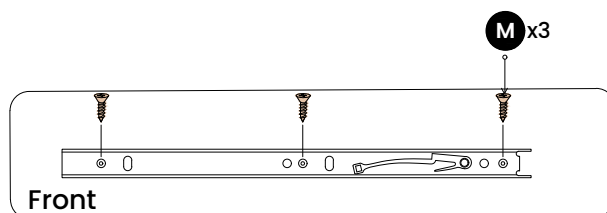
STEP 28


 **M** X18

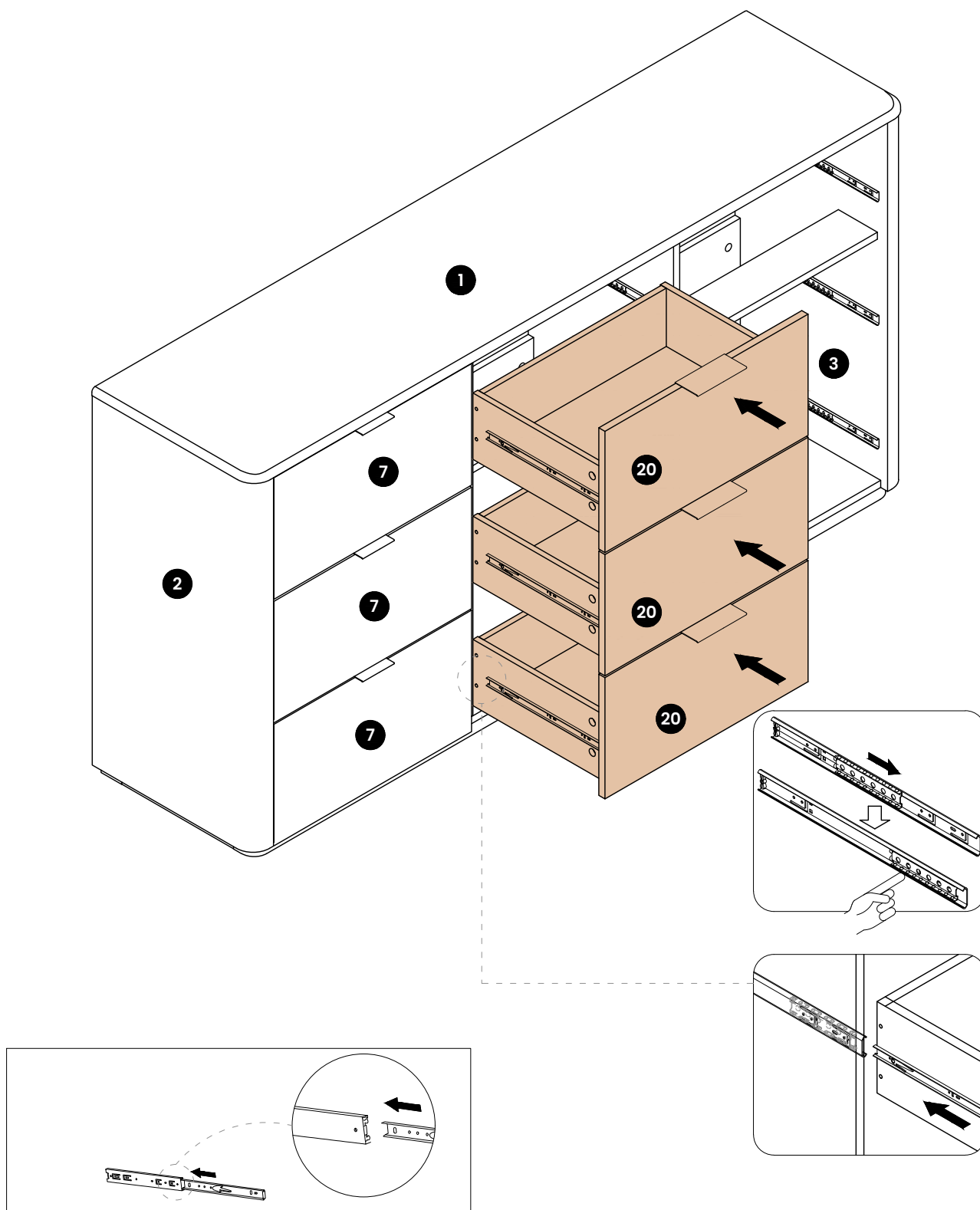
 **N** X3



x3



 Pay attention to the position of the screws

STEP 29

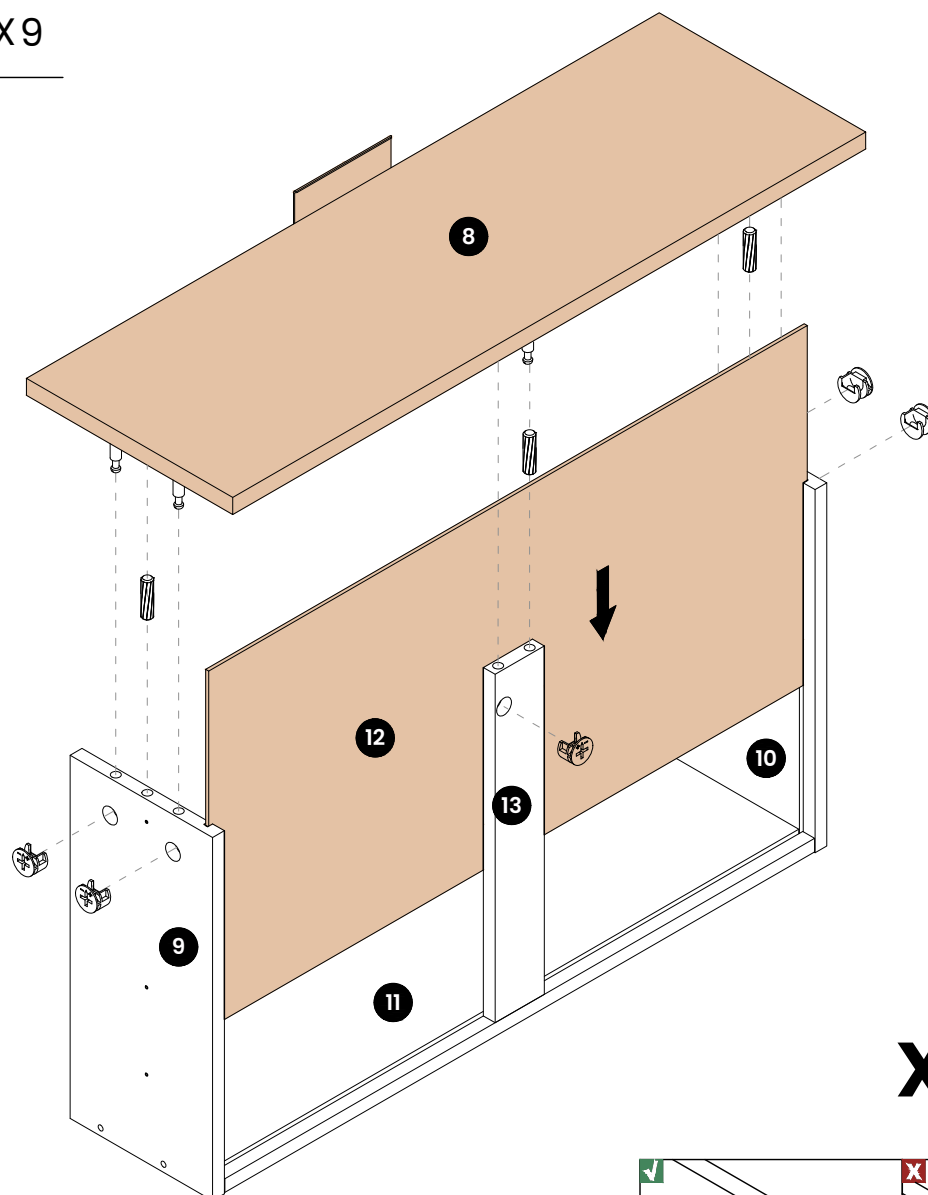
STEP 30



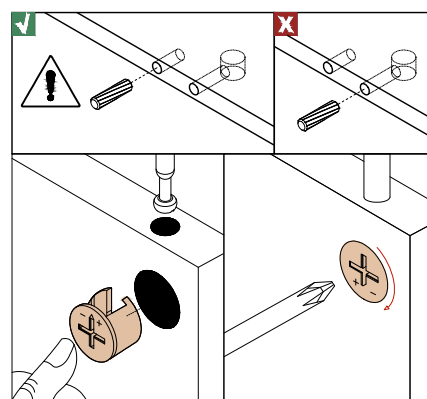
A X15



C X9



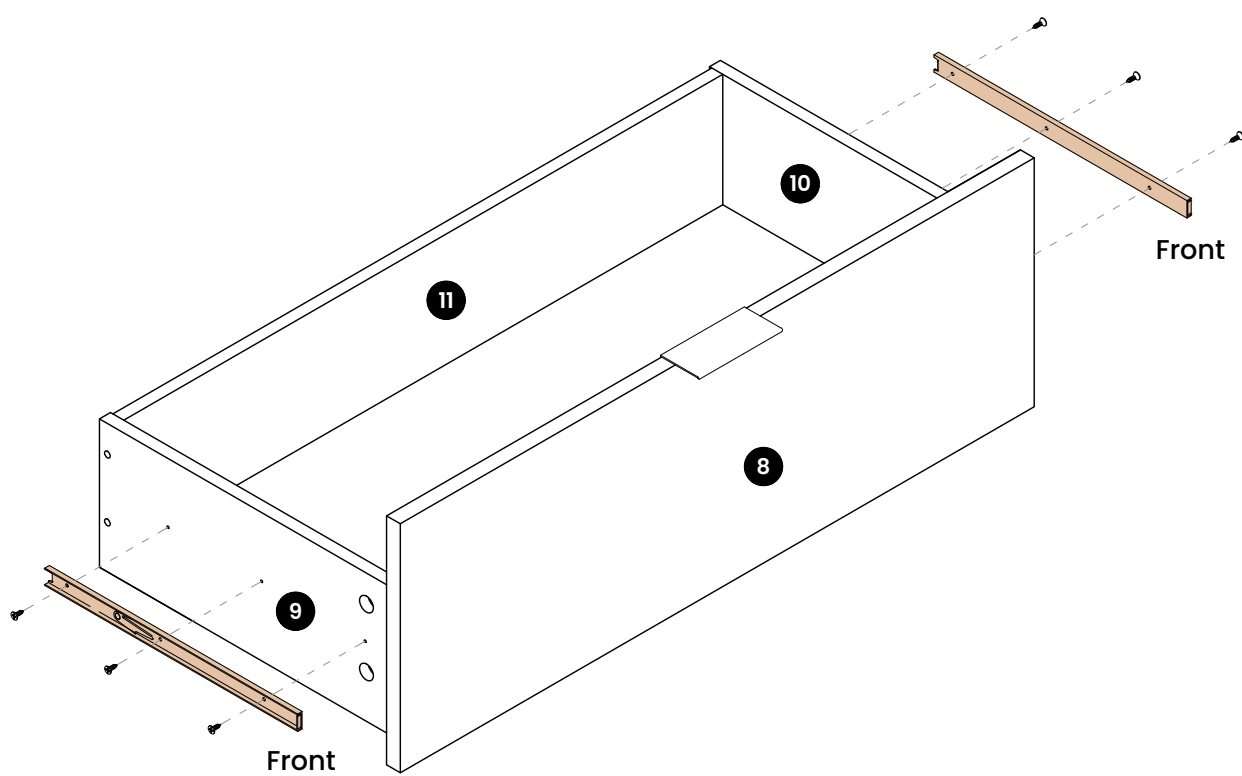
x3



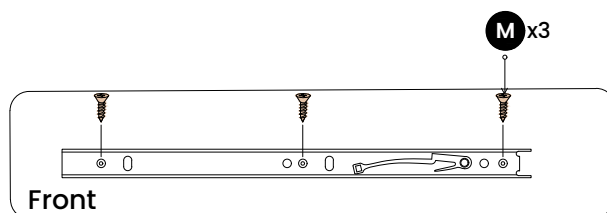
STEP 31


 **M** X18

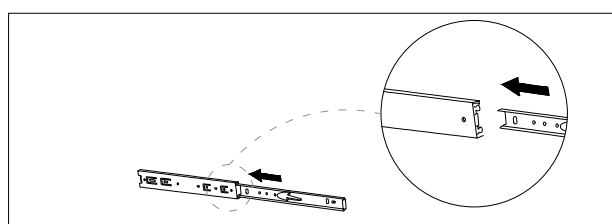
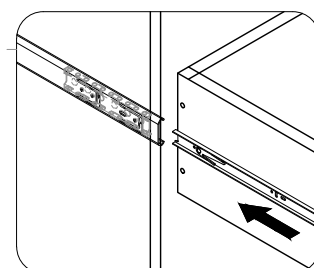
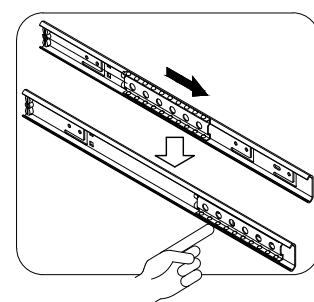
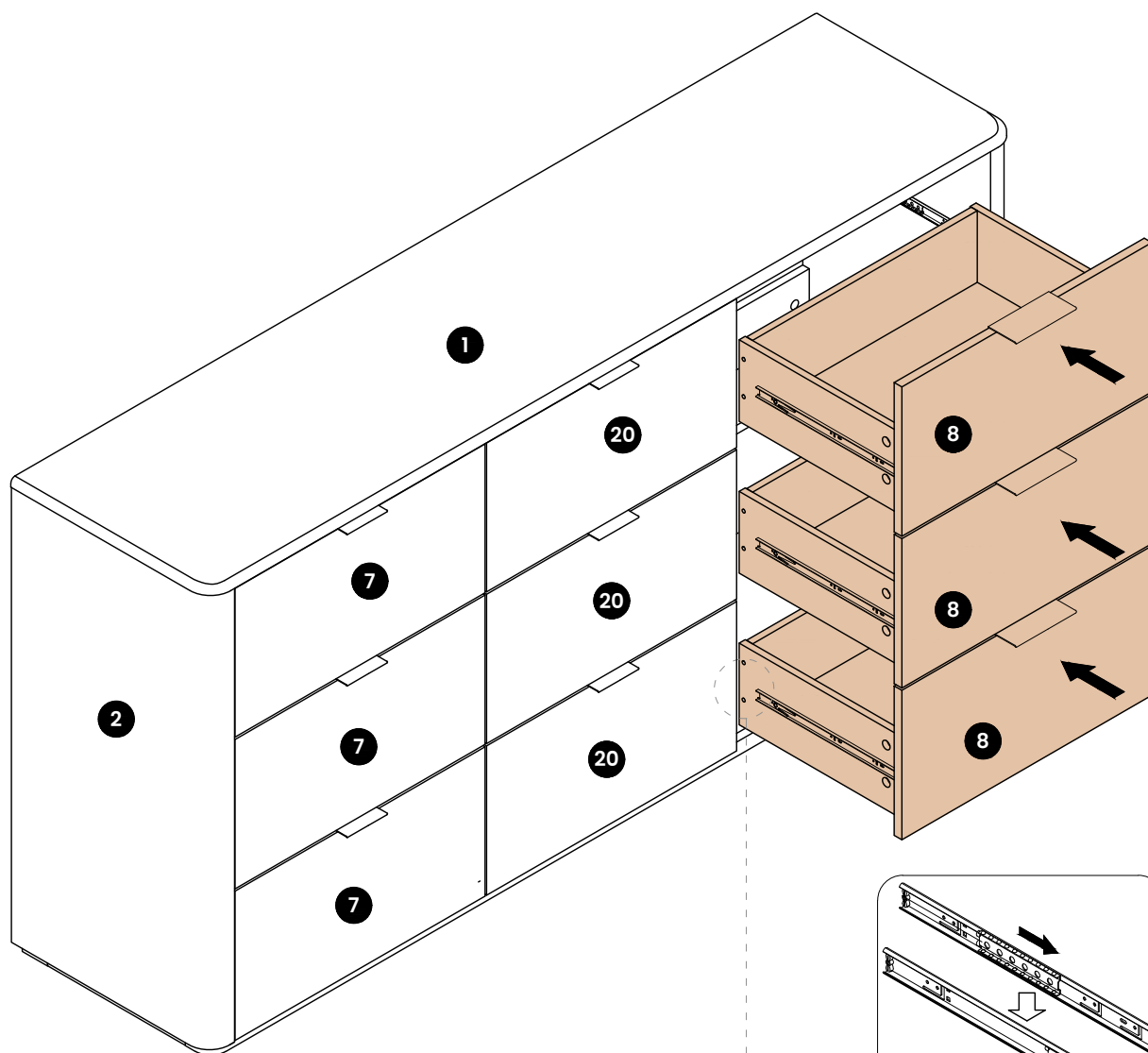
 **N** X3



x3



 Pay attention to the position of the screws

STEP 32



After-Sales Service Hotline: (800) 661-5928