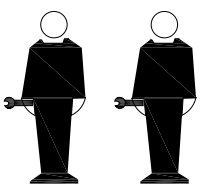
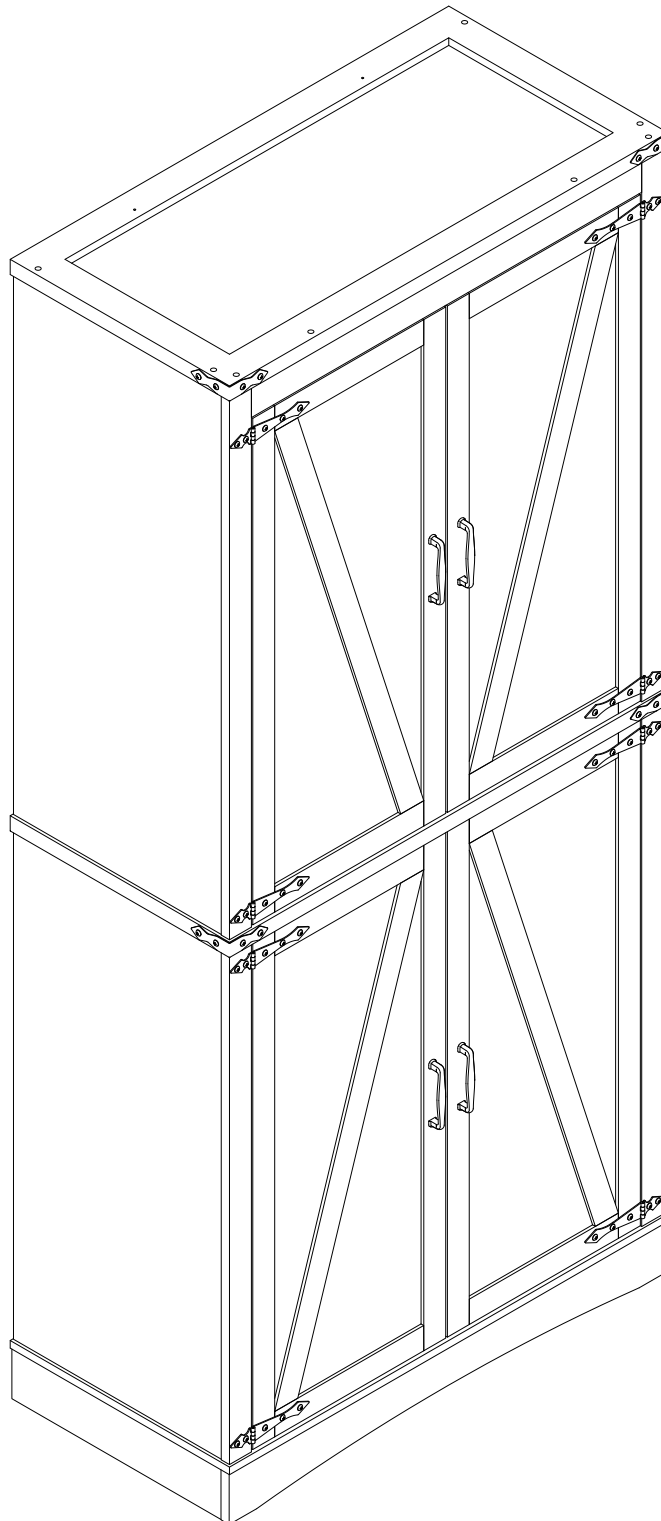
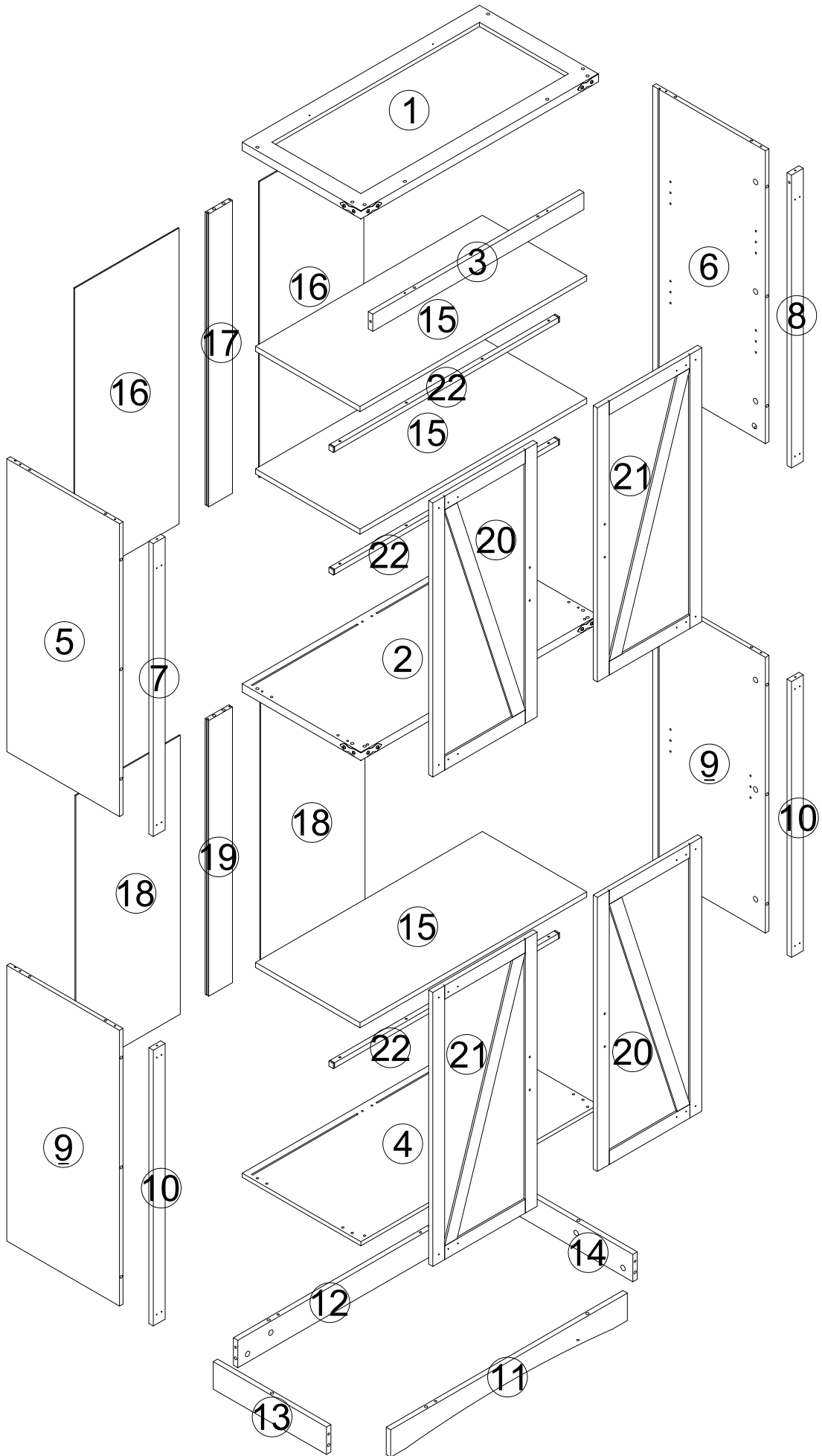


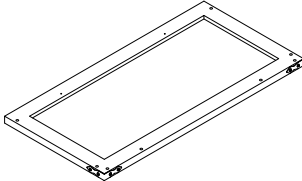
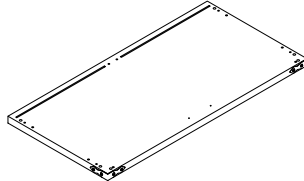
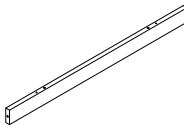
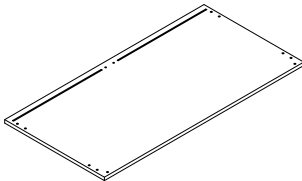
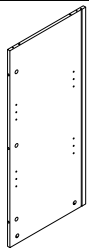
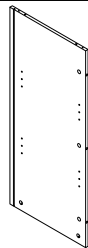


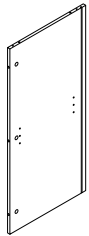

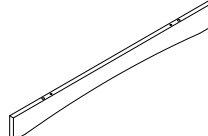
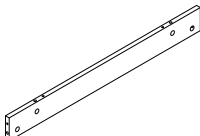
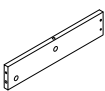
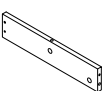
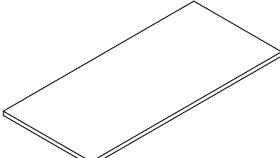
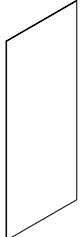



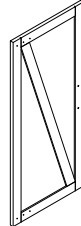
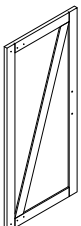
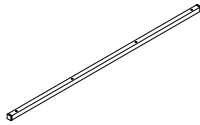
DJ0489

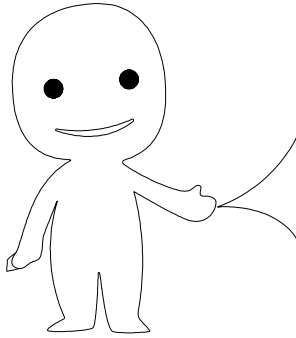


For convenience and safety, we recommend two people to assemble.
If you have any questions, please contact our customer service.

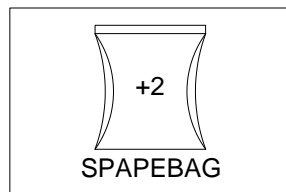
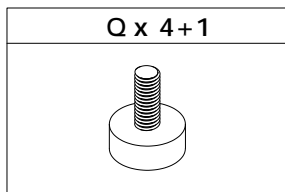
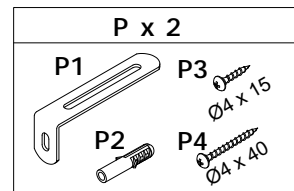
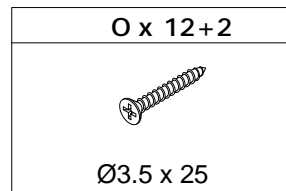
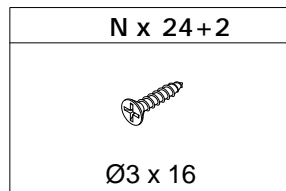
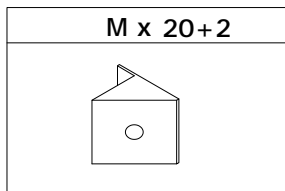
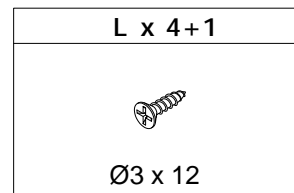
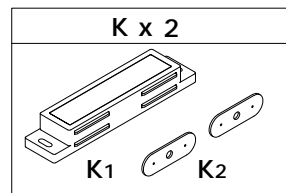
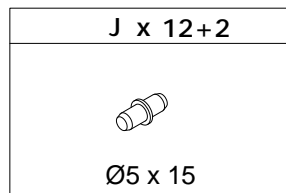
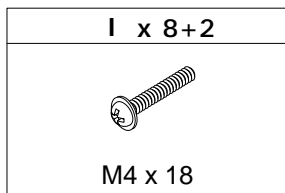
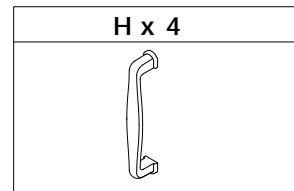
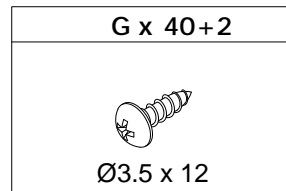
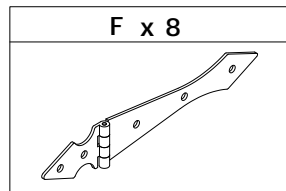
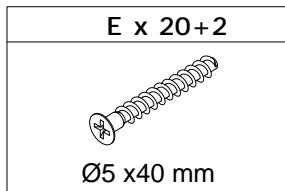
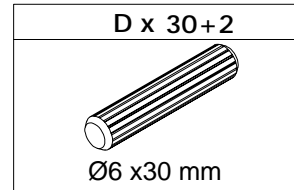
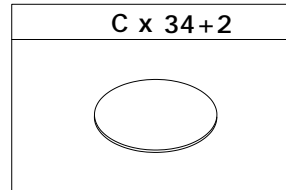
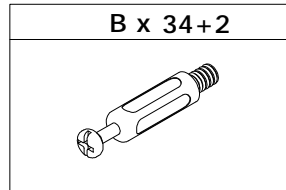
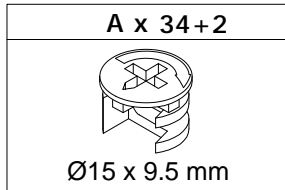
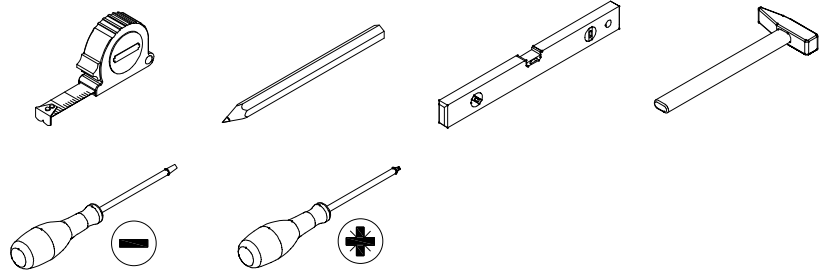


PARTS LIST

			
①X1	②X1	③X1	④X1
			
⑤X1	⑥X1	⑦X1	⑧X1
			
⑨X2	⑩X2	⑪X1	⑫X1
			
⑬X1	⑭X1	⑮X3	⑯X2
			
⑰X1	⑱X2	⑲X1	⑳X2
			
㉑X2	㉒X3		



Please prepare the following tools



Tips: The number after "+" represents the spare hardware.

IMPORTANT NOTES:

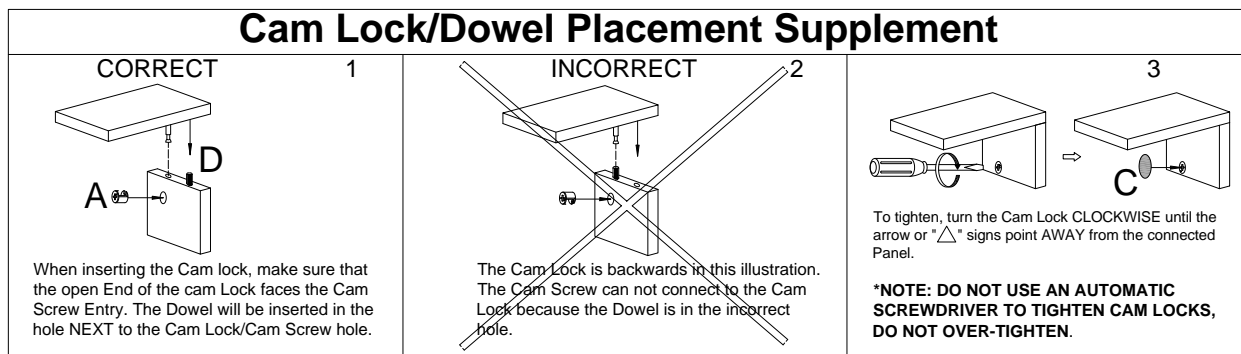
The item you are purchasing is a large furniture product that requires a large number of components to assemble.

Please take all parts boxes out of the packaging and place them in order. So that you can follow the steps in the installation manual to find the corresponding parts box and quantity of need when installing. Please do not take too many parts to prevent the parts from scattering.

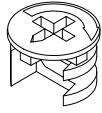
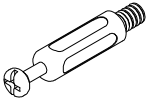
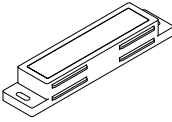

Please be patient and follow the instructions step by step for installation. If you have any problems during the installation process, you can ask our customer service to help you solve them!

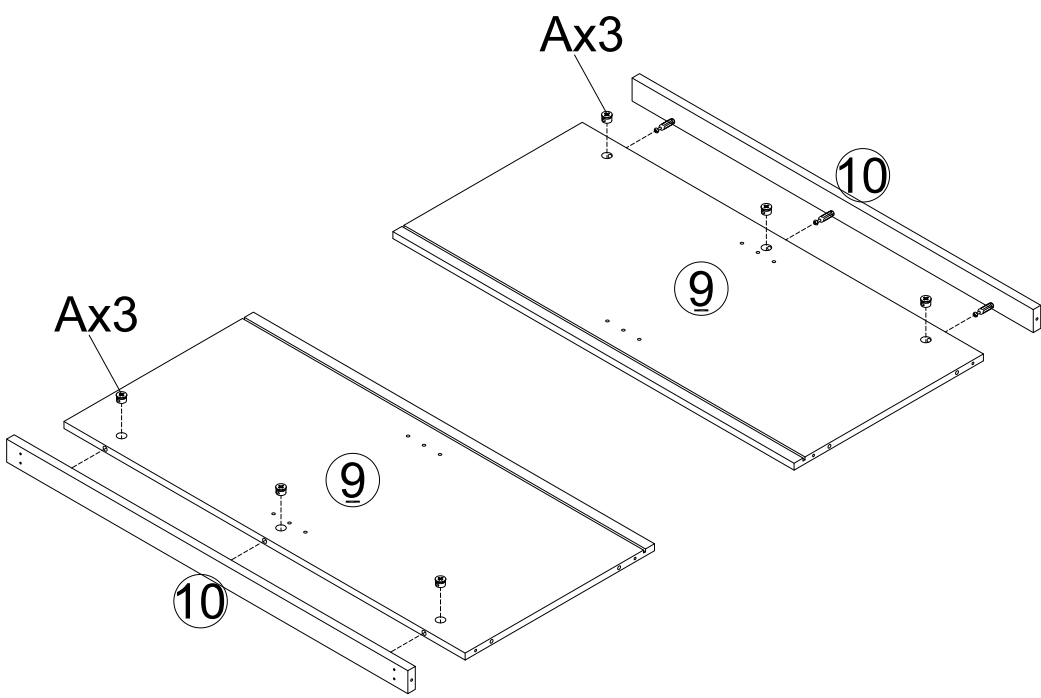
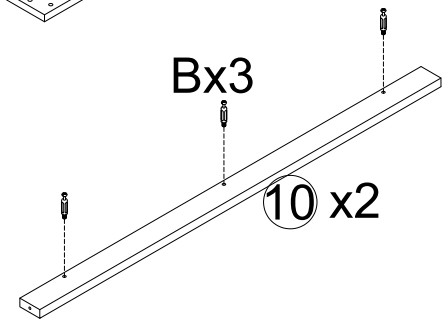
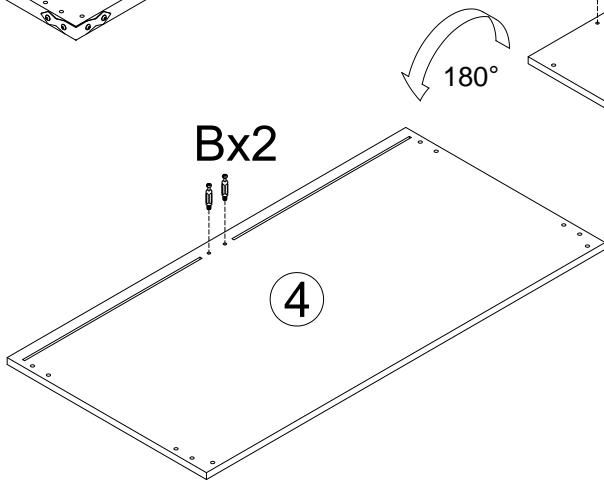
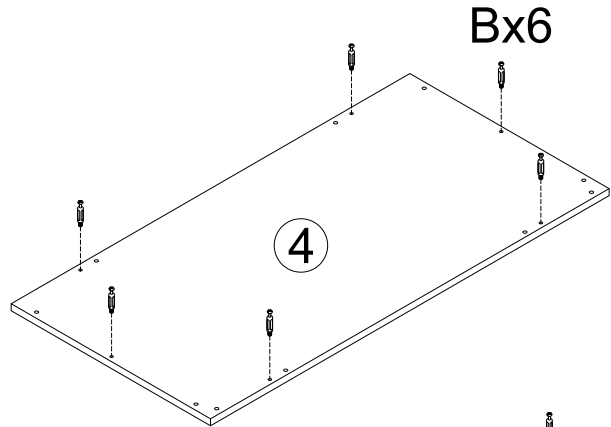
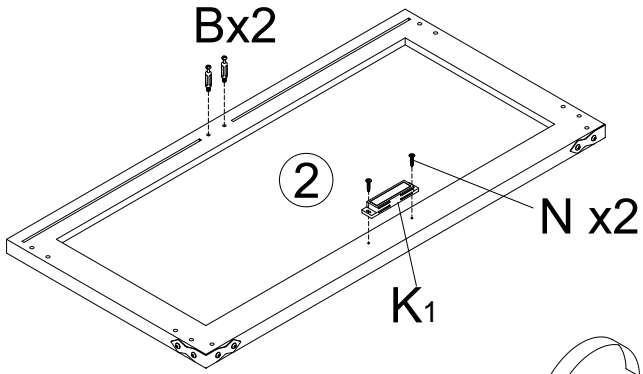
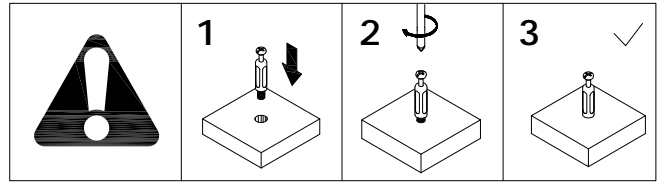
SAFETY TIPS:

Static charge may cause dust on foam – clean with a dry or damp cloth. Small foam strands may be present – handle gently and dispose of properly. Do not burn or incinerate. Check local recycling guidelines.

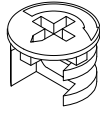
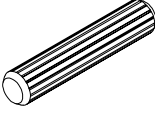
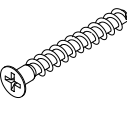


1

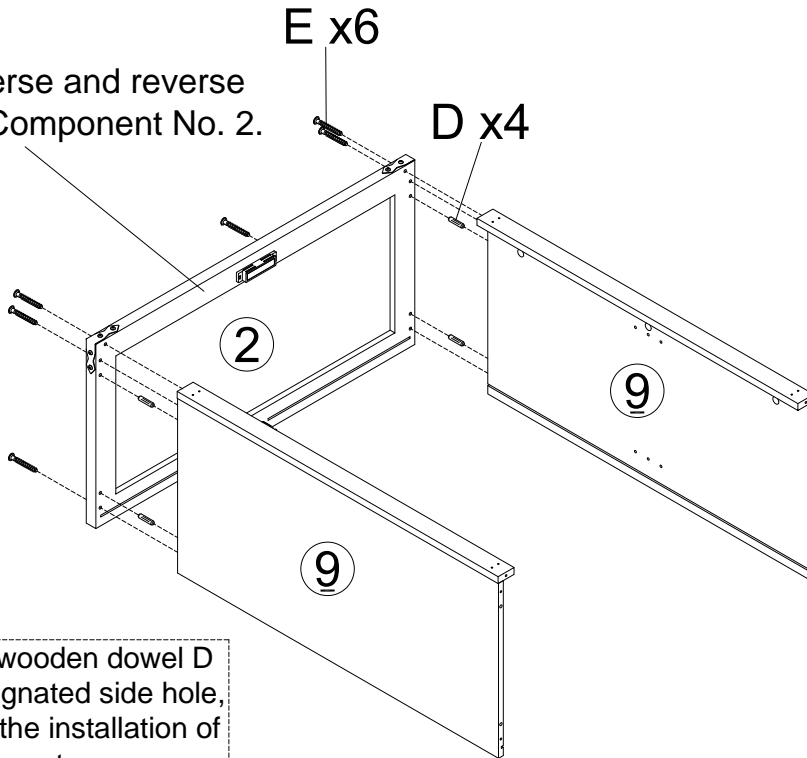
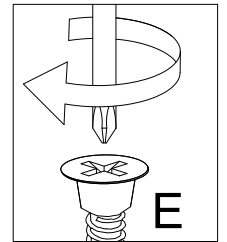
A x 6 	B x 16 	K1 x 1 	N x 2 	
---	--	--	--	--



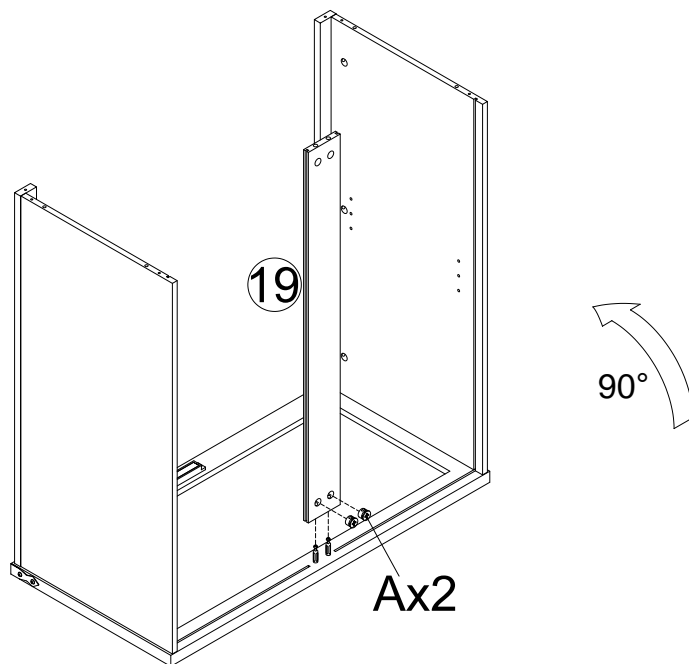
2

A x 2 	D x 4 	E x 6 	
--	--	--	--

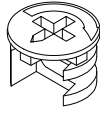
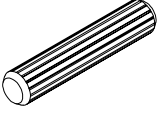
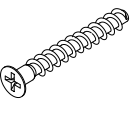
Notice the obverse and reverse sides of Plate Component No. 2.

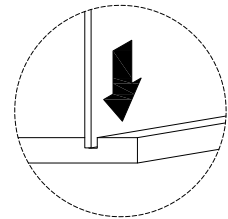
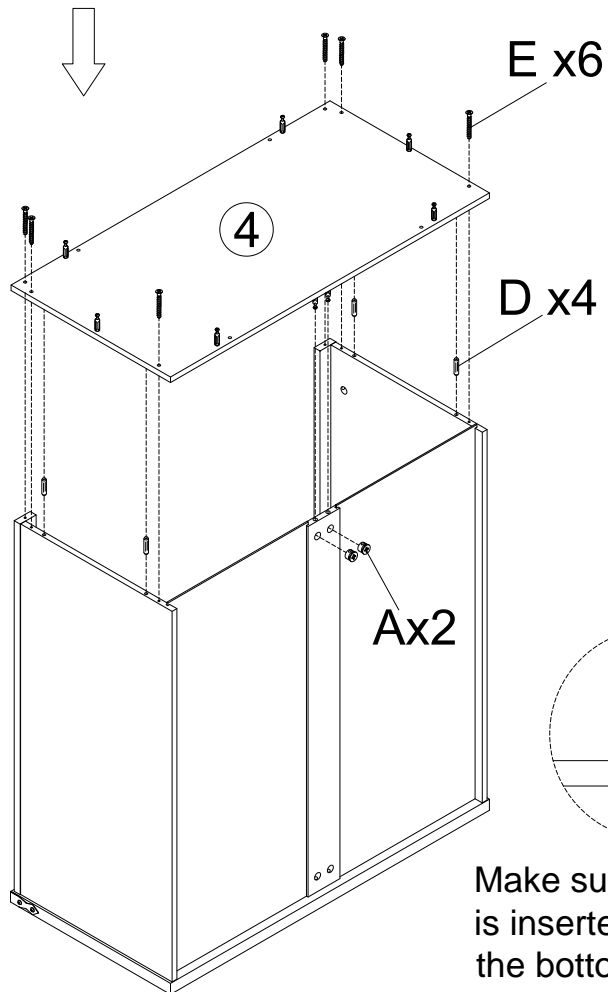
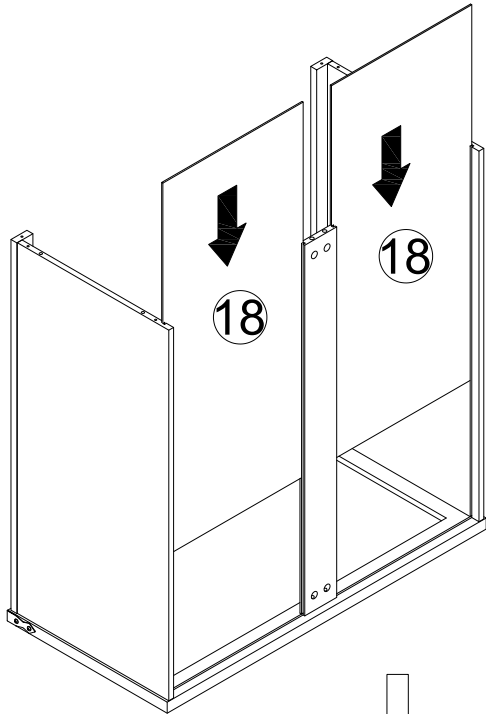


First, insert wooden dowel D into the designated side hole, followed by the installation of other components.



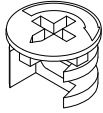
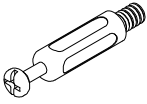
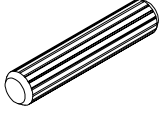
3

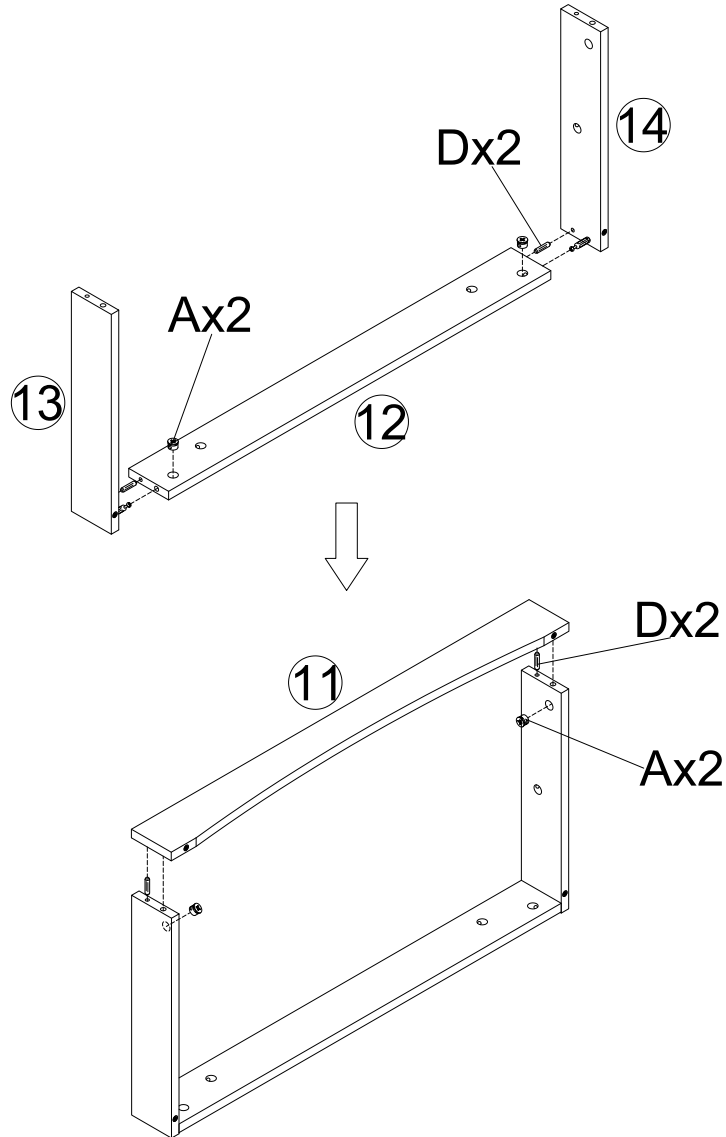
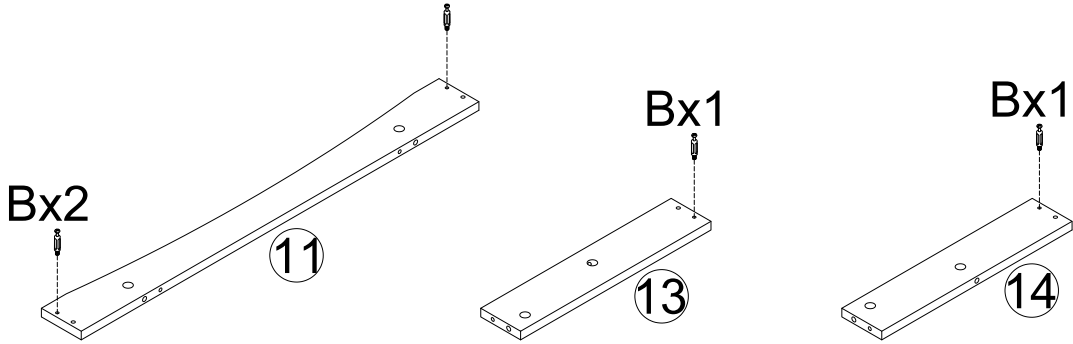
A x 2 	D x 4 	E x 6 	
--	--	--	--



Make sure the back panel is inserted into the slot of the bottom panel before installing the cover plate.

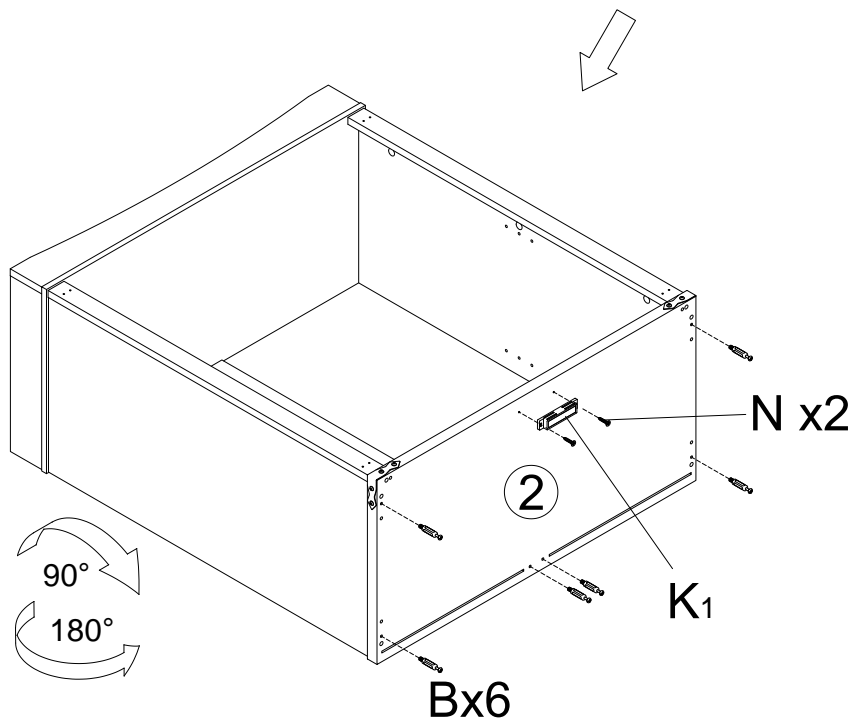
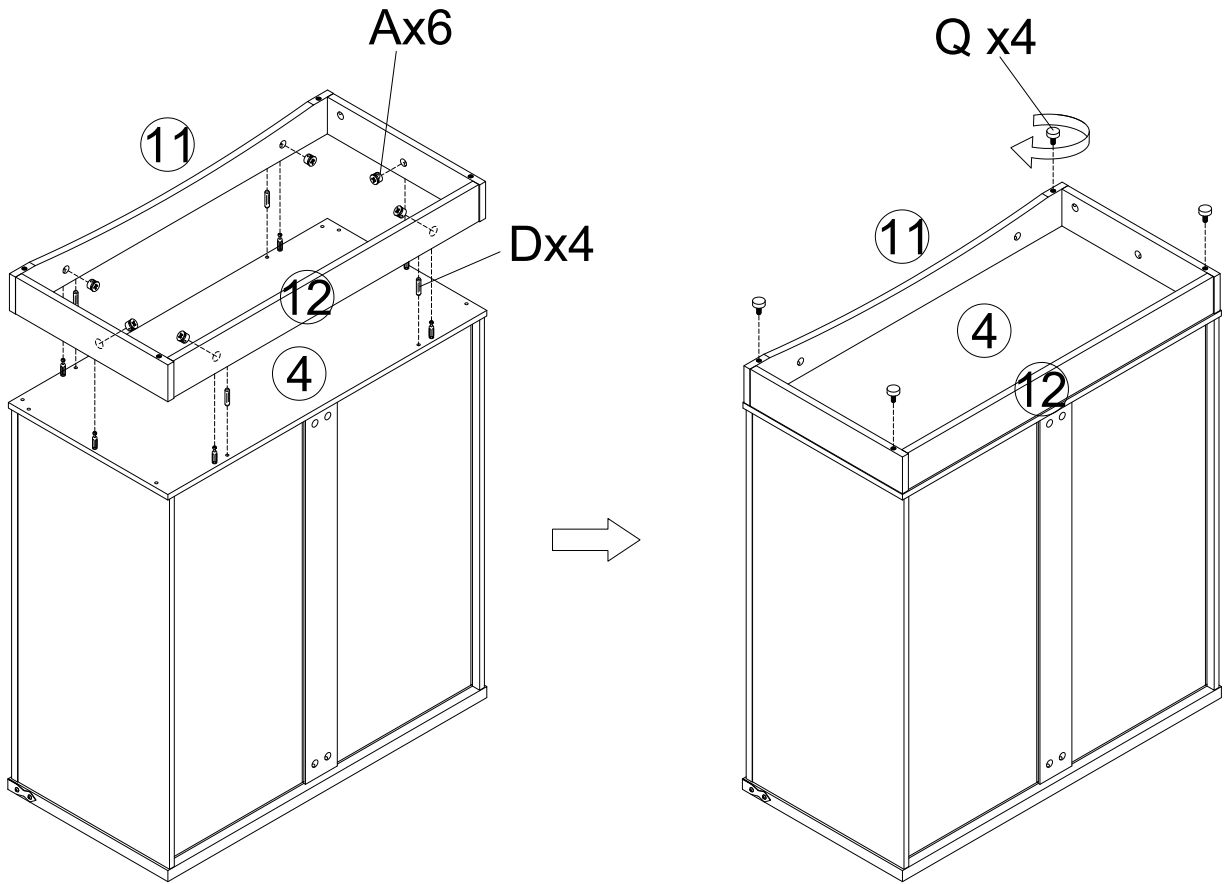
4

<p>A x 4</p> 	<p>B x 4</p> 	<p>D x 4</p> 	
--	--	--	--



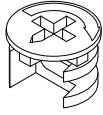
5

A x 6	B x 6	D x 4	K1 x 1	N x 2	Q x 4
-------	-------	-------	--------	-------	-------

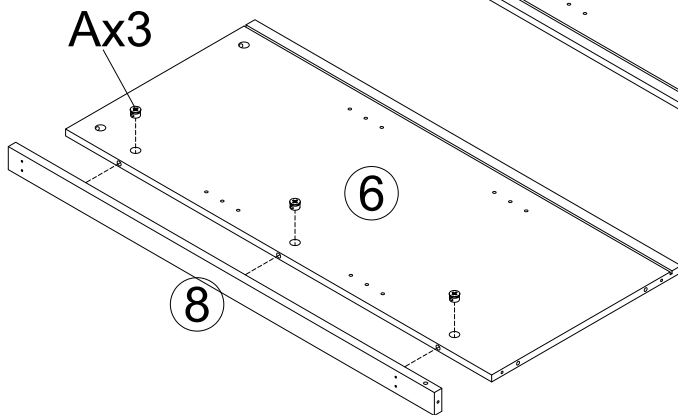
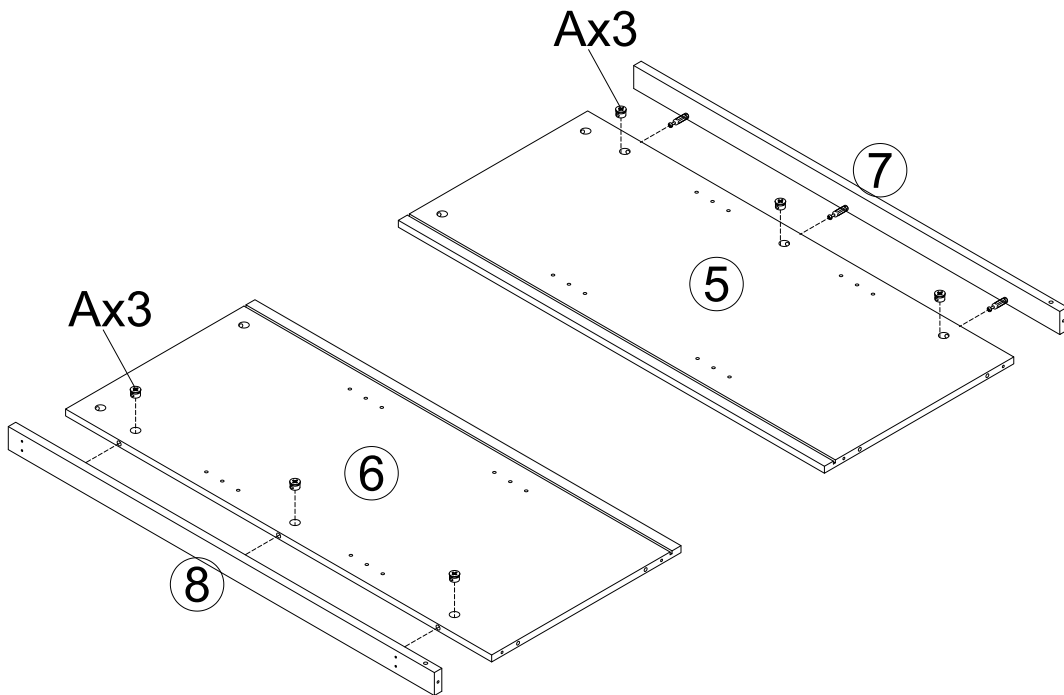
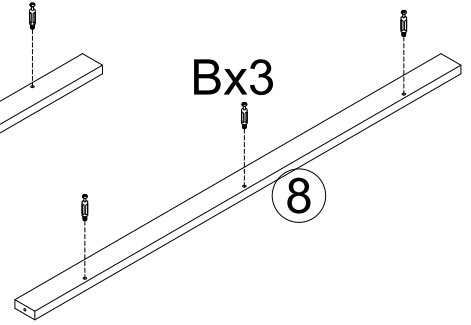
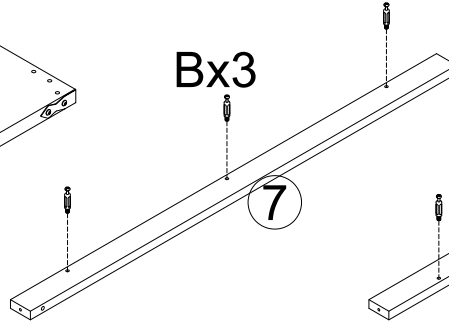
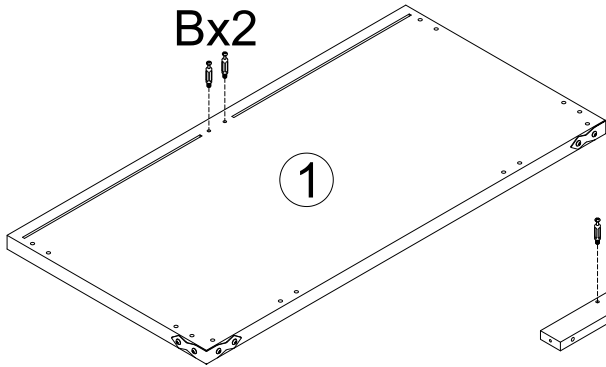
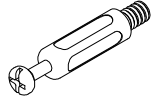




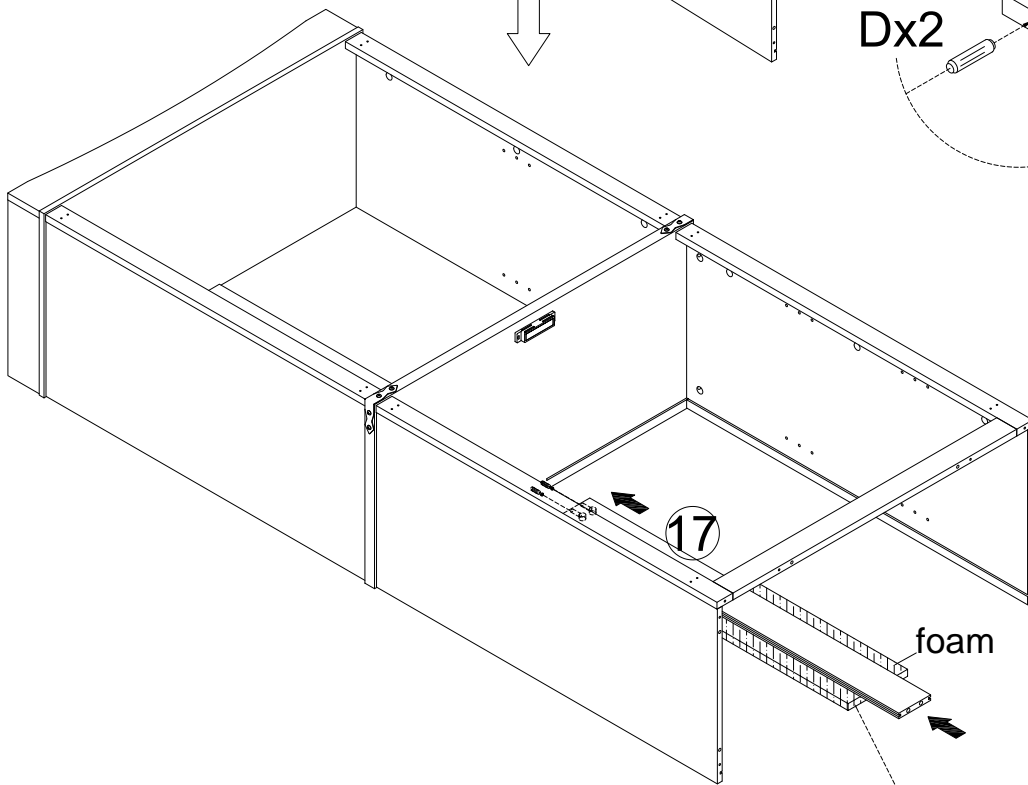
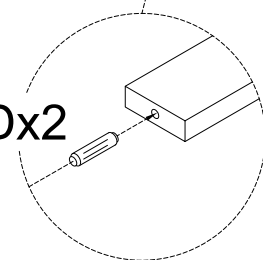
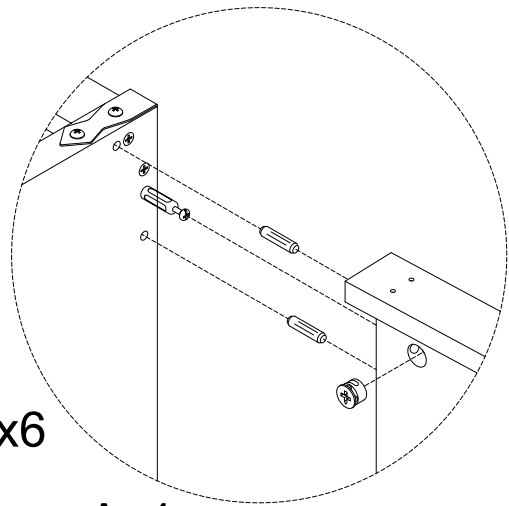
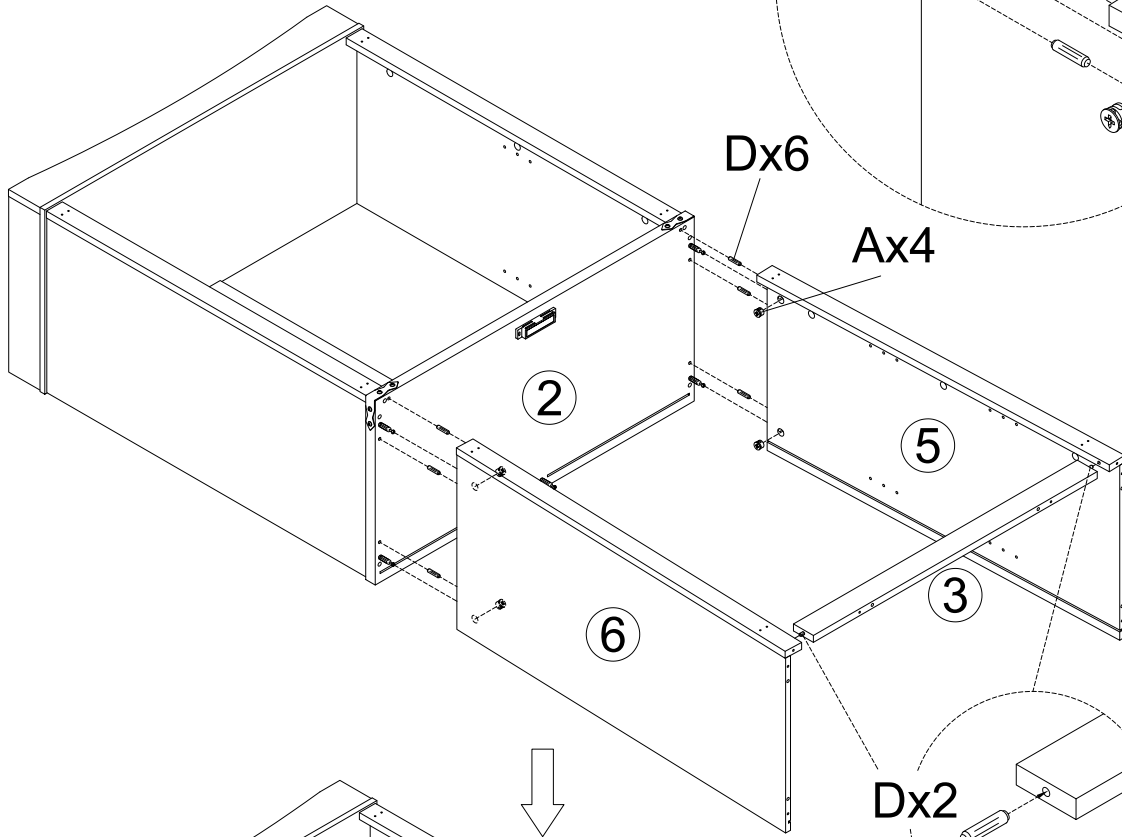
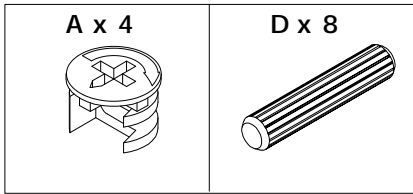
A x 6



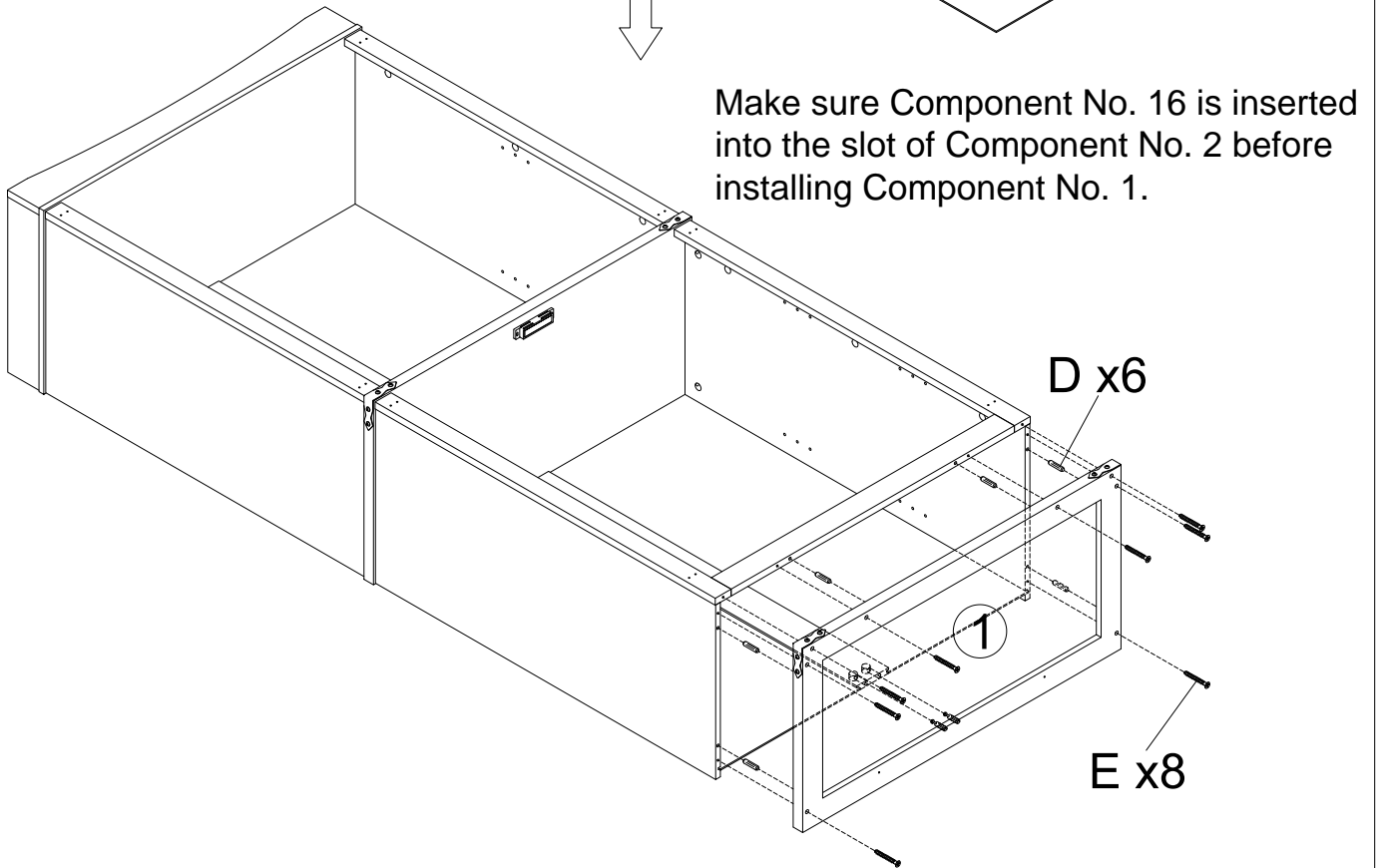
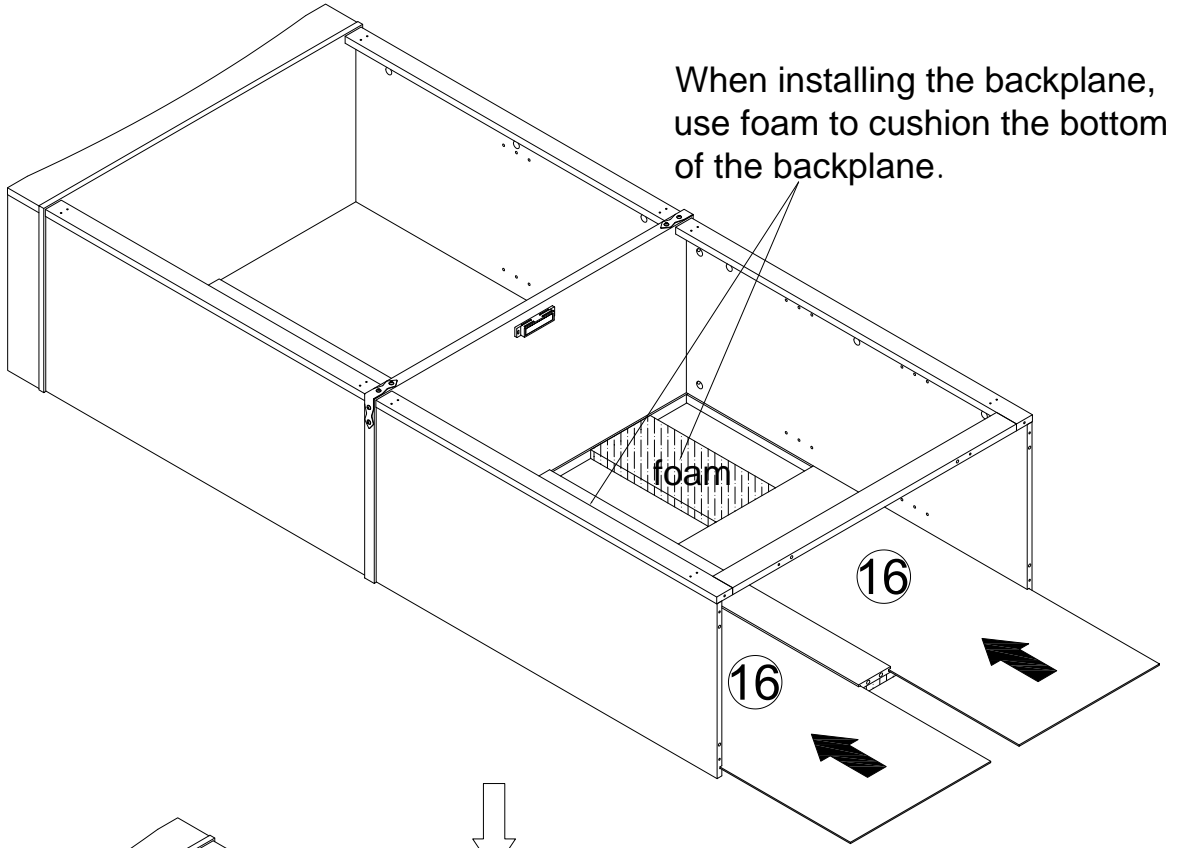
B x 8



7

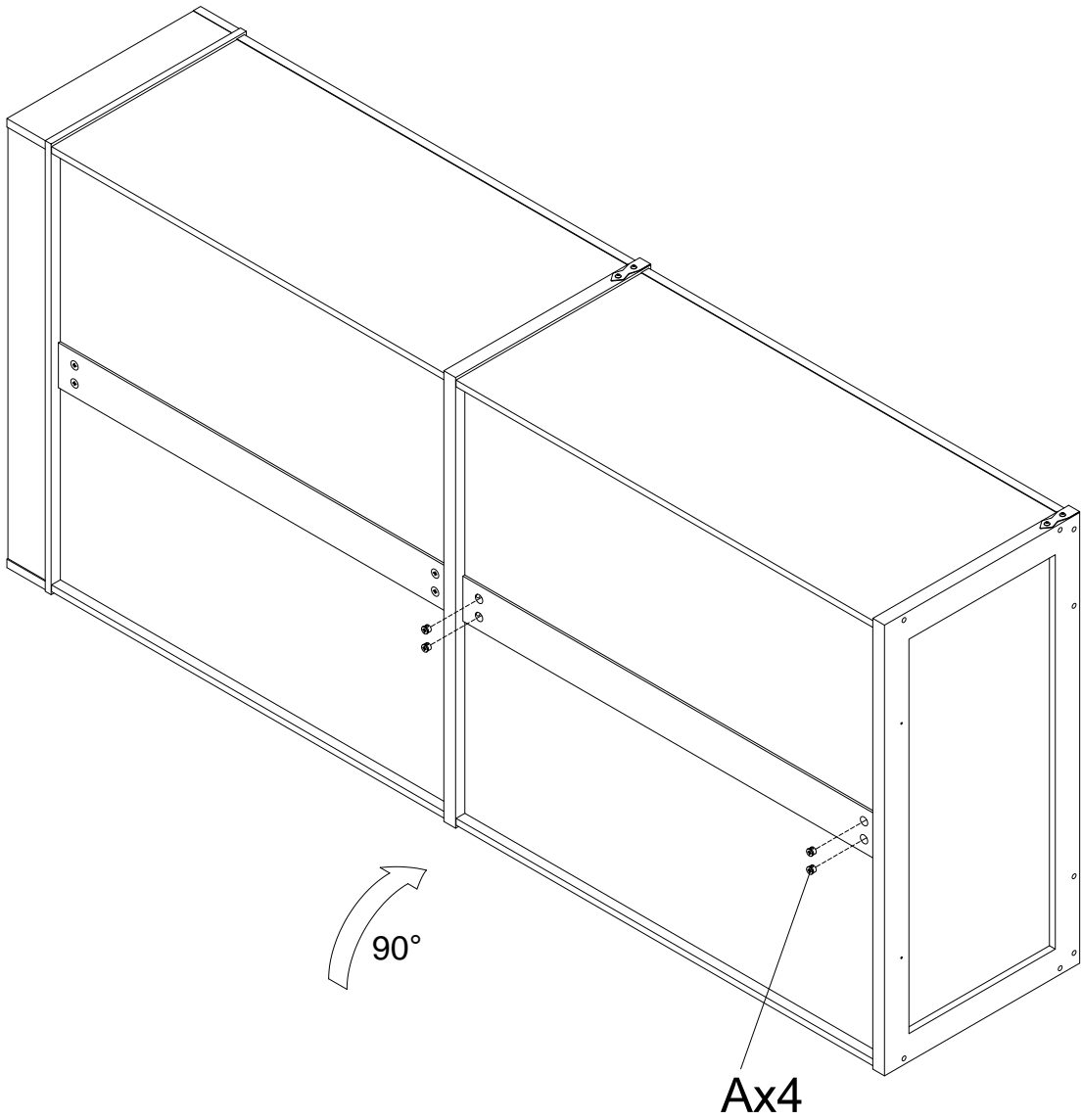
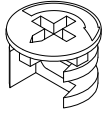


Use foam to pad the back brace so that its hole position is aligned.






A x 4



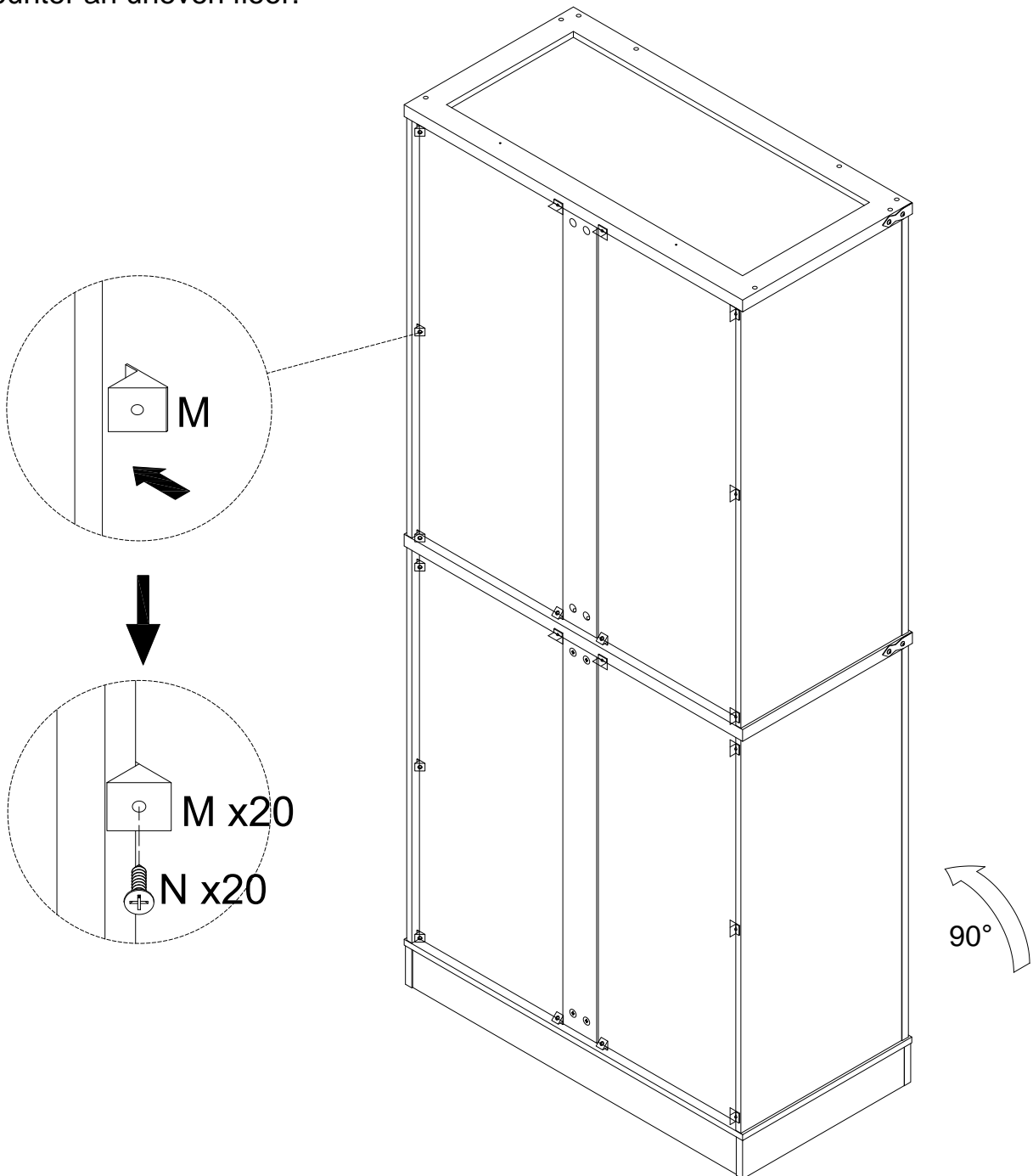
10

M x 20 	N x 20 	
---	---	--

Installing back panel fasteners can improve the overall stability of the furniture. It ensures the verticality of the furniture and that the door panels are level, so that the gaps are uniform.

Also, you can adjust the level of the cabinet by using the adjustable feet at the bottom of the furniture to make the gaps between the cabinet door panels even.

During the adjustment process, you should first place the furniture in the position where it is needed. Otherwise, when you move it to that position after adjustment, you may encounter an uneven floor.

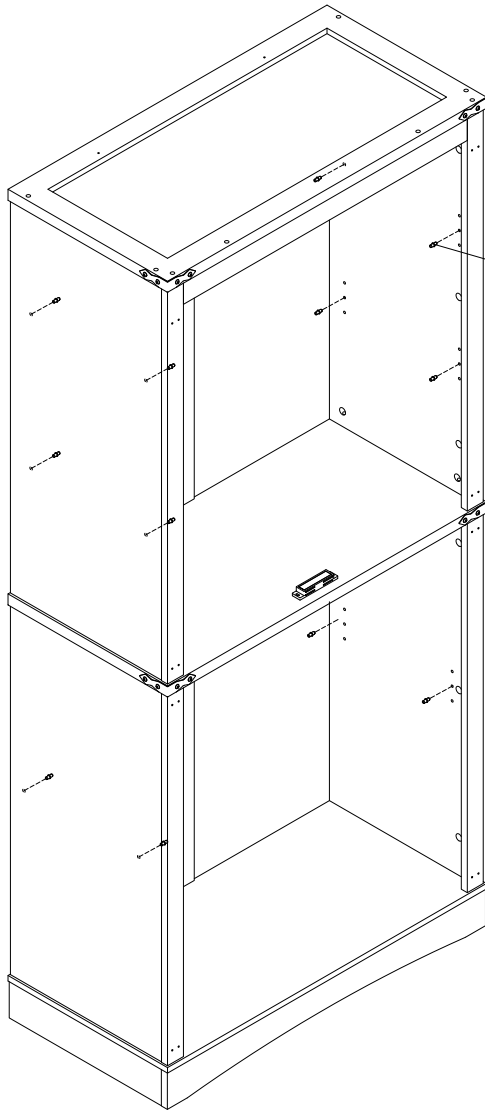


1 1

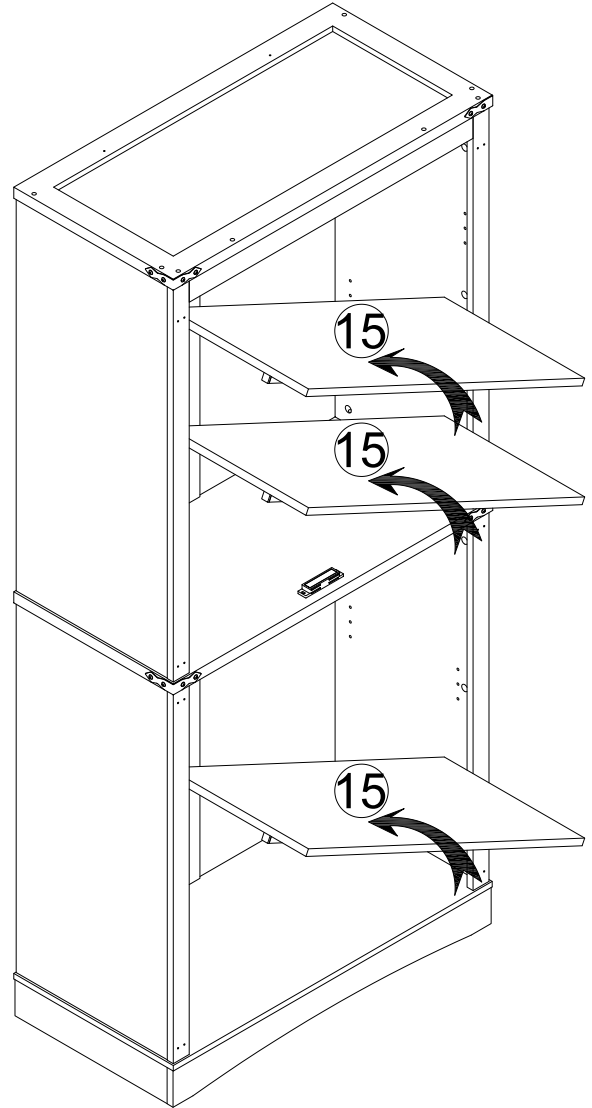
J x 12



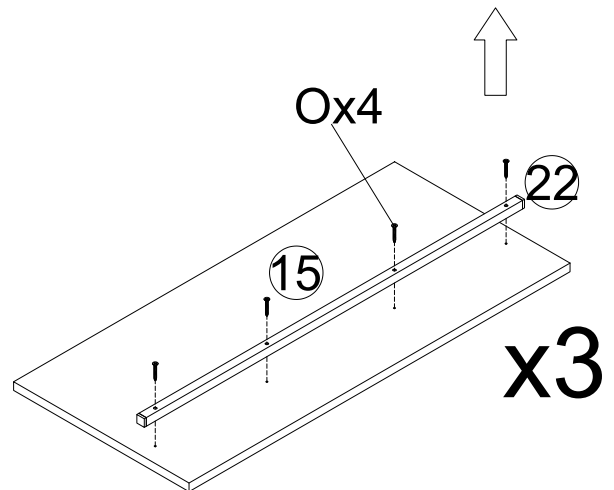
O x 12



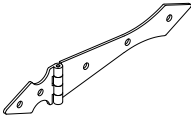
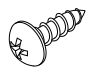




J x 12



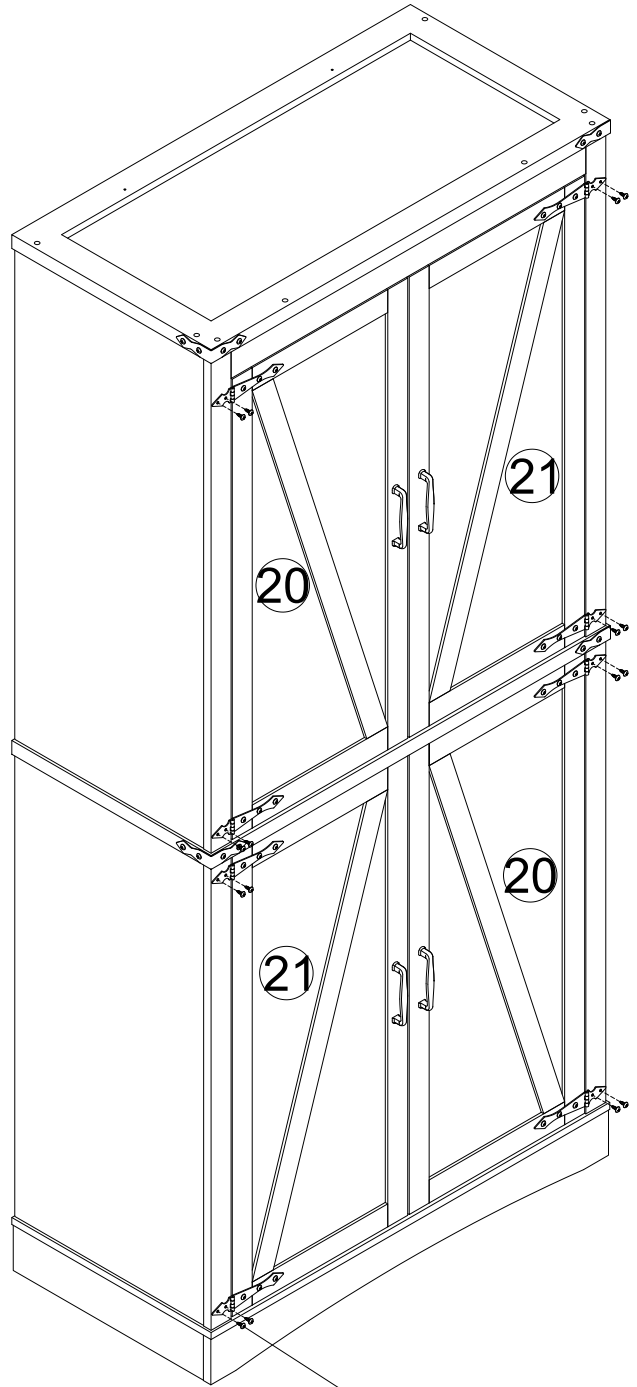
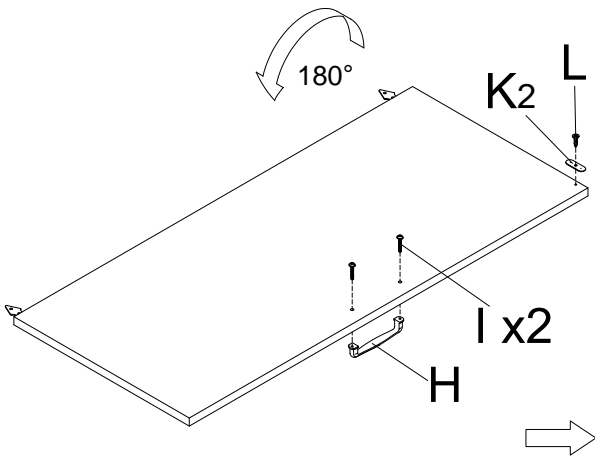
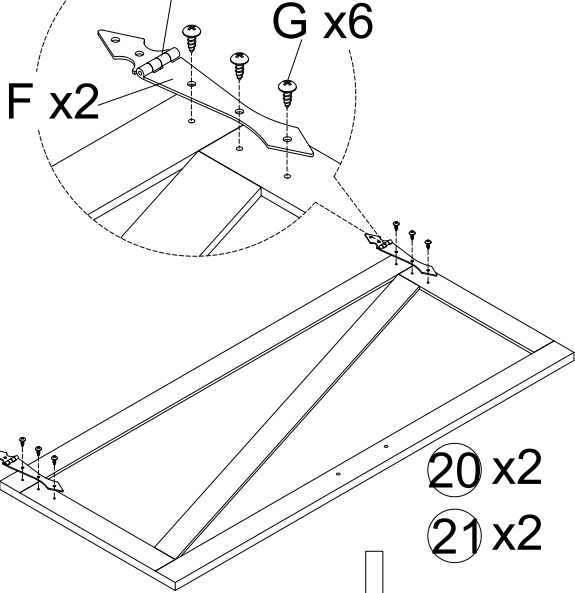
90°



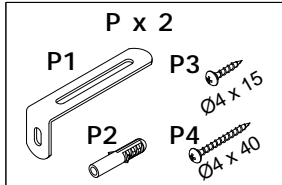
12


F x 8 	G x 40 	H x 4 	I x 8 	K2 x 4 	L x 4 	
--	---	--	--	---	--	--

*NOTE:Hinge axis facing outward



G x 16

13

 **Warning:** If you overturn the furniture, it may cause serious or fatal crushing injuries. We have a wall connection device attached, please use it to hold the furniture following these instructions.

1. Mark the corresponding hole positions where you want to place the furniture;
2. Use an impact drill to drill holes and pay attention to avoid wires and water pipes;
3. Knock the expansion pipes into the wall holes;
4. Place the furniture in the corresponding position and tighten the wall connection device with screws.

