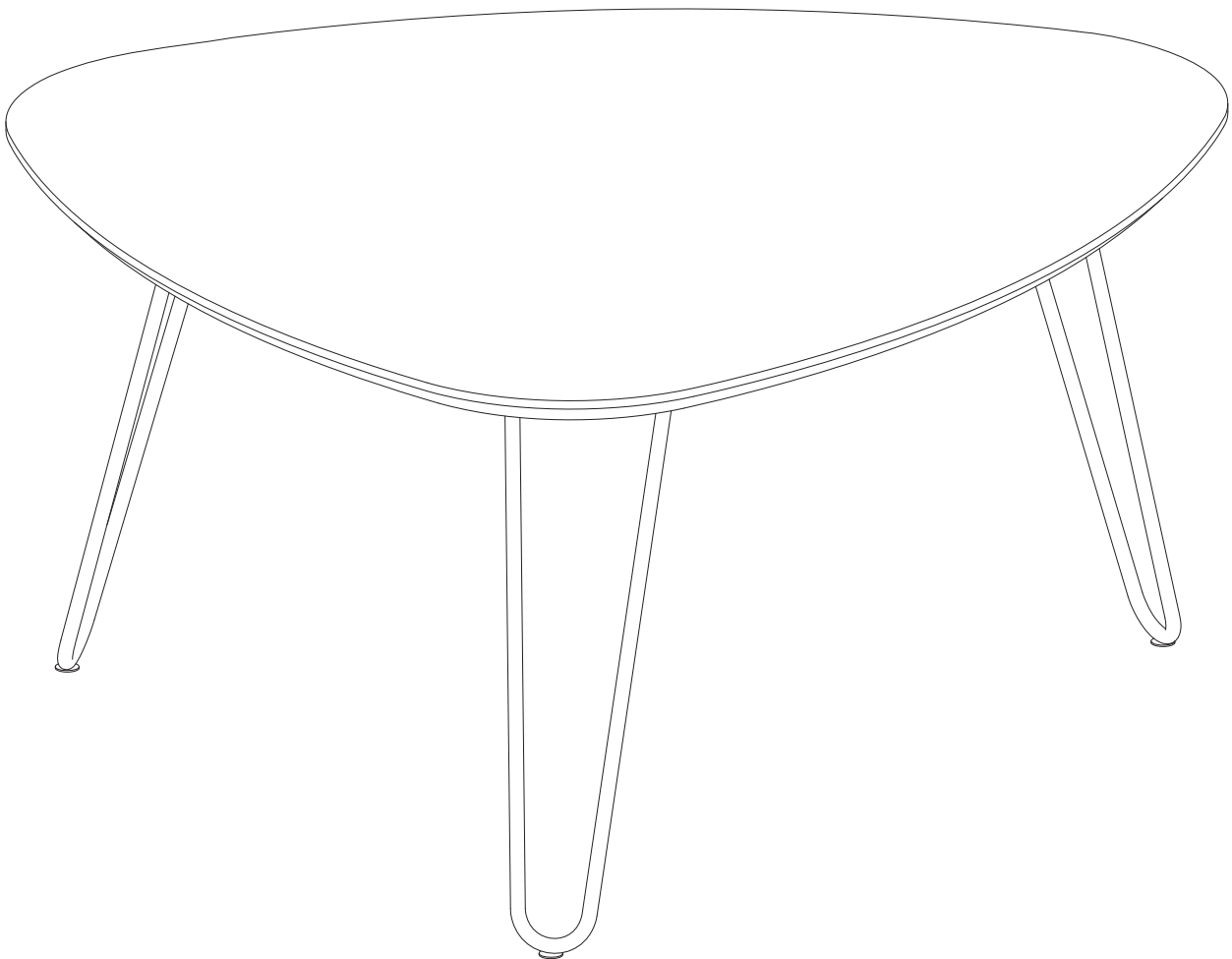




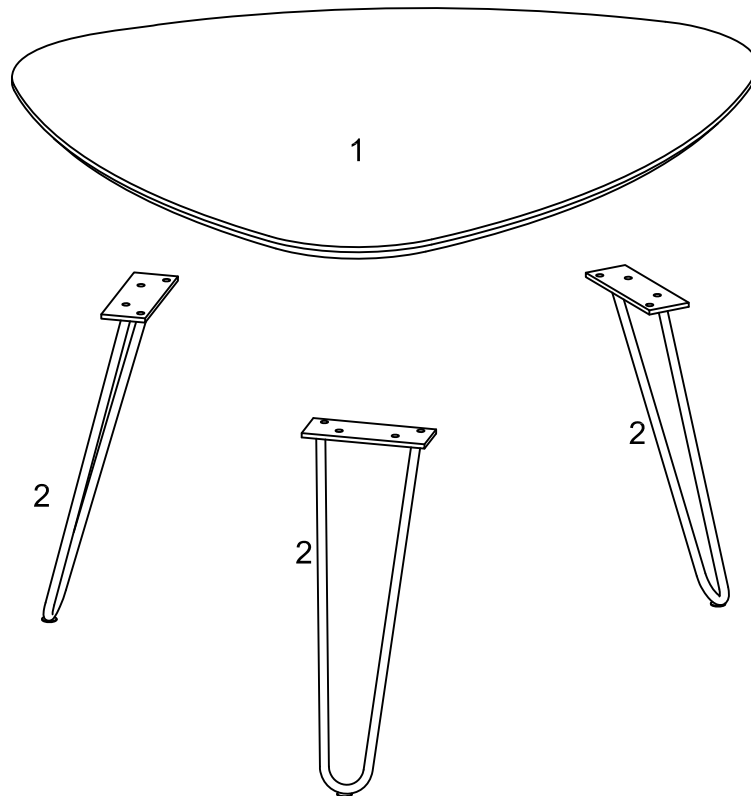
Assembly Instructions






Please visit our website for the most current instructions, assembly tips, report damage, or request parts. www.walkeredison.com

Revised 03/2017

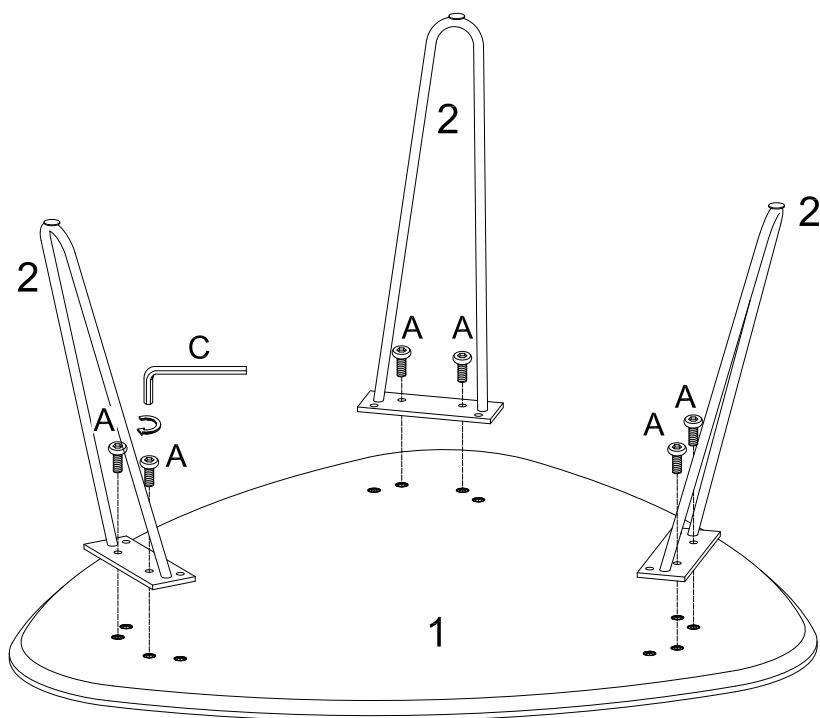
Parts List



Hardware List

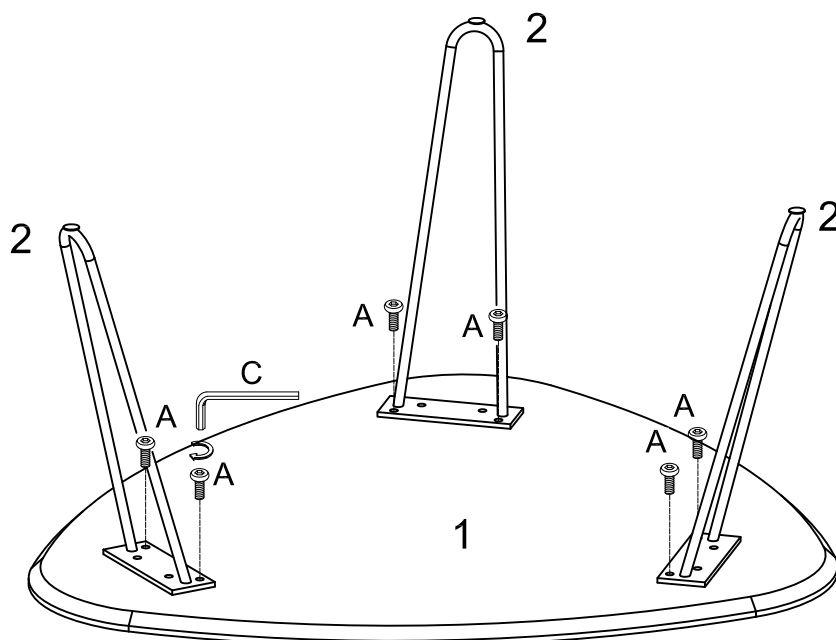
A		Ø6X15mm	Bolt	12 pcs
B		Ø16X2mm	Sponge pad	3 pcs
C		M4	Wrench	1 pc

Step 1



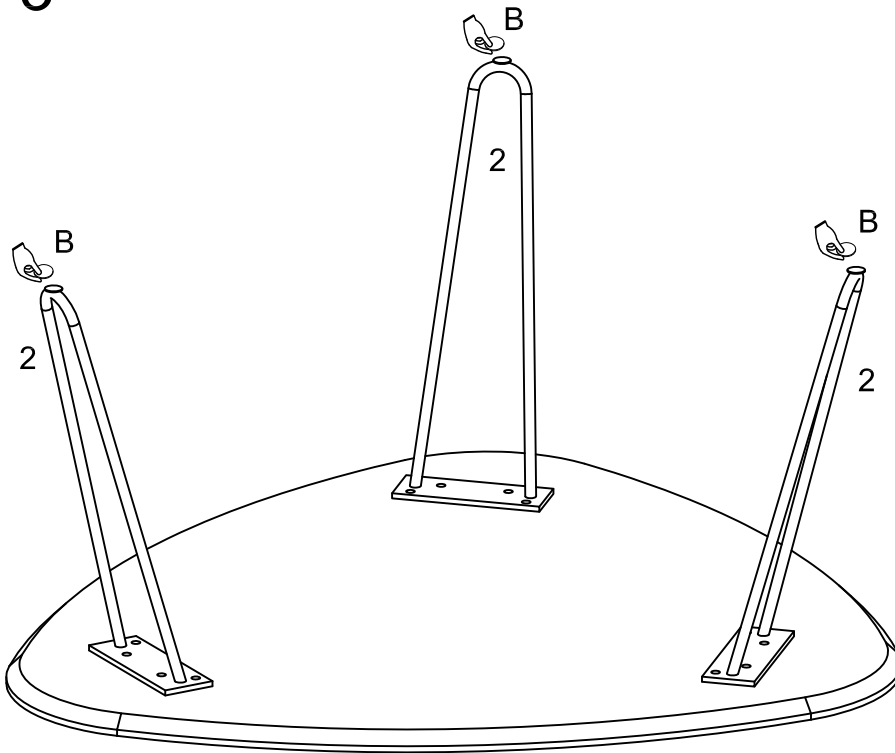
Use wrench (C), to secure legs(2) to the table top (1) with bolts (A).

Step 2



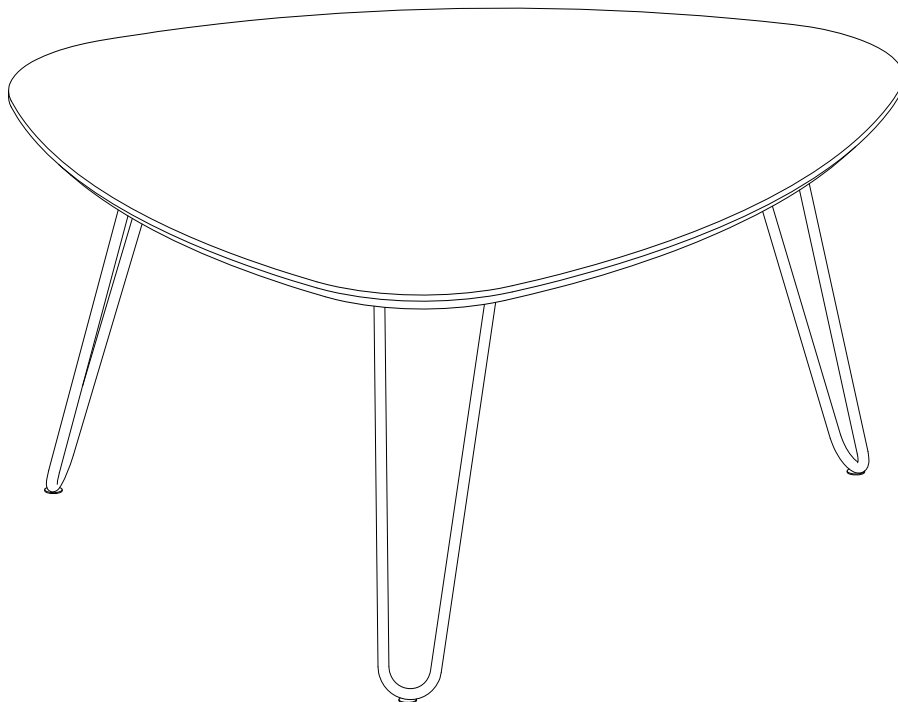
Use wrench (C), bolt (A) to secure the legs (2) to the table top (1).

Step 3



Stick the sponge pad (B) to the legs (2) as per diagram.

Step 4



Final Assembly