

QUICK SETUP GUIDE

10" Dual Screen Portable DVD Players

NS-DD10PDVD19

PACKAGE CONTENTS

- 10" Dual Screen Portable DVD Players (2)
- AV connecting cable to connect your players
- AV cable to connect your player to a TV or monitor
- Remote controls (2)
- AC/DC power adapters (2)
- DC vehicle power adapter
- Car headrest mounts (2)
- Travel storage case
- Quick Setup Guide



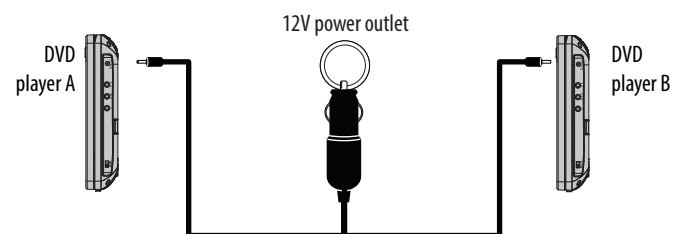
FIND YOUR USER GUIDE ONLINE!

Go to www.insigniaproducts.com, enter your model in the search box, then press **ENTER**. Next to *Features*, click **Support & Downloads**, then next to *User Guide*, click the language you want.

SETTING UP YOUR PLAYER

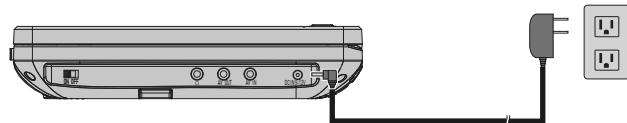
To connect to a 12V power outlet

- Plug the included Y-type vehicle power adapter into your player(s) and then into a 12V power outlet.

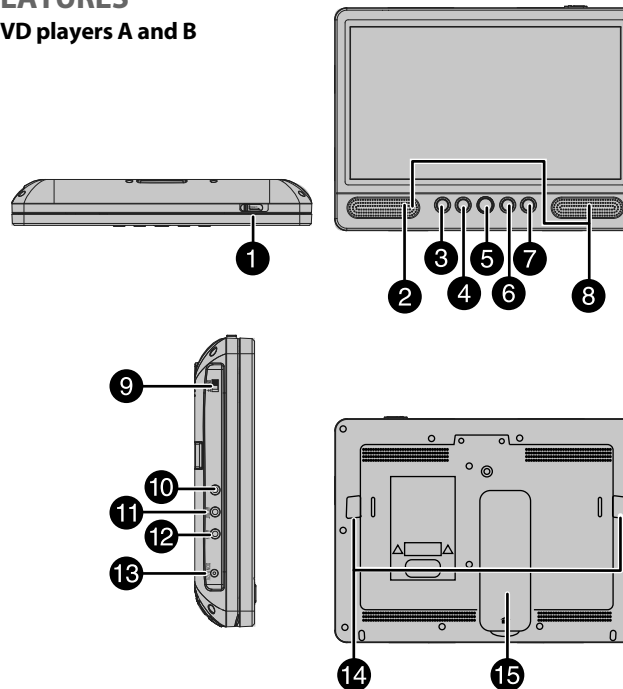


To connect to AC power

- Plug the included AC adapter into your player and then into a power outlet.



FEATURES DVD players A and B



USING YOUR DVD PLAYER

Play a DVD or Audio CD

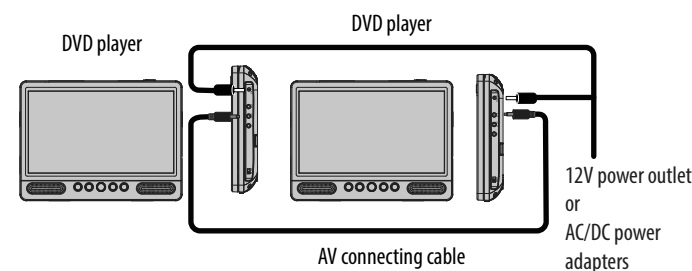
Note: Most DVDs and your DVD player have region codes that help control illegal distribution of DVDs. The region code for your player is **1**. You can only play DVDs with a region code of **1** or **ALL**. The region code for a DVD is printed on the DVD or the DVD packaging.

- 1 Make sure that your player is connected to power.
- 2 Slide the **ON/OFF** switch to the **ON** position.
- 3 Slide the **OPEN** switch. The disc tray opens.
- 4 Place a disc, label side up, in the disc tray, then close the tray. The disc starts playing automatically.
- 5 Use the player navigation controls and buttons on the DVD player to control playback.

For more information about using your Portable DVD player, see your online *User Guide* at www.insigniaproducts.com.

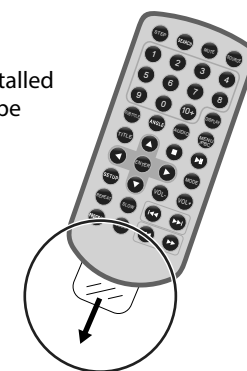
Connecting your two DVD players

- 1 Using the AV connecting cable, connect the AV OUT jack on one player to the **AV IN** jack on the other player.
- 2 Make sure that both players are connected to power.
- 3 Turn on the DVD players.
- 4 Press and hold the **SOURCE/SETUP** button on the player with the cable going to the AV IN jack until AV IN appears on the screen.



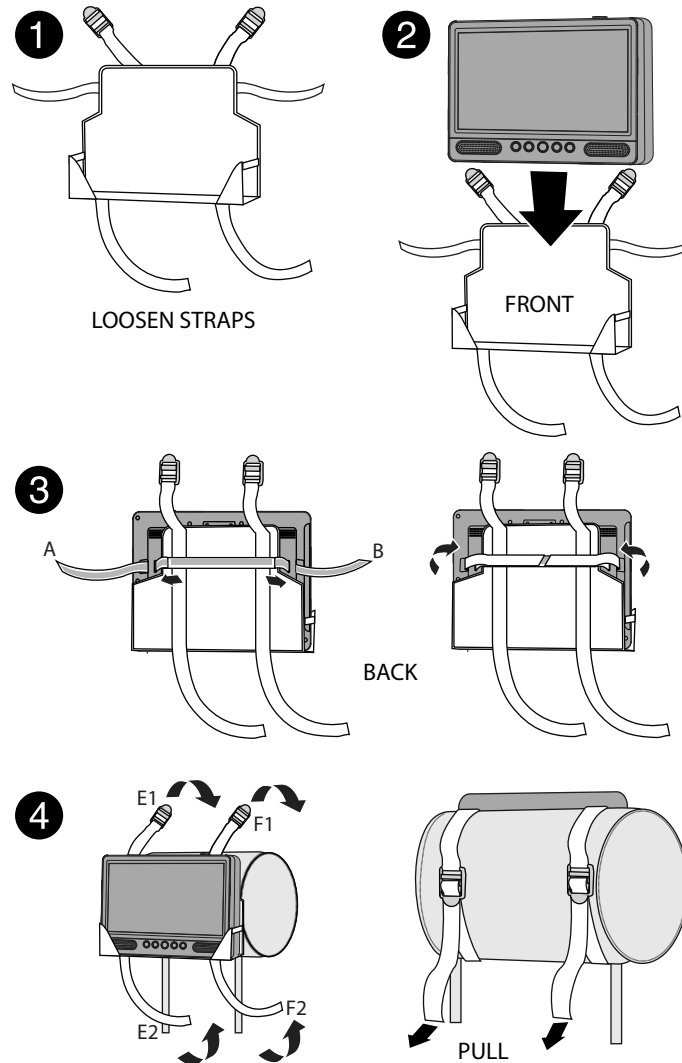
#	DESCRIPTION	FUNCTION
1	◀ OPEN latch	Slide to open the disc tray.
2	Power indicator	Lights blue when your player is powered and turned on.
3	⏮ ▲ Up/Previous/VOL-	In playback mode, press to skip back on a disc. Press and hold to decrease the volume. In menus, press to move up.
4	▼ ⏭ Down/Next/VOL+	In playback mode, press to skip forward on a disc. Press and hold to increase the volume. In menus, press to move down.
5	Source/Setup	Press to switch between AV mode (to watch the same DVD on both players) and disc mode (to watch a different disc on each on each player).
6	▶ ■ Left/Play/Pause	In playback mode, press and hold to start or pause playback. In menus, press to move left.
7	⏸ Right/Stop	In playback mode, press and hold to stop playback. If you press this button once, then press the Play button, playback resumes where is stopped. If you press this button twice, then press the Play button, playback begins at the beginning of the disc. In menus, press to move right.
8	Speakers	Provide audio output when headphones are not connected.
9	ON/OFF switch	Slide to turn your player on or off.
10	🎧 (headphone) jack	Plug headphones into this jack.
11	AV OUT jack	Connect either the AV connecting cable to this jack to share playback with the other DVD player or the AV adapter cable to view playback on a TV or monitor.
12	AV IN jack	Connect the AV connecting cable to this jack to receive playback from the other DVD player.
13	DC IN jack	Plug the AC adapter or 12V car adapter into this jack.
14	Strap slots	Slide the mounting straps through these slots when installing your player in a vehicle.
15	Stand	Pull out to set your player on a desktop or table.

Remote control batteries are preinstalled and have a plastic tab that must be removed to operate your players.

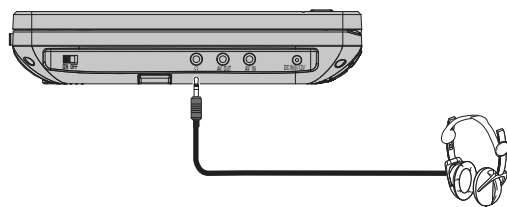


**To install your player in a vehicle**

- Slide the support strap through the slots on the back of your DVD player.
- Place the strap around the headrest of one of the vehicle's front seats.
- Center your DVD player in the middle of the headrest, then buckle the strap securely.

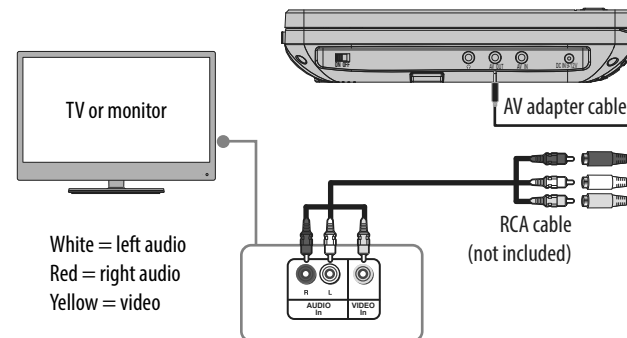
**CONNECTING HEADPHONES**

- Plug headphones (not included) into the headphone jack on your DVD player. When headphones are plugged into the headphone jack, no sound comes from the built-in speakers.

**CONNECTING TO A TV OR MONITOR**


You can connect your DVD player to a TV or monitor so you can watch DVDs on the TV or monitor.

- Plug the (included) AV adapter cable into the **AV OUT** jack on your DVD player.
- Plug an **AV** cable (not included) into the other end of the AV adapter cable. Make sure that the colors on the connectors match.
- Plug the other end of the **AV** cable into the AV jacks on the TV or monitor, making sure to match the colors on the connectors with the jacks.
- Turn your TV or monitor on.
Note: You may have to select the correct input on your TV or monitor.

**SPECIFICATIONS**

Compatible discs	DVDs (Region 1 for U.S.) and CDs
Signal system	PAL or NTSC
LCD	10 inches
Frequency response	20 Hz to 20 kHz
Audio S/N	>60 dB
Dynamic range	>80 dB
Laser	Semiconductor
Wave length	650 nm/795 nm
Power requirements	AC 100-240 V, 50/60 Hz
Operating temperature	32° to 104°F (0° to 40°C)
Weight	Each player: 1.8 lbs. (.8 kg)
Dimensions (H x W x D)	Each player: 7.24 x 9.8 x 1.5 in. (184 x 248.9 x 38.1 mm)

TROUBLESHOOTING

PROBLEM	SOLUTION
No power	<ul style="list-style-type: none"> Make sure that the AC power adapter is plugged in and connected. Make sure that your player is turned on.
No sound or distorted sound.	<ul style="list-style-type: none"> Adjust the volume. Make sure that all cables are inserted correctly into the appropriate jacks. Make sure that your player is not paused. Make sure that your player is not in fast forward or fast reverse mode. Make sure that your player is not too hot. Let it cool for 30 minutes, then try it again. Make sure that the headphones are not plugged in.
Cannot fast-forward or fast-reverse through a movie.	<ul style="list-style-type: none"> You cannot fast-forward through opening credits and warning information at the beginning of a movie. Some DVDs do not allow rapid scanning or skipping of titles or chapters. These functions do not work in AV IN mode.
The  icon appears on the screen.	<p>The action you tried cannot be done because:</p> <ul style="list-style-type: none"> The DVD software does not allow it. The DVD does not support the feature (for example the Subtitle feature). The feature is not available at the current point on the DVD. You entered a title or chapter number that is out of range.

PROBLEM	SOLUTION
Picture is distorted.	<ul style="list-style-type: none"> During fast-forwarding or fast-reversing, distortion is normal. The DVD may be damaged. Try another DVD.
Disc does not play.	<ul style="list-style-type: none"> Make sure that the disc is inserted with the label side up. Make sure that the disc is compatible with your player. Your player can play DVDs and audio CDs.

LEGAL NOTICES**FCC Statement**

This device complies with Part 15 of the FCC Rules. Operation of this product is subject to the following two conditions: (1) this device may not cause harmful interference, and (2) this device must accept any interference received, including interference that may cause undesired operation.

This equipment has been tested and found to comply within the limits for a class B digital device, pursuant to Part 15 of the FCC Rules. These limits are designed to provide reasonable protection against harmful interference in a residential installation. This equipment generates, uses, and can radiate radio frequency energy and, if not installed and used in accordance with the instructions, may cause harmful interference to radio communications.

However, there is no guarantee that interference will not occur in a particular installation. If this equipment does cause harmful interference to radio or television reception, which can be determined by turning the equipment off and on, the user is encouraged to try to correct the interference by one or more of the following measures:

- Reorient or relocate the receiving antenna.
- Increase the separation between the equipment and receiver.
- Connect the equipment into an outlet on a circuit different from that to which the receiver is connected.
- Consult the dealer or an experienced radio/TV technician for help.

FCC warning

Changes or modifications not expressly approved by the party responsible for compliance with the FCC Rules could void the user's authority to operate this equipment.

IMPORTANT SAFEGUARDS

- Read these instructions.
- Keep these instructions.
- Heed all warnings.
- Follow all instructions.
- Do not use this apparatus near water.
- Clean only with a dry cloth.
- Do not block any ventilation openings. Install in accordance with the manufacturer's instructions.
- Do not install near any heat sources such as radiators, heat registers, stoves, or other apparatus (including amplifiers) that produce heat.
- Do not defeat the safety purpose of the polarized or grounding-type plug. The wide blade is provided for your safety. If the provided plug does not fit into your outlet, consult an electrician for replacement of the obsolete outlet.
- Protect the power cord from being walked on or pinched particularly at plugs, convenience receptacles, and the point where they exit from the apparatus.
- Only use attachments/accessories specified by the manufacturer.
- Unplug this apparatus during lightning storms or when unused for long periods of time.
- Refer all servicing to qualified service personnel. Servicing is required when the apparatus has been damaged in any way, such as power-supply cord or plug is damaged, liquid has been spilled or objects have fallen into the apparatus, the apparatus has been exposed to rain or moisture, does not operate normally, or has been dropped.
- To reduce the risk of fire or electric shock, do not expose this device to rain, moisture, dripping, or splashing, and no objects filled with liquids, such as vases, shall be placed on it.
- The wall plug is the disconnecting device. The plug must remain readily operable.

ONE-YEAR LIMITED WARRANTY

Visit www.insigniaproducts.com for details.

CONTACT INSIGNIA:

For customer service, call 1-877-467-4289 (U.S. and Canada) or 01-800-926-3000 (Mexico)
www.insigniaproducts.com

INSIGNIA is a trademark of Best Buy and its affiliated companies. Registered in some countries. Distributed by Best Buy Purchasing, LLC. 7601 Penn Ave South, Richfield, MN 55423 U.S.A. ©2018 Best Buy. All rights reserved. **Made in China**

