



STORM SHELL XL

TV + soundbar protection | 65"

Assembly & installation instructions



TV and soundbar not included.

SS-65-SB | A-65-SB

Compatible with 65" TVs

V1.4

Table of contents:

Safety guidelines	3
Getting started	4
Supplied parts & hardware	7
Assembly and installation	12



Safety guidelines

Please read and understand this entire manual before attempting to assemble or operate the product. If the directions are not followed personal injury or property damage may occur.

Keep these installation instructions in an easily accessible location for future reference.

CAUTION

- The maximum TV load capacity is 100 lbs. Exceeding the maximum load capacity may cause serious injury.
- The wall structure must be capable of supporting at least five times the maximum load capacity. If not, the wall must be reinforced.
- DO NOT mount on drywall or plywood alone.
- DO NOT install on a structure prone to vibration, movement, or impact. Failure to follow this guideline may result in damage to the display or mounting surface.
- DO NOT install the Storm Shell Enclosure near a heater, fireplace, air conditioning unit, or any other heat-producing source. Failure to follow this instruction may cause damage to the display and/or hard cover and could increase the risk of fire.
- Proper assembly, as outlined in the installation instructions, must be performed by yourself or a qualified service technician. Failure to comply may result in serious personal injury.
- It is advised that two people perform the installation. Dropping or mishandling the display, soundbar, or hard cover may result in injury and/or damage.
- If you do not understand these installation instructions, please consult a professional installation specialist.



WARNING:

This kit contains small parts which can act as a choking hazard if swallowed.

Getting started

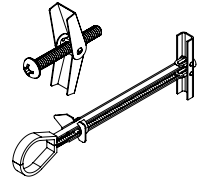
MAKE SURE THIS STORM SHELL WILL WORK FOR YOU!

Included hardware supports installation on:

- Drywall over wood studs
- Solid concrete, structural brick, or masonry (minimum 8 inch thick)
- Outdoor siding (aluminum, vinyl, stucco, brick veneer, etc.) installed over wood studs.

For the following materials, use toggle bolts (1/4" or 5/16") available at your local hardware store:

- Drywall over metal studs
- C90 hollow concrete block
- Structural brick or masonry (less than 8 inch thick)



DO YOU NEED AN ADAPTER PLATE?

Concrete wall or hollow wall (non-drywall)

✗
NO

Wood studs with spacing \neq 16 inches

✓
YES

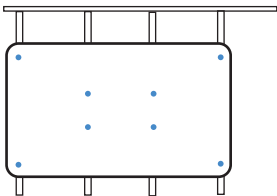
Storm Shell aligns with wood studs with 16-inch spacing

✗
NO

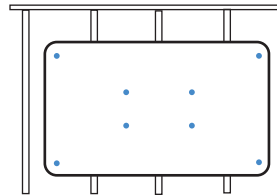
Storm Shell is offset with wood studs with 16-inch spacing

✓
YES

Mounting holes align with studs



Mounting holes are offset from studs



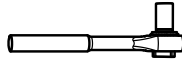
Order the adapter mounting plate at www.stormshelltv.com/accessories

ASSEMBLY TOOLS (NOT INCLUDED)

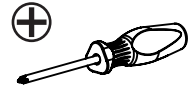
All installations



Measuring tape



Socket wrench



Phillips screwdriver



Level



Power drill



Pencil or pen

Wood stud installation



Wood drill bits:
5/32" (4mm) &
1/4" (7mm)

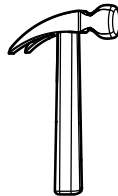


Stud finder

Solid concrete, brick, & masonry installation



Crescent wrench



Hammer



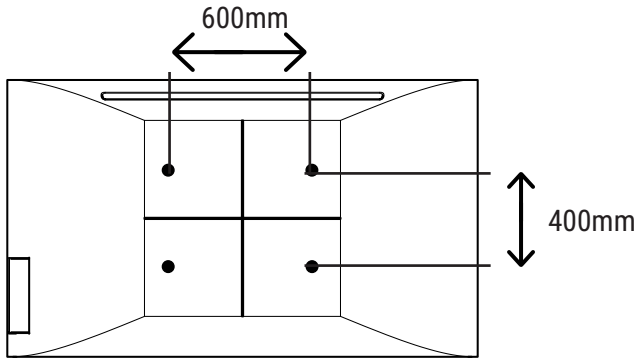
Hammer drill



Masonry drill bits:
5/32" (4mm) &
5/16" (8mm)

VESA PATTERN

Width	600mm (23.62 in) max
Height	400mm (15.75 in) max
Compatible VESA patterns	Will fit 100 mm, 200mm, 300mm, 400mm, and 600mm VESA patterns

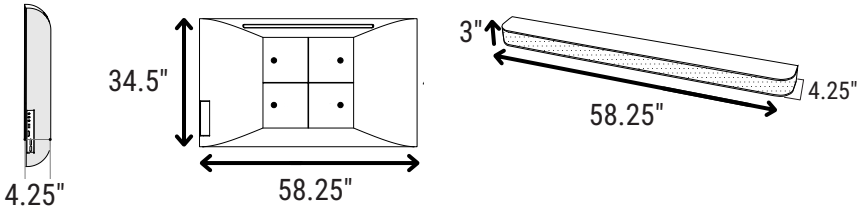


TV & SOUNDBAR COMPATIBILITY

MAX TV dimensions (including frame bezel):	MAX soundbar dimensions:
--	--------------------------

58.25"L x 34.50"H x 4.25"D

58.25"L x 3.00"H x 4.25"D



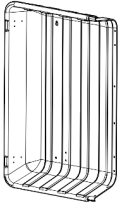
WEIGHT CAPACITY

Maximum TV weight (including accessories): 100 LBS max

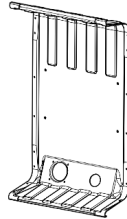
Parts & hardware

TV and Soundbar not included.

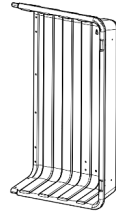
Note: If you are missing any parts, contact us.



Storm Shell back left
Qty.1



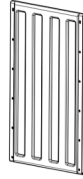
Storm Shell back middle Qty.1



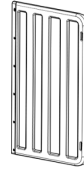
Storm Shell back right
Qty.1



Storm Shell front left
Qty. 1



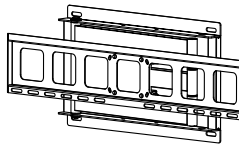
Storm Shell front middle Qty. 1



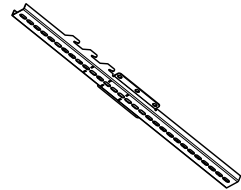
Storm Shell front right
Qty. 1



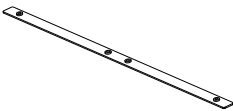
Cover storage
hook Qty.2



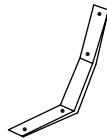
TV bracket Qty.1



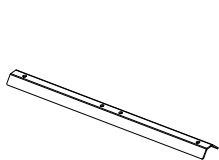
Vertical
bracket Qty.2
*Note: Comes attached
to the TV bracket.*



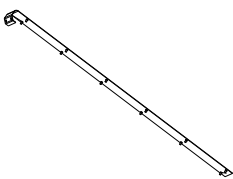
Bottom connecting bar
Qty.2



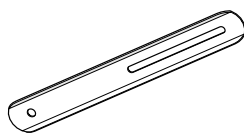
Angle brackets
Qty. 4



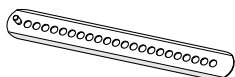
Top connecting bar
Qty.2



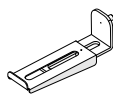
Middle connecting plate
Qty.2



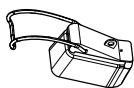
Lower SB bracket
Qty.2



Upper SB bracket
Qty.2



SB bracket support
Qty.2



Buckle latch
Qty.4



Padlock with keys
Qty.2

PACK #1 STORM SHELL ASSEMBLY HARDWARE



M4x14mm
Qty. 20



M4 flange nut
Qty. 20



ST3.5x20mm
Qty. 12



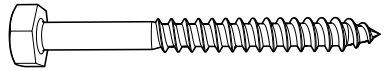
M4x8mm
Qty. 20



ST6x30mm
Qty. 4



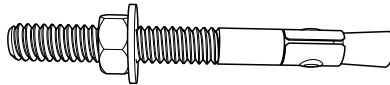
D6 Washer
Qty. 2



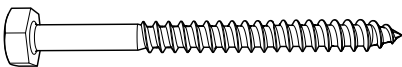
ST8x60mm
Qty. 4



D8 Washer
Qty. 4



Concrete sleeve
anchor
Qty. 4



ST8x90mm
Qty. 4



M4 nut
Qty. 24



D4 washer
Qty. 24

PACK #2 TV MOUNTING BRACKET HARDWARE

V1



M4x12mm
Qty. 4

V2



M4x30mm
Qty. 4

V3



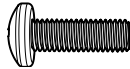
M6x12mm
Qty. 8

V4



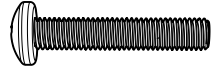
M6x30mm
Qty. 4

V5



M8x25mm
Qty. 4

V6



M8x45mm
Qty. 4

V7



D4 Washer
Qty. 4

V8



D6 Washer
Qty. 4

V9



5mm Spacer
Qty. 4

V10



10mm Spacer
Qty. 4

PACK #3 SOUNDBAR MOUNTING BRACKET HARDWARE

S1



M6 Wingnut
Qty. 4

S2



D6xD20xT1.5 Spacer
Qty. 4

S3

Soundbar screws
Qty. 2 each



M4X10mm



M4X16mm



M5X10mm



M5X16mm



M6X16mm



1/4-20 x 3/8"

S4



M4/M5 Washer
Qty. 2

S5



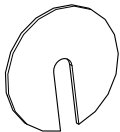
M6/M8 Washer
Qty. 2

S6



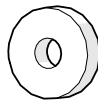
Keyhole Screw
Qty. 2

S7



Fender Washer
Qty. 2

S8



D10xD30xT8 Spacer
Qty. 2

S9



D10xD25xT6 Spacer
Qty. 2

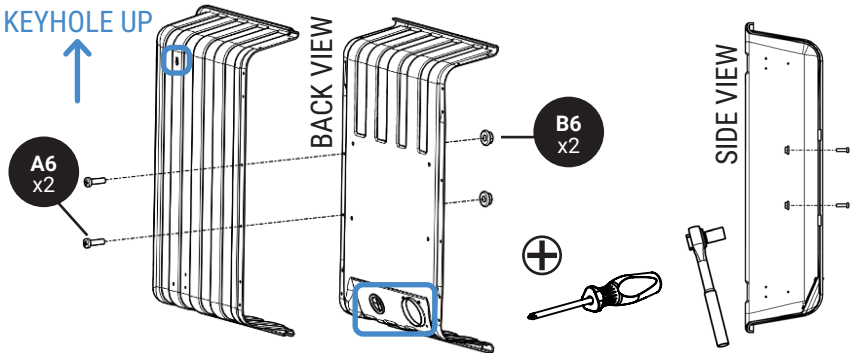
Assembly & installation

Follow each step as instructed to avoid any unwanted obstacles. Work in a spacious area near where the item will be used. Check your item list to make sure all parts and hardware are included before you begin the assembly process. It is advised that two people perform the installation. If you need any assistance with your new item, please don't hesitate to call or email us. We're happy to guide you through the assembly process.

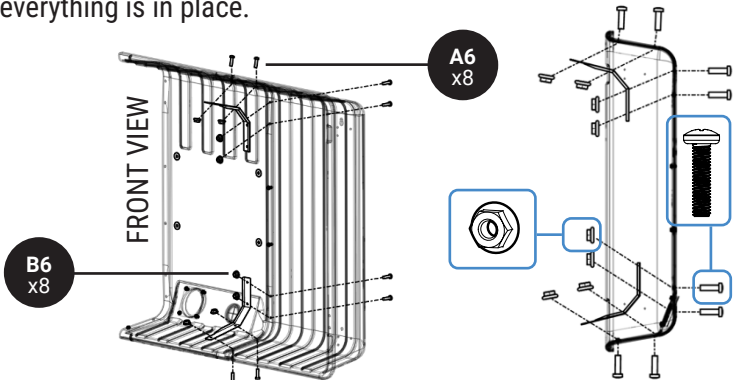
STEP 1: PREPARE THE STORM SHELL

1-1 Assemble Storm Shell back

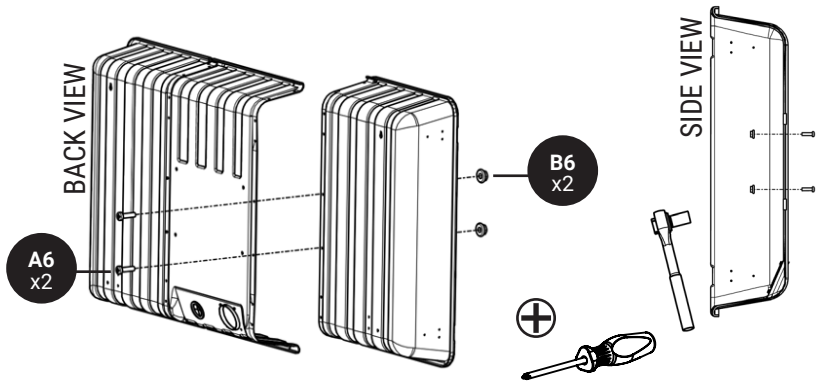
Attach the back right panel to the back middle panel, ensuring the keyhole faces upward and the grommet holes are positioned at the bottom, as shown. Secure the connection by tightening the nuts using a 7mm socket wrench and a Phillips screwdriver.



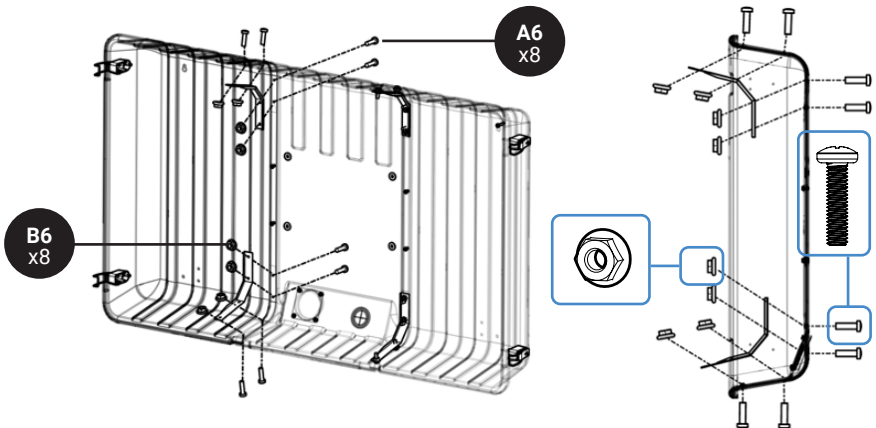
Secure two angle brackets to the inside seam where the two panels meet. Start all hardware loosely, then fully tighten once everything is in place.



Attach the back left panel to the back middle panel. Use a 7mm socket wrench and a Phillips screwdriver to tighten the nuts.

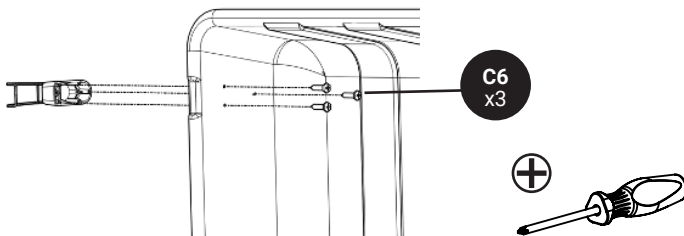


Secure two angle brackets to the inside seam where the two panels meet.



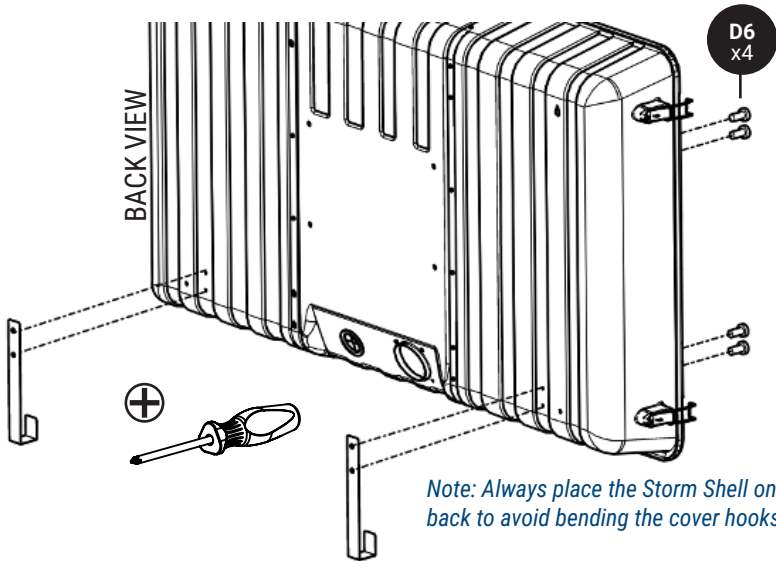
1-2 Attach buckle latches

On the back of the Storm Shell, secure the 4 buckles near each corner using 3 screws for each buckle.



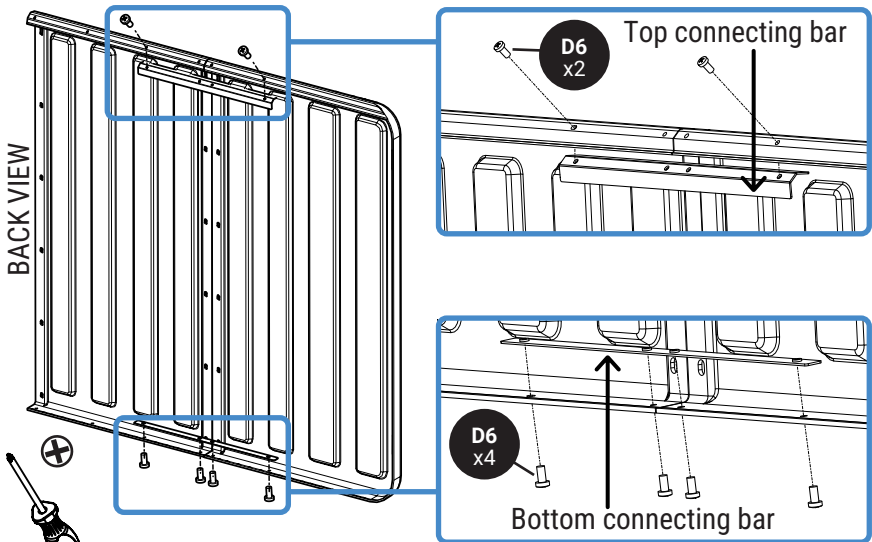
1-3 Attach cover hooks

Secure the hooks to the back of the Storm Shell.

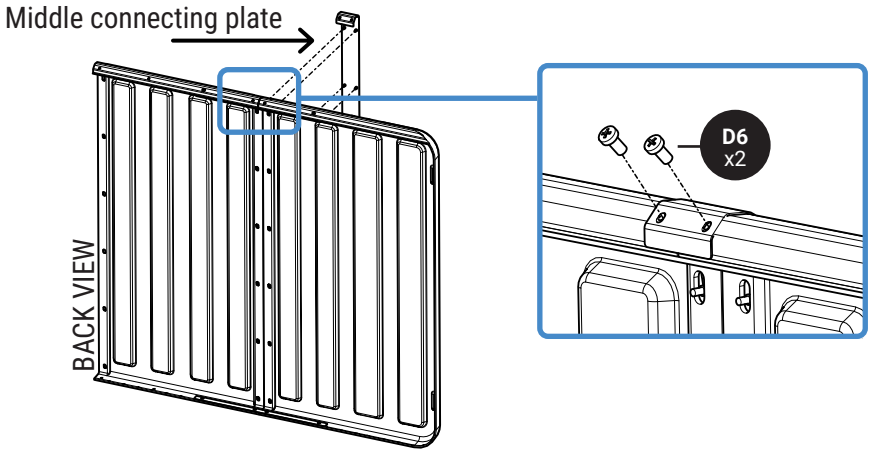


1-4 Assemble Storm Shell front

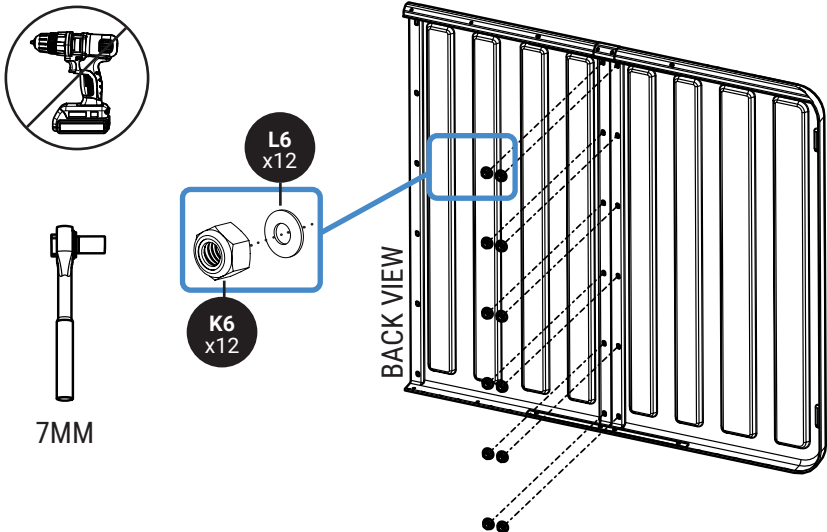
Attach the top and bottom connecting bars to the inside of the right and middle front covers.



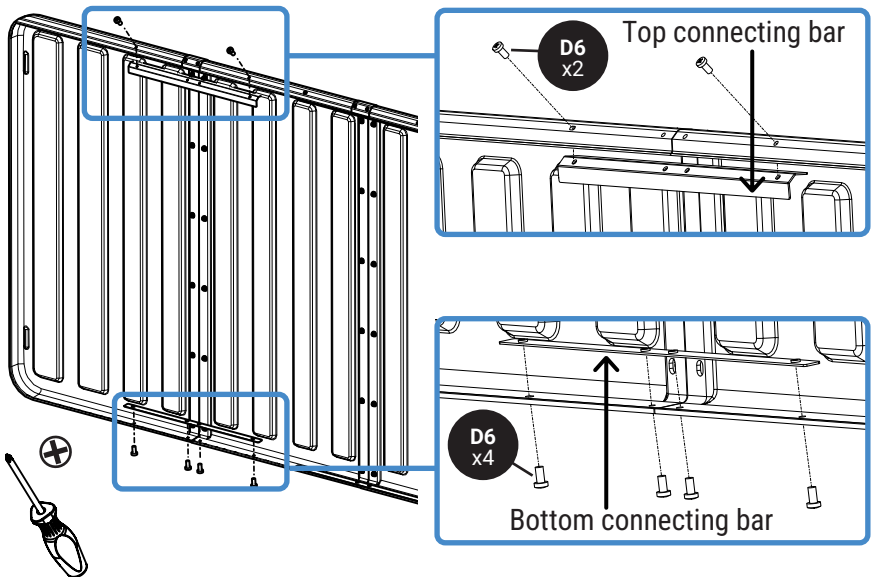
Add the first middle connecting plate to the front of the cover, ensuring the hook goes over the top. Secure to the edge with two D6 screws.



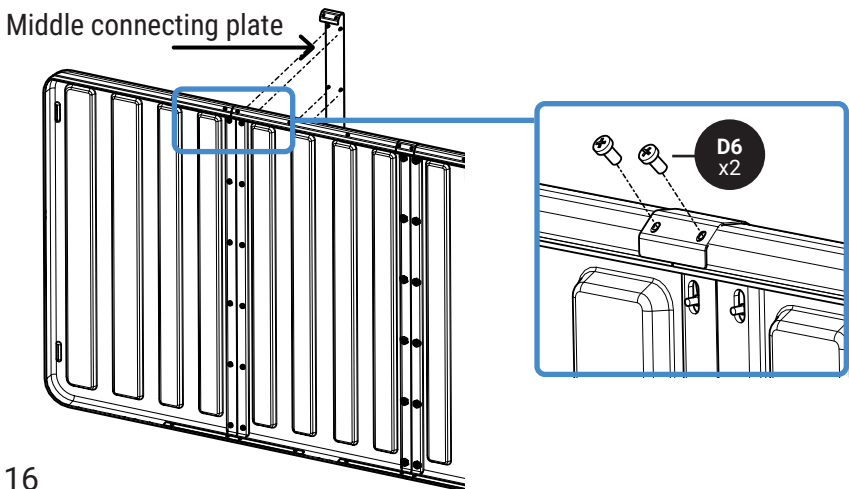
Add the L6 washers and K6 nuts. Hand tighten the K6 nut with a 7mm socket wrench, being careful not to over-tighten. Over-tightening may cause dimples on the front of the middle connecting plate.



Attach the second set of top and bottom connecting bars to the inside edges of the left and middle front covers.

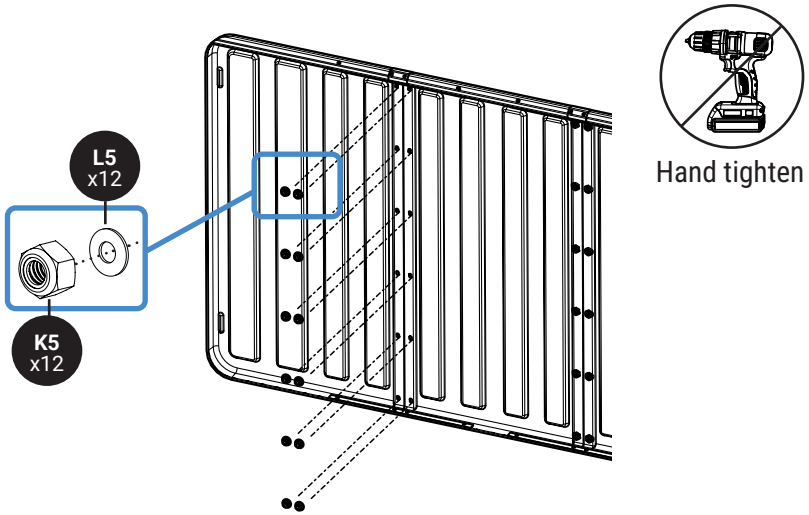


Add the second middle connecting plate to the front of the cover, ensuring the hook goes over the top. Secure to the edge with two D6 screws.



Secure the second middle connecting plate

Add the L6 washers and K6 nuts. **Hand tighten** the K6 nut being careful not to over-tighten. Over-tightening may cause dimples on the front of the middle connecting plate.



STEP 2: ATTACH STORM SHELL BACK TO THE WALL

Identify your wall supports to choose the appropriate installation method

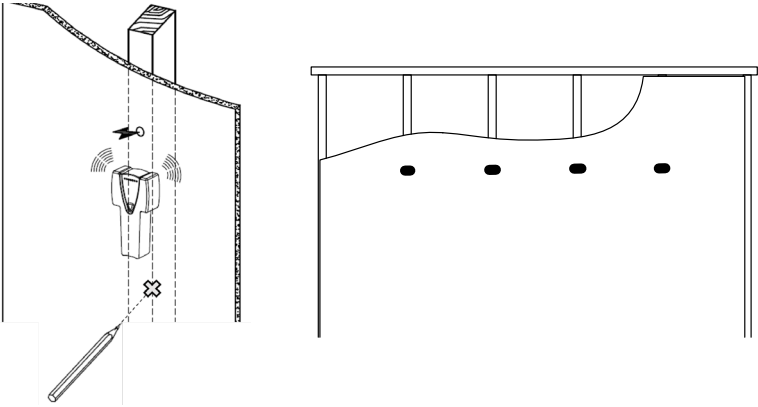
Wall Supports:	Installation:
Wood studs	A (page 18)
Solid concrete	B (page 25)
Metal studs	A* (page 18)
Hollow wall: C90 (cinderblock) or masonry wall less than 8" thick	B* (page 25)

**Note: Replace the hardware in the TV mount installation (Step A-10 or B-8) with toggle bolts. Refer to the specific steps for further details.*

A | WOOD STUD INSTALLATION

A-1 Locate and mark 4 studs (16" center)

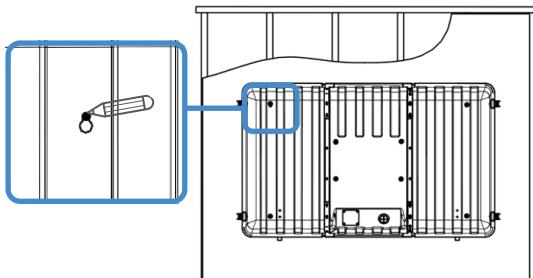
If the wall material is outdoor siding (vinyl or aluminum), stucco, or brick veneer, finding wood studs with a stud finder may be difficult due to multiple layers of construction cladding. In this case, you may need to locate the wood studs from the inside wall and take measurements to determine their position on the outdoor wall.



Note: If the desired position for your Storm Shell does not align with the studs, you can find an adapter mounting plates at www.stormshelltv.com/accessories.

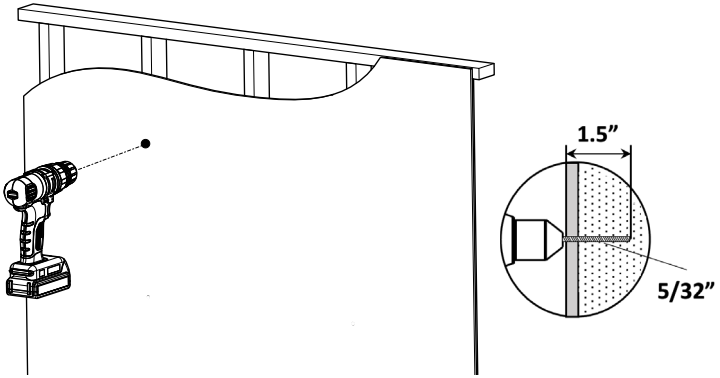
A-2 Place and mark

Hold the Storm Shell in the desired installation location and mark the top left keyhole with a pen or pencil.

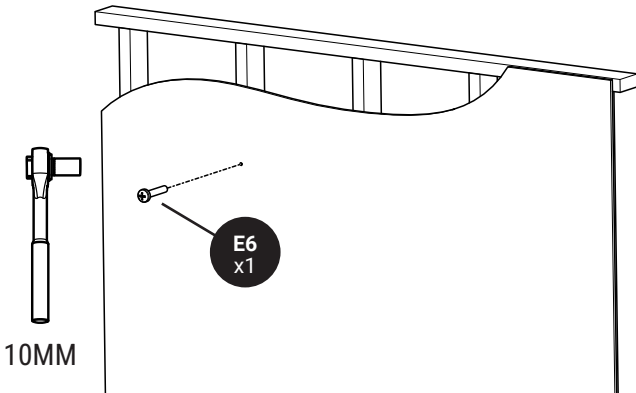


A-3 Drill the hole & insert screw

Remove the back of the Storm Shell and use a impact drill with a 5/32" drill bit to drill 1.5" deep at the top left mark.



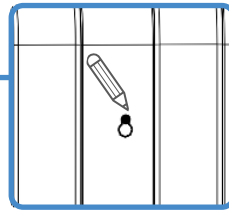
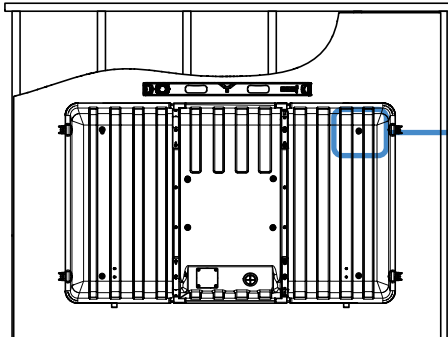
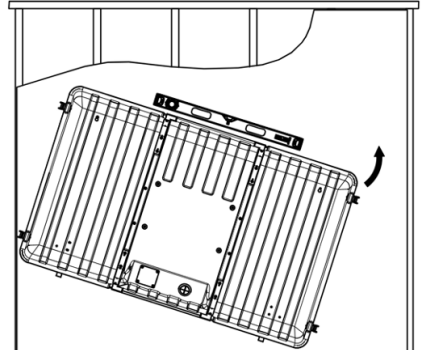
Use a 10mm socket wrench to install E6 into the hole you just created. Leave a small gap between the screw head and the wall.



A-4

Level Storm Shell

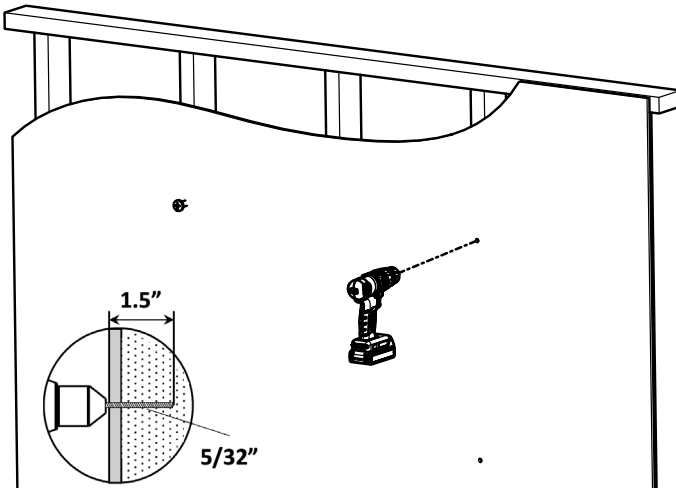
Hang the top left key-hole on the installed E6 screw. Place a bubble level on the Storm Shell and adjust until it is level. Once leveled, mark the position of the top right key-hole.



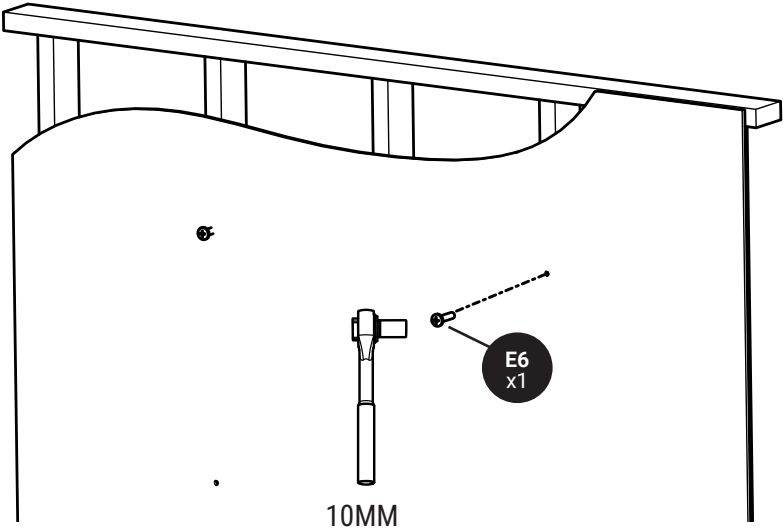
A-5

Drill the hole & insert screw

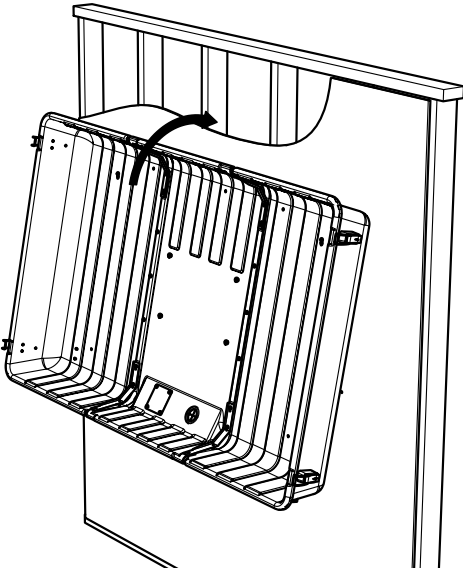
Remove the back of the Storm Shell and use a power drill with a 5/32" drill bit to drill 1.5" deep at the top right mark.



Use a 10mm socket wrench to install E6 into the hole you just created. Leave a small gap between the screw head and the wall.

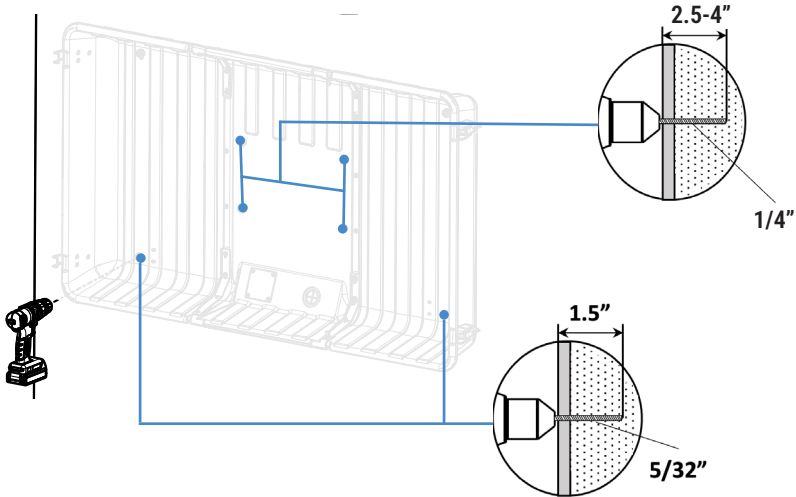


A-6 Hang Storm Shell back



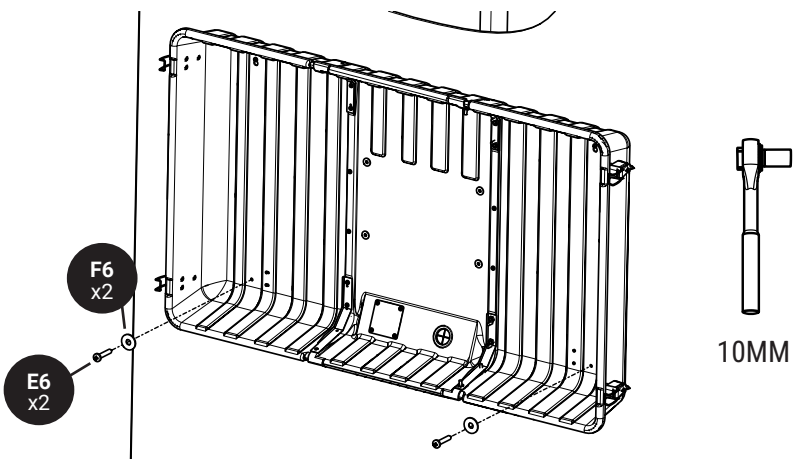
A-7 Drill additional holes, ensuring they align with the studs for secure installation.

- Drill through the two lower holes with 5/32" wood drill bit, 1.5 inches deep.
- Drill through the four TV bracket holes using a 1/4" wood drill bit. For installations over drywall, drill 2.5" deep (use bolt G6 in step A-10). For installations over outdoor siding, drill 4" deep (use bolt J6 in step A-10).



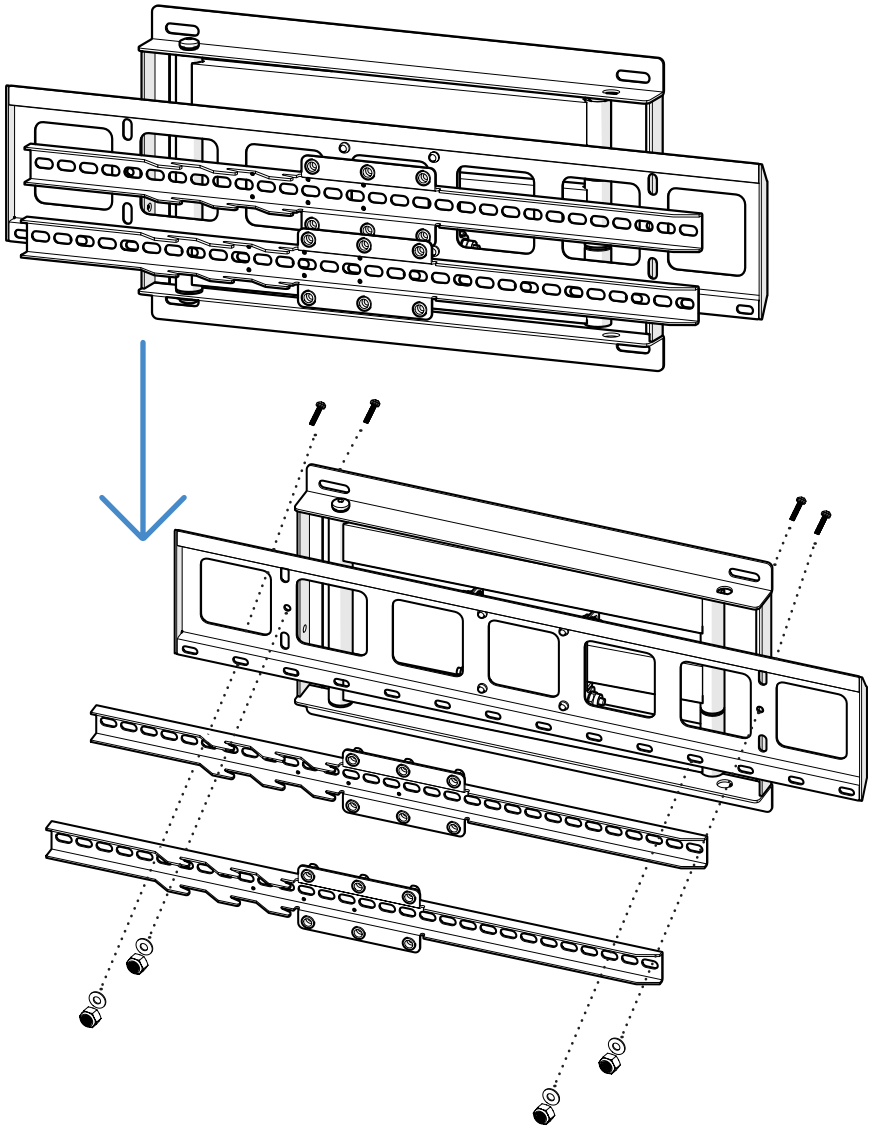
A-8 Secure bottom corners

Use a 10mm socket wrench to install E6 and F6 into the corner holes you just created.



A-9 **Separate vertical brackets from tv bracket**

Remove the four nuts, washers and screws that are holding the vertical brackets to the TV mount.

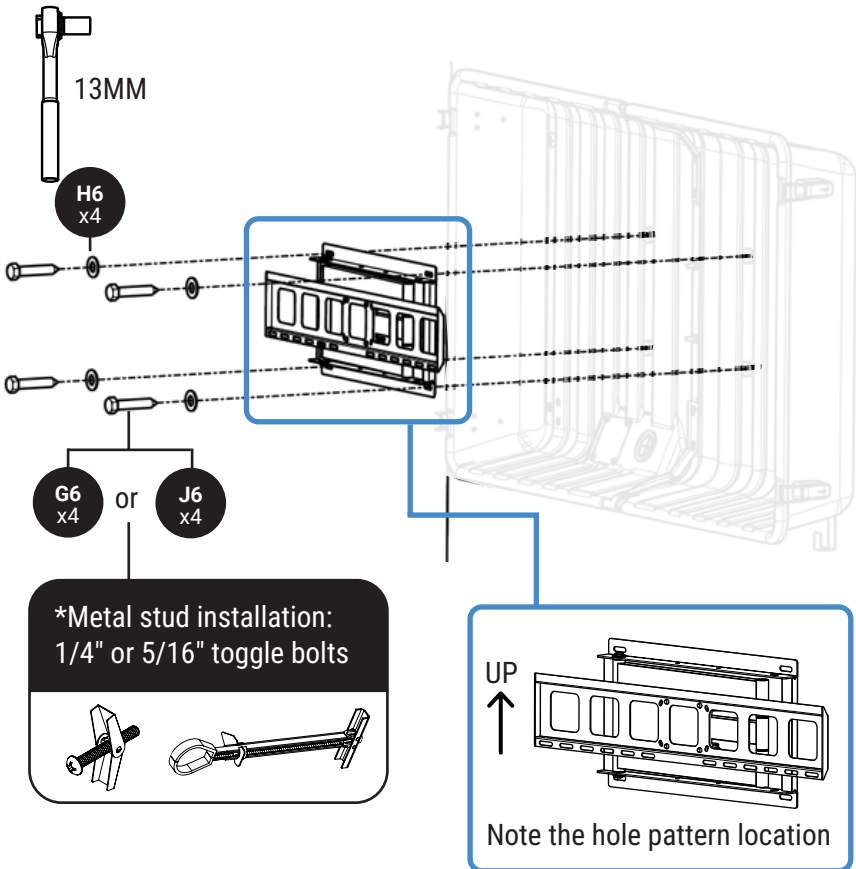


A-10 Mount the TV bracket

To secure the TV bracket to the middle of the Storm Shell, use four bolts and washers through the holes drilled in step A-7.

Mount the TV bracket using G6 or J6 lag bolts (or toggle bolts for metal studs), ensuring they penetrate wood studs at least 1.5 inches deep. If the wall material (such as siding, stucco, or brick veneer) is too thick to allow this, longer lag bolts will be required. Use 8mm, 1/4", or 5/16" lag bolts, as any of these sizes are suitable for installation.

**NOTE: For metal stud installation, replace G6/J6 with toggle bolts.*



B | CONCRETE WALL INSTALLATION

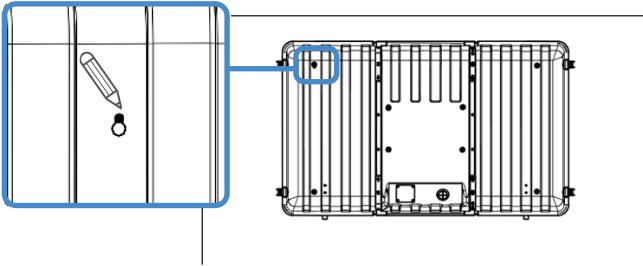


WARNING:

Be aware of electrical conduit, gas, or water pipes!

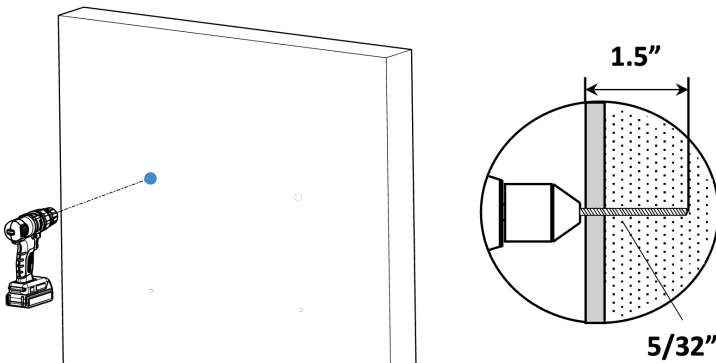
B-1 Place and mark

Hold Storm Shell in the desired installation location and mark the top left key-hole with a pen or pencil.

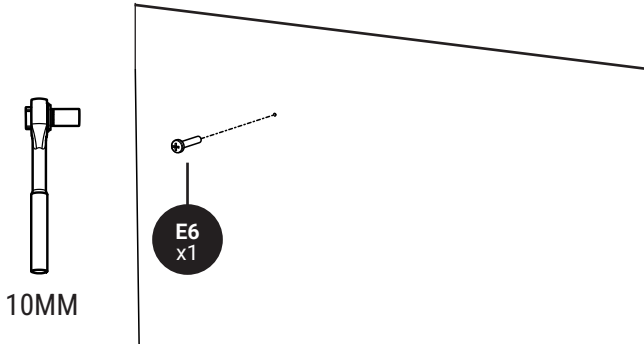


B-2 Drill the hole & insert the screw

Remove the back of the Storm Shell and use a hammer drill with a 5/32" masonry drill bit to drill 1.5" deep at the top left mark.

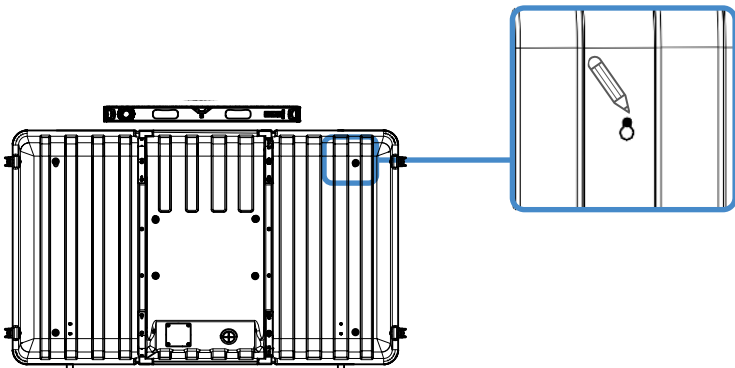
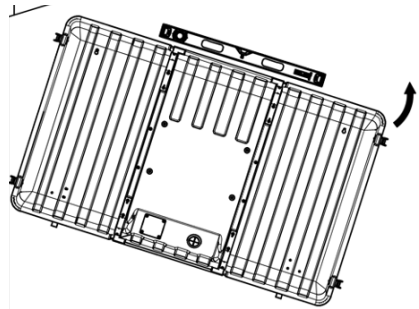


Use a 10mm socket wrench to install E6 in the hole you have just created. Leave a small gap between the screw head and wall.



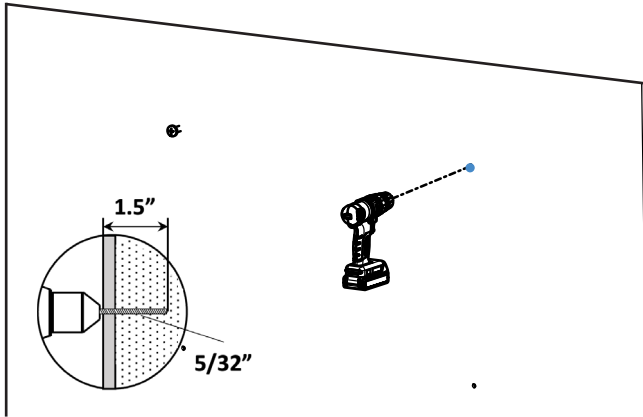
B-3 Level Storm Shell

Hang the top left key-hole on the installed E6 screw. Place the bubble level on the Storm Shell and adjust until it is level. Then, mark the position of the top right key-hole.

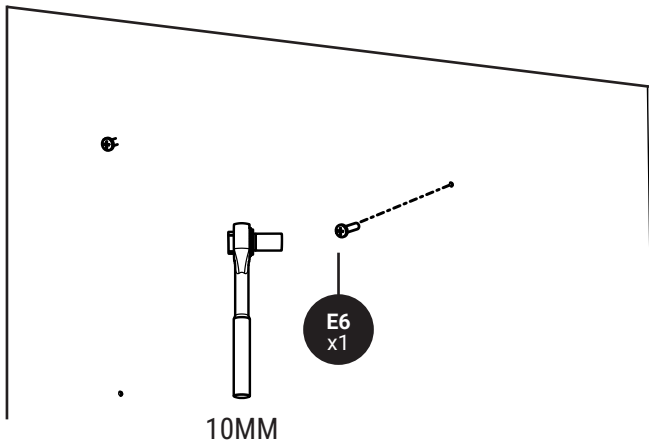


B-4 Drill the hole & insert screw

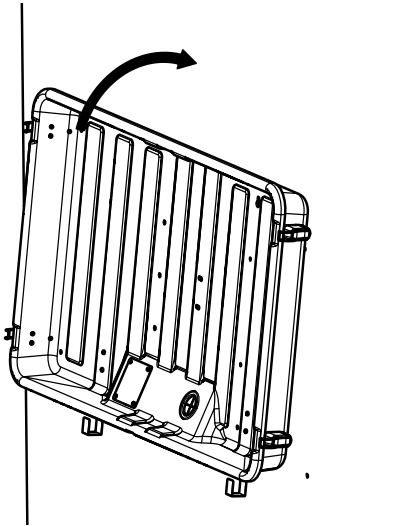
Remove the back of the Storm Shell and use a hammer drill with a 5/32" drill bit to drill 1.5" deep at the top right mark.



Use a 10mm socket wrench to install E6 into the hole you just created. Leave a small gap between the screw head and the wall.

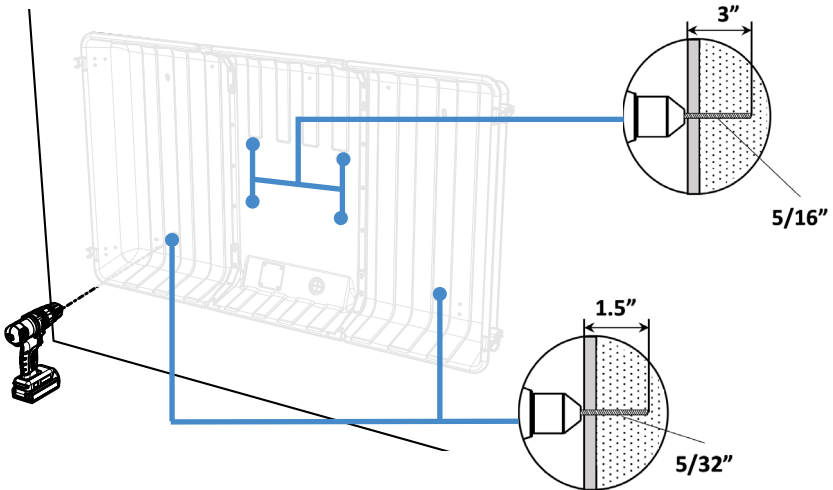


B-5 Hang Storm Shell back



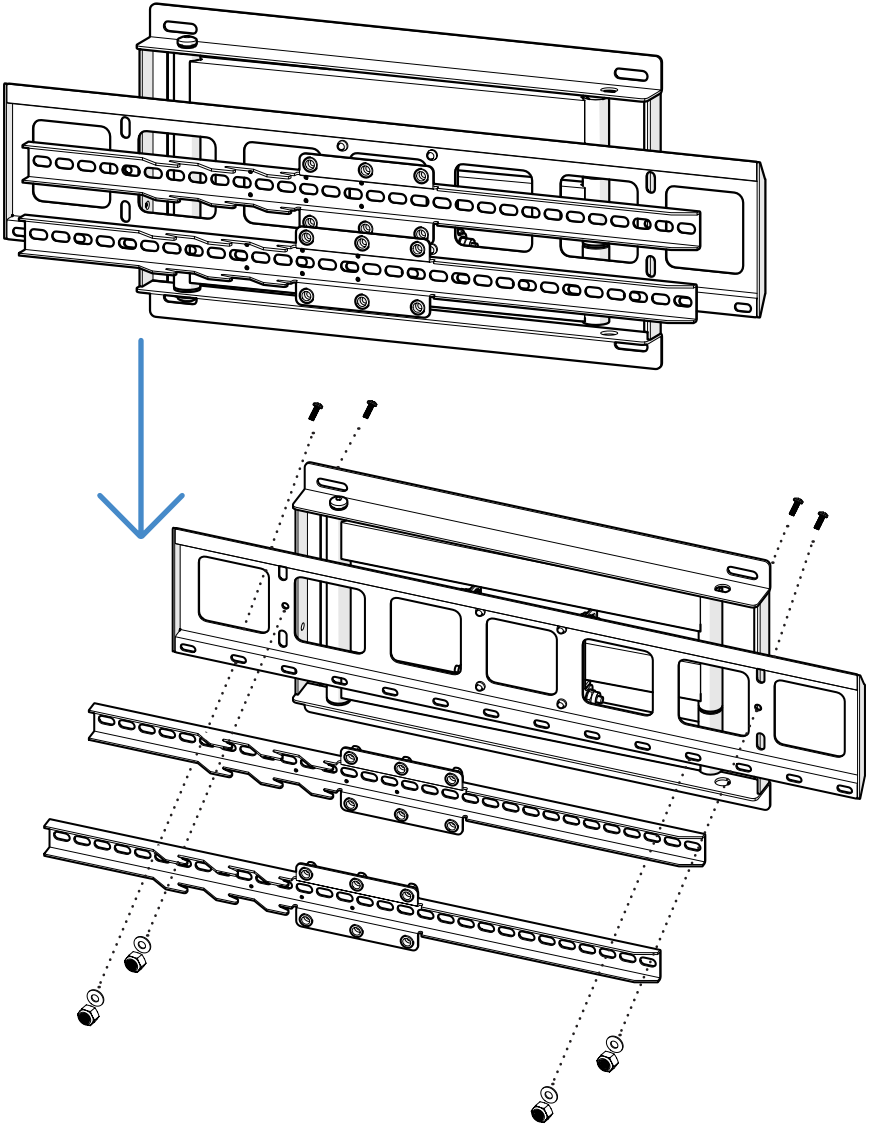
B-6 Drill additional holes

- Drill through two lower holes with $5/32$ " concrete drill bit, 1.5 inches deep.
- Drill through the four TV bracket holes with $5/16$ " concrete drill bit, 3.0 inches deep.



B-7 **Separate vertical brackets from tv bracket**

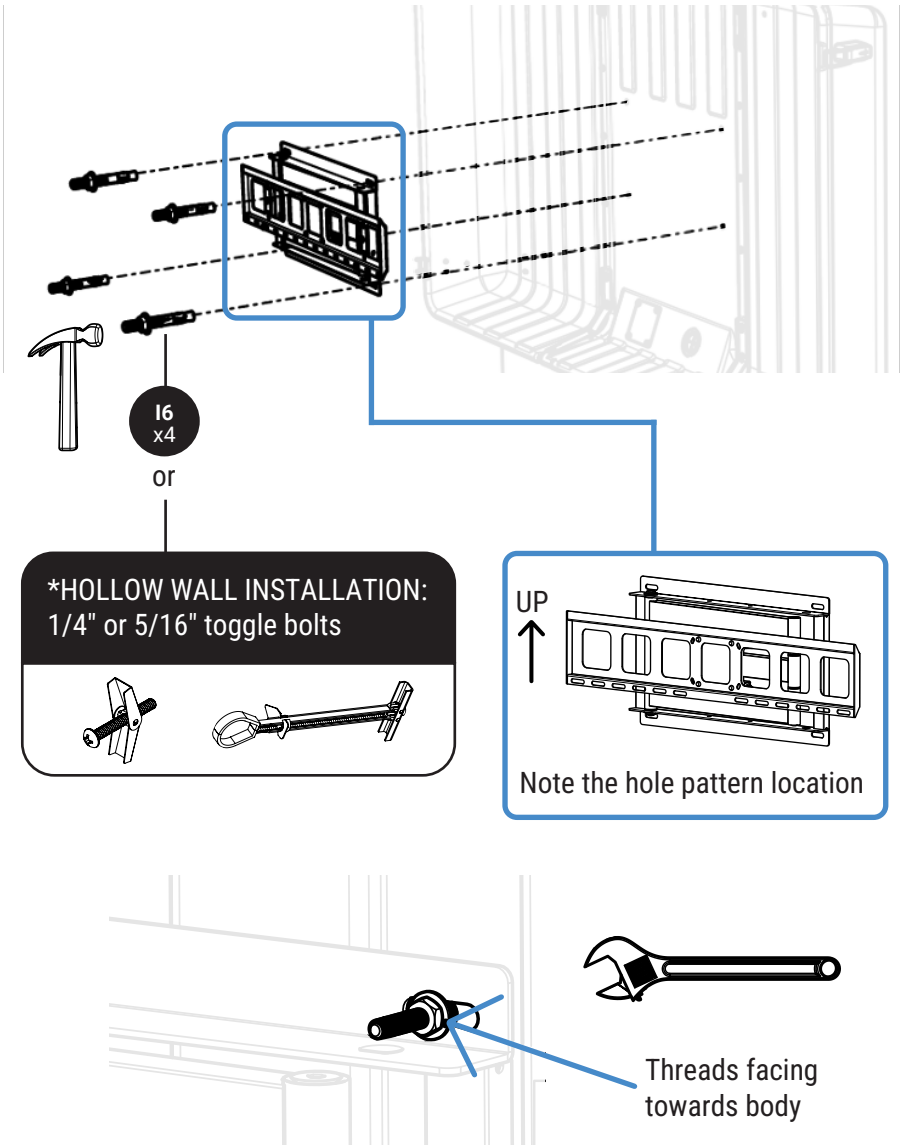
Remove the four nuts, washers and screws that are holding the vertical brackets to the TV mount.



B-8 Mount the TV bracket

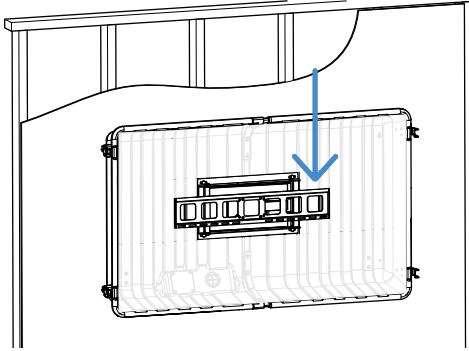
Tap-in I6* with hammer, then tighten nuts with crescent wrench.

**NOTE: If the wall is less than 8" thick or is hollow C90 (Cinder Block) you will need to replace the I6 with toggle bolts.*

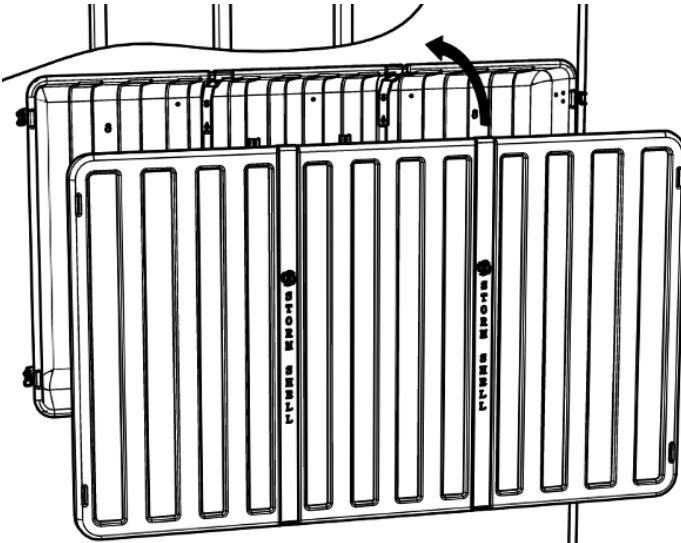


STEP 3: TEST STORM SHELL

- 3-1 Before hanging the TV, conduct a wall integrity test**
After assembling the mounting bracket, test its stability by applying downward pressure (equivalent to the TV's weight) to ensure proper installation.



- 3-2 Install Storm Shell front - check the fit**



STEP 4: INSTALL BRACKETS ON YOUR SOUNDBAR & TV

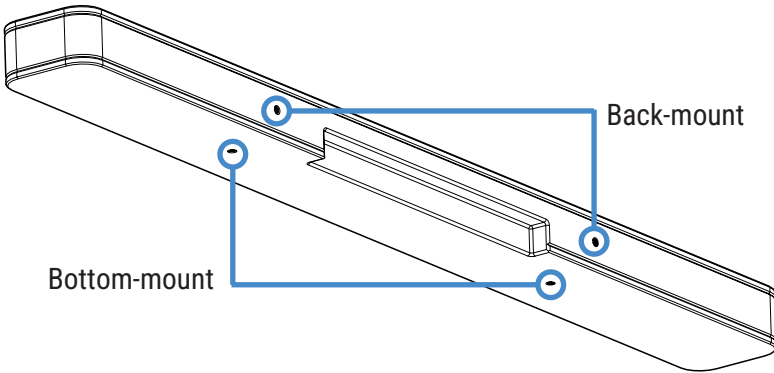
4-1 Determine the soundbar mounting method

Examining the mounting holes on the back or bottom of your soundbar. Follow the appropriate installation instructions based on the type of holes:

A: Back-mount holes with threaded inserts – see step 4-2

B: Back-mount holes with keyhole slots – see step 4-2

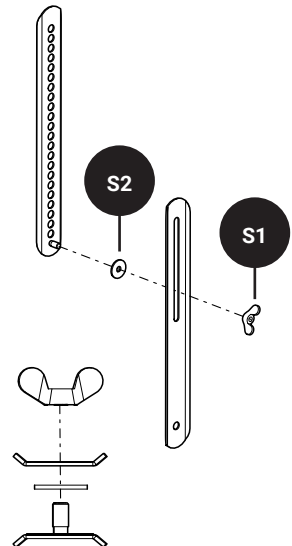
C: Bottom-mount holes – see step 4-3 (page 35)



4-2 If using back-mount holes (Options A or B):

Connect each lower SB bracket to each upper SB bracket using an S2 spacer and an S1 wingnut. Ensure the flat sides of the brackets are facing toward each other, as shown here.

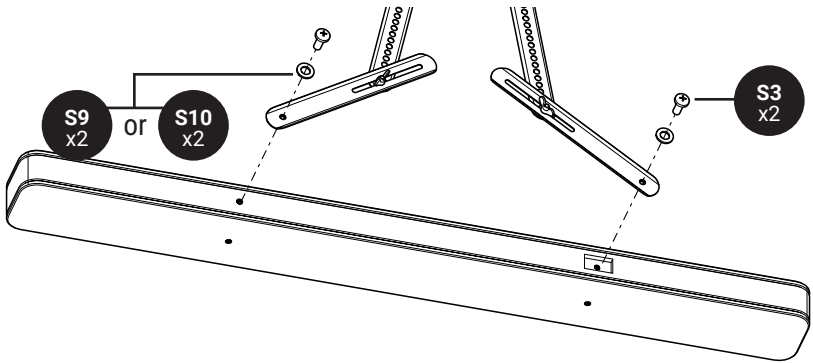
For threaded inserts, refer to page 33.
For a keyhole insert, refer to page 34



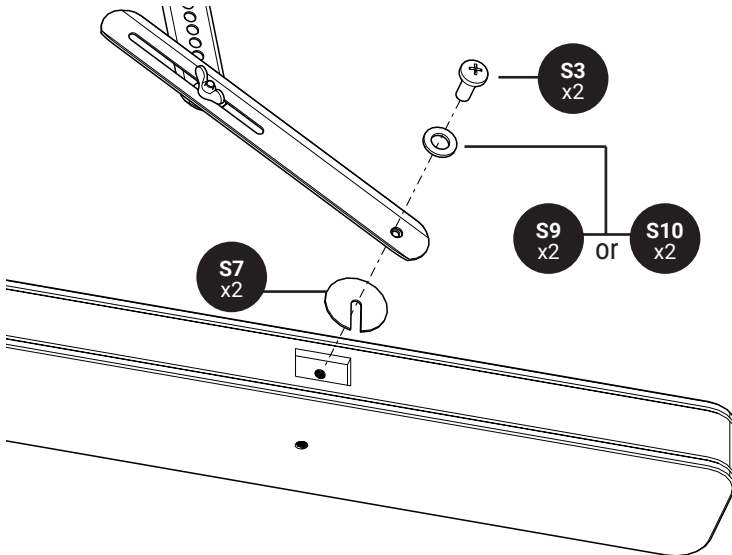
- **Option 1: Threaded inserts**

Choose the screws that fit your soundbar's threaded inserts. M4, M5, M6 and 1/4-20 screws are provided in various lengths. If the proper screws are not included they may be included with your sound bar or may be purchased at your local hardware store.

Attach the lower SB bracket to the soundbar using the selected screws and the corresponding washers.

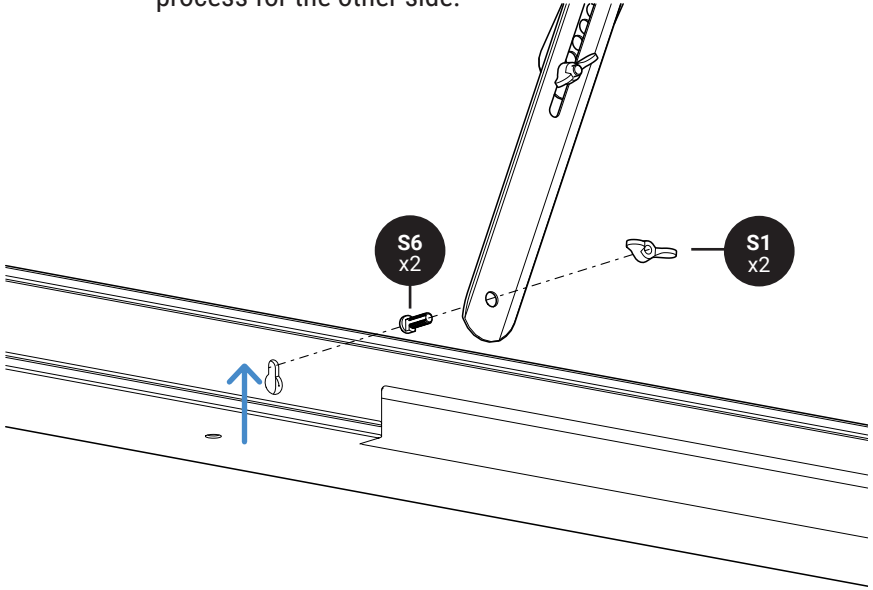


If the lower SB bracket does not sit flush against the soundbar, insert a fender washer between the screw and the bracket to ensure a secure fit.

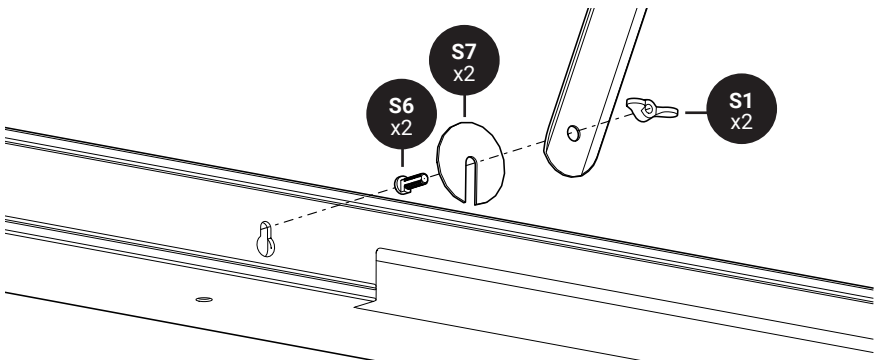


- **Option 2: Keyhole**

Slide the keyhole screw head into the keyhole on the soundbar by first inserting it into the larger part of the hole. Align the keyhole screw so that it slides up into the narrower section of the keyhole. Attach the lower SB bracket and secure it with the wing nut. Repeat this process for the other side.



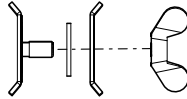
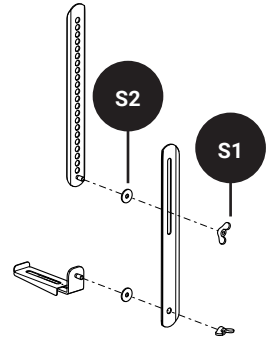
If the lower SB bracket does not sit flush against the soundbar, insert a fender washer between the screw and the bracket to ensure a secure fit.



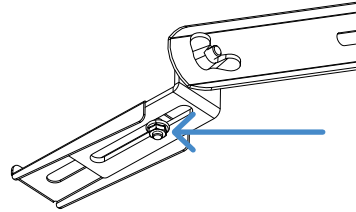
4-3

If using bottom-mount holes (Option C):

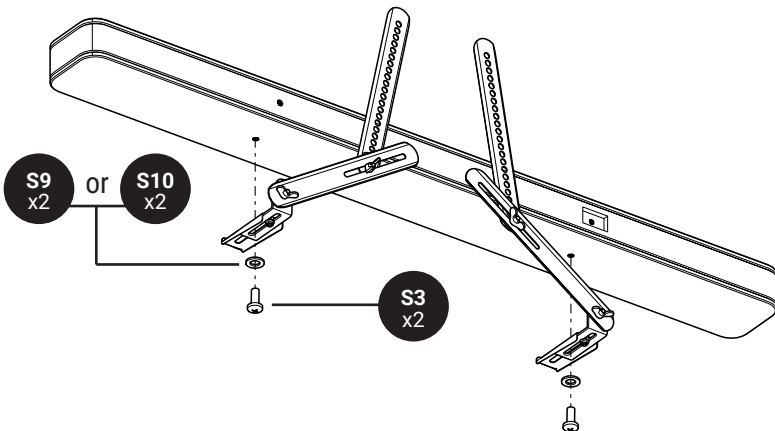
Connect each lower SB bracket to each upper SB bracket and SB bracket support using an S2 spacer and an S1 wingnut. Ensure the flat sides of the brackets are facing toward each other, as shown here.



Loosen the nut to adjust and expand the bracket support to fit your soundbar. Once it is correctly sized, tighten the nut to secure it in place.



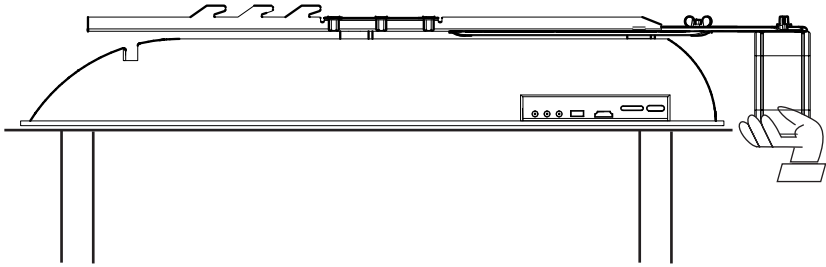
Use the screw and washer to attach the brackets to the bottom mounting holes of the soundbar. M4, M5, M6 and 1/4-20 screws are provided in various lengths. If the proper screws are not included they may be included with your sound bar or may be purchased at your local hardware store.



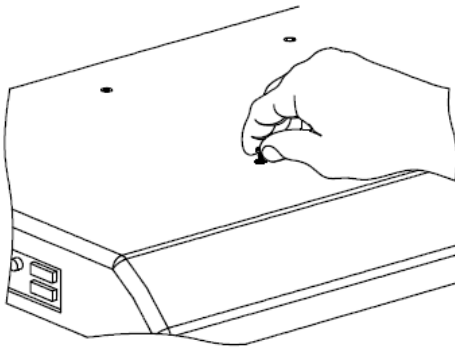
STEP 5: ATTACH TV MOUNT

You will want to work on a flat surface!

Work on a flat surface to ensure the brackets are level. This helps prevent alignment issues when mounting. If your soundbar is thicker than your TV, position it at the edge of a table or flat surface as demonstrated, and keep it steady while installing the hardware.



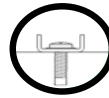
5-1 Test which screw size (M4, M6, M8) will work with your TV.



GOOD FIT



With spacer



Without spacer

BAD FIT



Too long



Too short

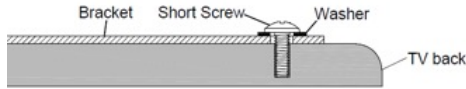


Too small

5-2 Determine if spacers are needed

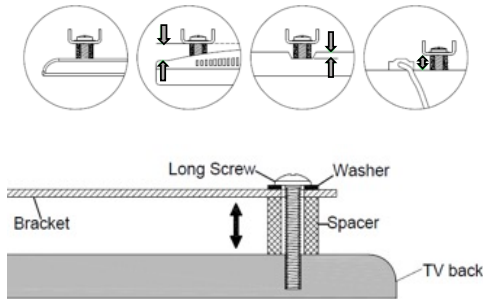
Option 1: Attachment without additional spacers

Use this attachment method if the TV has a flat back.



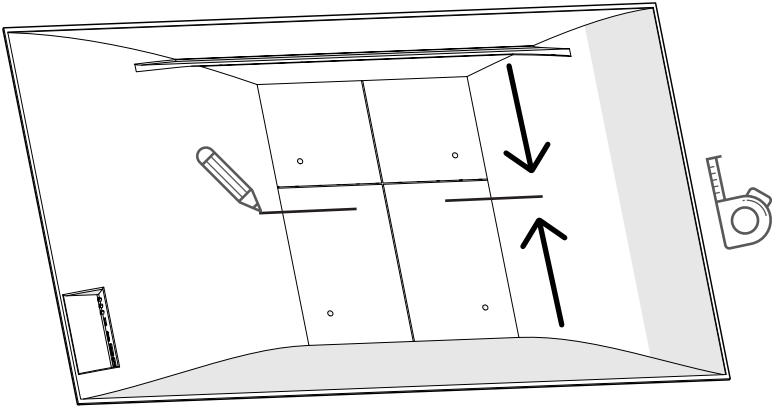
Option 2: Attachment with additional spacers

Use this attachment method if the TV has an irregular, recessed, or obstructed back.



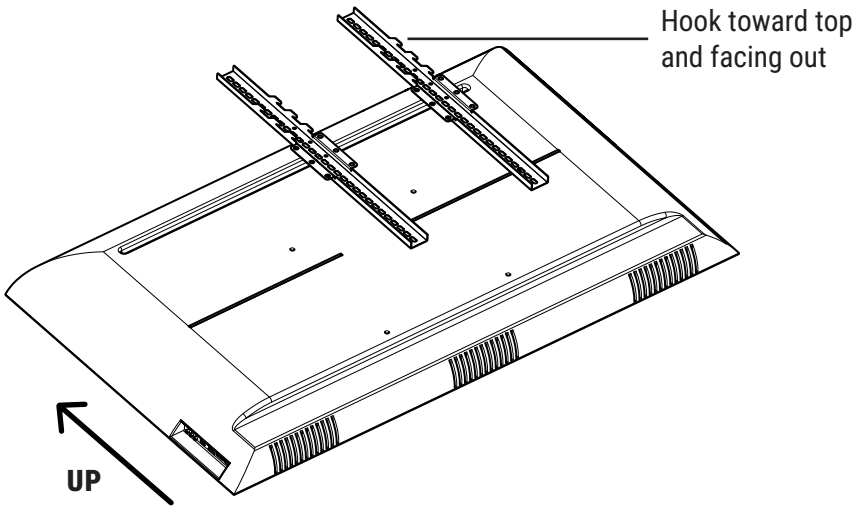
Note: The provided screws will work in most cases. However, if multiple spacers are needed, you may require longer screws, which can be purchased at your local hardware store.

5-3 Measure & mark the vertical center of the TV



5-4 Place the vertical brackets

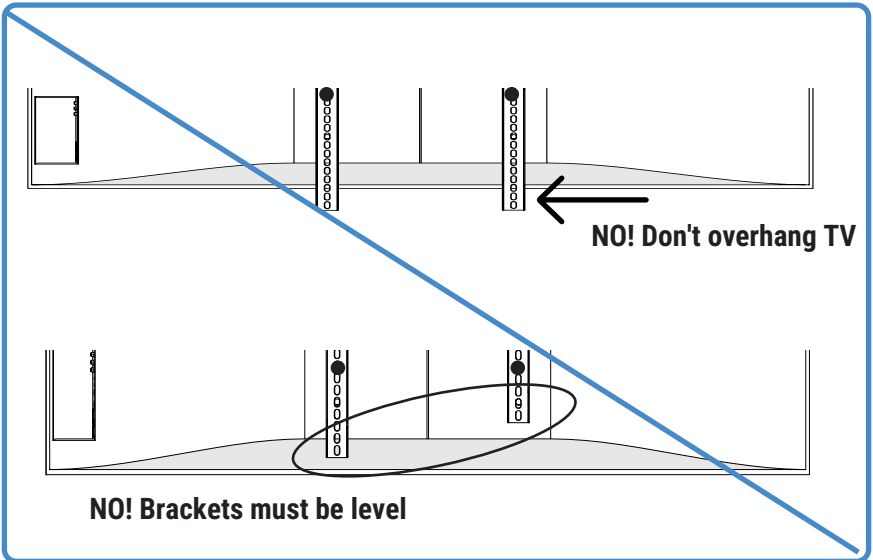
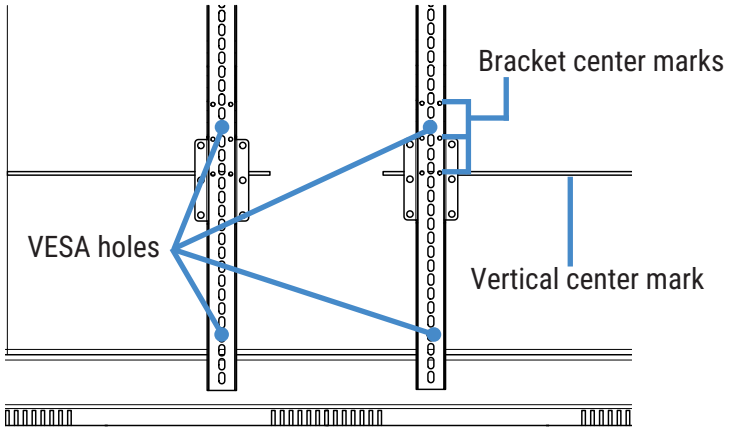
Align the vertical brackets with the VESA holes on your TV. Position the hooks toward the top of the TV, ensuring they are facing outward.



5-5 Align the bracket centering marks

Place one of the bracket centering marks over the vertical center mark on the TV. Ensure the two brackets are level with each other.

- DO NOT let the top or bottom of the brackets overhang the TV!



5-6 Attach the brackets to the TV

Now that you have aligned the vertical bracket, it's time to attach it using one of the following methods:

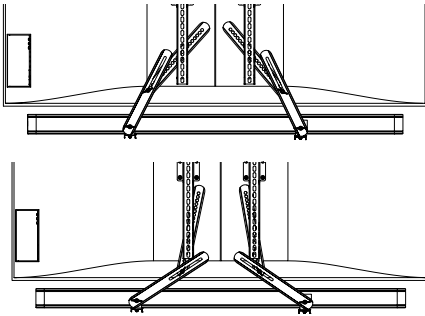
Option 1: attach without additional spacers

Option 2: attach with additional spacers

Adjust the hole location and angle of the soundbar brackets to position your soundbar as desired. Refer to the images below for guidance on achieving the most secure bracket placement.

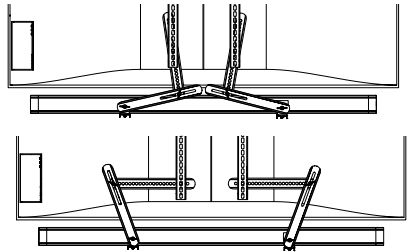
NOT ATTACHING A SOUNDBAR? Follow these steps but omit the soundbar, as well as the S13 and S14 spacers.

Recommended Bracket Placement

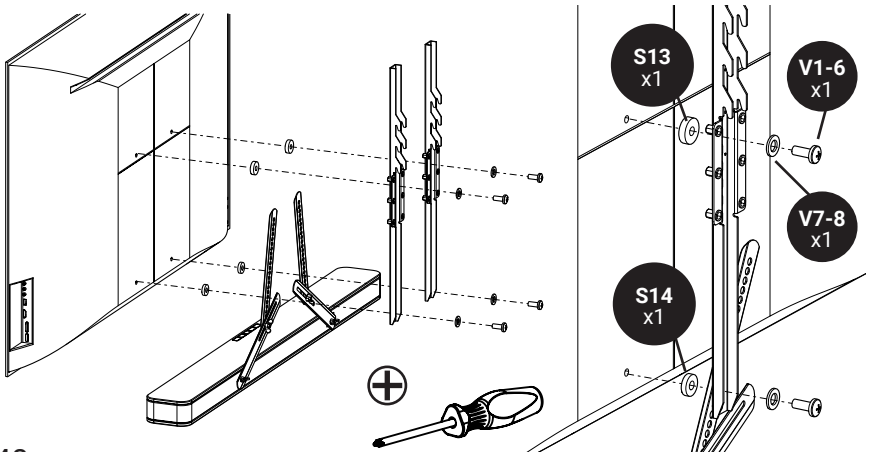


Not Ideal Bracket Placement

Horizontal brackets are less secure and more likely to sag.

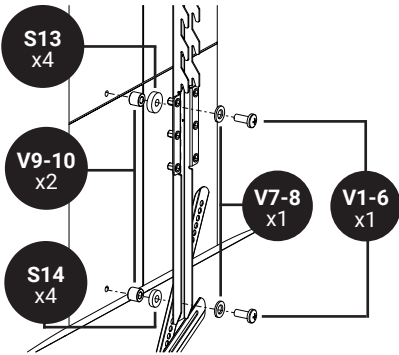


• Option 1: Attach without additional spacers

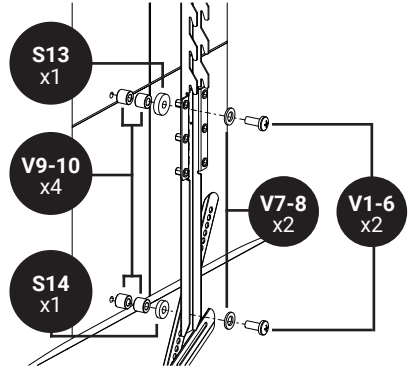


- **Option 2: Attach with additional spacers**

1 spacer



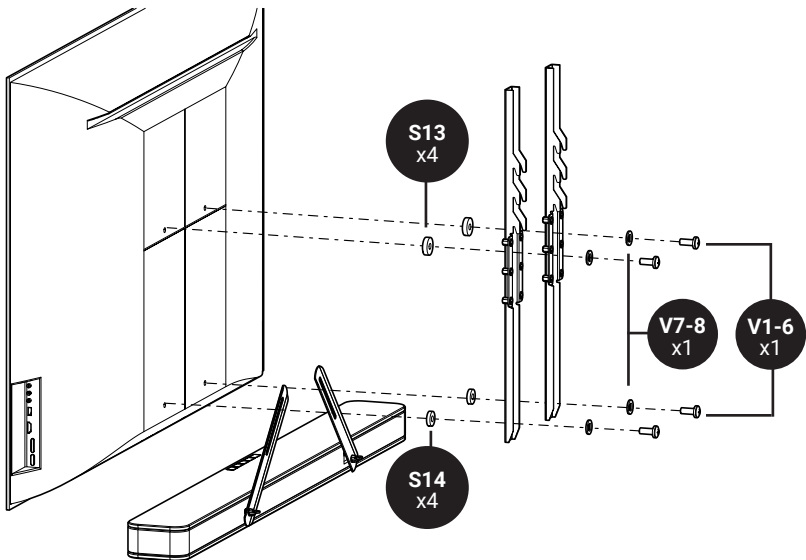
2 spacers

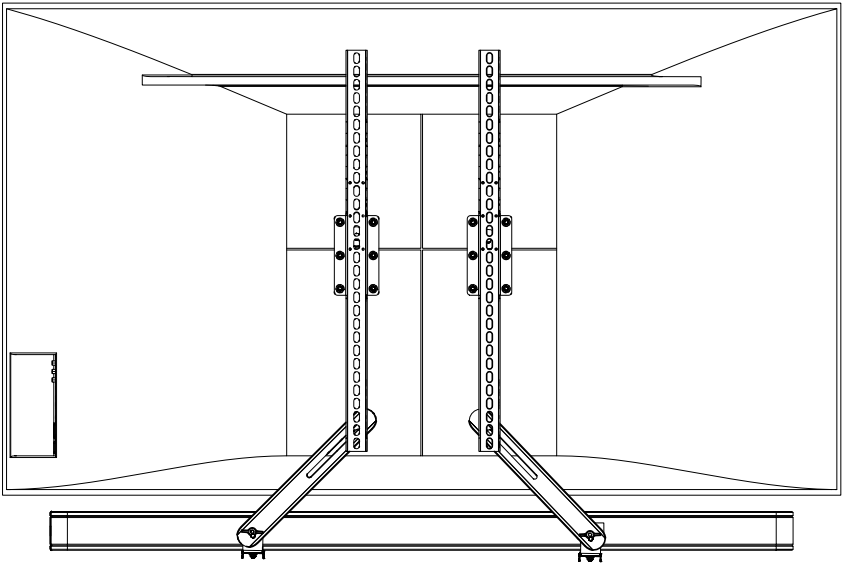


Each figure lists a range of hardware (ex: V1-6). The hardware kit includes a variety of sizes of screws and spacers since every TV is different. Use the hardware that you selected on page 36 to ensure your TV is properly secured.

ALTERNATE INSTALLATION

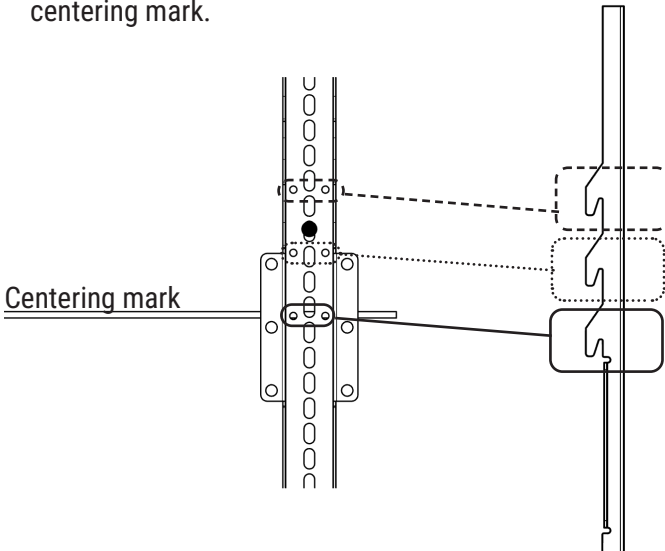
In some situations it may be simpler to exclude the upper SB bracket, please refer to the installation process shown in the illustration below.





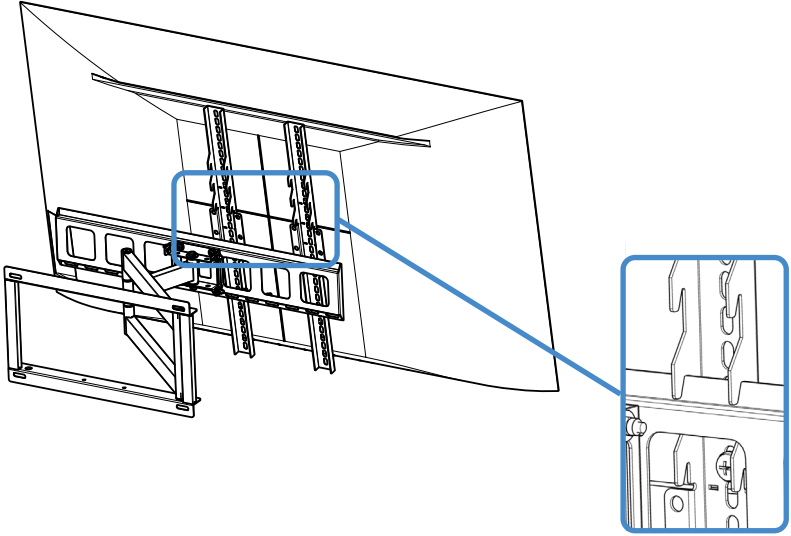
5-7 Determine which hook to use

Identify which bracket centering mark aligns with the vertical center mark you made on your TV. Use the top hook to align with the top centering mark, middle hook for the middle centering mark, and the bottom hook to align with the bottom centering mark.

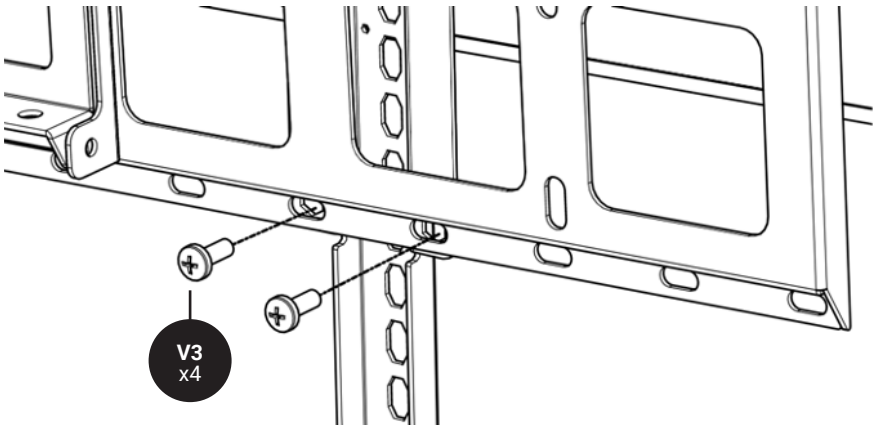


5-8 Hang and secure the TV to the TV bracket

Holding the TV with the top of the screen tilted toward the mounting plate, slide the hook of the right and left brackets over the upper lip of the mounting plate. Then gently lower the TV. Ensure the TV is centered horizontally on the TV bracket.



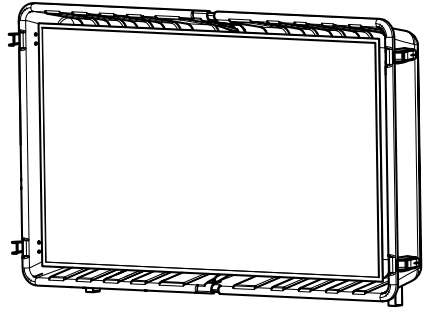
Attach securing screws



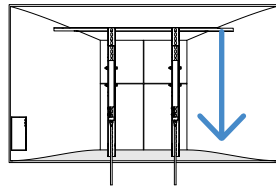
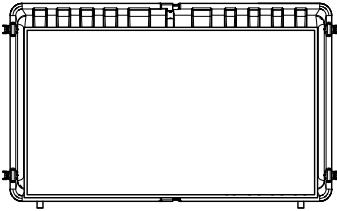
5-9

Check the fit

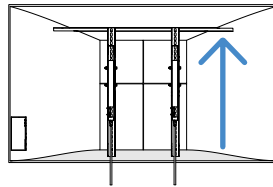
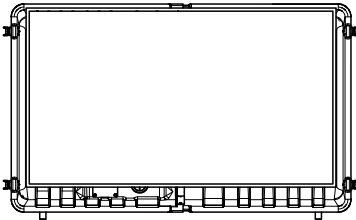
Your TV & soundbar should be in the center of your Storm Shell. Adjust vertical bracket position if necessary:



- **TV & soundbar sits low in the Storm Shell Enclosure:** adjust the vertical hook brackets down and re-hang.

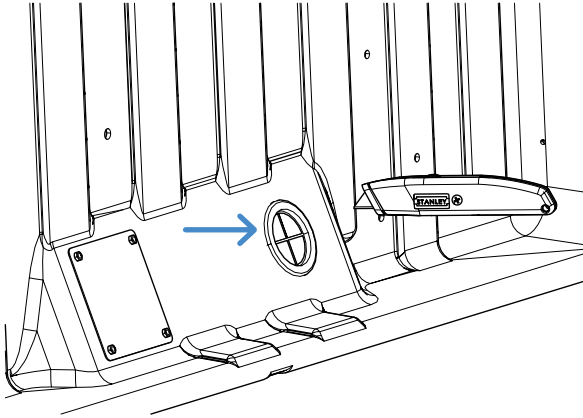


- **If TV & soundbar sits high in the Storm Shell Enclosure:** adjust the vertical hook brackets up and re-hang.

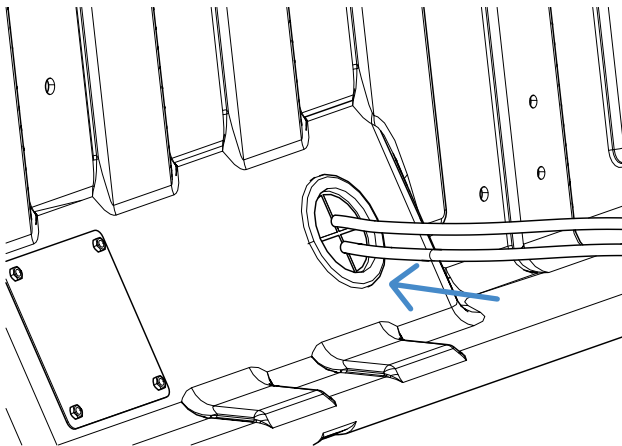


5-10 Cut cable grommet along the x pattern

Using a box cutter, follow the X pattern along the grommet. This will allow you to push the cords through.



5-11 Route cords through the grommet



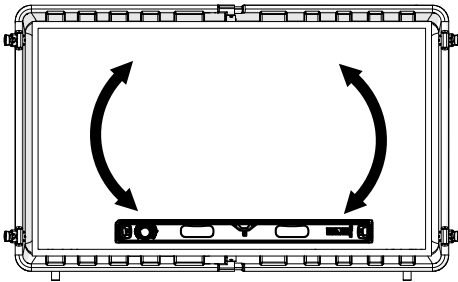
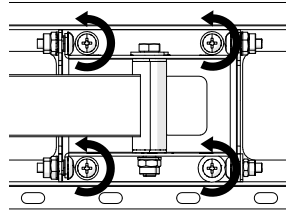
STEP 6: ADJUST TV LEVEL & TILT

Check the level

Your TV should be in the center of your Storm Shell.

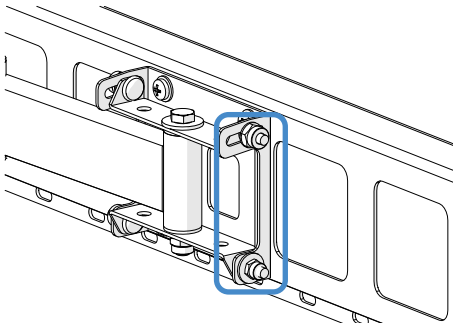
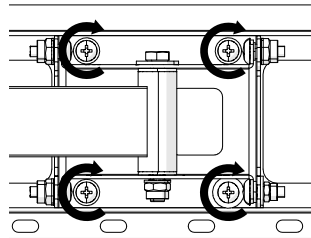
Level your TV if necessary.

- 1 Behind the TV, loosen the 4 screws on the TV bracket. **DO NOT REMOVE THE SCREWS!**



- 2 Adjust the TV by gently lifting the bottom corner that is lower. Check the position with a bubble level or a tape measure.

- 3 Once TV is level, tighten the 4 screws.

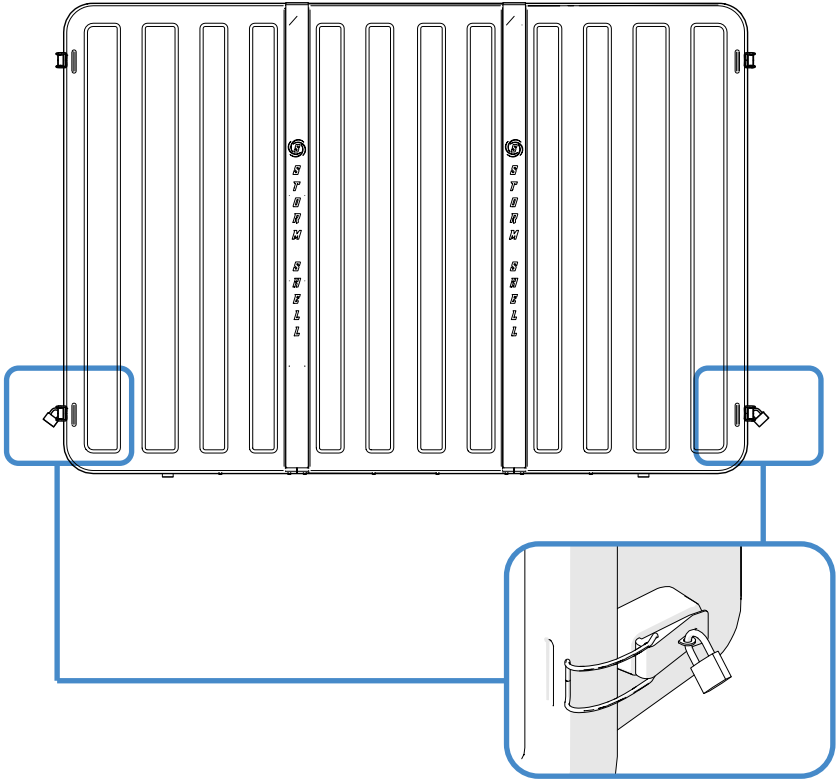


Adjust the tilt

To adjust the forward tilt of the TV, use the 4 side screws on the bracket. The tilt can be adjusted from -15° to 5° .

STEP 7: LOCKING YOUR STORM SHELL

With the front cover installed, fasten the four buckle latches. Place locks through the loops on the bottom two latches to secure them.





Need help?

435-752-6611

cs@stormshelltv.com

stormshelltv.com