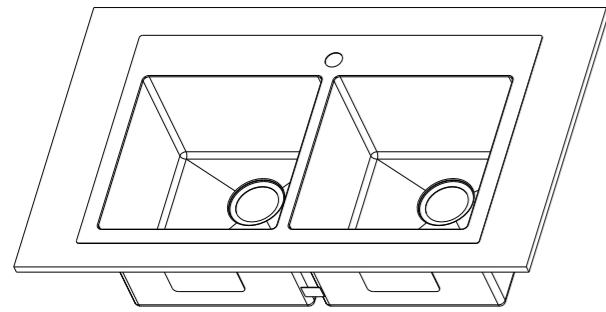
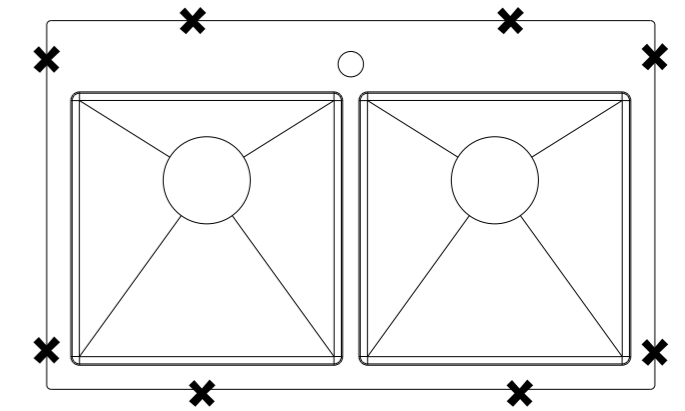
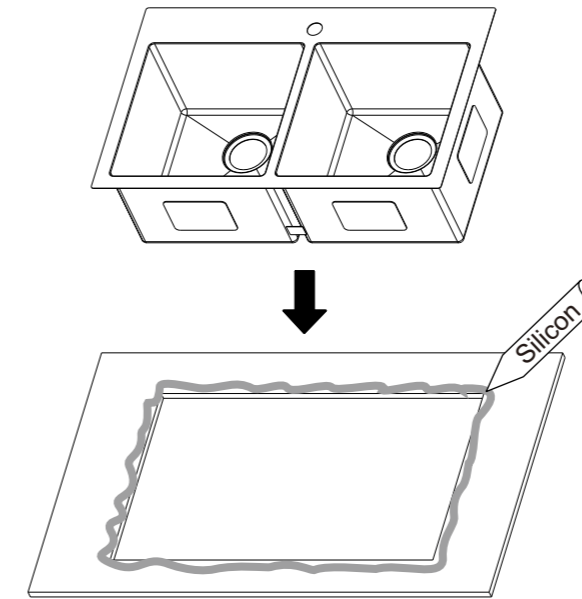


# Installation Instructions For Topmount Sinks



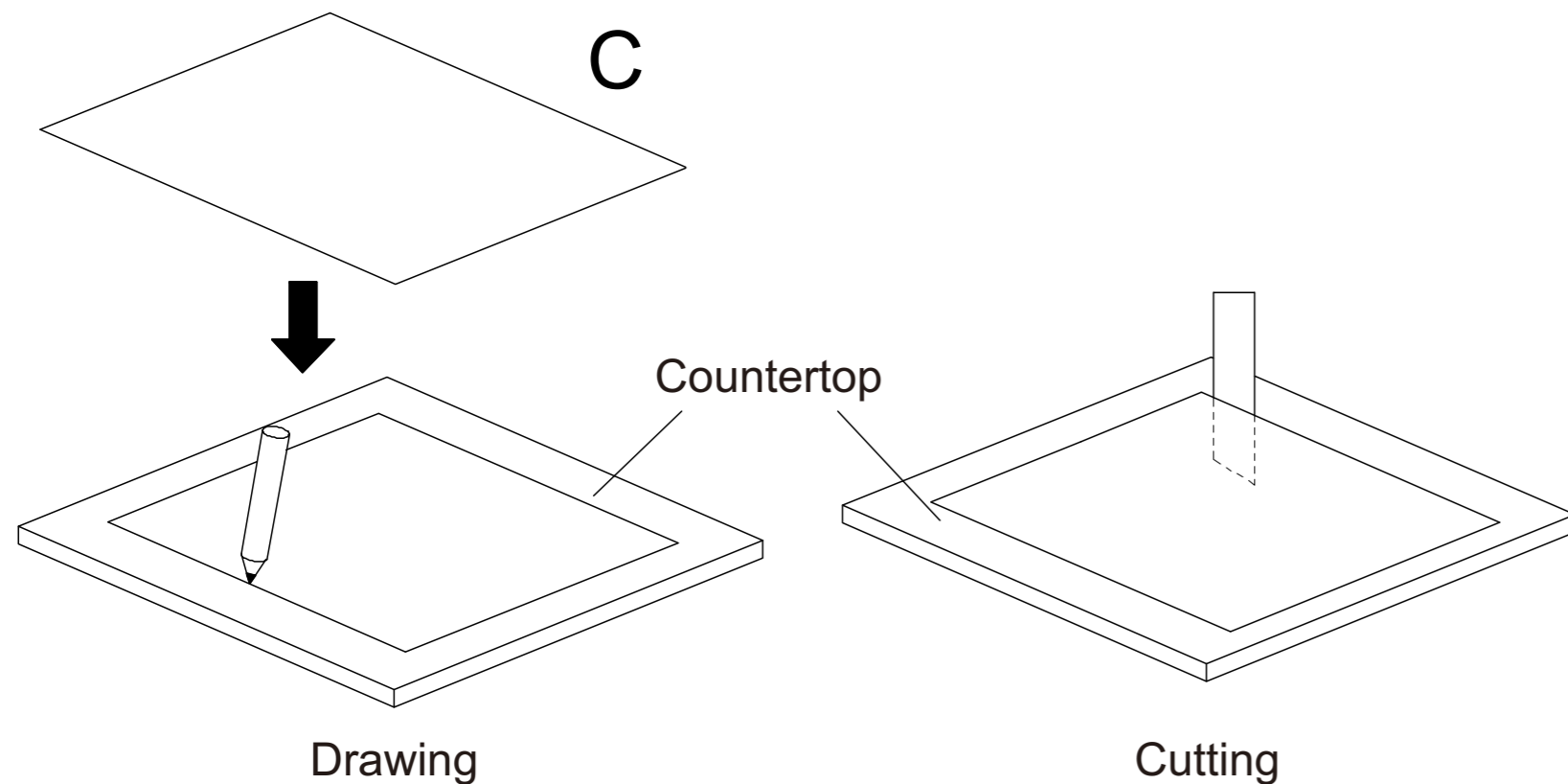
No.	Description	Picture	Qty
A	Kitchen Sink		1
B	Topmount Clips		1
C	Cutout Template		1

## Step 2: Install the Kitchen Sink

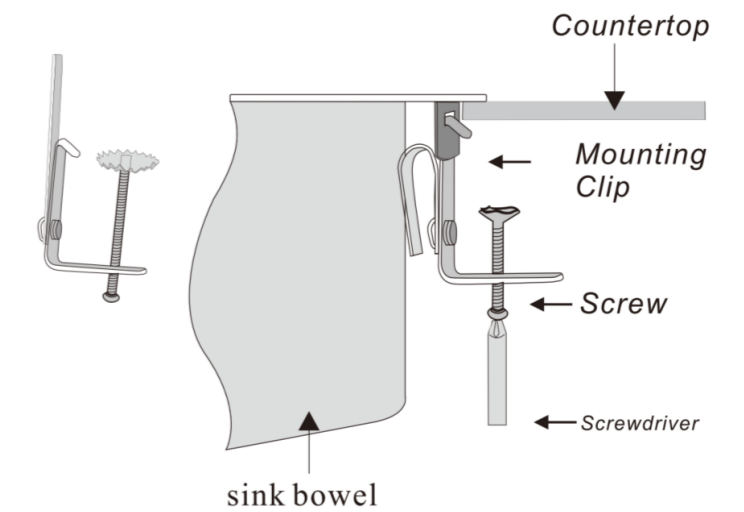


## Step 1: Countertop Cutout

Cutout the perimeter of the template.



Attach the mounting hardware to the prongs protruding from the underside of the sink. Make sure the hooked side of the mounting clip is facing away from the sink. The small iron piece on the back of the hook needs to be bent before installation and used to form a pivot point with the sink bowl.



## Step 3: Silicone

Fill half of the sink with water to hold it down until the silicone is dry.

